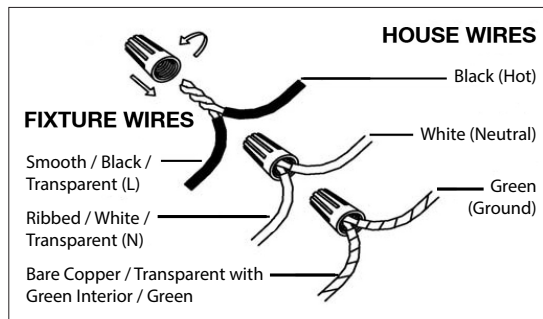
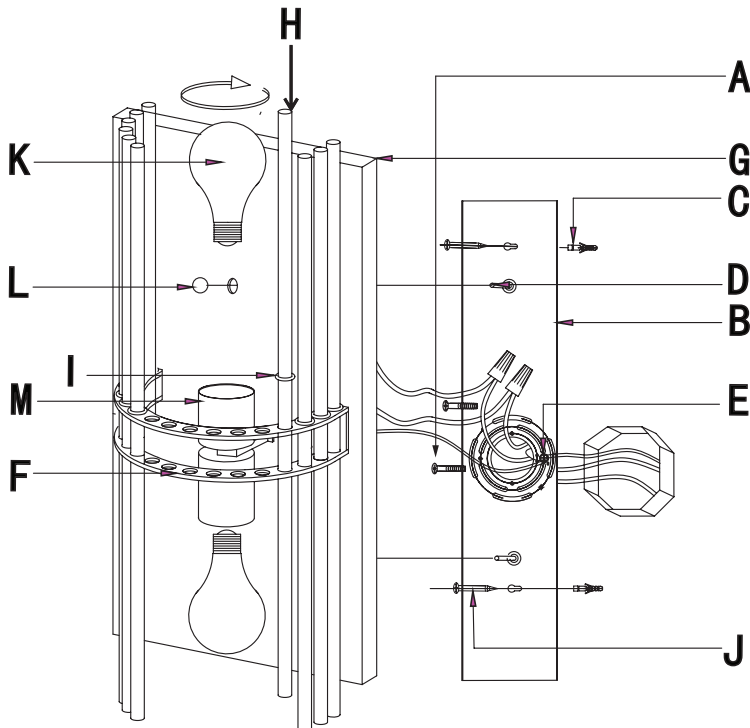


Assembly Instructions: 4015-BA1 CH (Luciano)

IMPORTANT:

- ALL INSTALLATION WORK SHOULD BE DONE BY ACCREDITED PROFESSIONAL.
- SHUT OFF POWER SUPPLY AT FUSE OR CIRCUIT BREAKER!
- USE ONLY THE SPECIFIED BULBS. DO NOT EXCEED THE MAXIMUM WATTAGE!

For Customer Service, contact the place of purchase.



PREPARING FOR INSTALLATION

Carefully remove all of the contents from the carton. See the important notes above. Shut off the power at the circuit breaker and completely remove the old fixture from the wall, including the old mounting strap.

Hold mounting plate (B) up against the wall and align the holes on the junction box with the holes on mounting plate (B). Use a level to make sure that mounting plate (B) is straight. Mark the wall with a pencil to indicate where the holes near the ends of mounting plate (B) line up on the wall. Place mounting plate (B) to the side. Drill small holes into the wall where the pencil marks are. Insert wall anchors (C) into the holes. Hold up mounting plate (B) to the wall. Pull the house wires through the center of mounting plate (B). Place mounting plate (B) over the junction box so that mounting screws (D) protrude through the front of the mounting plate and secure mounting plate (B) to the junction box with junction box screws (A) and a screwdriver. Tighten the screws securely. Secure mounting plate (B) to the wall by screwing anchor screws (J) into corresponding wall anchors (C).

CONNECTING THE WIRES

Attach the fixture's wires to the power supply wires from the junction box. Connect black (hot) to smooth/black/transparent (L); white (neutral) to ribbed/white/transparent (N); ground (green) to bare copper/green/transparent with green interior. Twist the ends of the wire pairs together, and then twist on a wire connector. Make sure all twists are in the same direction. If there is no ground wire (green or copper) from the junction box, locate ground screw (E) on the mounting bracket/mounting strap and wrap the fixture's ground wire around the green ground screw (E). Use a screwdriver to secure ground screw (E) onto the mounting bracket/mounting strap. Tuck all wires neatly into the junction box.

FINISHING THE INSTALLATION

Place backplate (G) over mounting plate (B) so that mounting screws (D) protrude through the holes in the front of backplate (G). Thread deco nuts (L) onto the threads of mounting screws (D). Twist until backplate (G) is snug against the wall.

Note: Complete the remaining steps **after** the fixture has been hung.

Install bulbs (K - not provided) into sockets (M).

Crystal rods (H) are individually wrapped. Please note: adjusting the placement of the rubber bands (I) on rods (H) will determine the position of rods (H) when inserted into rod holders (F). This will allow you to customize the overall look of the fixture.

Slide crystal rods (H) into rod holders (F).

Your installation is now complete. Turn on the power and test the fixture.

CLEANING TIPS

Treat the fixture gently! Regular cleaning will reduce the need for deep cleaning. For regular cleaning, turn off the light and wipe down the fixture with a clean lint-free cotton or microfiber cloth. Never spray cleaner directly onto the fixture.