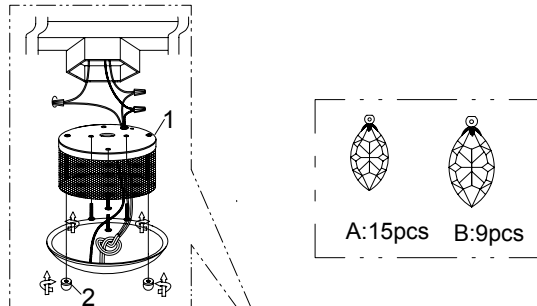


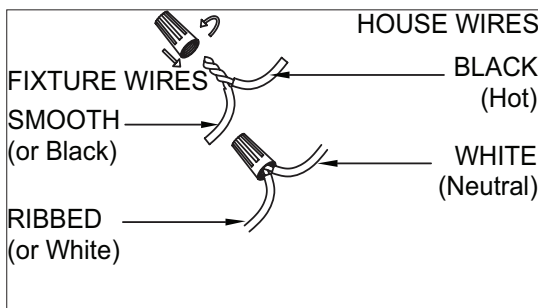
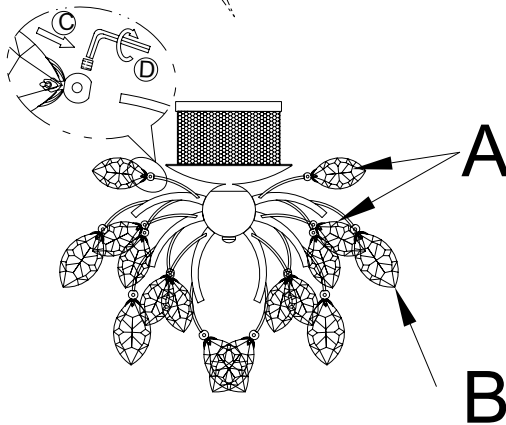
Assembly Instructions: C304-F9 (Palm)

IMPORTANT:

- ALL INSTALLATION WORK SHOULD BE DONE BY ACCREDITED PROFESSIONAL.
- SHUT OFF POWER SUPPLY AT FUSE OR CIRCUIT BREAKER!
- USE ONLY THE SPECIFIED BULBS. DO NOT EXCEED THE MAXIMUM WATTAGE!



CRYSTAL ASSEMBLING DIAGRAM



HANGING THE FIXTURE

Unscrew mounting strap (1) from canopy (3) using a screwdriver. Mounting strap (1) contains several holes. Find the pair of holes that matches the spacing of the holes on the junction box.

CONNECTING THE WIRES

Have an assistant support the fixture weight while completing the wiring. Cut away excess wire. Thread the fixture wires through the canopy. Attach the fixture's wires to the power supply wires from the junction box. Connect black to black (or smooth); white to white (or ribbed). Twist the ends of the wire pairs together, then twist on a wire connector. Make sure all twists are in the same direction. Tuck all wires neatly into the junction box.

FINISHING THE INSTALLATION

Attach the canopy (3) to mounting strap (1) using mounting screws (2) and a screwdriver.

Insert the provided halogen bulbs. See the bulb note below.

Bulb note: Use a tissue or paper towel to hold the bulb and push down into socket. Oils or dirt can cause the bulb life to shorten. Rubbing alcohol is recommended to clean the bulbs if dirty.

Follow the crystal assembly diagram. Screw on glass crystals.

YOUR INSTALLATION IS NOW COMPLETE. YOU MAY RESTORE POWER TO THE JUNCTION BOX AND TEST THE FIXTURE.

For Customer Service, contact the place of purchase to arrange for replacement parts.

CLEANING ADVICE:

- To avoid scratches, always use dry, smooth cloths to dust the fixture.
- Never use wet or abrasive cleaning products to clean the light fixture.
- For major cleaning, please disconnect the power at the main switch.

