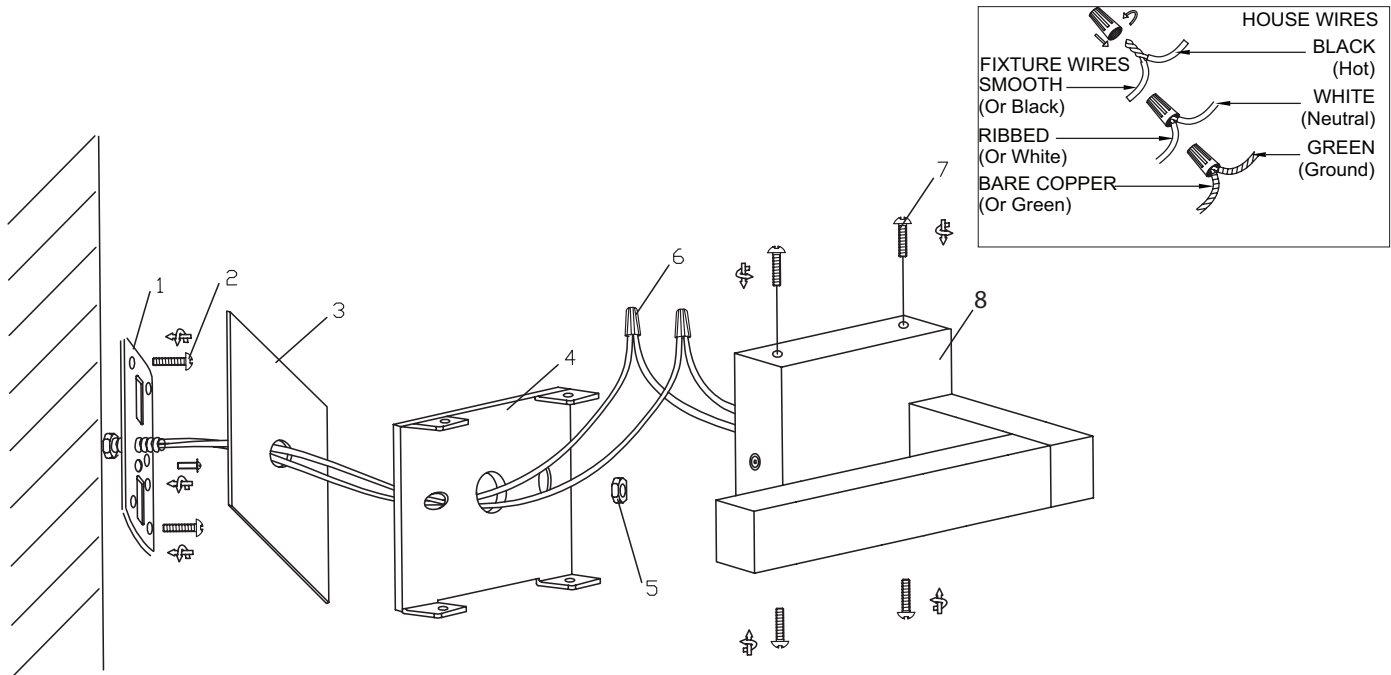


# Assembly Instructions: C101-01 (Rubik)

## IMPORTANT:

- ALL INSTALLATION WORK SHOULD BE DONE BY ACCREDITED PROFESSIONAL.
- SHUT OFF POWER SUPPLY AT FUSE OR CIRCUIT BREAKER!
- USE ONLY THE SPECIFIED BULBS. DO NOT EXCEED THE MAXIMUM WATTAGE!

**For Customer Service, contact the place of purchase to arrange for replacement parts.**



## HANGING THE FIXTURE

Mounting strap (1) contains several holes. Find the pair of holes that matches the spacing of the holes on the junction box. Place mounting strap (1) over the junction box and attach using screws (2) and a screwdriver. Bracket (4) may be attached to the back of the fixture's backplate. If so, use a screwdriver to remove. Please note that the fixture is European in construction. You may need to use the included cover plate (3) to cover the junction box. Please measure the junction box prior to completing the following steps. If cover plate (3) is needed, please run the fixture wires through the hole in the center of fixture base (4), cover plate (3), and then, through the threaded nipple of mounting strap (1).

## CONNECTING THE WIRES

Attach the power supply wires from the junction box to the fixture's connection wires. Connect black to black (or smooth) and white to white (or ribbed). Attach the ground wire (green or copper) from the junction box and the fixture ground wire to the green ground screw. Twist the wires together in the same direction that you twist the wire connectors onto the wires and tuck the wires into the junction box.

## FINISHING THE INSTALLATION

If using cover plate (3), place the hole of cover plate (3) over the threaded nipple of mounting strap (1).

Then, attach fixture base (4) using nut (5). Insert fixture body (8) into fixture base (4) and secure with screws (7).

**YOUR INSTALLATION IS NOW COMPLETE. YOU MAY RESTORE POWER TO THE JUNCTION BOX AND TEST THE FIXTURE.**

## CLEANING ADVICE:

- To avoid scratches, always use dry, smooth cloths to dust the fixture.
- Never use wet or abrasive cleaning products to clean the light fixture.
- For major cleaning, please disconnect the power at the main switch.

