

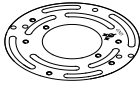
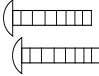
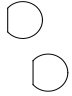
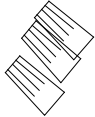
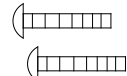
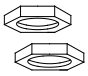


Fixture Name: Sancerre 1425-2W WG

This fixture assembled PO: _____ Date: _____

Notice: Please review the parts listing and check for all parts before assembling the fixture. If any parts are missing or damaged, please note on this sheet and contact the place of purchase to arrange for replacement parts.

PARTS LIST

Company Name: _____ Co. Account #: _____
to be filled out by retailer

Mounting Strap  1ea $\varnothing 4'' \times H2mm$	Mounting Screws  2ea 8#32-IP*1"	Deco Nut  2ea 8#32-IP*H11mm
Wire connectors  3ea P3 Orange	Mounting Screws  2ea 8#32-IP*1-1/2"	Hex Nut  2ea 8#32-IP*H3mm
Iron Tube  2ea $\varnothing 1'' \times 4-3/8''$	crystal bobèche  2ea $\varnothing 4-1/4'' \times H15mm$	

Part Needed _____	Quantity _____
Part Needed _____	Quantity _____
Reason why (missing, scratched, broken glass, bent, bad finish) _____	
Comments _____	

FIXTURE ASSEMBLY INSTRUCTIONS

Read and review installation instruction sheet, but do not install before assembling the fixture.

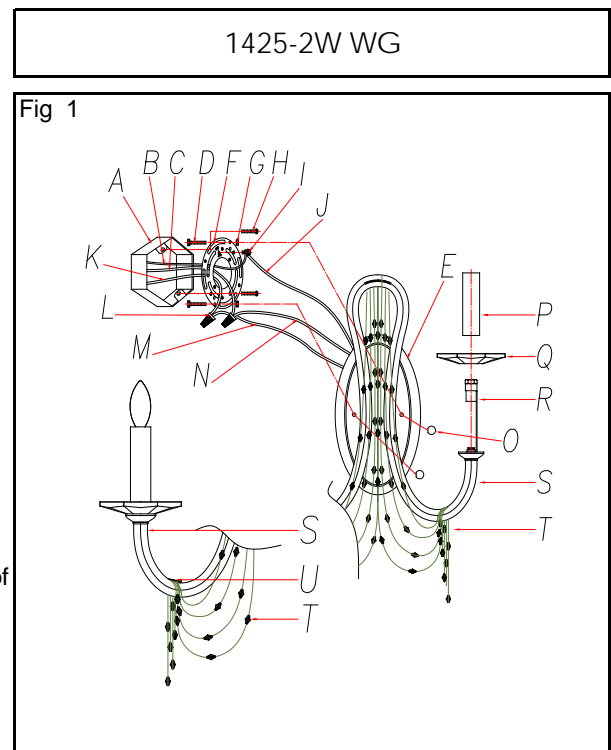
ASSEMBLING THE FIXTURE (Fig.1)

1. Crystal Chains (T) are individually wrapped and must be hung piece by piece. Remove Crystal Chain (T) from the packaging and examine the chain for Connection Pin (U). Drape Crystal Chain (T) over Arm (S) so that Connection Pin (U) sits on top of Arm (S). This will ensure proper draping length.

2. Attach Crystal Bobèche (Q) by sliding it over the socket. Then, slide Candle Sleeve (P) into the hole and straighten.

Note: Please do not attempt to slide Crystal Bobèche (Q) over the chrome Candle Sleeve (P) as it will scratch and damage the finish of the candle sleeve.

NOTE: INSTALL THE GLASS ASSEMBLY AFTER THE FIXTURE IS HUNG.



WARNING ! SHUT OFF POWER AT FUSE OR CIRCUIT BREAKER.

HANGING THE FIXTURE (Fig.1)

1. Carefully remove the new fixture from the carton and the yellow bag that holds all your parts. Check that all parts are included as shown in the illustrations and the Parts and Assembly Sheet.
2. Shut off power at the circuit breaker and remove the old fixture from wall, including the old mounting strap.
3. Mounting Strap (F) contains several pairs of threaded holes. Find the pair of holes that matches the holes spacing in your fixture Back Plate (H) and thread the two Mounting Screws (D) half way into Mounting Strap (F) and secure with Hex Nut (G).
4. Place Mounting Strap (F) over Junction Box (A) so that Mounting Screws (D) are vertical or horizontal, as required by fixture type.
5. Attach Mounting Strap (F) to the Junction Box using the two mounting screws (H) and tighten securely with screw driver.

CONNECTING THE WIRES (Fig 2)

6. Attach the power supply wires to the fixture lead wires by connecting BLACK to BLACK (or SMOOTH) and WHITE to WHITE (or RIBBED).
7. Attach the GROUND wire (GREEN or COPPER) from the Junction Box and the fixture Ground wire to the green Ground Screw (I) on Mounting Bracket (F) or connect both wires together using the correct size of wire connectors. - NOTE: Twist the wires together in the same direction you twist the wire connector (L) onto the wires.
8. Tuck these wire connections neatly into the Junction Box.

FINISHING THE INSTALLATION(Fig.3)

9. After tucking these wire connections neatly into the Junction Box and placing the fixture Back Plate (E) over the two Mounting Screws (D), secure Back Plate (E) against the wall by threading two Deco Nuts (O) over the two Mounting Screws (D) until tight as shown on Fig.1.
10. Install the light bulbs as per the fixture Parts and Assembly Sheet.

YOUR INSTALLATION IS NOW COMPLETE.

RETURN POWER TO THE JUNCTION BOX AND TEST THE FIXTURE.

Fig. 1

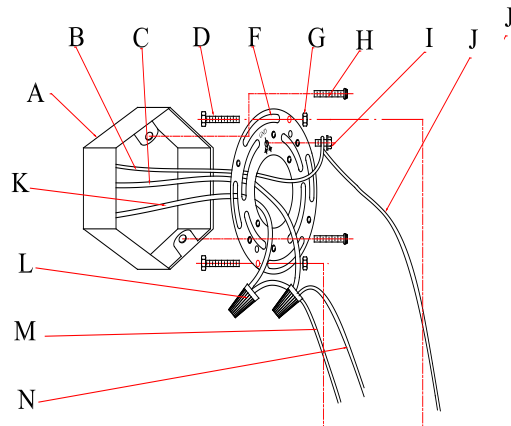


Fig. 2

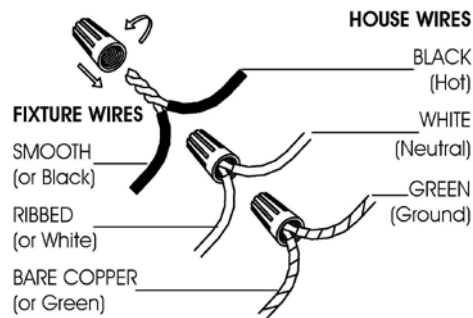


Fig. 3

