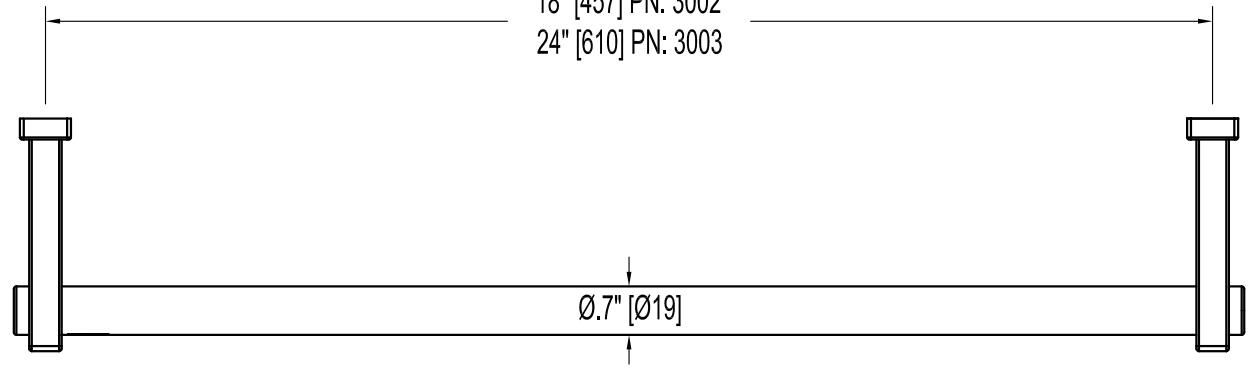


8" [203] PN: 3001

18" [457] PN: 3002

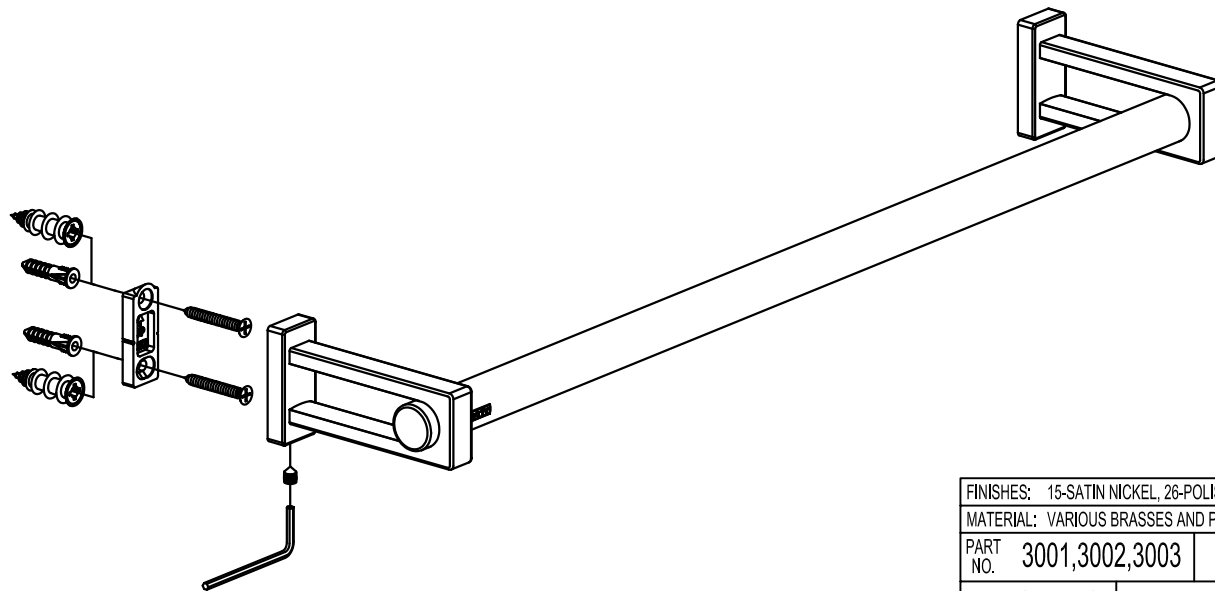
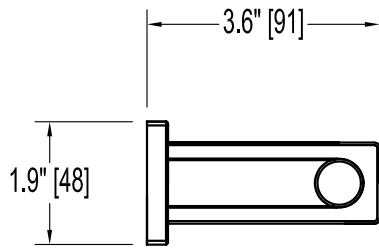
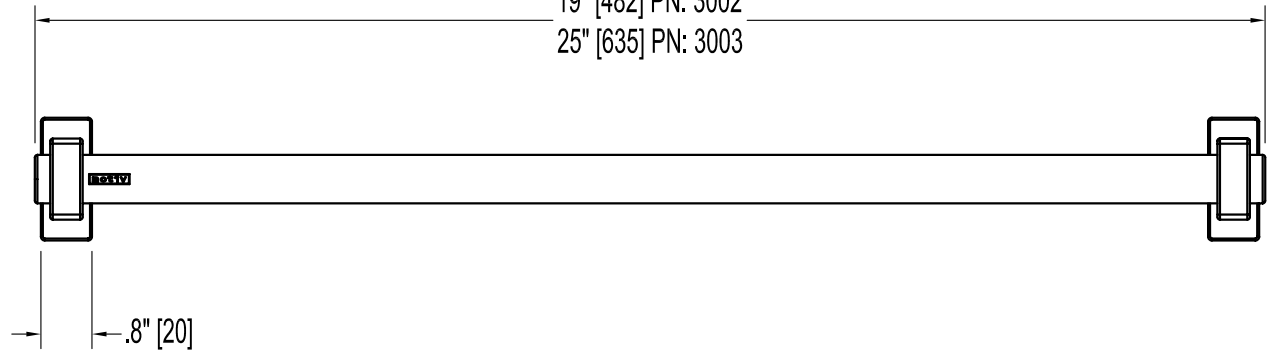
24" [610] PN: 3003




9" [229] PN: 3001

19" [482] PN: 3002

25" [635] PN: 3003



FINISHES: 15-SATIN NICKEL, 26-POLISHED CHROME		DESIGN: VICTOR HOERNIG	
MATERIAL: VARIOUS BRASSES AND PLATED STEEL HARDWARE		WEIGHT: 1 LB. 1 OZS. [480 G.]	
PART NO.	3001,3002,3003	TOWEL BAR	
DATE: 05.MAY.05	REV. 06.DEC.05		
			 ULTIMATE DESIGN DWG.NO. PD-3001