

# CITY 212®

## DOUBLE LIGHT INSTALLATION INSTRUCTIONS

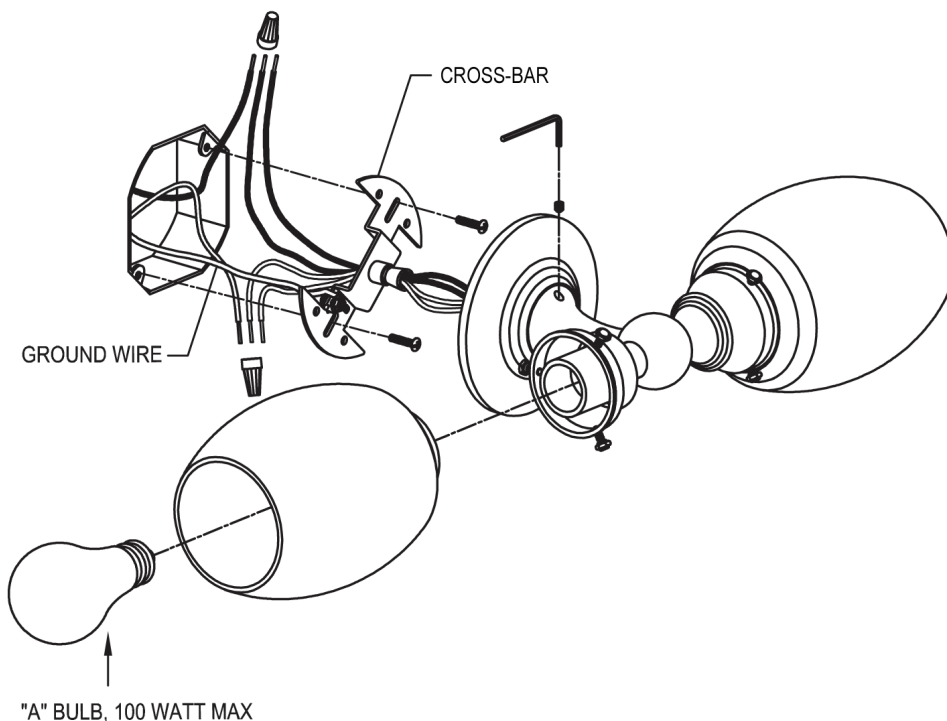
Complement your purchase with other fine accessories from GINGER®.

MODEL No. 0182

### INSTALLATION INSTRUCTIONS:

THESE LIGHTS SHOULD BE INSTALLED BY  
A LICENSED CONTRACTOR.

**POWER REQUIREMENTS:** 120 Volts, 60 Cycles



**SAFETY:** TO PREVENT ELECTRICAL SHOCK, BE SURE THAT THE POWER IS OFF BEFORE STARTING INSTALLATION.

### INSTALLATION:

1. PROVIDE THE REQUIRED WIRING TO THE WALL ELECTRICAL BOX. THE ELECTRICAL BOX SHOULD BE FLUSH TO THE WALL.
2. MOUNT CROSSBAR TO THE ELECTRICAL BOX. THE CROSS-BAR SHOULD BE FLAT AGAINST THE WALL WITH THE SPINDLE FACING AWAY FROM THE WALL.
3. CONNECT HOUSE GROUND WIRE TO THE CROSSBAR WITH ATTACHED GROUNDING SCREW.
4. FEED THE FIXTURE WIRES THROUGH THE CENTER HOLE OF THE CROSS-BAR.
5. CONNECT THE WHITE WIRES OF THE FIXTURE TO THE HOUSE NEUTRAL WIRE WITH A WIRENUT.
6. CONNECT THE BLACK WIRES OF THE FIXTURE TO THE HOUSE SWITCHED WIRE WITH A WIRENUT.
7. SLIDE THE FIXTURE OVER THE SPINDLE OF THE CROSS-BAR UNTIL IT IS FLUSH AGAINST THE WALL. SECURE THE FIXTURE BY TIGHTENING THE SET SCREW ON THE POST WITH PROVIDED WRENCH. TAKE CARE WIRES ARE NOT PINCHED DURING THIS PROCESS.
8. POSITION GLASS SHADES ONTO FIXTURE, CAREFULLY TIGHTEN THUMB SCREWS.
9. INSTALL LIGHT BULBS.

**GINGER**  
Luxury For Your Lifestyle™

2001 CARNEGIE AVENUE  
SANTA ANA, CA 92705  
949-417-5207  
www.gingerco.com