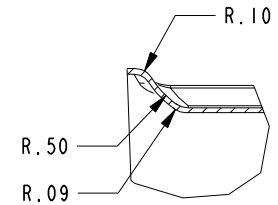
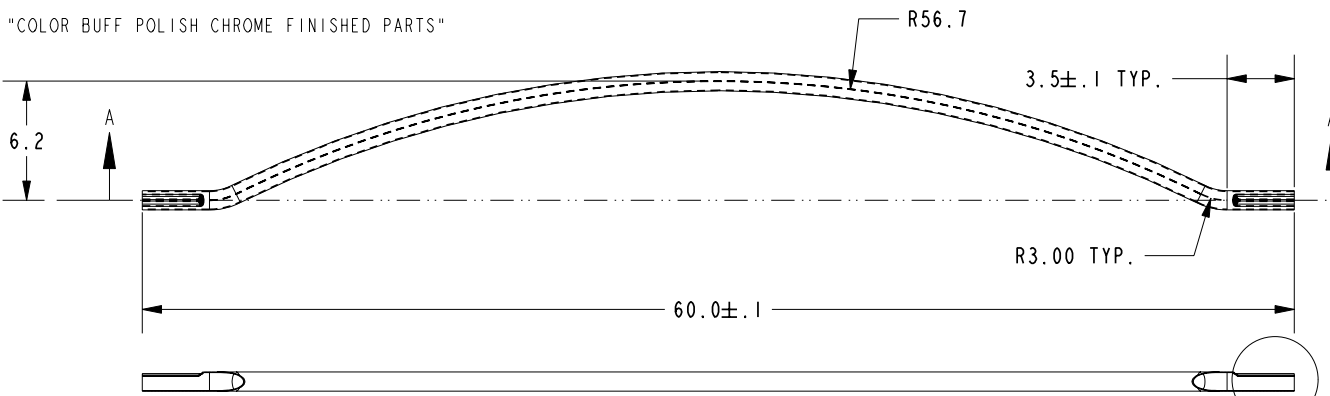
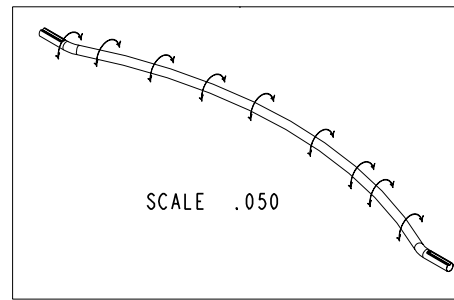


NOTES:

1. RAW METAL PARTS SHALL BE PURCHASED EXTERIOR POLISHED AND BUFFED. FOR MATERIAL SPECIFICATIONS SEE PS-E.001. FOR FINISH SPECIFICATIONS SEE SOP-Q.001 AND PS-Q.007.
2. PART GEOMETRY IS DEFINED BY CAD MODEL PROVIDED BY ENGINEERING.
3. AESTHETIC DIMENSION. FOLLOW AESTHETIC DIMENSIONS AND CAD MODEL TO MAINTAIN DESIGN INTENT (SEE PS-E.002 FOR "AESTHETIC DIMENSION" DEFINITION).
4. DIMENSIONS IN BRACKETS [] ARE IN MILLIMETERS AND FOR REFERENCE ONLY.
5. \longleftrightarrow INDICATES STROKE DIRECTION FOR SATIN FINISHES ONLY.
6. \triangle DO NOT POLISH THIS SURFACE.
7. PARTS WITH WETTED SURFACE AREA NOTED WITHIN THE ATTRIBUTES FIELD MUST MEET TOXICITY REQUIREMENTS (SEE PS-E.001 SECTION 4.0).
8. "COLOR BUFF POLISH CHROME FINISHED PARTS"

ATTRIBUTES	
TOTAL SURFACE AREA(in ²)	377.740
PLATED SURFACE AREA(in ²)	194.617
WETTED SURFACE AREA(in ²)	N/A
WEIGHT LB. [G]	1.617 LB. [733 G.]
VOLUME(in ³)	5.654

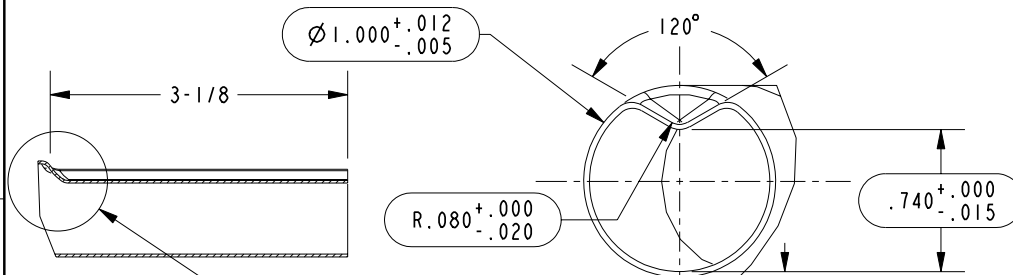


DETAIL D
SCALE 1.000

SEE DETAIL C

SEE DETAIL B

SECTION A-A



DETAIL B
SCALE .500
2 PLCS.

SEE DETAIL D

DETAIL C
SCALE 1.000
2 PLCS

ZONE	REV	DESCRIPTION	DATE	APPROVED
-	-	-	-	-
-	-	-	-	-
-	D	EN-1122-A	06/10/09	J.M.
-	C	EN-1122	06/05/09	J.M.

COPYRIGHT 2005 BRASSTECH, INC. THESE DRAWINGS AND THE DESIGNS DEPICTED HEREIN ARE THE PROPRIETARY PROPERTY OF BRASSTECH. ANY USE OR REPRODUCTION IS SUBJECT TO THE EXPRESS APPROVAL OF BRASSTECH. UNAUTHORIZED USE IS STRICTLY PROHIBITED. ALL RIGHTS RESERVED.

-	-	UNITS ARE: INCHES [MM]
-	-	TOLERANCES ARE:
NEXT ASSY	USED ON	FRACTIONS DECIMALS ANGLES ±1/64" .X ±.1 ±1"
APPLICATION		(X.XXX) DENOTES CRITICAL DIMS. ALL THREADS ARE CRITICAL
REMOVE ALL BURRS AND SHARP EDGES		DRAWN RATHISH 05/06/09
MATERIAL SS 304		CHECKED J. MANGA 10/24/08
FINISH SEE NOTE 1		APPROVED J. MANGA 10/24/08

BRASSTECH INCORPORATED
2001 E. CARNEGIE AVE. SANTA ANA, CA 92705 (949) 417-5207

ROD 5FT

DWG NO.	1139CR5	REV	D
SCALE	.100	REF.	-
SHEET		OF	