

4

3

2

1

1 LOCATION FOR VHB TAPE

2 APPLY PLAMER MIRROR MASTIC

BILL OF MATERIAL (CURRENT LEVEL)				
ITEM	PT/ASSY	DESCRIPTION	TYPE	QTY.
1	2642SC	20" SUPPORT CHANEL	PART	1
2	C2642	20" x 36" MIRROR GLASS	PART	1
3	91477	ADHESIVE BACKED BUMPER	PART	2
4	2641-FPA	FINGER PULL	ASSEMBLY	1
5	014XNB	FRAMELESS MIRROR BRACKETS	ASSEMBLY	1
6	91462	VHB TAPE 1" X 1 1/2" LONG	PART	2

D

D

C

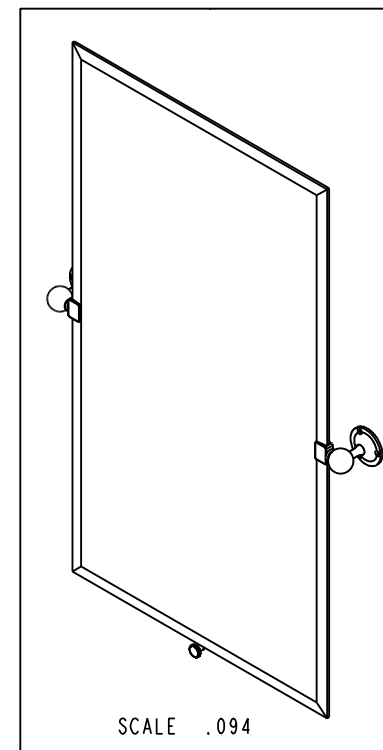
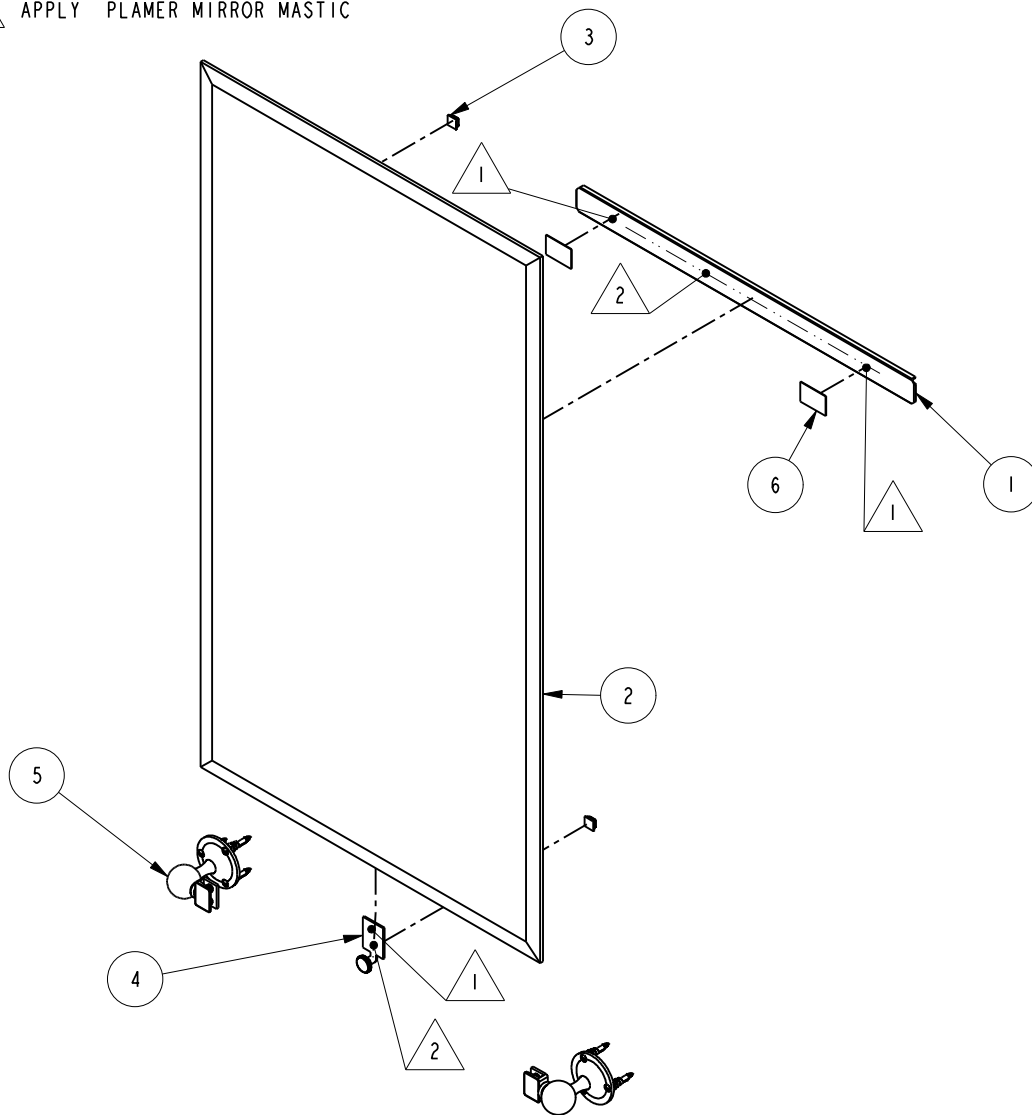
C

B

B

A

A



COPYRIGHT 2005 GINGER. THESE DRAWINGS AND THE DESIGNS DEPICTED HEREIN ARE THE PROPRIETARY PROPERTY OF GINGER. ANY USE OR REPRODUCTION IS SUBJECT TO THE EXPRESS APPROVAL OF GINGER. UNAUTHORIZED USE IS STRICTLY PROHIBITED. ALL RIGHTS RESERVED.

**GINGER**

2001 E. CARNEGIE AVE.  
SANTA ANNA CA 92705  
(949) 417-5207

CITY 212 20" X 36" FRAMELESS MIRROR

ASSY. NO. 0142N		B	EN-2148	04/30/12
SCALE .125		A	EN-1479	02/25/10
REF. -	SHEET 1 OF 2	REV	REV DESC	DATE

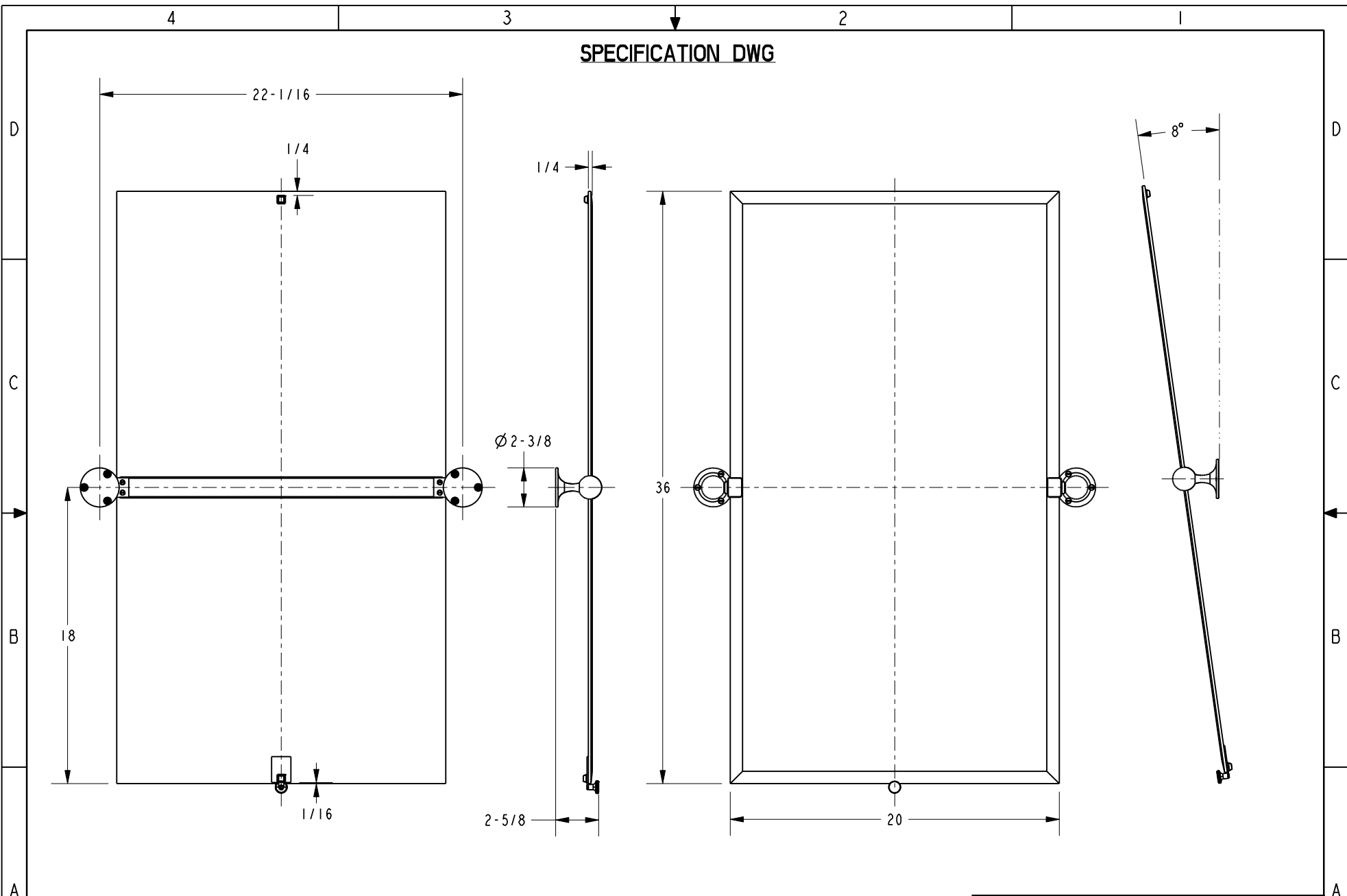
4

3

2

1

**SPECIFICATION DWG**



DIMENSIONS ARE IN INCHES AND AN APPROXIMATION OF A TYPICAL INSTALLATION

COPYRIGHT 2005 GINGER. THESE DRAWINGS AND THE DESIGNS DEPICTED HEREIN ARE THE PROPRIETARY PROPERTY OF GINGER. ANY USE OR REPRODUCTION IS SUBJECT TO THE EXPRESS APPROVAL OF GINGER. UNAUTHORIZED USE IS STRICTLY PROHIBITED. ALL RIGHTS RESERVED.

<b>GINGER</b>		2001 CARNEGIE AVE. SANTA ANA CA 92705 (949) 417-5207	
DWG NO.	0142N	REV	B
SCALE	.125	REF.	-
SHEET		2	OF 2