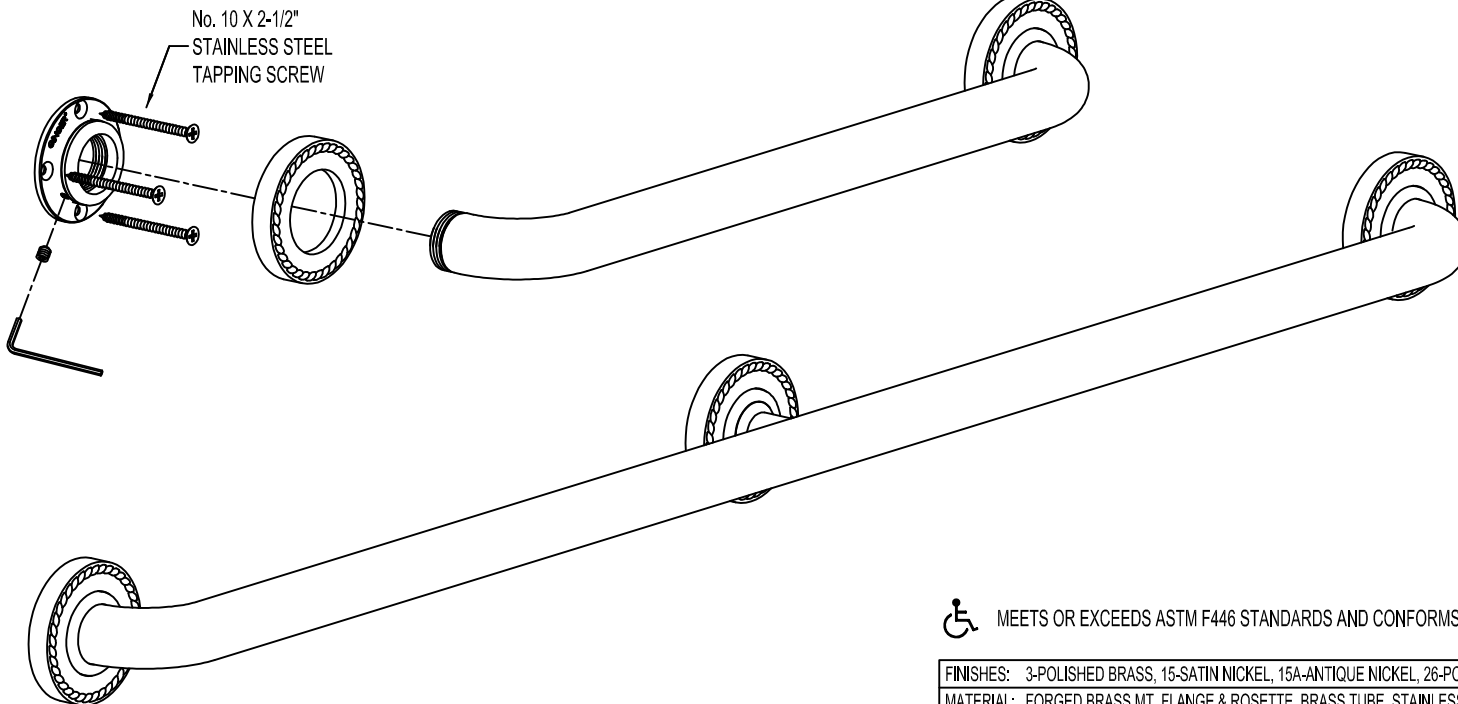


MOUNTING FLANGE DETAIL



CANTERBURY GRAB BARS  
LENGTH PART NO.

12"	1560
16"	1561
18"	1562
24"	1563
32"	1564
36"	1565
42"	1566
48"	1567

MEETS OR EXCEEDS ASTM F446 STANDARDS AND CONFORMS TO ADA GUIDELINES.

FINISHES: 3-POLISHED BRASS, 15-SATIN NICKEL, 15A-ANTIQUÉ NICKEL, 26-POLISHED CHROME, 26/3 COMBINATION		
MATERIAL: FORGED BRASS MT. FLANGE & ROSETTE, BRASS TUBE, STAINLESS STEEL HARDWARE		
PART NOS. 1560 ~ 1567	WEIGHT: 2 LBS. 7 OZ. [1.1 KG.] 18"	
<b>STRAIGHT GRAB BARS</b>		
DATE: 05.JUN.01	REV. 06.DEC.01	SCALE 1:5
		CANTERBURY

DWG.NO.  
PD-1560