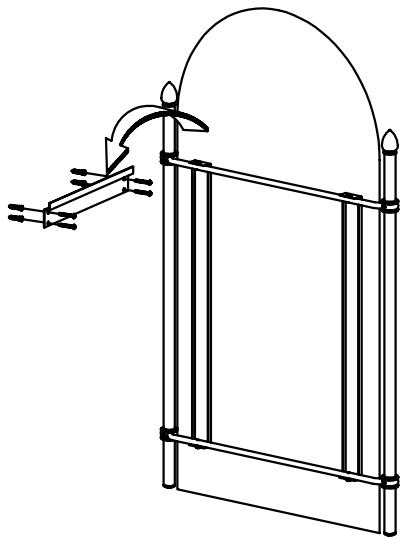
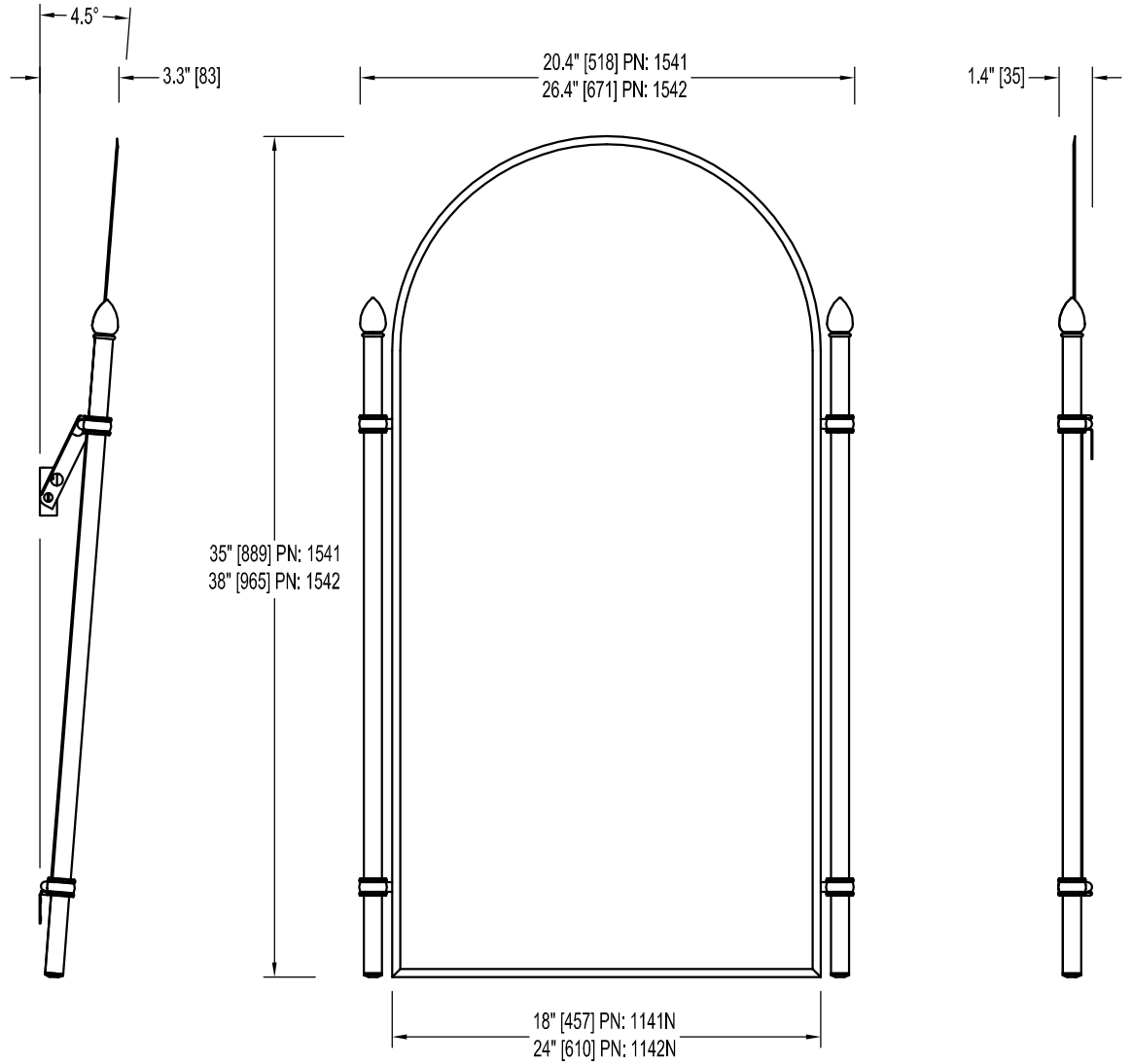


SHOWN WITH TILTING OPTION



SHOWN WITH STANDARD MOUNT



SHOWN WITH OPTIONAL
MTM-009 TILTING MECHANISM

SHOWN WITH STANDARD MOUNT

CANTERBURY MIRRORS

DESCRIPTION	PART NO.
SMALL FRAMED (20.4" W)	1541
LARGE FRAMED (26.4" W)	1542
SMALL FRAMELESS (18" W)	1141N
LARGE FRAMELESS (24" W)	1142N

ACCESSIBLE WITH TILTING MECHANISM

FINISHES: 3-POL. BRASS, 14-POL. NICKEL, 15-SATIN NICKEL, 15A-ANT. NICKEL, 26-POL. CHROME, 26/3-COMBINATION		
MATERIAL: SOLID BRASS TRIM, GLASS MIRROR, PLATED STEEL HARDWARE		
WEIGHT: (18" - 1541) 9 LBS. 2 OZ. [4.1 KG.]		DWG.NO.
PART NO. 1541 ~ 1542	MIRROR	
DATE: 05.NOV.01	REV.	SCALE 1:8
		CANTERBURY
		PD-1541