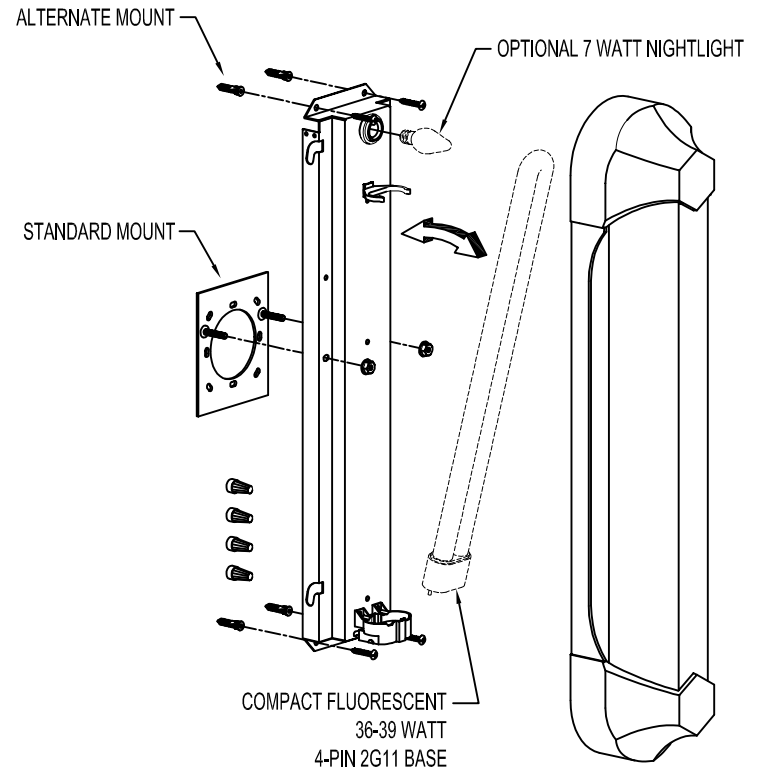


FLUTED DIFFUSER



681SGN SHOWN

EMPIRE FLUORESCENT LIGHT

DIFFUSER	PART NO.	PART NO.*	PART NO.**
FLUTED ACRYLIC	681	681N	681D
SMOOTH GLASS	681SG	681SGN	681SGD
FLUTED GLASS	681FG	681FGN	681FGD

APPROVED DIMMER SWITCH:

PART NO.	DESCRIPTION
681/DS*	LIGHTOLIER ZP260ESI DECORATOR PRESET SLIDE DIMMER 260W 120VAC 60HZ SOFT START

* WITH NIGHTLIGHT

* WHITE

** INCLUDES DIMMABLE BALLAST AND 681/DS DIMMER SWITCH

ADA COMPLIANT

FINISHES: 3-POLISHED BRASS, 14-POLISHED NICKEL, 15-SATIN NICKEL, 26-POLISHED CHROME		DESIGN: VICTOR HOERNIG		
MATERIAL: VARIOUS BRASSES, ACRYLIC, TRIPLEX OPAL GLASS, PLATED STEEL HARDWARE		WEIGHT: 6 LBS. 2 OZ. [2.8 KG.]		
PART NO.	681	FLUORESCENT LIGHT		DWG.NO.
DATE: 18.JAN.02	REV.	SCALE 1:4	EMPIRE	PD-681