

4

3

2

1

NOTES:

1. APPLY ADHESIVE LOCTITE 680 OR EQUIVALENT.

BILL OF MATERIAL (CURRENT LEVEL)				
ITEM	PT/ASSY	DESCRIPTION	TYPE	QTY.
1	1-227	GRAB BAR HARDWARE PACK	ASSEMBLY	3
2	2772	ROUND TRIM RING	PART	3
3	2795	ROUND MOUNTING FLANGE	PART	3
4	80540	1-1/4" TRIPLE POST GRAB BAR TUBE	PART	1
5	80543	END POST	PART	2
6	80544	CENTER POST	PART	1
7	91496	40mm ID x 2.5mm BUNA-N O-RING	PART	3
8	92385	M8 STAINLESS STEEL LOCKWASHER	PART	3
9	92387	M8 X 40 SOCKET HEAD SS CAP SCREW	PART	3
10	92388	GRAB BAR TUBE INSERT	PART	3

D

D

C

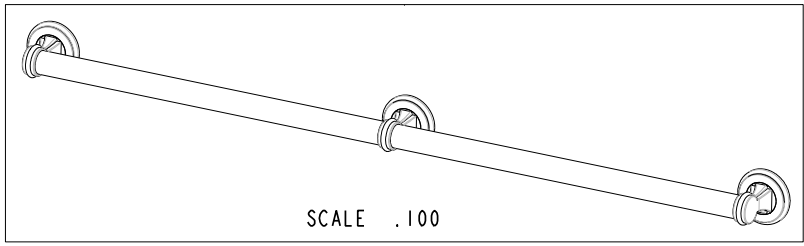
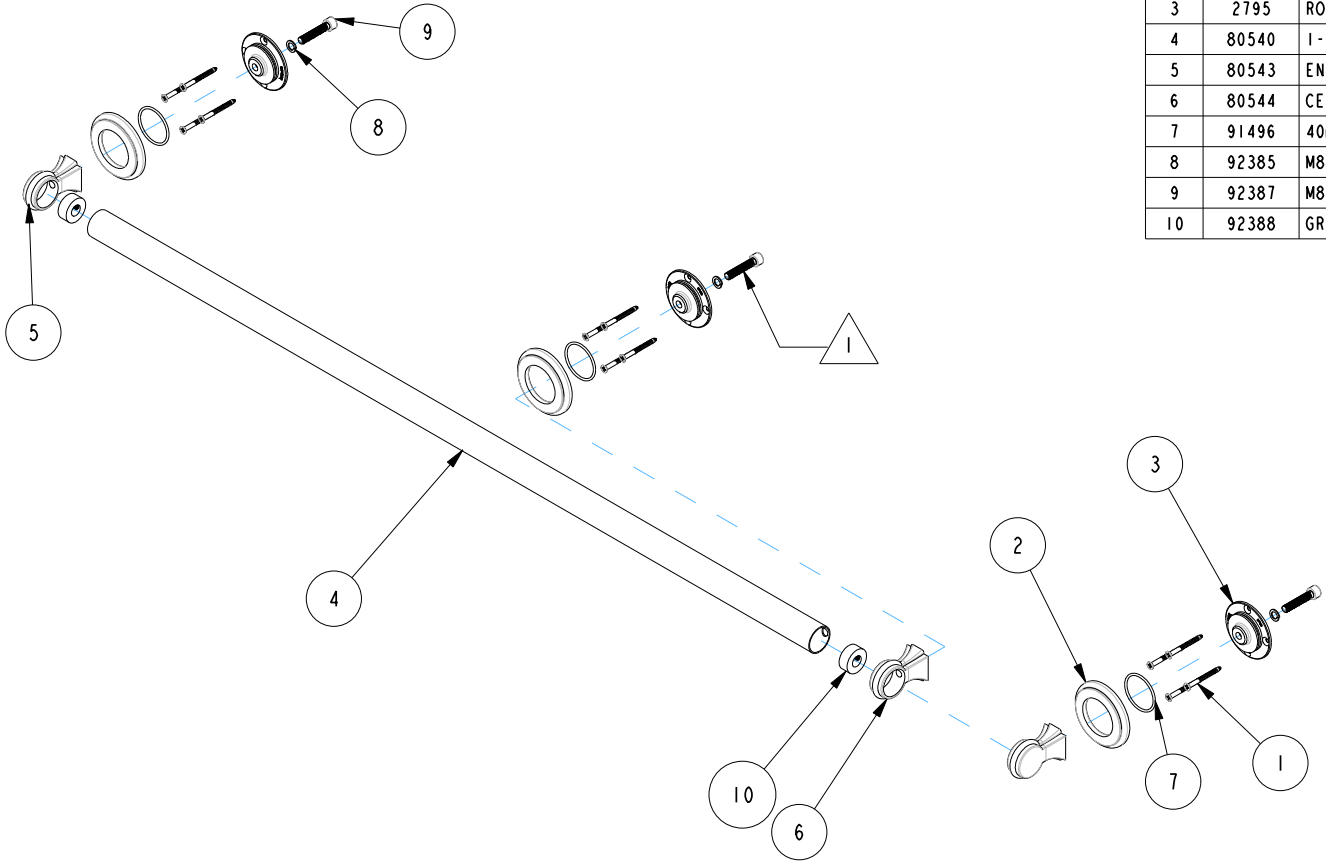
C

B

B

A

A



COPYRIGHT 2005 GINGER. THESE DRAWINGS AND THE DESIGNS DEPICTED HEREIN ARE THE PROPRIETARY PROPERTY OF GINGER. ANY USE OR REPRODUCTION IS SUBJECT TO THE EXPRESS APPROVAL OF GINGER. UNAUTHORIZED USE IS STRICTLY PROHIBITED. ALL RIGHTS RESERVED.

GINGER

2001 E. CARNEGIE AVE.
SANTA ANNA CA 92705
(949) 417-5207

42" STRAIGHT GRAB BAR ASSEMBLY

ASSY. NO. 2766					
SCALE .125	REF. -	SHEET 1 OF 2	REV	REV DESC	DATE
			A	EN-1359	10/23/09

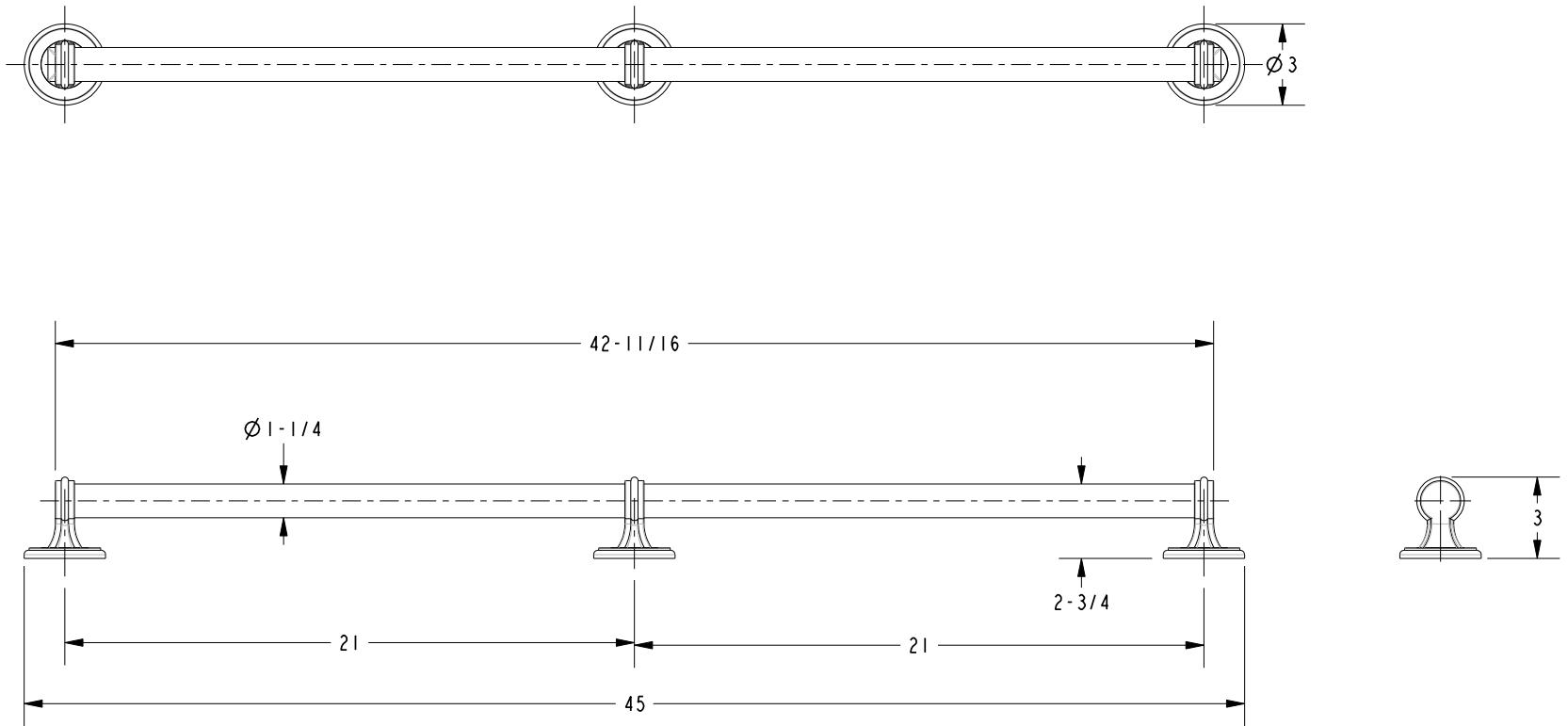
4

3

2

1

SPECIFICATION DWG



 MEETS OR EXCEEDS ASTM F446 STANDARDS AND CONFORMS TO ADA GUIDELINES.

DIMENSIONS ARE IN INCHES AND AN APPROXIMATION OF A TYPICAL INSTALLATION

COPYRIGHT 2005 GINGER. THESE DRAWINGS AND THE DESIGNS DEPICTED HEREIN ARE THE PROPRIETARY PROPERTY OF GINGER. ANY USE OR REPRODUCTION IS SUBJECT TO THE EXPRESS APPROVAL OF GINGER. UNAUTHORIZED USE IS STRICTLY PROHIBITED. ALL RIGHTS RESERVED.

GINGER		2001 E. CARNEGIE AVE. SANTA ANNA CA 92705 (949) 417-5207	
DWG NO.	2766	REV	A
SCALE	.150	REF.	-
		SHEET	2 OF 2