

Complement
your purchase
with these
fine accessories
also from
GINGER

Lights
Mirrors
Towel Bars
Bud Vases
Towel Rings
Soap Dishes
Hotel Shelves
Tumbler Holders
Toilet Tissue Holders
Shower Curtain Rods
Soap & Bottle Baskets
Cabinet Hardware
Toiletry Shelves
Grab Bars
Hooks

MIRROR

STATIONARY & WITH
TILT MECHANISM

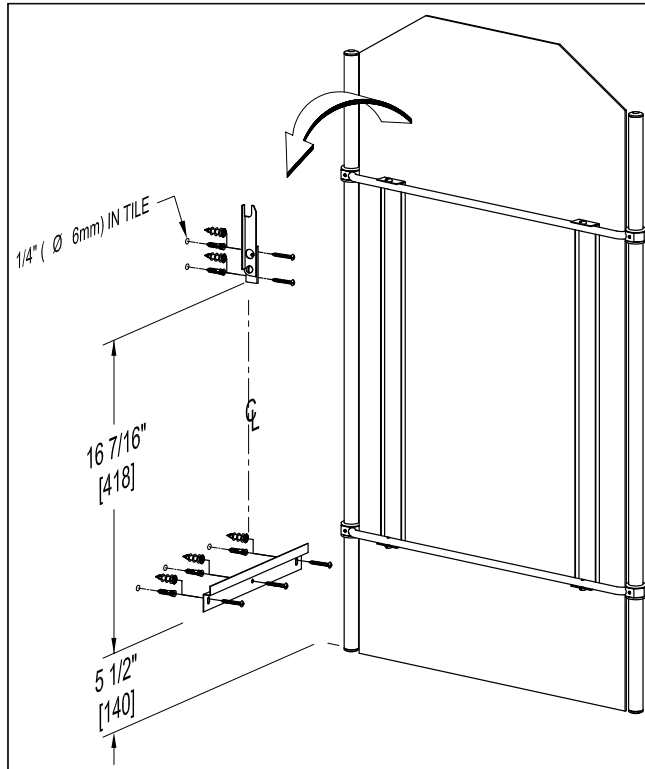
INSTALLATION
INSTRUCTIONS

for

EMPIRE
&
METRO

TILTING MIRROR INSTALLATION:

1. Determine location of mirror on wall.
2. Position the mounting bracket as illustrated. The bracket should be level and in the center of the desired mirror location. Mark the location of the mounting bracket screw holes on the wall.
3. Position the tilting mechanism as illustrated. Mark the location of the mounting screw holes on the wall.



4a. For drywall installation:

Using a No. 2 Phillips screwdriver, push and turn zinc anchors in a clock-wise direction until flush with wall surface. If wood cross bracing or a stud is present, pre-drill a 1/4" (6mm) diameter hole and install small plastic anchor in place of the zinc anchor.

4b. For tile or solid wall installation:

Drill 1/4" (6mm) on marks made in Step 1. Insert plastic wall anchors and tap flush with wall.

5. Position the mounting bracket and the tilting mechanism over the anchors and install screws.
6. Swing the tilting mechanism to the vertical position (flush against the wall.)
7. Slide mirror down wall until cross rods are engaged in tilting mechanism and mounting bracket. The bracket, not the tilting mechanism, should support weight of mirror. Adjust mounting bracket or tilting mechanism position if necessary.

Empire & Metro TILTING MIRROR

STATIONARY MIRROR INSTALLATION:

1. Determine location of mirror on wall.
2. Position the mounting bracket as illustrated. The bracket should be level and in the center of the desired mirror location. Mark the location of the mounting bracket screw holes on the wall.

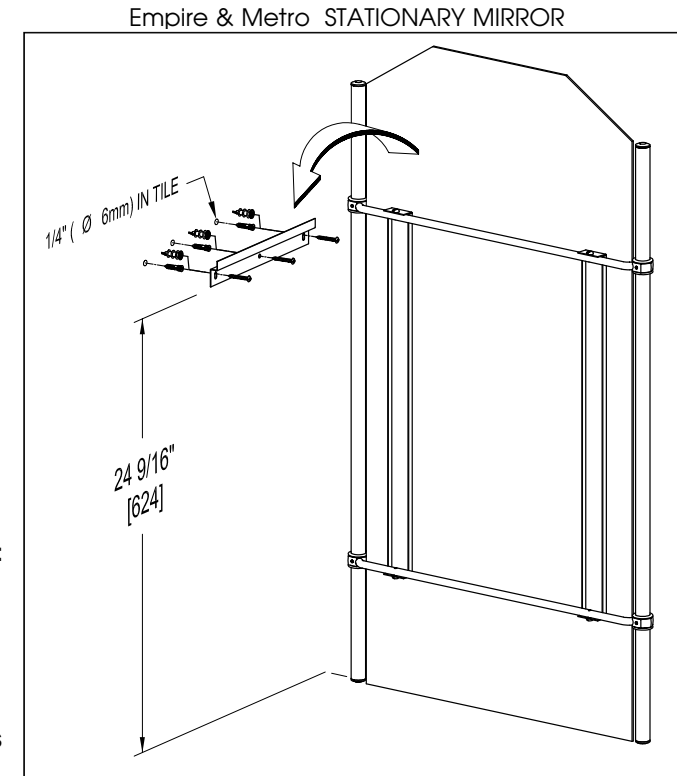
3a. For drywall installation:

Using a No. 2 Phillips screwdriver, push and turn zinc anchors in a clock-wise direction until flush with wall surface. If wood cross bracing or a stud is present, pre-drill a 1/4" (6mm) diameter hole and install small plastic anchor in place of the zinc anchor.

3b. For tile or solid wall installation:

Drill 1/4" (6mm) on marks made in Step 1. Insert plastic wall anchors and tap flush with wall.

4. Position mounting bracket over the anchors and install screws.
5. Slide mirror down wall until cross rod is supported by the mounting bracket.



Empire & Metro STATIONARY MIRROR

Tools needed:

Pencil, Tape measure, Phillips Screwdriver, Drill and Level.



To clean, use warm water only.



No chemical cleaners.