

4

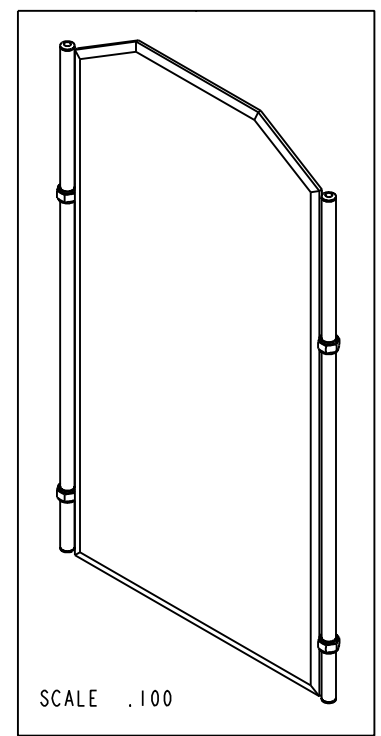
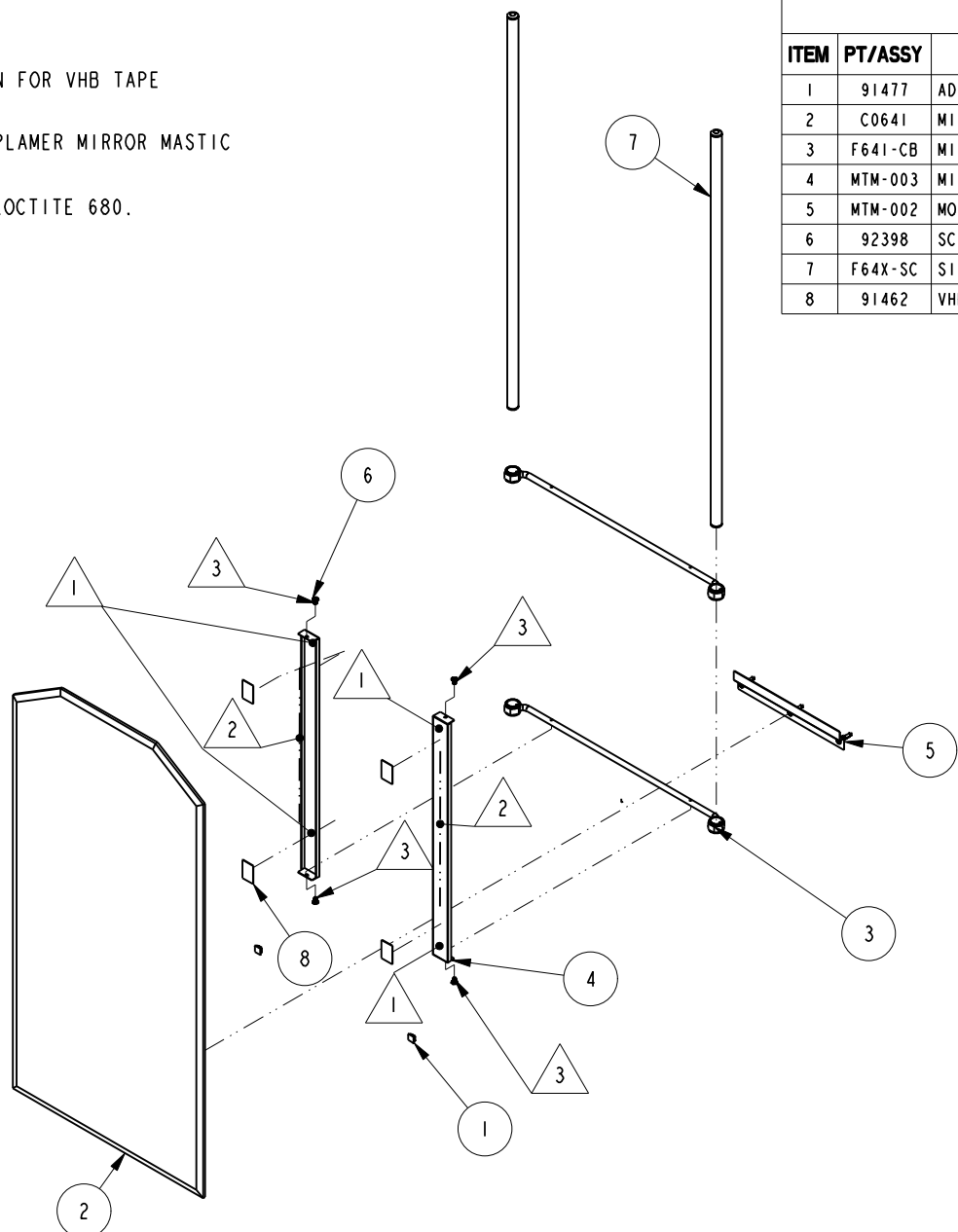
3

2

1

- △ 1 LOCATION FOR VHB TAPE
- △ 2 APPLY PLAMER MIRROR MASTIC
- △ 3 APPLY LOCTITE 680.

BILL OF MATERIAL (CURRENT LEVEL)				
ITEM	PT/ASSY	DESCRIPTION	TYPE	QTY.
1	91477	ADHESIVE BACKED BUMPER	PART	2
2	C0641	MIRROR GLASS	PART	1
3	F641-CB	MIRROR TIE ROD ASSEMBLY	ASSEMBLY	1
4	MTM-003	MIRROR VERTICAL CHANNEL	PART	2
5	MTM-002	MOUNTING KIT	ASSEMBLY	1
6	92398	SCRW,M5 X .8 X 8 PHIL PAN HD Zn PLATED (MMC# 92005A318)	PART	4
7	F64X-SC	SIDE ARM ASSEMBLY	ASSEMBLY	1
8	91462	VHB TAPE 1" X 1 1/2" LONG	PART	4



COPYRIGHT 2005 GINGER. THESE DRAWINGS AND THE DESIGNS DEPICTED HEREIN ARE THE PROPRIETARY PROPERTY OF GINGER. ANY USE OR REPRODUCTION IS SUBJECT TO THE EXPRESS APPROVAL OF GINGER. UNAUTHORIZED USE IS STRICTLY PROHIBITED. ALL RIGHTS RESERVED.

GINGER

2001 E. CARNEGIE AVE.
SANTA ANNA CA 92705
(949) 417-5207

EMPIRE SMALL BEVELED FRAMED MIRROR

ASSY. NO.		641	
SCALE .080	REF.	SHEET 1 OF 3	REV
			REV DESC
			DATE

C	EN-2270	09/03/12
B	EN-2148	04/30/12
A	EN-1460	02/09/10

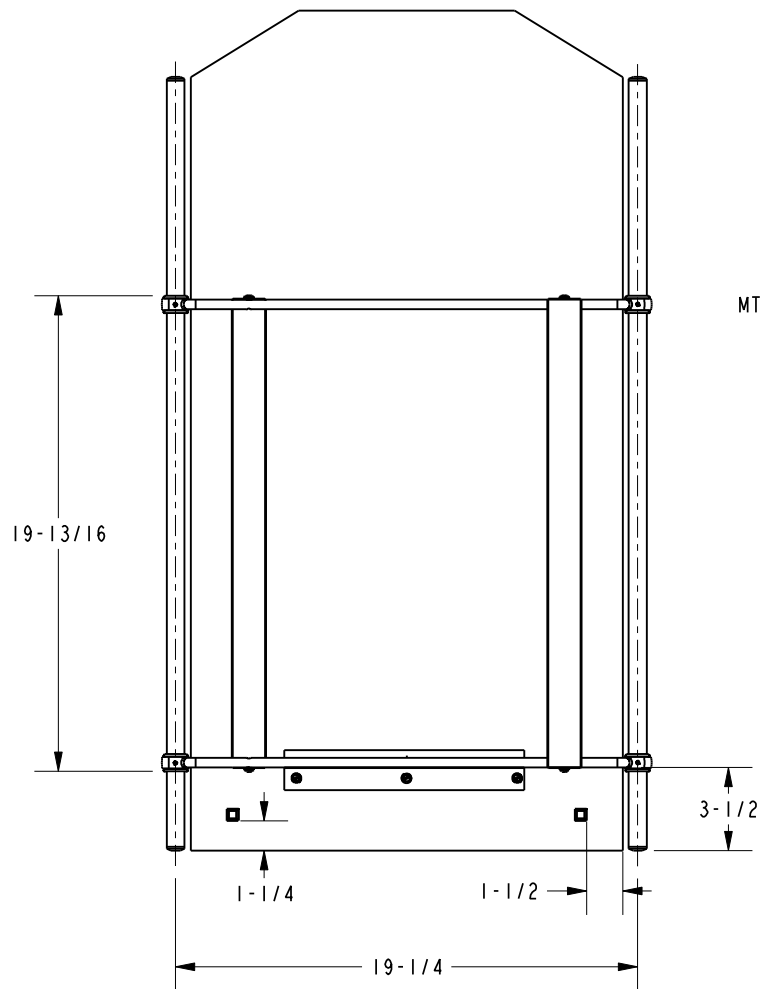
4

3

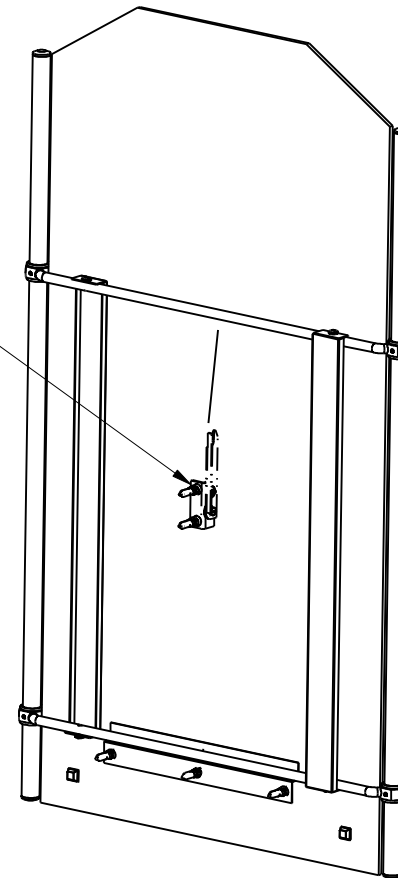
2

1

SPECIFICATION DWG



MTM-009 SOLD SEPARATELY

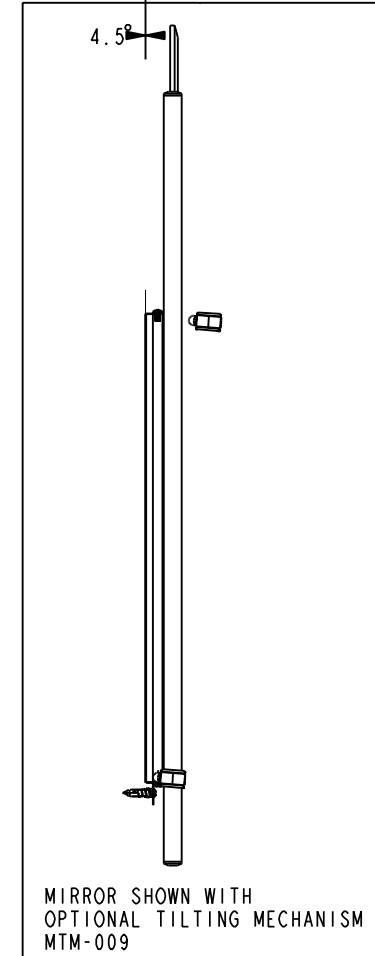
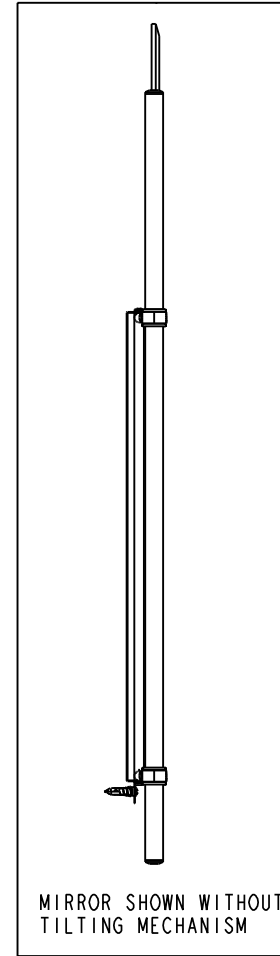
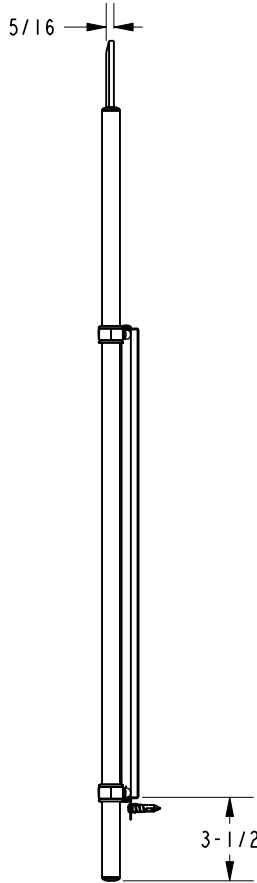
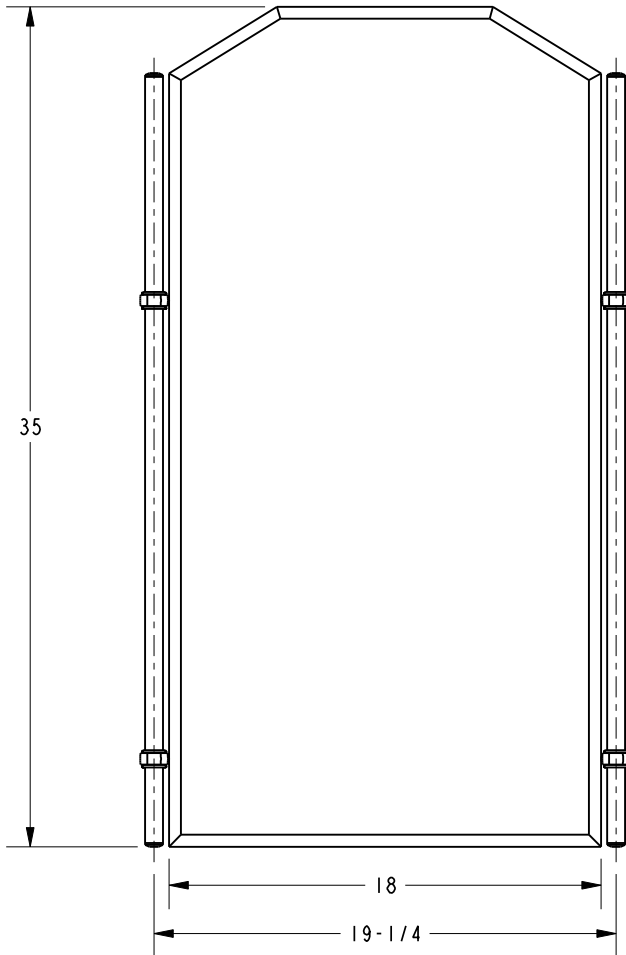
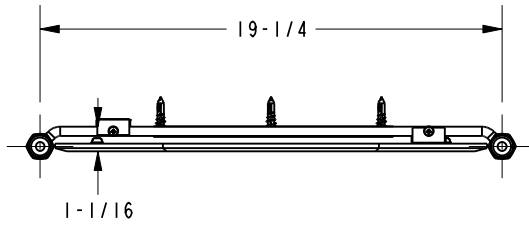


DIMENSIONS ARE IN INCHES AND AN APPROXIMATION OF A TYPICAL INSTALLATION

COPYRIGHT 2005 GINGER. THESE DRAWINGS AND THE DESIGNS DEPICTED HEREIN ARE THE PROPRIETARY PROPERTY OF GINGER. ANY USE OR REPRODUCTION IS SUBJECT TO THE EXPRESS APPROVAL OF GINGER. UNAUTHORIZED USE IS STRICTLY PROHIBITED. ALL RIGHTS RESERVED.

GINGER		2001 CARNEGIE AVE. SANTA ANA CA 92705 (949) 417-5207	
DWG NO.	641	REV	C
SCALE	.125	REF.	SHEET 2 OF 3

SPECIFICATION DWG



DIMENSIONS ARE IN INCHES AND AN APPROXIMATION OF A TYPICAL INSTALLATION

COPYRIGHT 2005 GINGER. THESE DRAWINGS AND THE DESIGNS DEPICTED HEREIN ARE THE PROPRIETARY PROPERTY OF GINGER. ANY USE OR REPRODUCTION IS SUBJECT TO THE EXPRESS APPROVAL OF GINGER. UNAUTHORIZED USE IS STRICTLY PROHIBITED. ALL RIGHTS RESERVED.

GINGER		2001 CARNEGIE AVE. SANTA ANA CA 92705 (949) 417-5207	
DWG NO.	641	REV	C
SCALE	.125	REF.	SHEET 3 OF 3