

Important notices before starting installation:

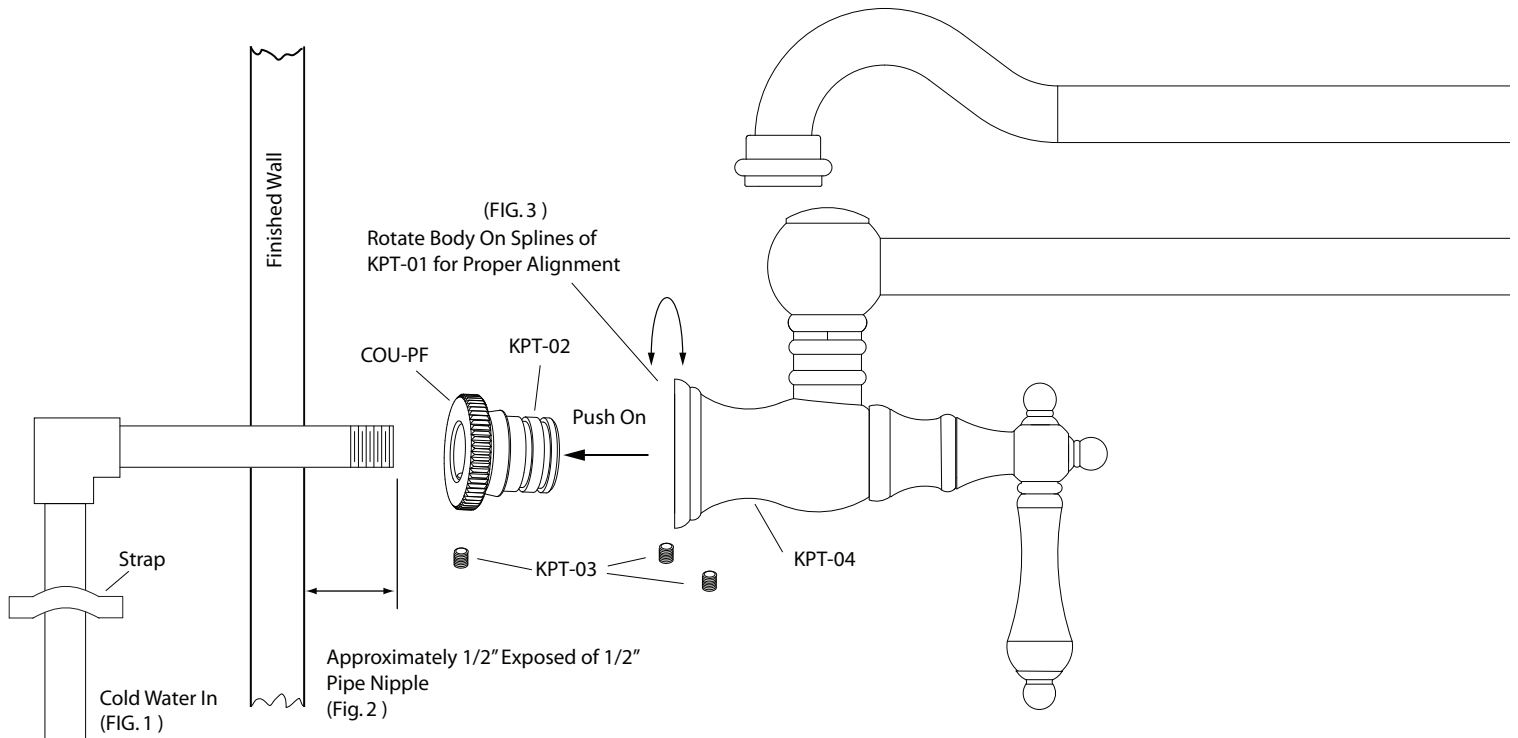
- This faucet must be installed by a qualified licensed plumber in accordance with all local city and state plumbing codes
- Customer is to determine installation height above stove or cook top
- Install a supply stop valve on cold water line where accessible then route water supply to the installation area
- Maximum operating pressure is 125 PSI
- Read entire instructions before installing

Step 1- Before installing the faucet the stove or cook top should be removed or covered in plastic to prevent any possible water damage. **Electric stoves** must have the circuit breaker in the off position.

Step 2- Strap 1/2" water supply to stud or backing inside wall to keep from moving (Fig. 1).

Step 3- Rough-in so that 1/2" threaded pipe nipple protrudes approximately 1/2" beyond finished wall (Fig. 2).

Step 4- Apply Teflon tape to exposed pipe nipple then screw on quick connector **COU-PF** so it is flush to finished wall. Secure by tightening set screw **KPT-03** with wrench provided **KPT-11**.



Step 5- Rotate faucet until correct alignment is made (spout should be pointing straight down) Fig. 3. Push the faucet body onto the quick connector over the two o-ring seals **KPT-02**. The splines inside the faucet body should line up with the splines on the quick connector.

Step 6- Secure faucet by tightening the two bottom set screws **KPT-03**.

Giagni



Pot Filler Installation Instructions

KPT100

Step 7- Open supply stop valve and check for leaks.

Step 8- Remove aerator **KPT-10** and turn on faucet for approximately two minutes to flush any debris from the water line.
Run water into a large pan or bucket.

Step 9- Replace aerator and clean faucet with warm water and a soft cotton towel.

➤**Note-** If the ceramic cartridge **KPT-05** should ever need to be removed for cleaning or replacing:

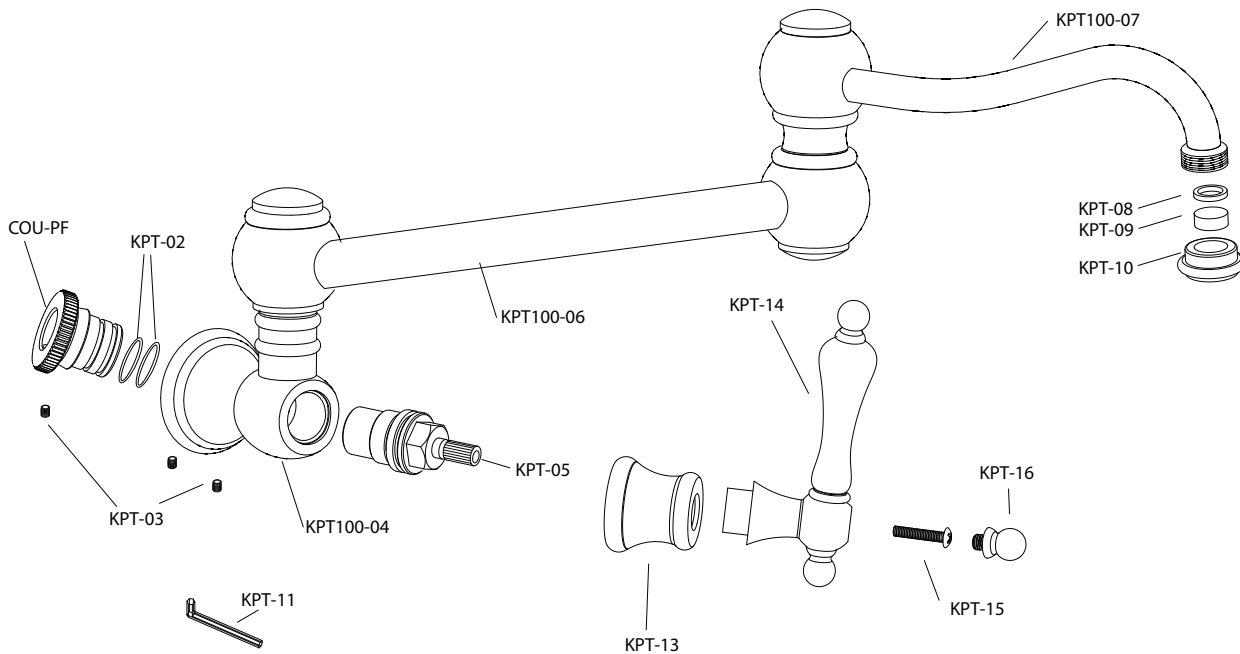
Step 10- Turn off water supply valve and remove handle assembly.

Step 11- Unscrew ceramic cartridge **KPT-05** counter clockwise using a small crescent wrench and remove.

Step 12- Replace cartridge and handle assembly in reverse order.

Maintenance:

Clean with warm water, soft cotton cloth and non-abrasive liquid dish soap. Towel Dry.
Never use acids, harsh abrasives or detergents.



Giagni



For additional assistance or service call: **1-888-560-5222 USA 8:30 a.m. to 5:30 p.m. EST Monday-Sunday**