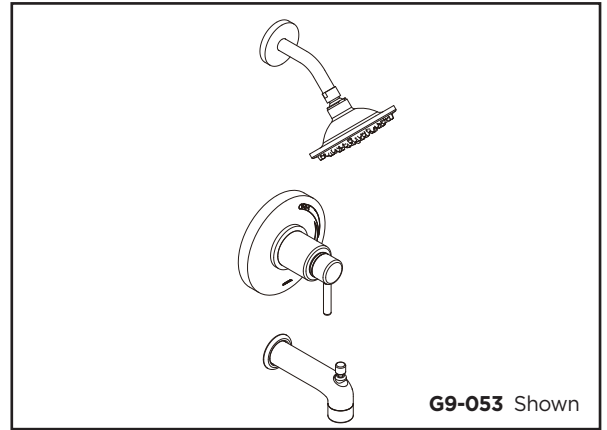




### Features:

- Contemporary styling
- 5 3/4" faceplate
- Chrome, Brushed Nickel finishes
- Shower at 2.5 gpm @ 80 psi
- Fit on Gerber PLUS™ washerless valves GS-315 series and ceramic valves GH-301, GH-305
- Single function showerhead in metal construction
- Back to back capability
- Diverter tub spout in thread/slip combination and metal construction
- 5 1/2" tub spout length
- Fully ADA compliant
- Limited Lifetime Warranty



### Standards & Certifications:

- ASME A112.18.1M
- ANSI A117.1
- IAPMO/cUPC
- Mass Code

### Catalog Numbers:

- G9-050** Single Handle and Flange Trim Kit, Chrome
- G9-050-BN** Single Handle and Flange Trim Kit, Brushed Nickel
- G9-052** Shower Only Trim Kit, Chrome
- G9-052-BN** Shower Only Trim Kit, Brushed Nickel
- G9-053** Tub/Shower Trim Kit, Chrome
- G9-053-BN** Tub/Shower Trim Kit, Brushed Nickel

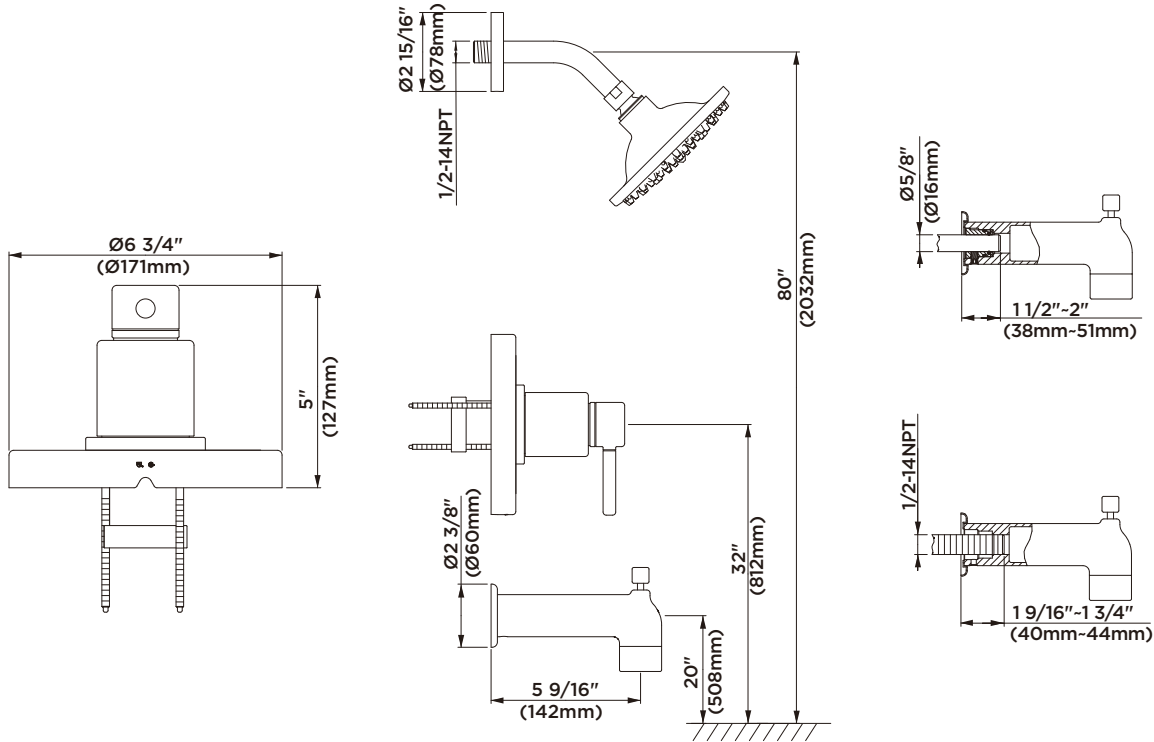
### Prefixes Available:

None

### Suffixes Available:

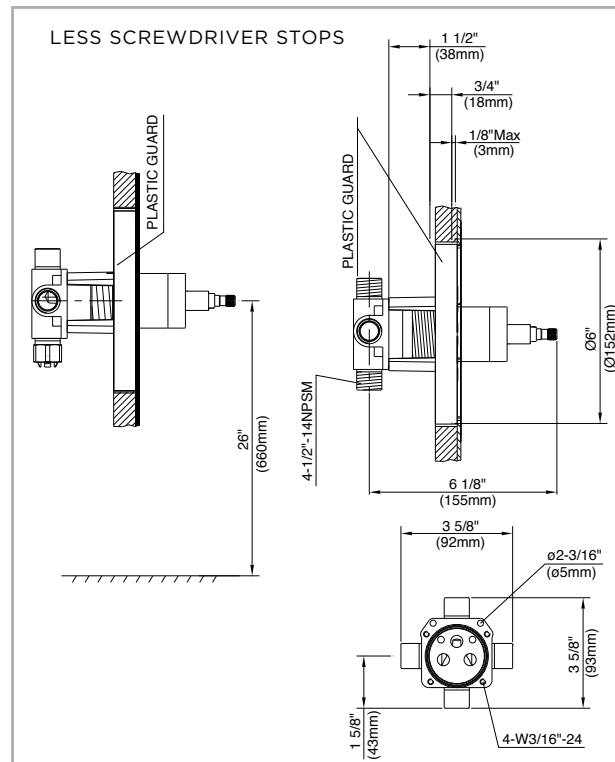
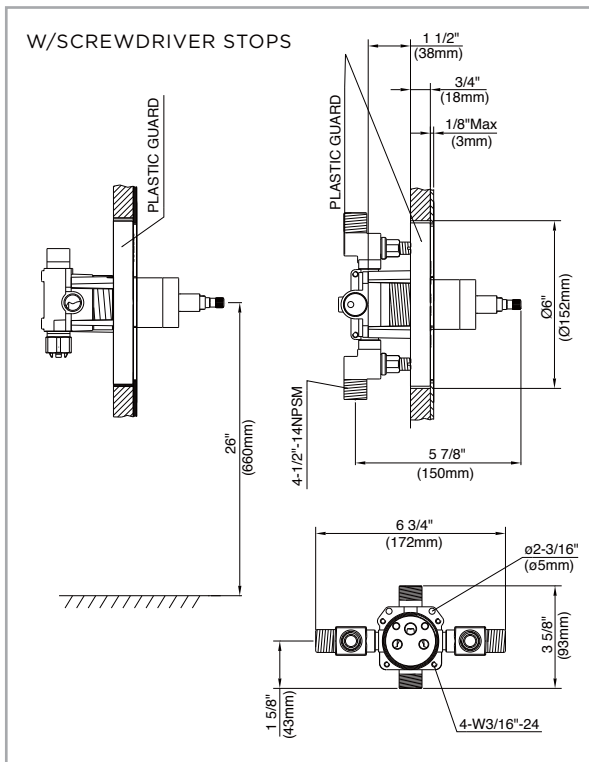
None

Job Name	
Date	
Model Specified	
Quantity	
Customer	
Contractor	
Architect/engineer	



## SINGLE HANDLE PRESSURE BALANCE TUB & SHOWER VALVES

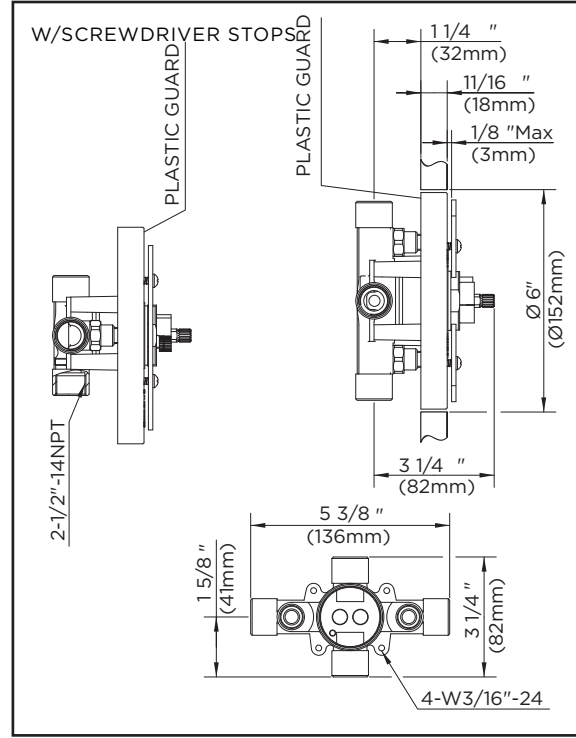
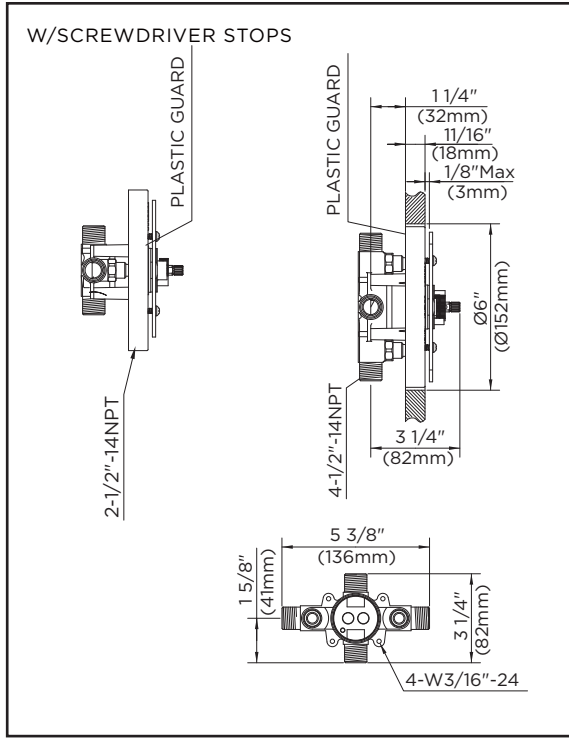
Critical Dimensions : Rough-in valve GH-305 (w/stops) & GH-301 (Less stops)





## GERBER PLUS VALVES

Critical Dimensions : Rough-in valve GS-315 (PK) (w/stops) & GS-313-PK (w/stops)



Critical Dimensions : Rough-in valve GS-314-PK (w/stops) & GS-317-PK (w/stops)

