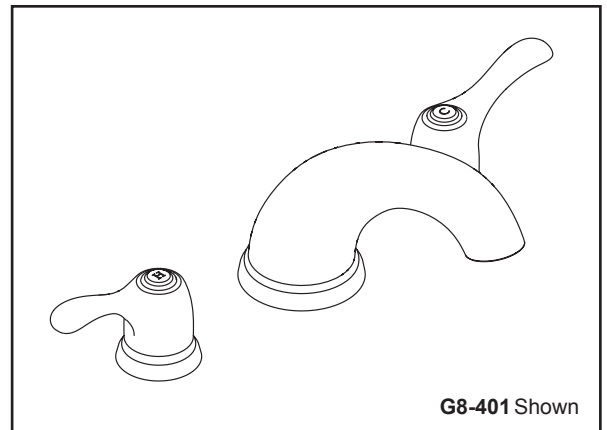


Features:

- 3 piece
- Transitional styling
- Ceramic disc cartridge
- Chrome, Brushed Nickel, and Chrome/Polished Brass combination finishes
- Pre-fabricated 10" Rough-in or flexible connectors
- Brass Waterways
- Single and bulk packaging for new construction
- Fully ADA compliant
- Limited Lifetime Warranty



Technical Specifications:

- ASME A112.18.1M
- ANSI A117.1
- CSA B125
- IAPMO/UPC

Catalog Numbers:

- G8-401** Roman tub filler trim kit, 3pc, Chrome
- G8-401-PK** Roman tub filler trim kit, 3pc, Chrome - Bulk Packaging
- G8-401-BN** Roman tub filler trim kit, 3pc, Brushed Nickel
- G8-401-CPBV** Roman tub filler trim kit, 3pc, Chrome/Polished Brass
- GH-400** Roman tub filler underbodies, 10" rough-in
- GH-400-PK** Roman tub filler underbodies, 10" rough-in - Bulk Packaging
- GH-410** Roman tub filler underbodies
- GH-410-PK** Roman tub filler underbodies - Bulk Packaging

Prefixes Available:

None

Suffixes Available

None

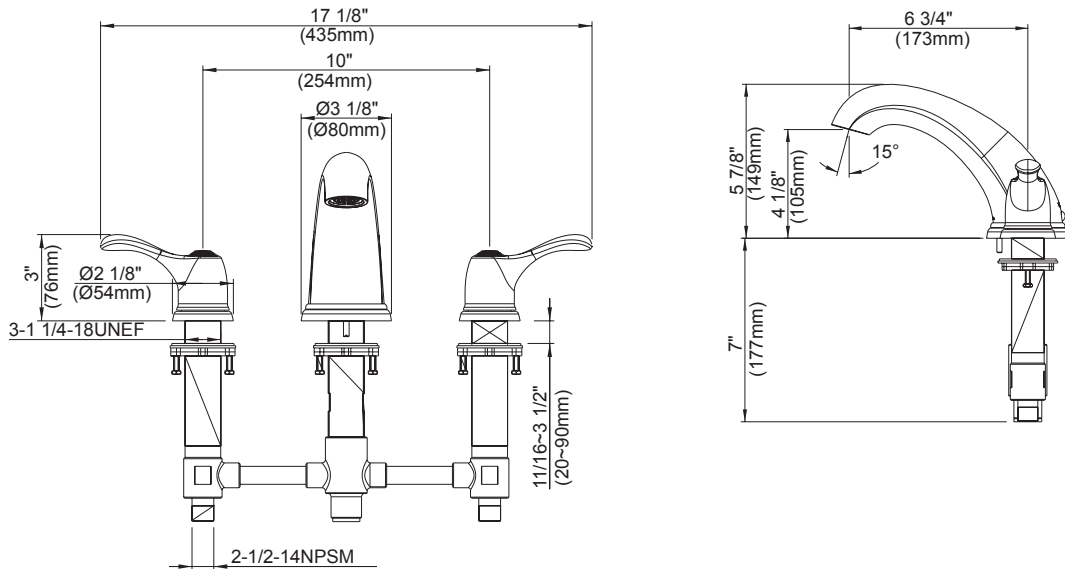
Job Name	
Date	
Model Specified	
Quantity	
Customer	
Contractor	
Architect/engineer	

GERBER®

PROFESSIONAL PERFORMANCE

Gerber Toll Free Technical Support: 888-648-6466
www.gerberonline.com





ROMAN TUB FAUCET ROUGH - IN VALVES - CRITICAL DIMENSIONS

Rough - in GH - 400 (cc) & rough - in valve GH - 410 (widespread)

