



GERBER

43-140 Series

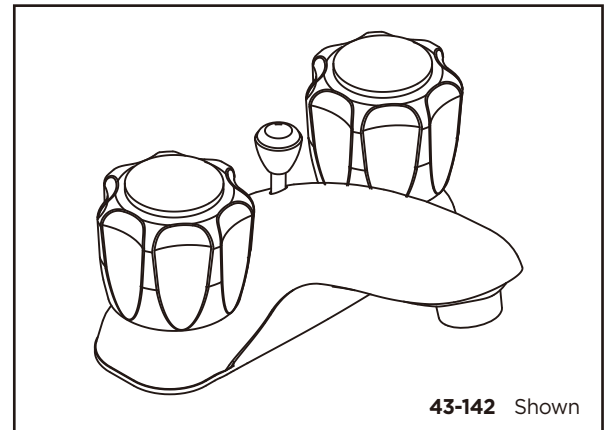
Maxwell®

Two Handle Lavatory Faucet



Features:

- Ceramic disc cartridges
- Acrylic handle with hot and cold index buttons
- Washerless valve stems with rubber seals
- Working parts can be easily replaced
- 4" centers for mounting
- 1.5 gpm (5.7 L/min) maximum aerator at 60 psi
- Low lead waterway per NSF/ANSI 372 (previously known as CA AB 1953)
- 1/2" NPSM supply connection w/plastic coupling nuts



Standards & Certifications:

- NSF/ANSI 61-9
- ASME A112.18.1M
- NSF/ANSI 372
- CSA B125.1
- IAPMO/cUPC
- ICC/ANSI A117.1
- EPA/Watersense
- MASS Code

Catalog Numbers:

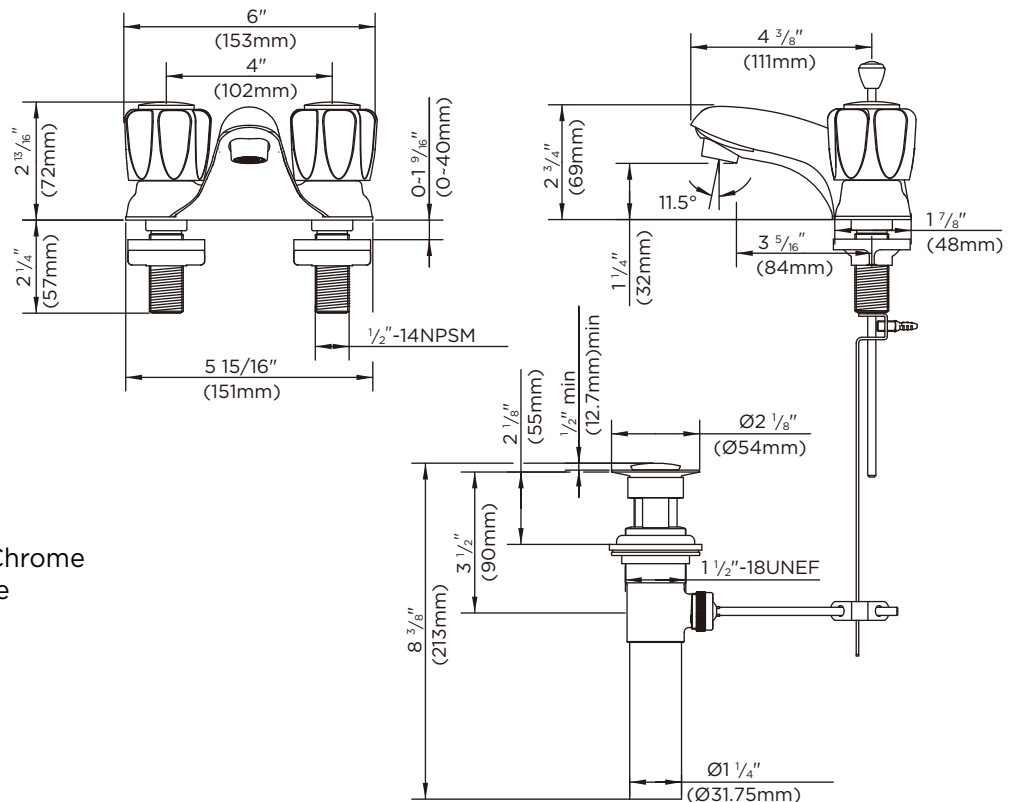
- 43-140** Less Drain Assembly, Chrome
- 43-141** Plastic Pop-up, Chrome
- 43-142** Brass Pop-up, Chrome

Prefixes Available:

None

Suffixes Available:

None



Job Name	
Date	
Model Specified	
Quantity	
Customer	
Contractor	
Architect/engineer	

Gerber Toll Free Technical Support: 888-648-6466
www.gerberonline.com