



GERBER

40-193 Series

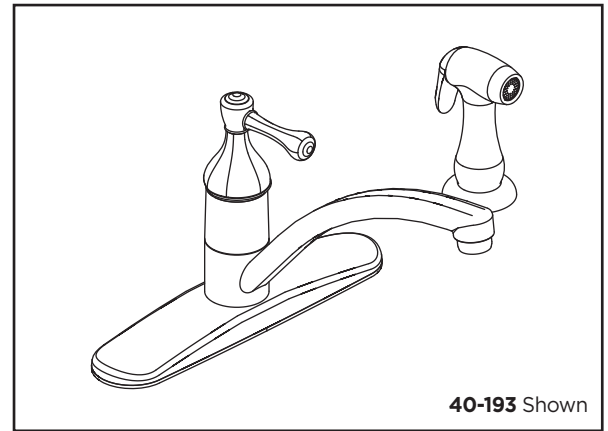
Abigail™

Single Handle Kitchen Faucet



Features:

- Traditional styling
- Ceramic disc cartridge
- Chrome, stainless steel and oil rubbed bronze finishes
- 2.2 gpm (8.3 L/min) maximum aerator at 60 psi
- Low lead waterway per NSF/ANSI 372 (previously known as CA AB 1953)
- Fully ADA compliant
- Limited lifetime warranty

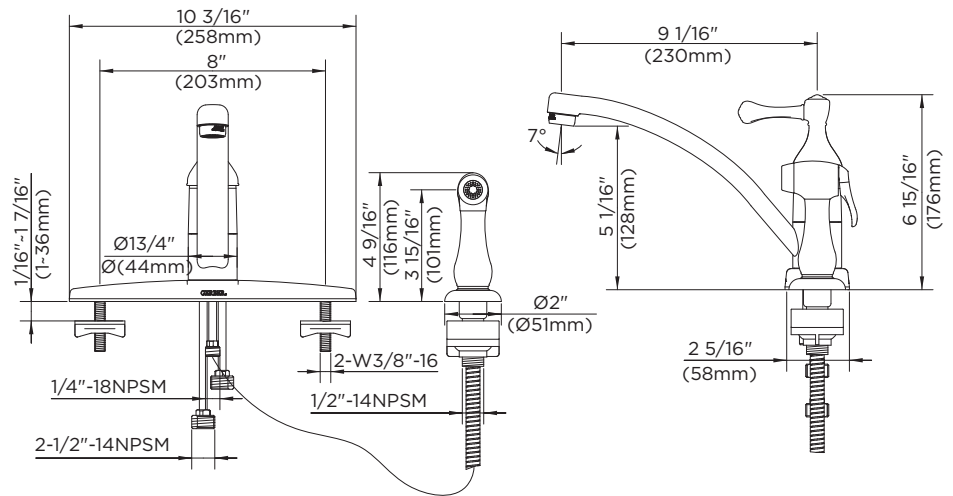


Standards & Certifications:

- NSF/ANSI 61-9
- ASME A112.18.1M
- NSF/ANSI 372
- CSA B125.1
- IAPMO/cUPC
- ICC/ANSI A117.1
- MASS Code

Catalog Numbers:

- 40-193** Chrome
- 40-193-SS** Stainless Steel
- 40-193-RB** Oil Rubbed Bronze



Prefixes Available:

None

Suffixes Available:

None

Job Name	
Date	
Model Specified	
Quantity	
Customer	
Contractor	
Architect/engineer	

Gerber Toll Free Technical Support: 888-648-6466
www.gerberonline.com