

# Sevier Outdoor Post

8238701, 8238751 | 1.1

## GENERATION LIGHTING POST

**CAUTION - RISK OF FIRE**  
This product must be installed in accordance with the applicable installation code by a person familiar with the construction and operation of the product and the hazards involved.  
Use minimum 90°C supply conductors.

### GENERAL PRODUCT INFORMATION:

This product is safety listed for wet locations.

Incandescent version may be dimmed with a standard incandescent dimmer. LED version may be dimmed with a LED dimmer. Consult lamp manufacturer for additional information.

This instruction shows a typical installation.

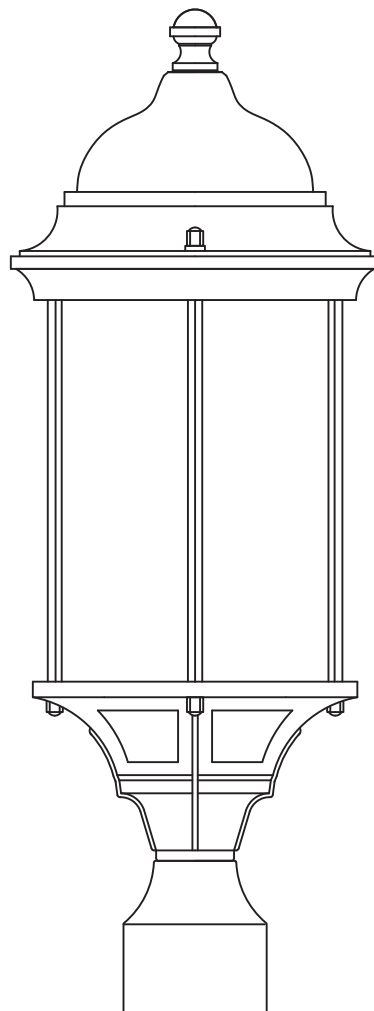
## GENERATION LIGHTING

7400 Linder Ave, Skokie, IL 160077

800.969.3347

[www.generationlighting.com](http://www.generationlighting.com)

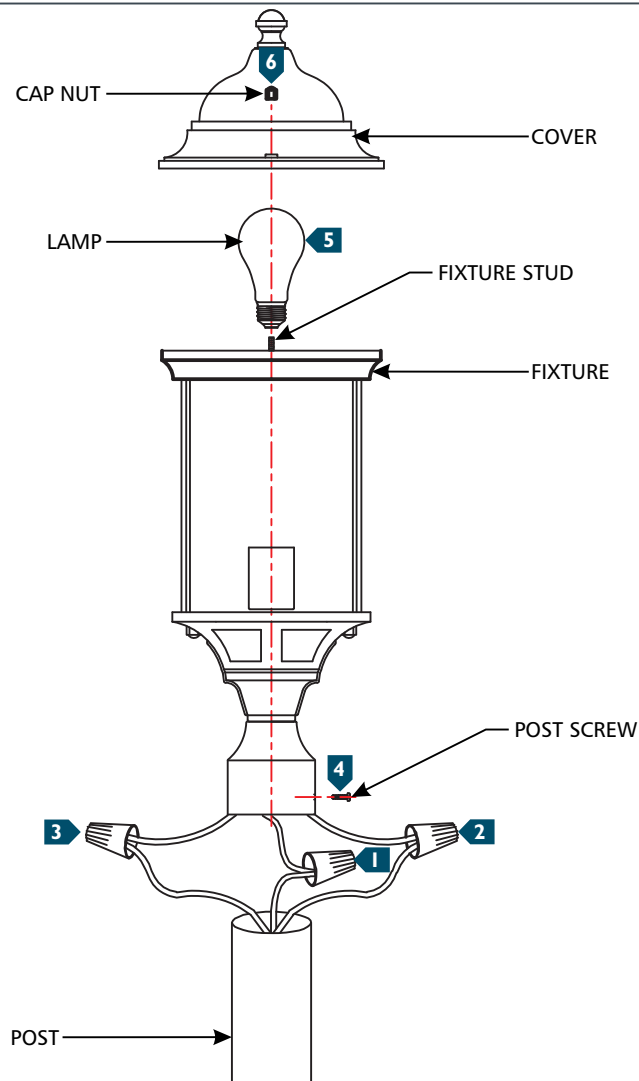
© 2020 Generation Lighting. All rights reserved.  
The "Generation Lighting" graphic is a registered trademark of Generation Lighting. Generation Lighting reserves the right to change specifications for product improvements without notification.



**SAVE THESE INSTRUCTIONS!**

## Install the Fixture

1A



- 1 Connect the fixture to a suitable ground in accordance to local electrical codes.
- 2 Connect the white fixture wire (square and/or rigid) to the neutral power line wire with a wire nut.
- 3 Connect the black fixture wire (round and/or smooth) to the hot power line wire with a wire nut.
- 4 Secure the fixture to the post with post screws.
- 5 Screw the lamp into the socket. Refer to the label on the socket for max wattage information.
- 6 Place the cover onto the fixture studs and secure it in place with the cap nuts.