

## IMPORTANT SAFETY INSTRUCTIONS

- Be sure the electricity to the system you are working on is turned off; either the fuse removed or the circuit breaker set at off.
- Use of other manufacturers components will void warranty, listing and create a potential safety hazard.
- If you are unclear as to how to proceed, contact a qualified electrician.
- You don't need special tools to install this fixture.
- Be sure to follow the steps in the order given.
- Proper wiring is essential for the safe operation of this fixture.
- To reduce the risk of fire, electric shock or personal injury, mount to outlet box or supporting system able to support the weight of the fixture.
- Read instructions carefully.
- Save these instructions.

## WET LOCATION

**NOTE: FOR FIXTURES LABELED FOR WET LOCATION AND USED OUTDOORS.**

**CAUTION:** To reduce the risk of electrical shock, provide a watertight seal between the fixture and the mounting surface by using a silicone or similar caulking.

**NOTE:** This glass is handcrafted, the slight imperfections in the glass add to the authenticity of the fixture.

Fixtures with photo-cells should be mounted at least 48" from all sides to avoid reflection of light back onto Photo-cell, causing the Photo-cell to malfunction or flicker.

## CLEANING

To clean, wipe fixture with a soft cloth. Clean glass with a mild soap. Do not use abrasive materials such as scouring pads or powders, steel wool or abrasive paper.

## ORDERING PARTS

Keep this sheet for future reference, and in case you need to order replacement parts. Parts for this fixture can be ordered from place of purchase. Be sure to use exact wording from illustration when ordering parts.

## BEFORE YOU BEGIN

### STEP 1:

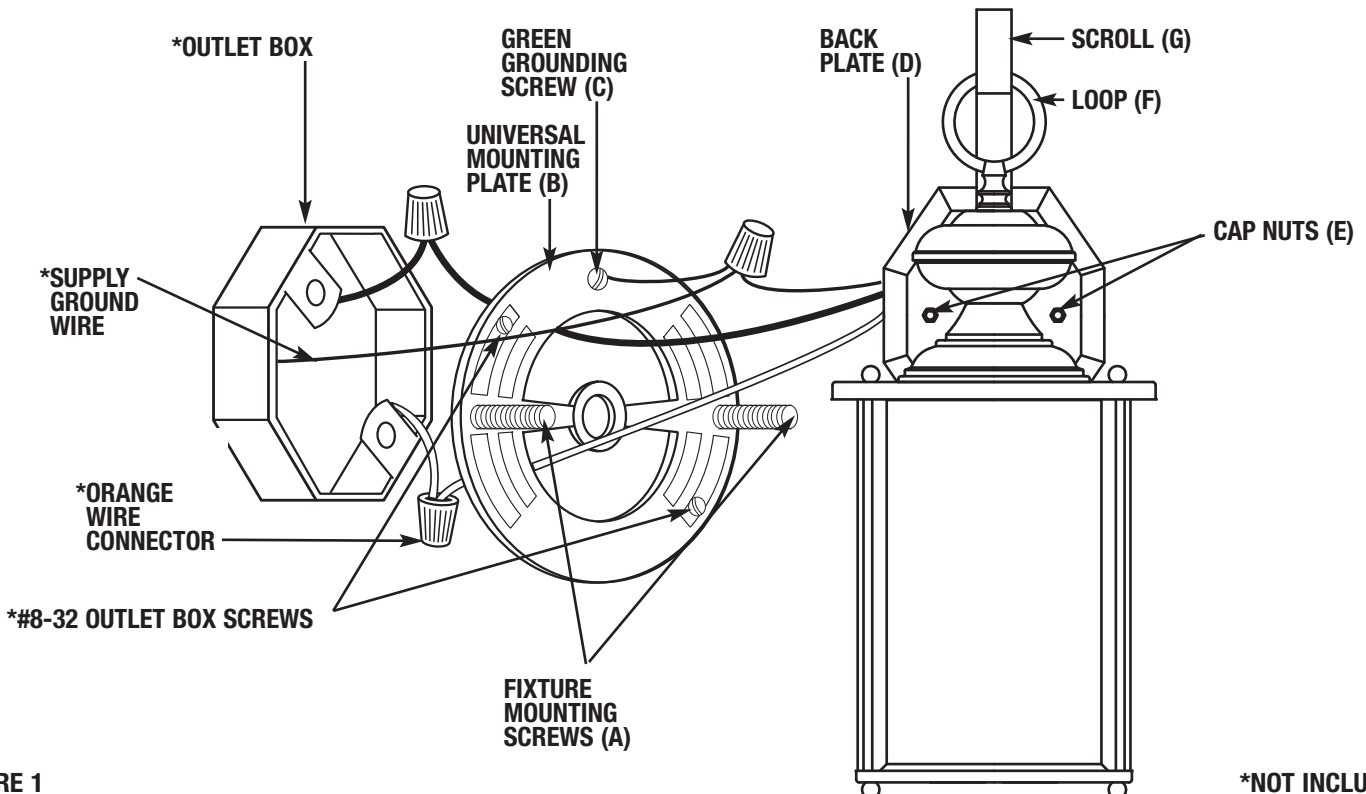
Carefully remove the fixture from the carton and check that all parts are included, as shown in Figure 1. Be careful not to misplace any of the screws or parts which are needed to install this fixture.

### STEP 2:

(If applicable) Thread loop (F) to top of fixture. Thread supplied #8-32 screw through scroll (G) and backplate (D). Thread supplied hex nut onto back plate side of #8-32 screw to secure scroll (G) to backplate (D).

### STEP 3:

Place end of scroll (G) into loop (F).



**INSTALLATION**

HC-231

**IMPORTANT: DO NOT ATTACH FIXTURE DIRECTLY TO OUTLET BOX WITHOUT THE USE OF A MOUNTING BAR.**

**STEP 1:**

Insert fixture mounting screws (A) in threaded holes of universal mounting plate (B). Run fixture mounting screws (A) all the way down to the heads.

**STEP 2:**

Place universal mounting plate (B) against outlet box (not supplied) and screw in place using #8-32 outlet box screws (not supplied). Be sure the mounting screws (A) are perfectly horizontal so fixture hangs straight.

**STEP 3:**

- A.** Use an orange listed wire connector to connect the 18AWG fixture hot wire (black wire, or round and smooth tracer) to the supply hot wire.
- B.** Use an orange listed wire connector to connect the 18AWG fixture common wire (white wire, or square and rigid) to the supply common wire.
- C.** Gently try to remove the wires from the connector. If you can remove the wires, carefully re-do the wiring connection.

**STEP 4:****GROUNDING INSTRUCTIONS:**

Connect the supply ground wire, fixture ground wire, and mounting bar ground wire (pre attached) using the supplied wiring connector. Gently try to remove the wires from the connector. If you can remove the wires, carefully re-do the wiring connection.

**FINAL ASSEMBLY**

**Make sure no bare wires can be seen outside wire connectors.**

**NOTE: IF GLASS PANELS ARE NOT INSTALLED, PLEASE FOLLOW THIS STEP: PLACE BOTTOM EDGE OF GLASS INTO CHANNEL. BEND TABS OVER EDGE TO SECURE IN PLACE.**

**STEP 1:**

After wires are connected, tuck them carefully inside the outlet box. Position backplate (D) over fixture mounting screws (A) and secure in by threading cap nuts (E) onto fixture mounting screws (A).

**STEP 2:**

Install lamps.

**NOTE FOR FIXTURES THAT ARE SOLID BRASS:**

Your handcrafted, solid brass lighting fixture has been coated with a durable, baked on acrylic lacquer which gives maximum protection against the weather. In time, however, the brightness of the brass will tarnish giving way to an authentic old world brass finish.

**NOTE:** To keep your solid polished brass fixture looking new for years to come, regularly apply a good quality non-abrasive car wax to all metal surfaces, giving the fixture an extra protective coating.