

Concealed Dual-Flush Technology Tank (UP200) and Carrier System for Wall-Hung Washdown Toilets



Model 111.255.00.1

Product Specifications

Carrier system and concealed tank with actuator flush panel or pneumatic push button for residential washdown wall-hung toilets. System shall fit within 6 3/4" (170 mm) framing wall or plumbing chase. Framing members should provide support similar to 2" x 6" (51 mm x 152 mm) wood construction or steel framing members placed 19 3/4" (500 mm) apart. Water supply shall have flow diameter no smaller than 1/2" (13 mm) copper tube, and a minimum flow pressure of 2 PSI (0.01 MPa). The toilet bowl shall be a third party listed low-consumption 1.6 GPF (6 LPF) or 1.6/0.8 GPF (6/3 LPF) dual-flush 2-hole wall-hung type. The carrier frame shall be adjustable for bowl rim heights from 15" to 19" (381 to 483 mm). Actuator flush panels shall be diecast zinc,

molded plastic or fabricated stainless steel and plated to preserve material integrity. All components shall be compliant with applicable codes and product standards.

Warranty

Limited lifetime warranty on tank and carrier, 10-year warranty on fill valve and flush valve. One-year warranty on actuator flush panels.

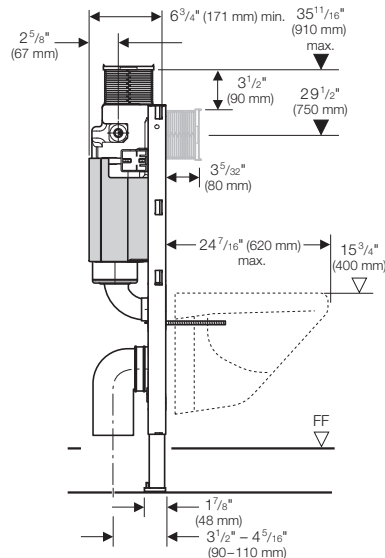
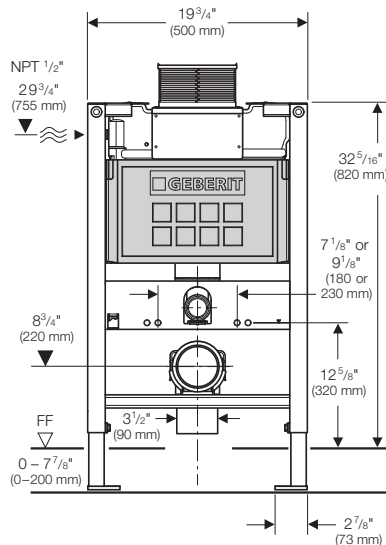
Features

- Water consumption – Dual-flush system allows 1.6/0.8 GPF (6/3 LPF), giving effective flush volume of 1.1 GPF (4 LPF)
- Anti-siphon fill valve
- Impact resistant high density polyethylene (HDPE) tank, insulated to prevent condensation

- 16-gauge, powder-coated, structural-steel tubing rated to 880 lbs. (400 kg) without damage to finished wall or carrier unit
- Bowl rim height adjustments from 15" to 19" (381 to 483 mm)
- 32 5/16" (820 mm) frame height
- For finished walls up to 3.5" (9cm) thick
- Small inspection opening for flush actuator plates Kappa
- Includes installation and rough-in materials

Complies with the latest editions of:

- ASME: A112.6.2, A112.19.5, A112.19.14
- ANSI Z124.4
- CSA B125.3
- ANSI/ASSE 1002
- IAPMO PS-50
- UNAR / UNAR-HET
- ASME A112.19.2
- This concealed tank is WaterSense® compliant when used in combination with the toilet bowl models listed on page 2 of this sheet.
- State of Massachusetts listed



Product specifications subject to change without notice.

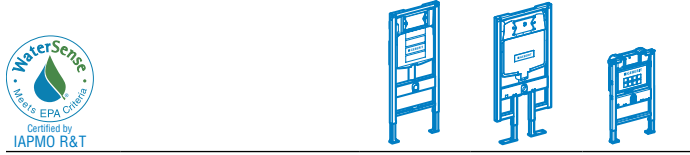


ARCHITECT/ENGINEER APPROVAL	
Job Name	_____
Date	_____
Quantity	_____
Model Specified	_____
Variations Specified	_____
Customer/Wholesaler	_____
Contractor	_____
Architect	_____

Geberit
2100 S. Clearwater Drive
Des Plaines, IL 60018

800/566-2100
Fax 847/803-5454
www.geberit.us

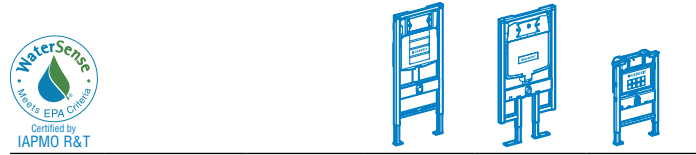
WaterSense Listed Wall-Hung Washdown Toilets



WaterSense EPA High-Efficiency Compatible Wall-Hung Toilet Bowls **Geberit Tank & Carrier Models**

Brand Name	Model Number*	Model Name	Geberit Tank & Carrier Models		
			111.335 Toilet Carrier 2x6 Stud Wall	111.728 Toilet Carrier 2x4 Stud Wall	111.255 Toilet Carrier Pre-Wall
Duravit	220509	2nd Floor	■		
	015609	Caro	■		
	220909	D-Code	■		
	020709	Darling	■		
	017509	Foster	■		
	017109	Happy D	■		
	221909	PuraVida	■		
	016009	Starck 2	■		
	220009	Starck 3	■		
	220209	Starck 3	■		
	220309	Starck 3	■		
	222609	Starck 3 elongated	■		
	220409	Starck X	■		
221709	Vero	■			
Laufen	8.2090.0	Alessi Dot	■		
	8.2067.1	Form	■		
	8.2097.6	Alessi One	■		
	8.2095.0	Laufen Pro	■		
	8.2095.2	Laufen Pro (compact)	■		
	8.2068.0	LB3	■		
	8.2043.5	Living City	■		
	8.2055.0	Mimo	■		
	8.2094.6	My Life	■		
	8.2080.1	Palomba	■		

■ Concealed tank and wall-hung toilet bowl combinations marked with this symbol in the tables above are WaterSense® listed combinations (this page only).



WaterSense EPA High-Efficiency Compatible Wall-Hung Toilet Bowls **Geberit Tank & Carrier Models**

Brand Name	Model Number*	Model Name	Geberit Tank & Carrier Models		
			111.335 Toilet Carrier 2x6 Stud Wall	111.728 Toilet Carrier 2x4 Stud Wall	111.255 Toilet Carrier Pre-Wall
Porcher	47010-11	Solutions	■		
Toto	CT418FG	Aquia	■	■	■
Villeroy & Boch	6612-xx-xx	Aveo	■		
	5664-xx-xx	Bellevue	■		
	6653-xx-xx	Century	■		
	6661-xx-xx	Hommage	■		
	5627-10-xx	La Belle	■		
	5628-10-xx	Memento	■		
	6664-xx-xx	Oblic	■		
	5674-10-xx	Omnia architectura	■		
	5678-10-xx	Omnia architectura Vita	■		
	5670-xx-xx	Pure Stone	■		
5622-xx-xx	Sentique	■			
6600-xx-xx	Subway	■			
5600-10-xx	Subway 2.0	■			

* Consult toilet manufacturers for up-to-date model numbers and availability.