

Installation Instructions

30 and 36" Electric Cooktop - Radiant

Excludes Down-Draft Models

Questions? Call us at 1.800.432.2737 or visit GEAppliances.com.
In Canada, call 1.800.561.3344 or visit GEAppliances.ca.

BEFORE YOU BEGIN

Read these instructions carefully and completely.

- **IMPORTANT** — Save these instructions for local inspector's use.
- **IMPORTANT** — Observe all governing codes and ordinances.
- **Note to Installer** – Be sure to leave these instructions with the consumer.
- **Note to Consumer** – Keep these instructions for future reference.
- Product failure due to improper installation is not covered under the Warranty.
- **⚠ WARNING** This appliance must be properly grounded.

- **ATTENTION INSTALLER**
ALL COOKTOPS MUST BE HARD WIRED (DIRECT WIRED) INTO AN APPROVED JUNCTION BOX. A "PLUG AND RECEPTACLE" IS NOT PERMITTED ON THESE PRODUCTS.

- Proper installation is the responsibility of the installer and product failure due to improper installation is NOT covered under warranty.
- Consider recycling options for your appliance packaging material.

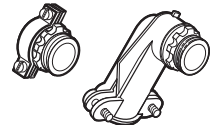
MATERIALS YOU WILL NEED



Junction Box



Wire Nuts



90° or Straight Squeeze Connector for 1" Conduit

TOOLS NEEDED



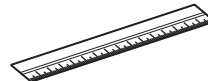
Pencil



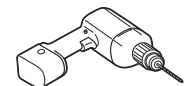
Phillips Head Screwdriver



Saber Saw



Ruler or Straightedge



1/8" Drill Bit & Electric or Hand Drill

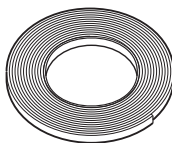


Safety Glasses

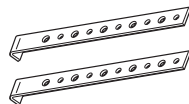
PARTS INCLUDED



4 Screws
(WB01X1137)



Foam Tape
(WB06K5042)



2 Hold Down Brackets

CUTTING THE COUNTERTOP

If you are installing the cooktop in a solid surface material such as granite, quartz or any other natural or synthetic solid surface, we recommend that the cutout be prepared by a professional cabinet or countertop installer.

Cooktop cutouts in wood or wood-laminate countertops may be able to be prepared using a saber saw and electric drill.

Installation Instructions

IMPORTANT SAFETY INSTRUCTIONS

FOR YOUR SAFETY

- For Personal Safety, remove house fuse or open circuit breaker before beginning installation. Failure to do so could result in serious injury or death.
- Be sure your cooktop is installed properly by a qualified installer or service technician.
- To eliminate the risk of burns or fire due to reaching over heated surface elements, cabinet storage located above the surface units should be avoided. If cabinet storage space is to be provided, the risk can be reduced by installing a range hood that projects horizontally a minimum of 5" beyond the bottom of the cabinets. Cabinet installation above the cooktop may be no deeper than 13".
- Make sure the cabinets and wall coverings around the cooktop can withstand the temperatures (up to 200°F) generated by the cooktop.
- The cooktop should be easy to reach and lighted with natural light during the day.
- Always disconnect the electrical service to the cooktop before repairing or servicing the cooktop. This can be done by disconnecting the fuse or circuit breaker. Failure to do this could result in a dangerous or fatal shock. Know where your main disconnect switch is located. If you do not know, have your electrician show you.

NOTE TO ELECTRICIAN: The power leads supplied with this appliance are UL recognized for connections to larger gauge household wiring. The insulation of these leads is rated at temperatures much higher than the temperature rating of household wiring. The current carrying capacity of a conductor is governed by the wire gauge and also the temperature rating of the insulation around the wire.

NOTE: ALUMINUM WIRING

⚠ WARNING INSTALLATIONS WITH ALUMINUM HOUSE WIRING REQUIRE ATTENTION:

A. Improper connection of Aluminum house wiring to appliance copper leads can result in an electrical hazard or fire. Use only connectors

designed for joining copper to aluminum and follow the manufacturer's recommend procedure closely.

- B. Aluminum to Copper wiring connections must conform with the National Electrical code, local codes and industry-accepted wiring practices.**
- C. If an anti-oxidant compound is added to the wiring connectors, the compound should be UL-Listed and suitable for the application materials, voltage and temperature.**
- D. Connectors for joining Aluminum and Copper wiring may be larger in size than standard connectors. It is recommended to use a double-gang, or larger, electrical box to enclose the connectors joining Aluminum and Copper wiring.**

ELECTRICAL REQUIREMENTS

This appliance must be supplied with the proper voltage and frequency, and connected to an individual, properly grounded branch circuit, protected by a circuit breaker or a time delay fuse as noted on name plate and the chart below.

KW Rating 240v	KW Rating 208V	Recommended Circuit Size (Dedicated)
≤4.8KW	≤4.1 KW	20 Amp
4.9 KW - 7.2 KW	4.2 KW - 6.2 KW	30 Amp
7.3 KW - 9.6 KW	6.3 KW - 8.3 KW	40 Amp
9.7 KW - 12.0 KW	8.4 KW - 10.4 KW	50 Amp

We recommend you have the electrical wiring and hookup of your cooktop connected by a qualified electrician. After installation, have the electrician show you where your main cooktop disconnect is located. Wiring must conform to National Electrical Code. You can get a copy of the National Electrical Code, ANSI/NFPA No. 70-Latest Edition, by writing to:

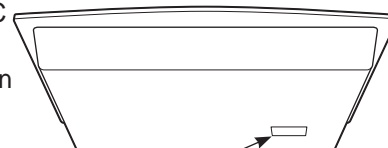
National Fire Protection Association
Batterymarch Park
Quincy, MA 02269

In Canada, wiring must conform to Canadian Electrical Code (CEC).

The cooktop conduit wiring is approved for copper wire connection only, and if you have aluminum house wiring, you must use special UL approved connectors for joining copper to aluminum. In Canada, you must use special CSA approved connectors for joining copper to aluminum. Installations with Aluminum House Wiring require attention. See Warning under **NOTES: ALUMINUM WIRING**, above.

You must use a two-wire, three conductor 208/240 VAC, 60 Hertz electrical system. A white (neutral) wire is not needed for this unit. The cooktop must be installed in a circuit that does not exceed 125 VAC nominal to ground.

Refer to the name plate on your cooktop for the KW rating for your cooktop.



Name plate location

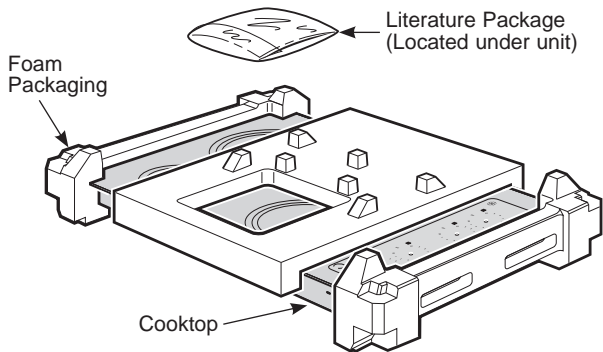
Installation Instructions

PRE-INSTALLATION CHECKLIST

⚠ WARNING The electrical power to the cooktop supply line must be shut off while connections are being made. Failure to do so could result in serious injury or death.

A When preparing cooktop opening, make sure the inside of the cabinet and the cooktop do not interfere with each other. (See section on preparing the opening.)

B Remove packaging materials and literature package from the cooktop before beginning installation.



C Be sure to place all literature, Owner's Manual, Installations, etc. in a safe place for future reference.

D Make sure you have all the tools and materials you need before starting the installation of the cooktop.

E Your home must provide the adequate electrical service needed to safely and properly use your cooktop. (Refer to section on electrical requirements.)

F When installing your cooktop in your home, make sure all local codes and ordinances are followed exactly as stated.

G Make sure the wall coverings, countertop and cabinets around the cooktop can withstand heat (up to 200°F) generated by the cooktop.

H Installing cooktop in combination with other products.

Both products must be installed according to their specific product installation instructions. Consideration must be given the separate electrical requirements and locations:

Over one or two wall ovens:

- Only certain models may be installed over wall ovens. The wall oven and cooktop will both have a label stating which models are approved in combination.

Over a Microwave:

- See microwave installation instructions for how to install a microwave under a cooktop. For vertical dimension of cooktop, see Approximate Cooktop Dimensions section.

In combination with telescopic downdraft vent:

- See telescopic downdraft vent instructions for how to install a vent behind a cooktop.
- The countertop must have a deep flat surface to accommodate the combined installation of the cooktop and vent.

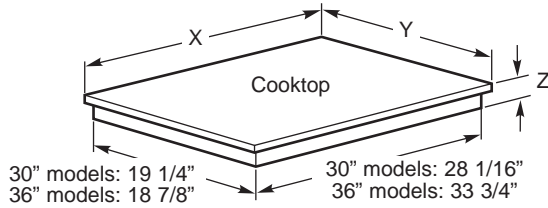
Over a warming drawer:

- See warming drawer instructions for how to install a warming drawer under a cooktop. For vertical dimension of cooktop, see Approximate Cooktop Dimensions section.

Installation Instructions

PREPARING THE OPENING

1 APPROXIMATE COOKTOP DIMENSIONS

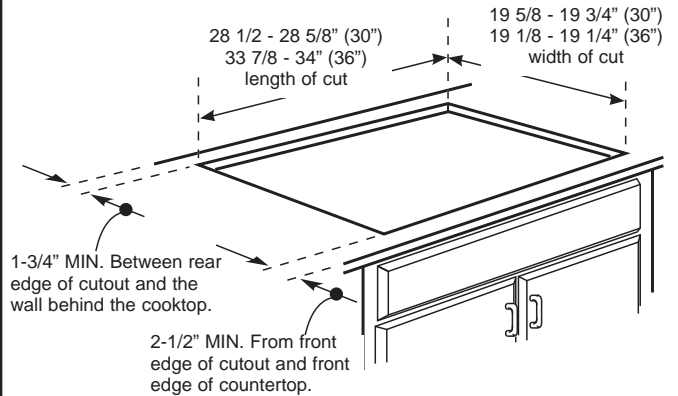


Size	Models	X	Y	Z Front	Z Rear*	
30"	JP3030DJBB JP3030DJWW	29 3/4"	20 7/8"	3 1/4"	4"	
	JEP5030DTBB	29 3/4"	20 7/8"	3 9/16"	4"	
	PEP7030DTBB PEP9030DTBB CEP90301TBB	29 3/4"	20 7/8"	3 9/16"	5 9/16"	
	JP3030SJSS	29 7/8"	21"	3 1/4"	4"	
	JEP5030STSS	29 7/8"	21"	3 9/16"	4"	
	PEP9030STSS CEP90302TSS	29 7/8"	21"	3 9/16"	5 9/16"	
	36"	JP3036DJBB JP3036DJWW	36"	20 3/8"	3 1/4"	4"
		JEP5036DTBB	36"	20 3/8"	3 9/16"	4"
PEP7036DTBB PEP9036DTBB CEP90361TBB		36"	20 3/8"	3 9/16"	5 9/16"	
JP3036SJSS		36 1/8"	20 7/16"	3 1/4"	4"	
JEP5036STSS		36 1/8"	20 7/16"	3 9/16"	4"	
PEP9036STSS CEP90362TSS		36 1/8"	20 7/16"	3 9/16"	5 9/16"	

* Depth at rear of cooktop at conduit location.

2 CUTOUT DIMENSIONS OF THE COUNTERTOP

To ensure accuracy, it may be best to create a template when cutting the opening in the counter.



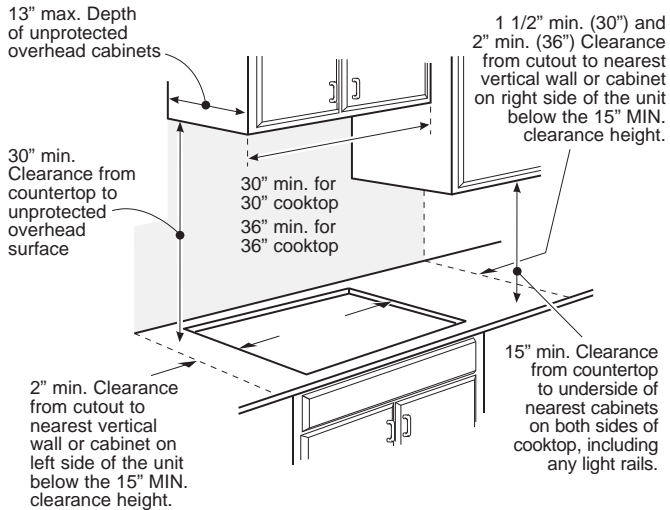
JXTR32 CUTOUT FILLER TRIM KIT (for use with 30" models):

A filler trim kit is available for use if your countertop cutout is larger than the dimensions shown, up to 29-13/16" x 20-7/16". Order JXTR32B (black) or JXTR32W (white) to reduce the cutout opening for installation of this cooktop. This kit may be ordered from your dealer or directly from GE Appliances at www.geappliances.com.

Installation Instructions

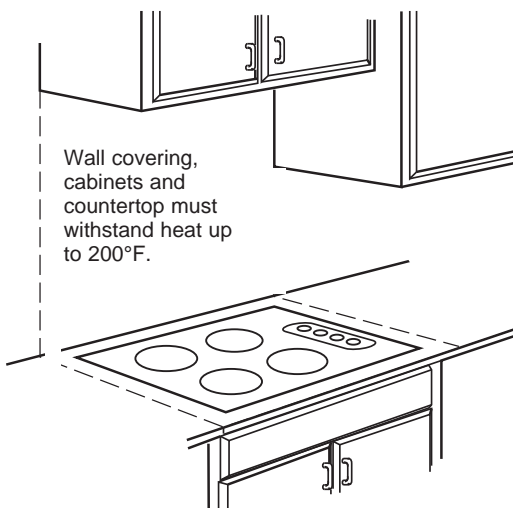
PREPARING THE OPENING (Cont)

3 MINIMUM CLEARANCES TO ADJACENT WALLS & CABINETS



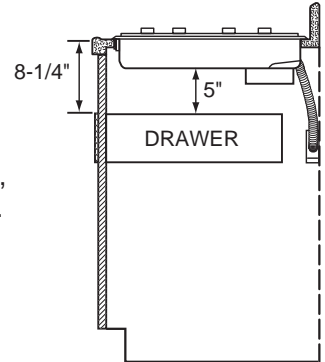
If a 30" clearance between the cooktop and overhead combustible materials or metal cabinet cannot be maintained, then a minimum clearance of 24" is required and the underside of the cabinets above the cooktop must be protected with not less than 1/4" insulating millboard covered with sheet metal not less than 30 gage (0.0125") thick. A ventilation hood may be installed above the cooktop. See the ventilation hood installation instructions for the appropriate dimensions and clearances.

4 Make sure the wall coverings, countertop and cabinets around the cooktop can withstand heat (up to 200°F) generated by cooktop.



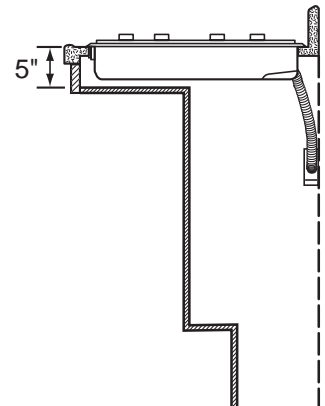
5 VERTICAL CLEARANCE

Allow 5" minimum vertical clearance from the cooktop bottom (or 8-1/4" minimum depth from the countertop) to any combustible surfaces, such as a cabinet drawer.

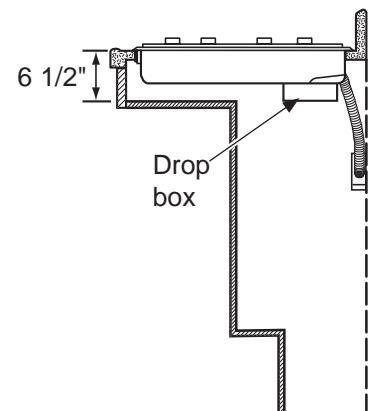


6 For Americans with Disabilities Act (ADA) Forward Approach Installation Only:

For models with no drop box, allow 5" minimum depth between the countertop and an enclosure. (JP3030, JP3530, JP3036, and JP3536)



For electronic touch and backlit knob models, allow 6-1/2" minimum depth between the countertop and an enclosure. (All other models)



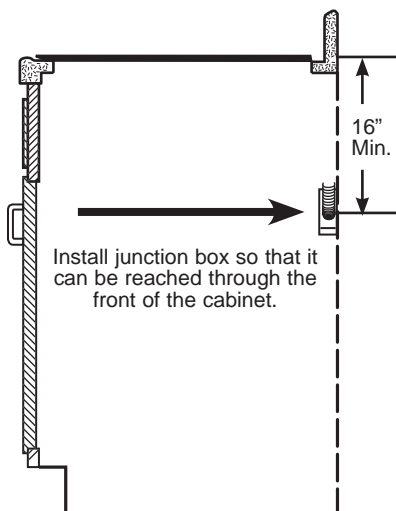
NOTE: The enclosure must be made of wood material. Also, an access panel is required for the junction box, hold-down brackets, and service.

Installation Instructions

INSTALLING THE COOKTOP

1 VERTICAL CLEARANCE

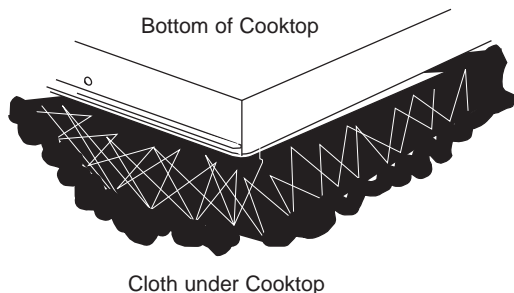
Install an approved junction box where it will be easily reached through the front of the cabinet where the cooktop will be located. The cooktop conduit is 4 feet long.



WARNING The junction box must be located where it will allow considerable slack in the conduit for serviceability.

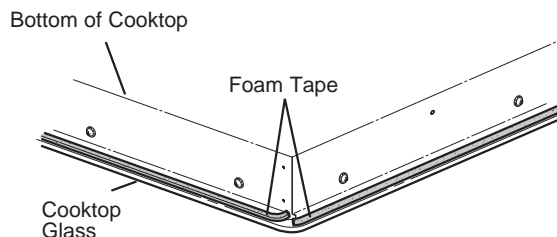
2 PROTECT SURFACE OF COOKTOP

Place a towel or tablecloth onto the countertop. Lay the cooktop upside down onto the protected surface.



3 ATTACH FOAM TAPE

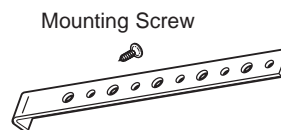
Apply the foam tape around the outer edge of the glass. Do not overlap the foam tape.



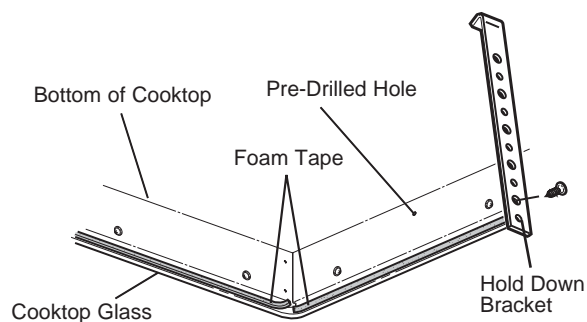
NOTE: On ZEU30 and ZEU36 models, apply the foam tape around the outer edge of the glass on the sides and rear of the unit only.

4 MOUNTING PARTS

Remove the hold down brackets and screws from the literature package.



Screw the hold down bracket to the side of the cooktop unit. Repeat for opposite side of cooktop.



Installation Instructions

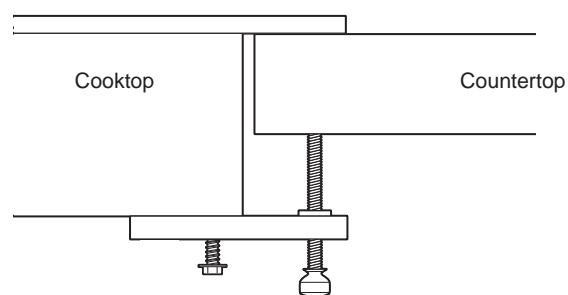
INSTALLING THE COOKTOP (Cont)

4 MOUNTING PARTS (Cont)

Alternate Installation:

You can order an alternate installation kit WB01X24570 with wing nuts and brackets by calling 800.GE.CARES. See diagram for instructions.

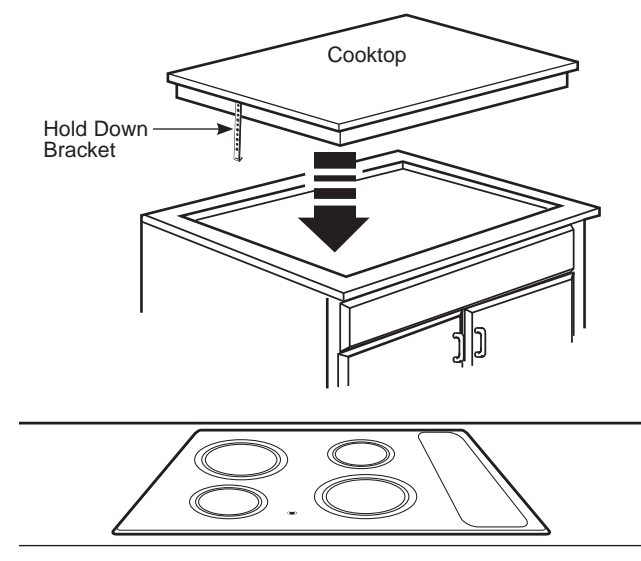
Open the cabinet door. Install the second screw through the bracket and tighten. Then tighten the first screw. Install thumbscrew until it touches the bottom of the countertop.



IMPORTANT: Turn the thumbscrew until it touches the bottom of the countertop. Do not overtighten.

5 INSERT COOKTOP INTO CUTOUT

Insert the cooktop centered into the cutout opening. Make sure the front edge of the countertop is parallel to the cooktop. Make final check that all required clearances are met.

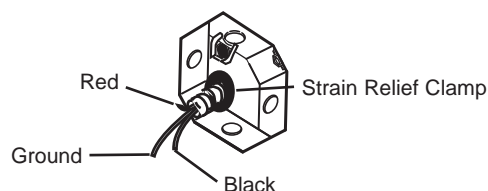


Attach Hold Down Brackets to cabinet.

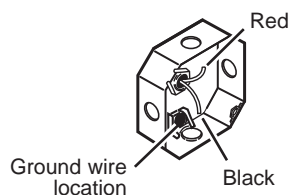
6 ELECTRICAL CONNECTIONS

WARNING Installations with Aluminum House Wiring require attention. See Warning under NOTES: ALUMINUM WIRING on page 2.

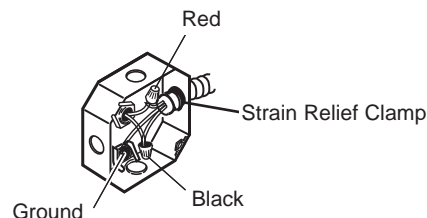
- A** When making the wire connections, use the entire length of conduit provided. **The conduit must not be shortened.**
- B** With the cooktop in place, open the front of the cabinet door.
- C** Insert the wires from the conduit through the opening of the junction box.



- D** Connect the red and black leads from the cooktop conduit to the corresponding leads in the junction box. Connect the ground wire.



- E** Once the connections are made, secure wires together using wire nuts.



Installation Instructions

INSTALLATION—ELECTRICAL CONNECTIONS

GROUNDING INSTRUCTIONS:

The ground wire in the conduit is connected to the cooktop frame. Effective January 1, 1996, the National Electrical Code will not permit grounding through neutral. If used in new construction after January 1, 1996 or in a mobile home, recreational vehicle or if local codes do not permit grounding through the neutral white lead, attach the appliance grounding lead (green or copper) to the residence grounding conductor (green or bare copper) in accordance with local codes. When connecting to a 3

conductor branch circuit, if local codes permit, connect the ground connector lead of the cooktop to the branch circuit neutral (gray or white in color).

⚠ WARNING If the cooktop is being installed into a blind counter (one with no cabinet opening below), wire connections must be made before putting the cooktop into the cutout opening.

CHECKLISTS

1 PRE-TEST CHECKLIST

- A** Remove all protective film, if present, and any stickers.
- B** Check to be sure that all wiring is secure and not pinched or in contact with moving parts.
- C** Check level of appliance.
- D** Check that the cooktop is properly grounded.

2 OPERATION CHECKLIST

- A** Remove all items from the top of the cooktop surface.
- B** Turn on the power to the cooktop (refer to your Owner's Manual). Verify that all surface burners operate properly.
- C** Check that the circuit breaker is not tripped nor the house fuse blown.
- D** Check that conduit is securely connected to the junction box.

Instructions d'installation

Table de cuisson électrique de 30 et 36 pouces – Rayonnement

Exclut les modèles à aspiration descendante

Des questions? Appelez-nous au 1.800.432.2737 ou visitez le site GEAppliances.com. Au Canada, composez le 1.800.561.3344 ou visitez ElectromenagersGE.ca

AVANT DE COMMENCER

Lisez attentivement et entièrement ces instructions.

- **IMPORTANT** — Conservez ces instructions à l'usage de l'inspecteur local.
- **IMPORTANT** — Observez tous les codes et règlements en vigueur
- **Note à l'installateur** – Assurez-vous de laisser ces instructions au consommateur.
- **Note à l'installateur** – Assurez-vous de laisser ces instructions au consommateur.
- La garantie ne couvre pas les défauts du produit causés par une installation inadéquate.

⚠ AVERTISSEMENT

- Cet appareil doit être mis à la terre correctement.

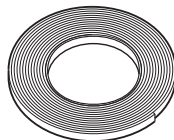
• **ATTENTION INSTALLATEUR**
TOUTES LES TABLES DE CUISSON DOIVENT ÊTRE CÂBLÉES (DIRECTEMENT CÂBLÉES) DANS UN BOÎTIER DE JONCTION APPROUVÉ. UN BRANCHEMENT PAR « FICHE ET PRISE » EST INTERDIT SUR CES PRODUITS.

- L'installation correcte est la responsabilité de l'installateur et la défaillance du produit due à une installation incorrecte n'est PAS couverte par la garantie.
- Jetez proprement le matériel d'emballage de l'appareil selon les options de recyclage à votre disposition.

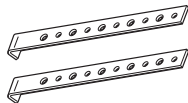
PIÈCES INCLUSES



4 vis
(WB01X1137)

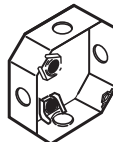


Ruban mousse
WB06K5042



2 brides de retenue

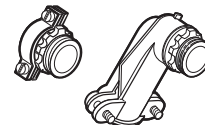
MATÉRIEL DONT VOUS AUREZ BESOIN



Boîte de jonction



Capuchons de connexion



Connecteur à pression 90° ou droit pour conduit 1 po

OUTILS REQUIS



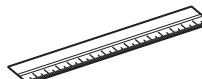
Crayon



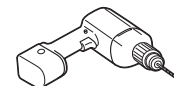
Tournevis à pointe cruciforme



Scie sauteuse



Règle ou limande



Foret 1/8 po et perceuse électrique ou manuelle



Lunettes de protection

DÉCOUPAGE DU COMPTOIR

Si vous installez la table de cuisson dans un matériau de surface solide tel que le granite, le quartz ou toute autre surface solide naturelle ou synthétique, nous vous recommandons de faire préparer la découpe par un installateur professionnel d'armoires ou de comptoirs.

Les découpes de table de cuisson dans des comptoirs en bois ou en bois stratifié peuvent être préparées à l'aide d'une scie sauteuse et d'une perceuse électrique.

Instructions d'installation

CONSIGNES DE SÉCURITÉ IMPORTANTES

POUR VOTRE SÉCURITÉ

- Pour la sécurité des personnes, retirez le fusible de la maison ou ouvrez le disjoncteur avant de commencer l'installation. Le non-respect de cette consigne peut entraîner des blessures graves ou mortelles.
- Assurez-vous que votre table de cuisson est correctement installée par un installateur ou un technicien qualifiés.
- Afin d'éliminer le risque de brûlures ou d'incendie posé par la présence d'armoires au-dessus des éléments chauffants de surface, le rangement dans de telles armoires devrait être évité. Si ce rangement est nécessaire, le risque peut être réduit en installant une hotte qui se projette horizontalement à un minimum de 5 po (12,7) au-delà du bas des armoires. La profondeur maximale des armoires installées au-dessus de la table de cuisson ne doit pas dépasser 13 po (33 cm).
- Assurez-vous que les armoires et les revêtements muraux autour de la table de cuisson peuvent supporter les températures (jusqu'à 200 °F) générées par la table de cuisson.
- La table de cuisson devrait être facile à atteindre et éclairée à la lumière naturelle pendant la journée.
- Débranchez toujours l'alimentation électrique de la table de cuisson avant de réparer ou d'entretenir la table de cuisson. Pour ce faire, déconnectez le fusible ou le disjoncteur. Le non-respect de cette consigne pose un risque de décharge électrique grave ou mortelle. Sachez où se trouve le disjoncteur principal de la maison. Si vous l'ignorez, demandez à votre électricien de vous l'indiquer.

NOTE À L'ÉLECTRICIEN : Les câbles électriques fournis avec cet appareil sont homologués UL pour les connexions à des câbles domestiques de plus grand calibre. L'isolation de ces câbles est évaluée à des températures beaucoup plus élevées que la température nominale du câblage domestique. Le courant permanent admissible d'un conducteur est déterminé par le calibre de câble et la température nominale de l'isolant autour du câble.

REMARQUE : CÂBLAGE EN ALUMINIUM

⚠ AVERTISSEMENT LES INSTALLATIONS AVEC CÂBLAGE DOMESTIQUE EN ALUMINIUM NÉCESSITENT UNE ATTENTION PARTICULIÈRE :

A. Une mauvaise connexion du câblage domestique en aluminium aux fils de cuivre de l'appareil peut entraîner un risque de choc électrique ou d'incendie. Utilisez

uniquement des connecteurs conçus pour relier le cuivre à l'aluminium et suivez attentivement la procédure recommandée par le fabricant.

- B. Les connexions de câblage de l'aluminium au cuivre doivent être conformes au code national de l'électricité, aux codes locaux et aux pratiques de câblage reconnues par l'industrie.
- C. Si un composé anti-oxydant est ajouté aux connecteurs de câblage, le composé doit être homologué UL et adapté aux matériaux, à la tension et à la température de l'application.
- D. Les connecteurs pour joindre câblage en aluminium et câblage en cuivre peuvent être de plus grand calibre que les connecteurs standard. Il est recommandé d'utiliser un boîtier électrique double ou plus grand pour contenir les connecteurs qui joignent les câbles en aluminium et en cuivre.

EXIGENCES ÉLECTRIQUES

Cet appareil doit être alimenté avec la tension et la fréquence appropriées et connecté à un circuit de dérivation individuel correctement mis à la terre, protégé par un disjoncteur ou un fusible temporisé, comme indiqué sur la plaque signalétique et le tableau ci-dessous.

Puiss. nom. (kW) - 240 V	Puiss. nom. (kW) - 208 V	Calibre de circuit recommandé (dédié)
≤4.8KW	≤4.1 KW	20 ampères
4.9 KW - 7.2 KW	4.2 KW - 6.2 KW	30 ampères
7.3 KW - 9.6 KW	6.3 KW - 8.3 KW	40 ampères
9.7 KW - 12.0 KW	8.4 KW - 10.4 KW	50 ampères

Nous vous recommandons de faire appel à un électricien qualifié pour réaliser le câblage électrique et le branchement de votre table de cuisson. Après l'installation, demandez à l'électricien de vous montrer où se trouve le disjoncteur principal de votre table de cuisson.

Le câblage électrique doit être conforme au Code national de l'électricité. Vous pouvez obtenir un exemplaire du Code national de l'électricité américain, ANSI/NFPA No. 70, dernière édition, en écrivant à :

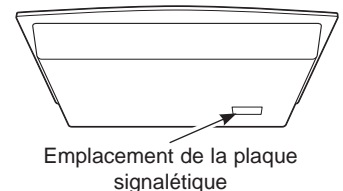
National Fire Protection Association
Batterymarch Park
Quincy, MA 02269

Au Canada, le câblage électrique doit être conforme au Code canadien de l'électricité.

Le câblage du conduit de la table de cuisson est approuvé pour la connexion de fils de cuivre uniquement; si vous disposez d'un câblage domestique en aluminium, vous devez utiliser des connecteurs homologués UL spéciaux pour relier le cuivre à l'aluminium. Au Canada, vous devez utiliser des connecteurs spéciaux homologués CSA pour relier le cuivre à l'aluminium. Les installations avec câblage domestique en aluminium nécessitent une attention particulière. Voyez l'avertissement sous **REMARQUE : CÂBLAGE EN ALUMINIUM, ci-dessus.**

Vous devez utiliser un système électrique à deux fils, trois conducteurs, 208/240 VCA, 60 Hertz. Un fil blanc (neutre) n'est nécessaire pour cet appareil. La table de cuisson doit être installée dans un circuit qui ne dépasse pas une tension nominale à la terre de 125 VCA.

Reportez-vous à la plaque signalétique de votre table de cuisson pour connaître la puissance nominale en kW de votre table de cuisson.



Instructions d'installation

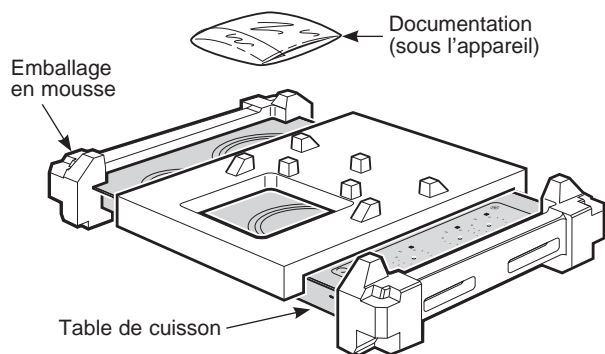
LISTE DE VÉRIFICATION AVANT L'INSTALLATION

⚠ AVERTISSEMENT

L'alimentation électrique de la ligne d'alimentation de la table de cuisson doit être coupée pendant les branchements. Le non-respect de cette consigne peut entraîner des blessures graves ou mortelles.

A Lors de la préparation de l'ouverture de la table de cuisson, assurez-vous que l'intérieur de l'armoire et la table de cuisson ne se gênent pas. (Voyez la section sur la préparation de l'ouverture.)

B Retirez le matériel d'emballage et la documentation de la table de cuisson avant de commencer l'installation.



C Assurez-vous de placer toute la documentation (manuel d'utilisation, instructions d'installation, etc.) dans un endroit sûr pour référence ultérieure.

D Assurez-vous d'avoir tous les outils et matériaux dont vous avez besoin avant de commencer l'installation de la table de cuisson.

E Votre maison doit fournir le service électrique adéquat nécessaire pour utiliser correctement et en toute sécurité votre table de cuisson. (Reportez-vous à la section sur les exigences électriques.)

F Lors de l'installation de votre table de cuisson, assurez-vous que tous les codes et règlements locaux sont respectés exactement comme indiqué.

G Assurez-vous que les revêtements muraux, le comptoir et les armoires autour de la table de cuisson peuvent résister à la chaleur (jusqu'à 200 °F) générée par la table de cuisson.

H Installation d'une table de cuisson en combinaison avec un autre produit.

Les deux produits doivent être installés conformément à leurs instructions d'installation spécifiques. Les exigences et les emplacements électriques distincts doivent être pris en compte :

Au-dessus d'un ou de deux fours muraux :

- Seuls certains modèles peuvent être installés au-dessus de fours muraux. Le four mural et la table de cuisson sont tous deux dotés d'une étiquette indiquant les modèles approuvés en combinaison.

Au-dessus d'un micro-ondes :

- Voyez les instructions d'installation du micro-ondes pour savoir comment installer un micro-ondes sous une table de cuisson. Pour connaître les dimensions verticales de la table de cuisson, reportez-vous à la section Dimensions approximatives de la table de cuisson.

En combinaison avec l'évent télescopique à aspiration descendante :

- Voyez les instructions de l'évent télescopique à aspiration descendante pour l'installation d'un évent derrière une table de cuisson.
- Le comptoir doit avoir une surface plane et profonde pour accueillir l'installation combinée de la table de cuisson et de l'évent.

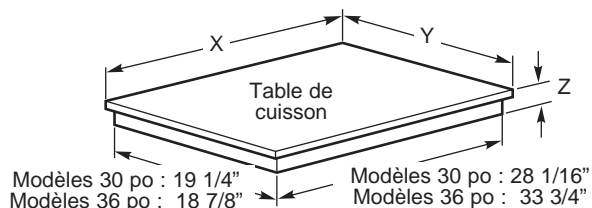
Au-dessus d'un tiroir chauffe-plat :

- Voyez les instructions du tiroir chauffe-plat pour savoir comment installer un tiroir chauffe-plat sous une table de cuisson. Pour connaître les dimensions verticales de la table de cuisson, reportez-vous à la section Dimensions approximatives de la table de cuisson.

Instructions d'installation

PRÉPARATION DE L'OUVERTURE

1 DIMENSIONS APPROXIMATIVES DE LA TABLE DE CUISSON

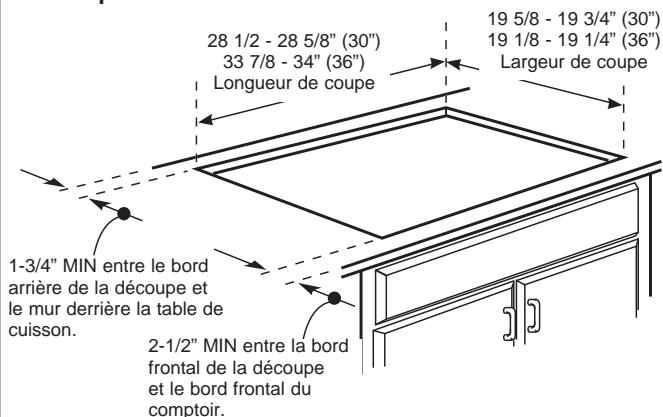


Taille	Modèles	X	Y	Z avant	Z arrière*	
30"	JP3030DJBB JP3030DJWW	29 3/4"	20 7/8"	3 1/4"	4"	
	JEP5030DTBB	29 3/4"	20 7/8"	3 9/16"	4"	
	PEP7030DTBB PEP9030DTBB CEP90301TBB	29 3/4"	20 7/8"	3 9/16"	5 9/16"	
	JP3030SJSS	29 7/8"	21"	3 1/4"	4"	
	JEP5030STSS	29 7/8"	21"	3 9/16"	4"	
	PEP9030STSS CEP90302TSS	29 7/8"	21"	3 9/16"	5 9/16"	
	36"	JP3036DJBB JP3036DJWW	36"	20 3/8"	3 1/4"	4"
		JEP5036DTBB	36"	20 3/8"	3 9/16"	4"
PEP7036DTBB PEP9036DTBB CEP90361TBB		36"	20 3/8"	3 9/16"	5 9/16"	
JP3036SJSS		36 1/8"	20 7/16"	3 1/4"	4"	
JEP5036STSS		36 1/8"	20 7/16"	3 9/16"	4"	
PEP9036STSS CEP90362TSS		36 1/8"	20 7/16"	3 9/16"	5 9/16"	

* Profondeur à l'arrière de la table de cuisson à l'emplacement du conduit.

2 DIMENSIONS DE LA DÉCOUPE DU COMPTOIR

Pour garantir la précision, il peut être préférable de créer un gabarit lors de la découpe de l'ouverture dans le comptoir.



TROUSSE DE GARNITURE DE REMPLISSAGE POUR DÉCOUPE JXTR32 (pour modèles 30 po) :

Une trousse de garniture de remplissage est disponible si la découpe du comptoir est plus grande que les dimensions indiquées, jusqu'à 29 13/16 x 20 7/16 po. Commandez la trousse JXTR32B (noir) ou JXTR32W (blanc) pour réduire l'ouverture de découpe pour l'installation de cette table de cuisson. Cette trousse peut être commandée auprès de votre revendeur ou directement auprès de GE Appliances sur ElectromenagersGE.ca.

Instructions d'installation

PRÉPARATION DE L'OUVERTURE (suite)

3 DÉGAGEMENTS MINIMAUX AUX MURS ET ARMOIRES ADJACENTS

13" max : Profondeur des armoires au-dessus non protégées

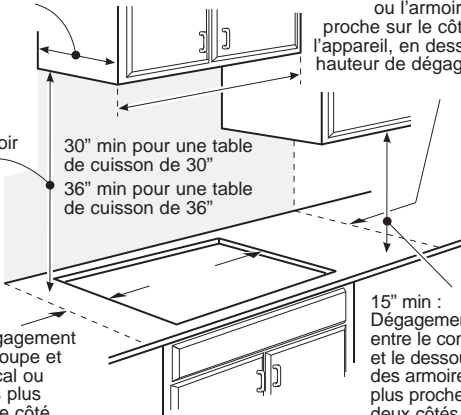
1 1/2" min (30") et 2" min (36") : Dégagement entre la découpe et le mur vertical ou l'armoire les plus proche sur le côté droit de l'appareil, en dessous de la hauteur de dégagement de 15" MIN.

30" min : Dégagement entre le comptoir et la surface au-dessus non protégée

30" min pour une table de cuisson de 30"
36" min pour une table de cuisson de 36"

2" min : Dégagement entre la découpe et le mur vertical ou l'armoire les plus proche sur le côté gauche de l'appareil, en dessous de la hauteur de dégagement de 15" MIN.

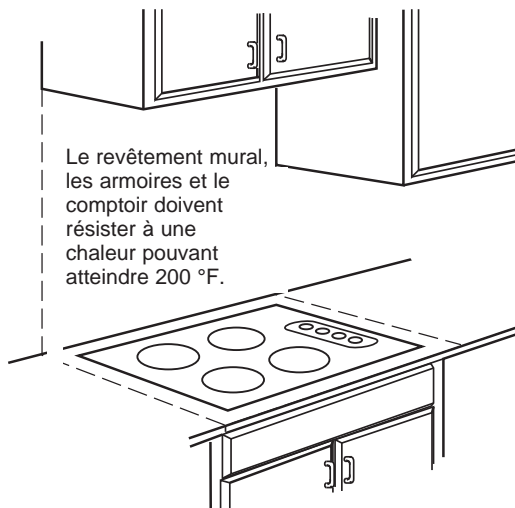
15" min : Dégagement entre le comptoir et le dessous des armoires les plus proches des deux côtés de la table de cuisson, incluant tout rail d'éclairage.



Si un dégagement de 30 po entre la table de cuisson et les matériaux combustibles ou l'armoire métallique au-dessus ne peut pas être maintenu, un dégagement minimum de 24 po est alors nécessaire et le dessous des armoires au-dessus de la table de cuisson doit être protégé avec un carton à l'enrouleuse isolant (insulating millboard) d'au moins 1/4 po d'épaisseur recouvert d'une tôle d'un calibre minimal de 30 (0,0125 po d'épaisseur).

Une hotte peut être installée au-dessus de la table de cuisson. Voyez les instructions d'installation de la hotte pour les dimensions et les dégagements appropriés.

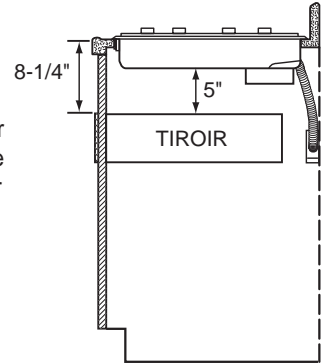
4 Assurez-vous que les revêtements muraux, le comptoir et les armoires autour de la table de cuisson peuvent résister à la chaleur (jusqu'à 200 °F) générée par la table de cuisson.



Le revêtement mural, les armoires et le comptoir doivent résister à une chaleur pouvant atteindre 200 °F.

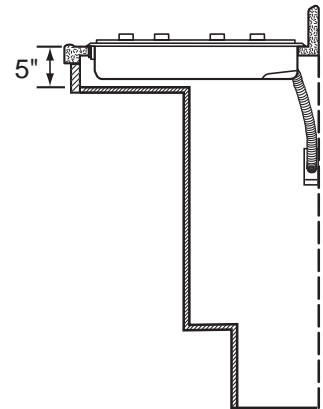
5 DÉGAGEMENT VERTICAL

Laissez un dégagement vertical d'au moins 5 po entre le bas de la table de cuisson (ou une profondeur minimale de 8 1/4 po à partir du comptoir) et toute surface combustible, telle qu'un tiroir d'armoire.

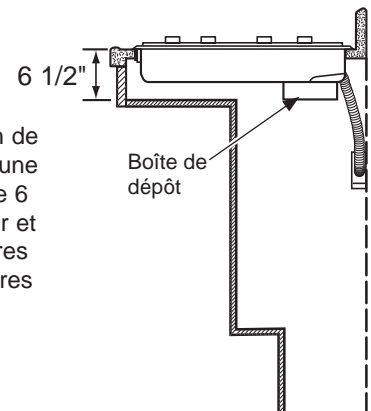


6 Installation rapprochée pour les personnes handicapées aux États-Unis (Americans with Disabilities Act [ADA]) seulement :

Pour les modèles sans boîte de dépôt, allouez une profondeur minimale de 5 po entre le comptoir et l'enceinte. (JP3030, JP3530, JP3036 et JP3536)



Pour les modèles à touche tactile et bouton de rétroéclairage, allouez une profondeur minimale de 6 1/2 po entre le comptoir et l'enceinte (tous les autres modèles). (Tous les autres modèles)



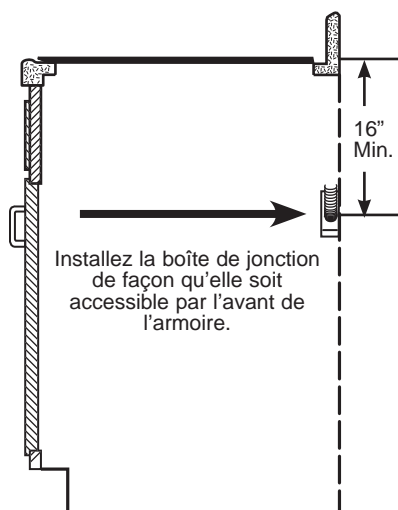
REMARQUE : L'enceinte doit être construite en bois. Un panneau d'accès est également requis pour la boîte de jonction, les brides de retenue et l'entretien.

Instructions d'installation

INSTALLATION DE LA TABLE DE CUISSON

1 DÉGAGEMENT VERTICAL

Installez une boîte de jonction approuvée à un endroit où elle sera facilement accessible par l'avant de l'armoire où se trouve la table de cuisson. Le conduit de la table de cuisson mesure 4 pieds (1,2 m) de long.



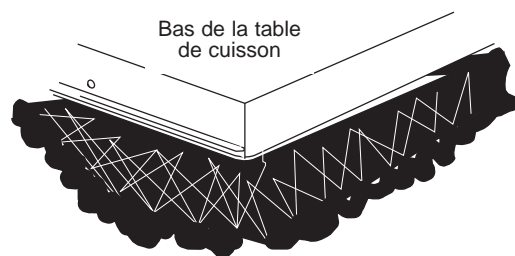
Installez la boîte de jonction de façon qu'elle soit accessible par l'avant de l'armoire.

⚠ AVERTISSEMENT

La boîte de jonction doit être située à un endroit où elle laisse beaucoup de jeu dans le conduit pour faciliter l'entretien.

2 PROTECTION DE LA SURFACE DE LA TABLE DE CUISSON

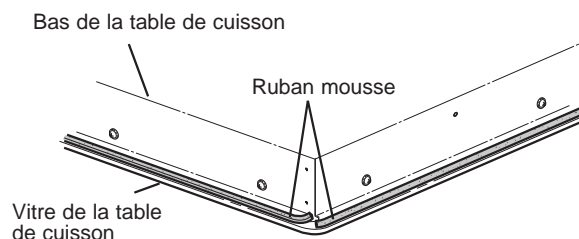
Placez une serviette ou une nappe sur le comptoir. Posez la table de cuisson à l'envers sur la surface protégée.



Serviette sous la table de cuisson

3 FIXATION DU RUBAN MOUSSE

Appliquez le ruban mousse autour du bord extérieur de la vitre. Ne chevauchez pas le ruban mousse.

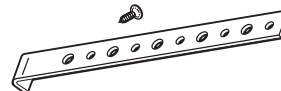


REMARQUE : Sur les modèles ZEU30 et ZEU36, appliquez le ruban mousse autour du bord extérieur de la vitre, sur les côtés et l'arrière de l'appareil seulement.

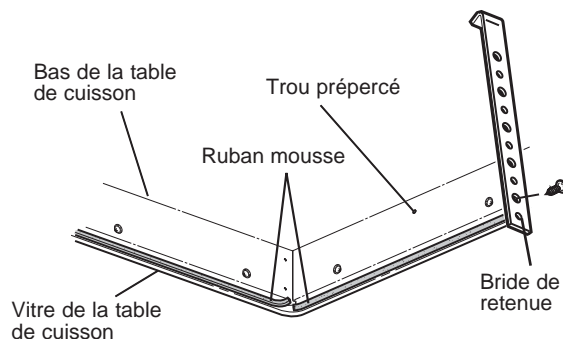
4 PIÈCES DE MONTAGE

Retirez les brides de retenue et les vis du sac de documentation.

Vis de montage



Vissez la bride de retenue sur le côté de la table de cuisson. Répétez de l'autre côté de la table de cuisson.



Instructions d'installation

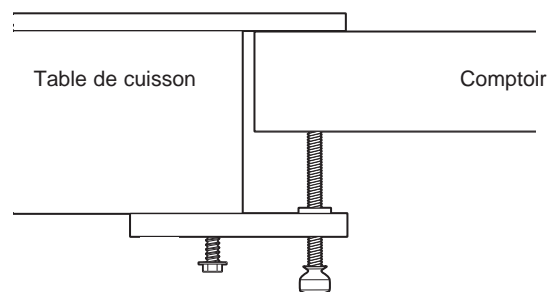
INSTALLATION DE LA TABLE DE CUISSON (suite)

4 PIÈCES DE MONTAGE (suite)

Autre méthode d'installation :

Vous pouvez commander l'autre trousse d'installation WB01X24570 avec écrous à oreilles et brides en appelant le 800.GE.CARES. Voyez le schéma pour les instructions.

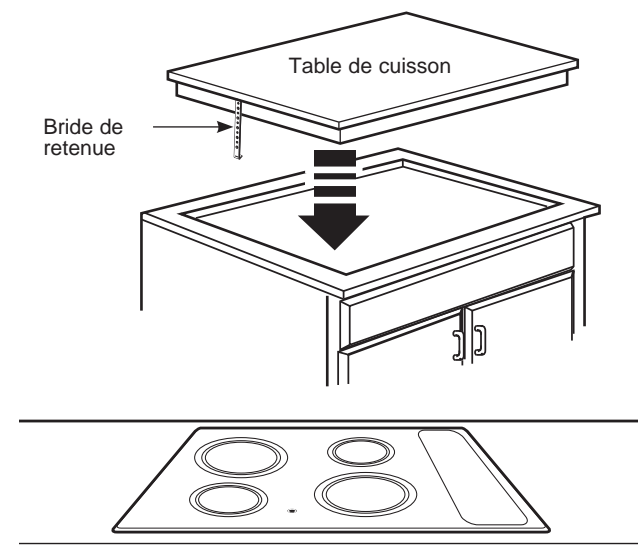
Ouvrez la porte de l'armoire. Installez la deuxième vis dans le support et serrez. Serrez ensuite la première vis. Installez la vis de serrage jusqu'à ce qu'elle touche le bas du comptoir.



IMPORTANT: Tournez la vis de serrage jusqu'à ce qu'elle touche le bas du comptoir. Ne serrez pas excessivement.

5 INSÉREZ LA TABLE DE CUISSON DANS LA DÉCOUPE

Insérez la table de cuisson en la centrant dans la découpe. Assurez-vous que la table de cuisson est parallèle au bord avant du comptoir. Vérifiez une dernière fois que tous les dégagements sont respectés.

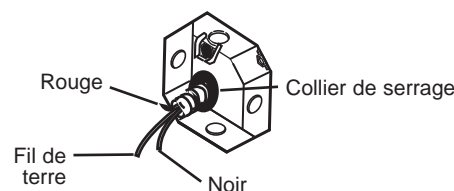


Fixez les brides de retenue sur l'armoire.

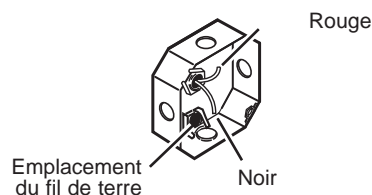
6 CONNEXIONS ÉLECTRIQUES

⚠ AVERTISSEMENT Les installations avec câblage domestique en aluminium nécessitent une attention particulière. Voyez l'avertissement sous **REMARQUE : CÂBLAGE EN ALUMINIUM** à la page 2.

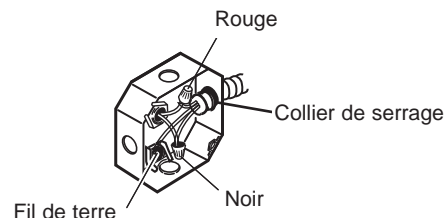
- A** Lorsque vous effectuez les connexions des fils, utilisez toute la longueur du conduit fourni. Le conduit ne doit pas être raccourci.
- B** Une fois la table de cuisson en place, ouvrez l'avant de la porte d'armoire.
- C** Insérez les fils du conduit dans l'ouverture de la boîte de jonction.



- D** Connectez les fils rouge et noir du conduit de la table de cuisson sur les fils correspondants dans la boîte de jonction. Connectez le fil de terre.



- E** Une fois les connexions effectuées, attachez les fils ensemble à l'aide de capuchons de connexion.



Instructions d'installation

INSTALLATION — CONNEXIONS ÉLECTRIQUES

INSTRUCTIONS DE MISE À LA TERRE

Le fil de terre dans le conduit est connecté au cadre de la table de cuisson. Depuis le 1er janvier 1996, le Code national de l'électricité ne permet pas la mise à la terre par le neutre. S'il est utilisé dans une nouvelle construction après 1er janvier 1996 ou dans une maison mobile, un véhicule récréatif ou si les codes locaux ne permettent pas la mise à la terre par le fil blanc neutre, fixez le fil de terre de l'appareil (vert ou cuivre) au conducteur de mise à la terre de la demeure (vert ou cuivre nu) conformément aux codes locaux. Lorsque vous connectez un circuit de dérivation à 3 conducteurs, si les codes locaux

le permettent, connectez le fil de mise à la terre de la table de cuisson au neutre du circuit de dérivation (gris ou blanc).

⚠ AVERTISSEMENT Si la table de cuisson est installée dans un « comptoir aveugle » (un comptoir sans ouverture d'armoire en dessous), les connexions des files doivent être effectuées avant de placer la table de cuisson dans l'ouverture de découpe.

LISTES DE VÉRIFICATION

1 LISTE DE VÉRIFICATION AVANT LE TEST

- A** Retirez tout la pellicule de protection, le cas échéant, ainsi que tous les autocollants.
- B** Vérifiez que tout le câblage est bien fixé et qu'il n'est pas pincé ou en contact avec des pièces mobiles.
- C** Vérifiez le niveau de l'appareil.
- D** Vérifiez que la table de cuisson est correctement mise à la terre.

2 LISTE DE VÉRIFICATION DU FONCTIONNEMENT

- A** Retirez tous les articles de la surface de la table de cuisson.
- B** Mettez la table de cuisson sous tension (reportez-vous à votre manuel d'utilisation). Vérifiez que tous les brûleurs de surface fonctionnent correctement.
- C** Vérifiez que le disjoncteur ne s'est pas déclenché ou que le fusible de la maison n'a pas grillé.
- D** Vérifiez que le conduit est solidement connecté à la boîte de jonction.