

# PVM9005SJ/EJ/BL/FM

## GE Profile™ Series 2.1 cu. ft. Over-the-Range Sensor Microwave Oven

### DIMENSIONS AND INSTALLATION INFORMATION (IN INCHES)

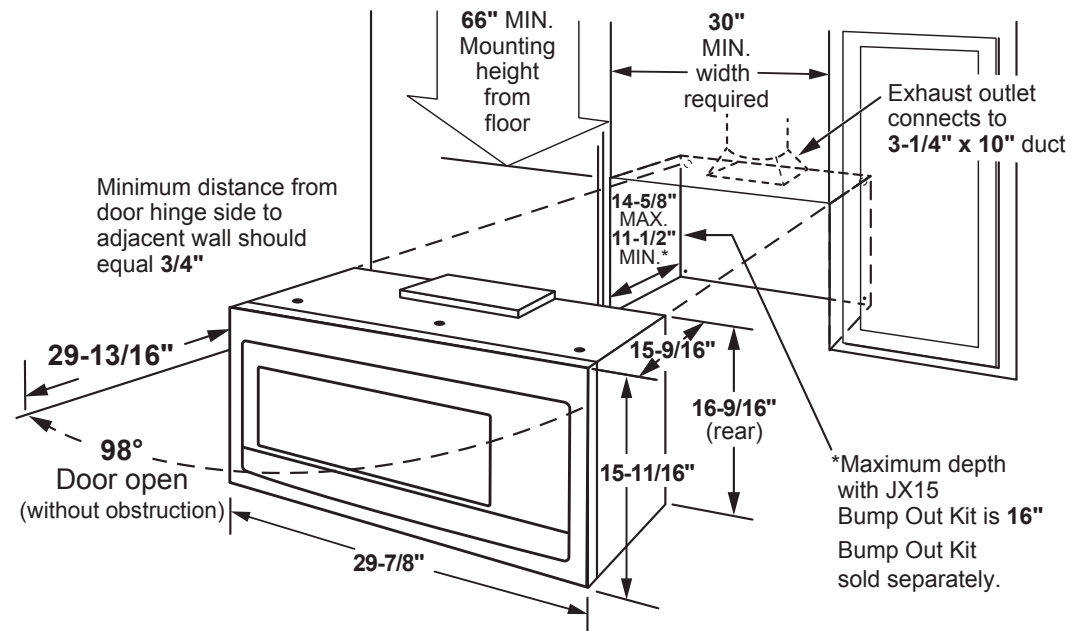
**NOTE:** Requires 120V grounded outlet. Electrical receptacle must be located in cabinet above microwave oven. No additional wiring, venting or cabinet rebuilding necessary in many cases. Complete detailed, easy-to-follow installation instructions and convenient full-size templates are packed with the Spacemaker microwave oven.

**IMPORTANT INFORMATION:** When installing the microwave oven over a range, allow minimum of 2" from bottom of microwave oven to top of range backguard to allow for removal of light covers.

**VENTILATION OPTIONS:** The microwave ovens are designed for adaptation to the following three types of ventilation:

- Outside exhaust (vertical - as shown)
- Outside exhaust (horizontal)
- Recirculating (non-vented ductless - see Filter Kit drawing)

**INSTALLATION INFORMATION:** This information is not intended to be used for installing unit described. Before installing, consult installation instructions packed with product/kit for current dimensional data.



For answers to your Monogram, Café™, GE Profile™ or GE Appliances product questions, visit our website at [geappliances.com](http://geappliances.com) or call GE Answer Center™ Service, 800.626.2000.



Listed by  
Underwriters  
Laboratories

Specification Revised 6/23

# PVM9005SJ/EJ/BL/FM

## GE Profile™ Series 2.1 cu. ft. Over-the-Range Sensor Microwave Oven

### DIMENSIONS AND INSTALLATION INFORMATION (IN INCHES)

**HOOD EXHAUST DUCT:** Outside ventilation requires a HOOD EXHAUST DUCT. Read the following carefully.

**EXHAUST CONNECTION:** The hood exhaust has been designed to mate with a standard 3-1/4" x 10" rectangular duct. If a round duct is required, a rectangular-to-round transition adaptor must be used. Do not use less than a 6" diameter duct.

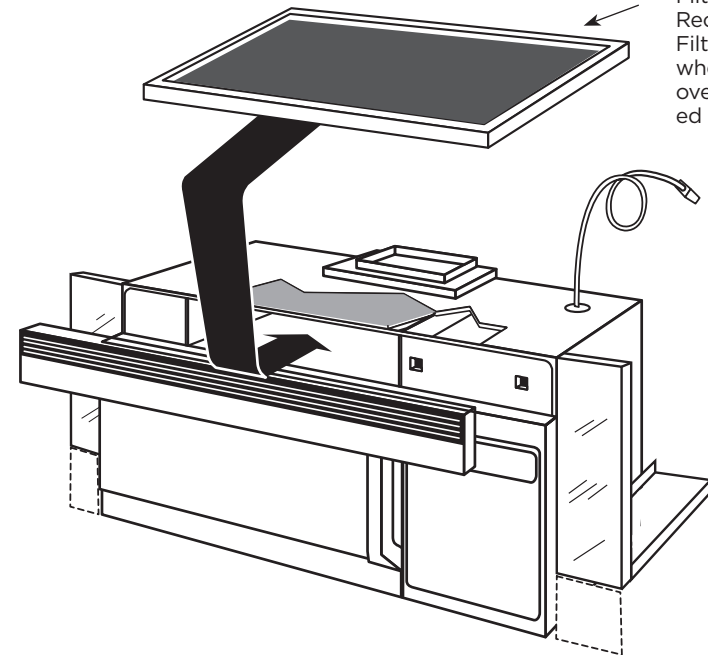
**REAR EXHAUST:** If a rear or horizontal exhaust is to be used, care should be taken to align exhaust with space between studs, or wall should be prepared at the time it is constructed by leaving enough space between the wall studs to accommodate exhaust.

**MAXIMUM DUCT LENGTH:** For satisfactory air movement, the total duct length of 3-1/4" x 10" rectangular or 6" diameter round duct should not exceed 140 equivalent feet.

**ELBOWS, TRANSITIONS, WALL AND ROOF CAPS, etc.,** present additional resistance to airflow and are equivalent to a section of straight duct which is longer than their actual physical size. When calculating the total duct length, add the equivalent length of all transitions and adaptors plus the lengths of all straight duct sections. The chart below shows the approximate feet of equivalent length of some typical ducts.

DUCT	EQUIVALENT FEET
<b>A.</b> Rectangular-To-round Transition Adaptor	5 ft.
<b>B.</b> Wall Cap	40 ft.
<b>C.</b> 90° Elbow	10 ft.
<b>D.</b> 45° Elbow	5 ft.
<b>E.</b> 90° Elbow	25 ft.
<b>F.</b> 45° Elbow	5 ft.
<b>G.</b> Roof Cap	24 ft.

### OPTIONAL ACCESSORIES (AVAILABLE AT ADDITIONAL COST)



Filter Kit JX81C-  
Recirculating Charcoal  
Filter Kit To be used  
when the microwave  
oven cannot be vent-  
ed to the outside.



For answers to your Monogram, Café™ Series, GE Profile™ Series or GE Appliances product questions, visit our website at [geappliances.com](http://geappliances.com) or call GE Answer Center® Service, 800.626.2000.

# PVM9005SJ/EJ/BL/FM

## GE Profile™ Series 2.1 cu. ft. Over-the-Range Sensor Microwave Oven

### FEATURES AND BENEFITS

2.1 cu. ft. capacity - 1050 Watts (IEC-705 test procedure)

Chef Connect - Three options with a single touch. For instant convenience, choose when to automatically sync clocks and the range burners with the microwave's surface light and vent

Bottom control with integrated handle - Enjoy a sleek appearance that makes cleaning easy

Upfront charcoal filter with indicator light - Light indicates when odor-removing charcoal filter needs to be replaced

Four-speed, 400-CFM venting system - Removes smoke, steam and odors

10 power levels - Multiple power levels offer cooking flexibility

"Add 30 seconds" button - Add 30 seconds of microwave cooking time

Turntable On/Off - Controls turntable operation

Sensor cooking controls - Automatically adjusts time and power

Model PVM9005SJSS - Stainless steel

Model PVM9005BLTS - Black Stainless

Model PVM9005FMDS - Black Slate

Model PVM9005EJES - Slate

