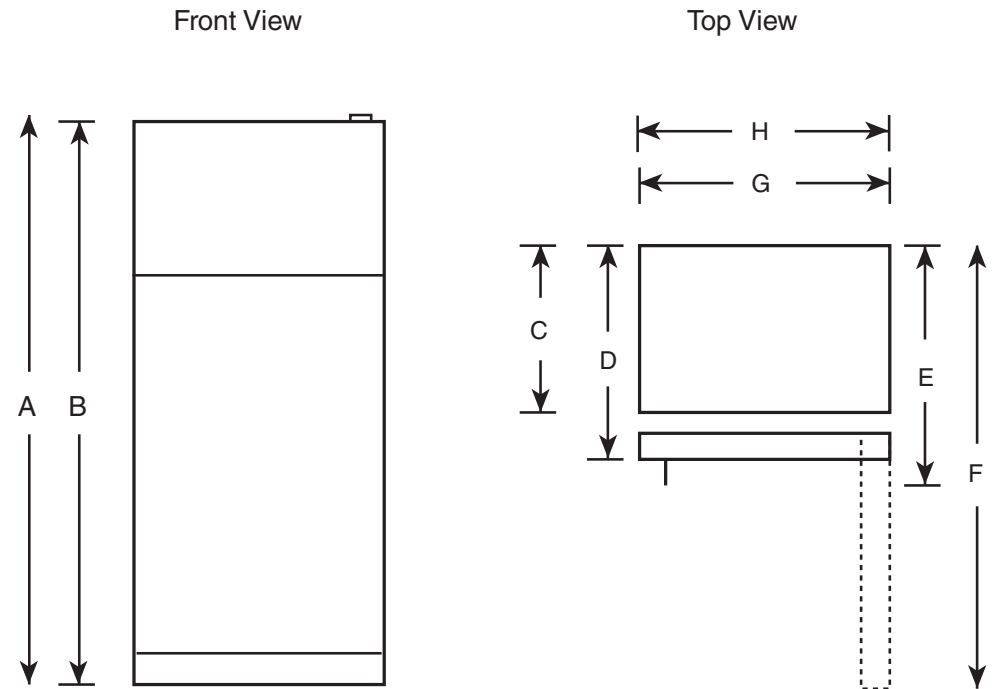


GTJ18CBE

GE® ENERGY STAR® 18.1 Cu. Ft. Top-Freezer Refrigerator

Dimensions and Installation Information (in inches)

Overall Dimensions	Height to top of hinge (in.) A	67-3/8
	Height to top of case (in.) B	66-7/8
	Case depth without door (in.) C	26-3/4
	Case depth less door handle (in.) D	30-1/2
	Case depth with door handle (in.) E	32-3/8
	Depth with fresh food door open 90° (in.) F	56-3/8
	Width (in.) G	28
	Width with door open 90° inc. door handle (in.) H	30-3/4
Air Clearances	Each side (in.)	3/4
	Top (in.)	1
	Back (in.)	2



For answers to your Monogram,® Cafe™ Series, Profile™ Series or GE® appliance questions, visit our website at geappliances.com or call GE Answer Center® service, 800.626.2000.

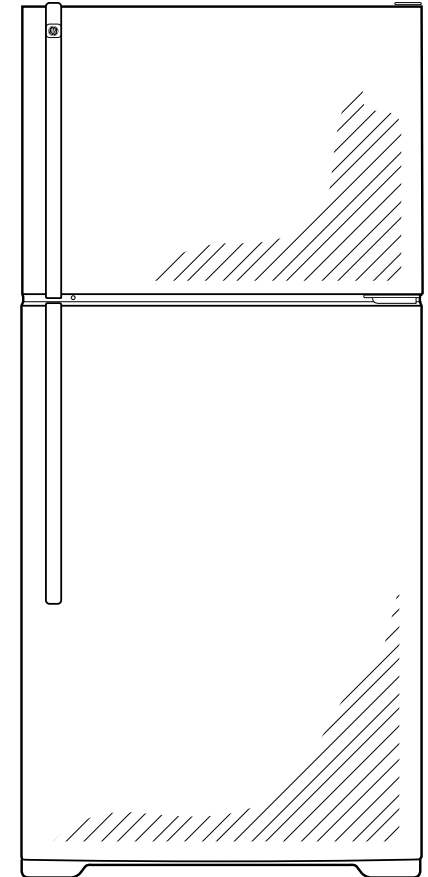


GTJ18CBE

GE® ENERGY STAR® 18.1 Cu. Ft. Top-Freezer Refrigerator

Features and Benefits

- Silver metallic exterior - Attractive finish holds magnets and resists fingerprints
- Upfront temperature controls - Easy-to-use controls regulate both fresh food and freezer sections
- Gallon door storage - Larger items are easily accommodated in the door
- Can storage door shelf - Holds cans in the door for easy selection and quick access
- Clear crisper drawers - Transparent drawers make finding your favorite items quick and easy
- Adjustable wire shelves - Moveable racks can handle a variety of foods
- Wire freezer shelf - Provides additional storage for frozen foods
- Never Clean condenser - Sealed compartment keeps coils clean and simplifies maintenance
- Model GTJ18CBESA - Silver metallic



imagination at work



As an ENERGY STAR® partner, GE has determined that this product meets the ENERGY STAR guidelines for energy efficiency.

Specification Created 2/13

310321