

GFDS260GF/265GF

GE® 8.1 cu. ft. capacity Front Load gas dryer with steam

Dimensions and Installation Information (in inches)

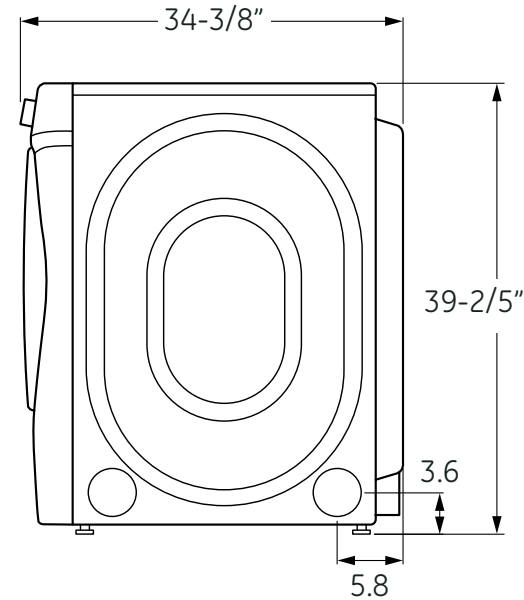
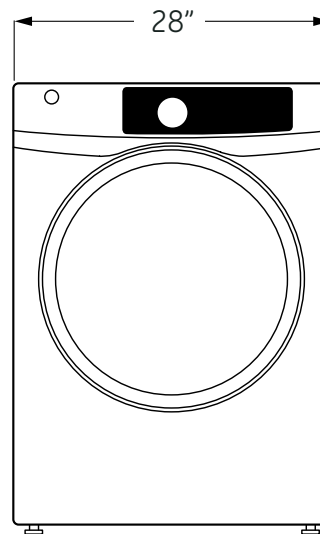
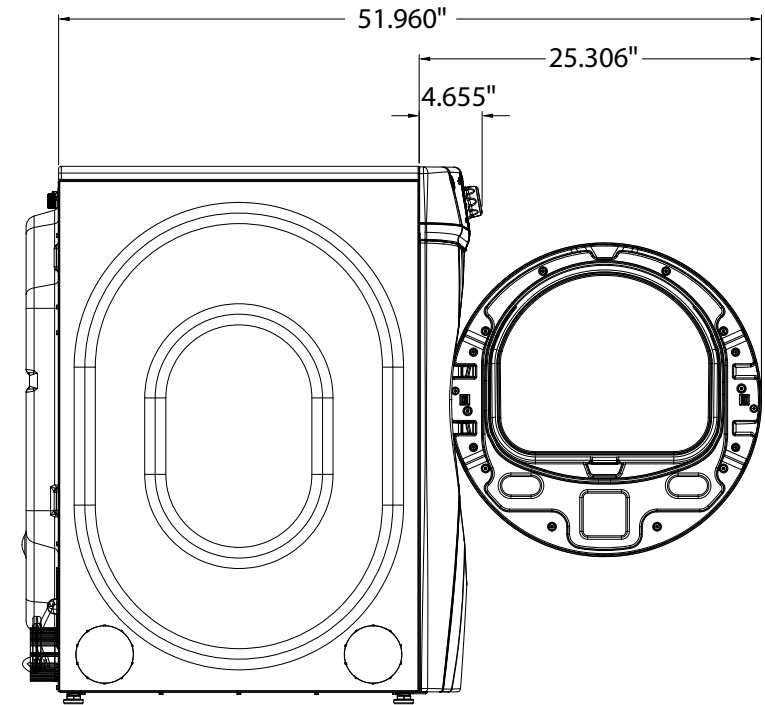
| Gas Dryer Rating | |
|------------------|----------------|
| 120V | 60Hz, 8A, 850W |

Exhaust Options: 3-way via rear, left, and bottom.

Circuit Requirements: An individual, properly grounded branch circuit, protected by a 15-20 amp circuit breaker or a time-delay fuse, is required.

Note: Dryer wall outlet must be located within 36" of service cord entry and accessible when dryer is mounted in position.

Installation Information: For complete information, see installation instructions packed with your dryer.



imagination at work

For answers to your Monogram®, Cafe™ Series or Profile™ Series appliance questions, visit our website at geappliances.com or call GE Answer Center® service, 800.626.2000.



Specification Created 2/13

360504

GFDS260GF/265GF

GE® 8.1 cu. ft. capacity Front Load gas dryer with steam

Special Installation Requirements:

Stacked Installation:

Brackets for stacking dryer over washer are not included with the washer.

Order part no. GEFLSTACK or part no. WE25X10018.

Alcove or Closet Installation:

- If your dryer is approved for installation in an alcove or closet, it will be stated on a label on the dryer back.
- The dryer MUST be exhausted to the outside.
- Minimum clearances between dryer cabinet and adjacent walls or other surfaces are: 0" either side, 3" front and rear
- Minimum vertical space from floor to overhead cabinets, ceilings, etc. is 52".
- Closet doors must be louvered or otherwise ventilated and must contain a minimum of 60 sq. in. of open area equally distributed. If this closet contains both a washer and a dryer, doors must contain a minimum of 120 sq. in. of open area equally distributed.
- No other fuel-burning appliance shall be installed in the same closet with a gas dryer.

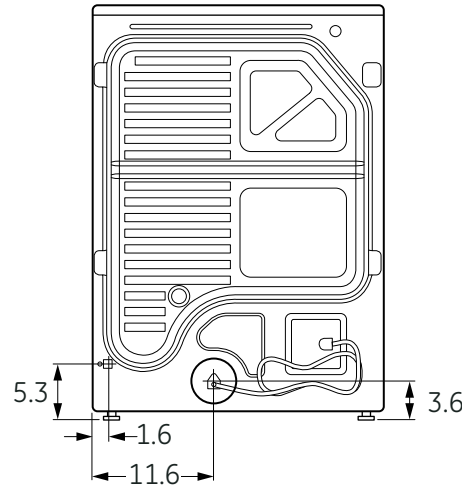
Bathroom or Bedroom Installation:

- The dryer MUST be exhausted to the outdoors.
- The installation must conform with the local codes, or in the absence of local codes, with the National Electric Code and National Fuel Gas Code, ANSI Z223 for gas dryers.

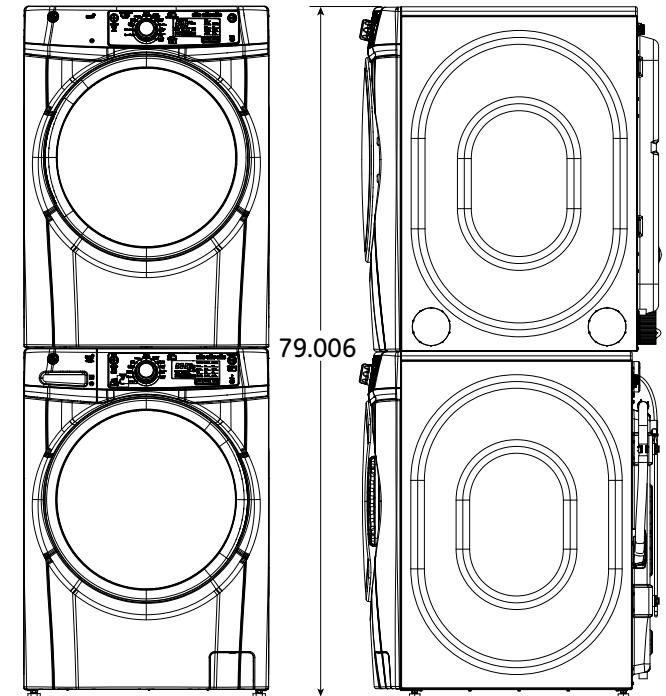
Minimum Clearance other than Alcove or Closet Installations:

- Minimum clearances to combustible surfaces 0" both sides, 3" rear.

For more information on venting kits and accessories, please call 1-800-GE-CARES.



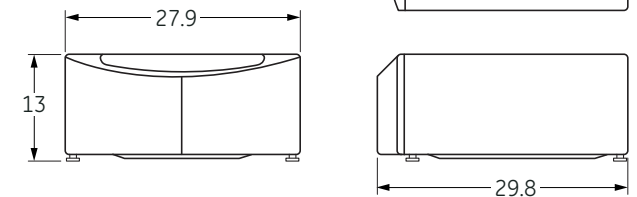
Stacked Dimensions (in inches)



Pedestal Dimensions (in inches)

GFXP1308F

This optional 13" pedestal raises the door opening and height of the washer or dryer.



imagination at work

For answers to your Monogram® Cafe™ Series or Profile™ Series appliance questions, visit our website at geappliances.com or call GE Answer Center® service, 800.626.2000.



GFDS260GF/265GF

GE® 8.1 cu. ft. capacity Front Load gas dryer with steam

Dryer Exhausting Information – Metal Duct Only

For complete information, see installation instructions packed with your dryer.

Ducting Materials: For best performance, this dryer should be vented with 4" diameter all rigid metal exhaust duct. If rigid metal duct cannot be used, then UL-listed flexible metal (semi-rigid) ducting can be used (Kit WX08X10077). In special installations, it may be necessary to connect the dryer to the house vent using a flexible metal (foil-type) duct. A UL-listed flexible metal (foil-type) duct may be used ONLY in installations where rigid metal or flexible metal (semi-rigid) ducting cannot be used AND where a 4" diameter can be maintained throughout the entire length of the transition duct. Please see installation instruction packed with your dryer for complete instructions when using flexible metal (foil type) ducting.

Exhaust Length Calculation:

1. Determine the number of 90° turns needed for your installation. If you exhaust to the side or bottom of dryer, add one turn.
2. The maximum length of 4' rigid (aluminum or galvanized) duct which can be tolerated is shown in the table.
 - A turn of 45° or less may be ignored. Two 45° turns within the duct length should be treated as a 90° elbow.
 - A turn over 45° should be treated as a 90° elbow.

Dryers **must** be exhausted to the outside.

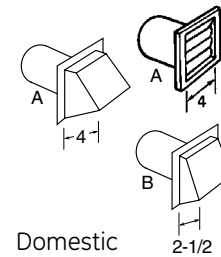
Caution: For personal safety do not terminate exhaust into a chimney, under any enclosed house floor (crawl space), or into an attic, since the accumulated lint could create a fire hazard or moisture could cause damage. Never terminate the exhaust into a common duct or plenum with a kitchen exhaust, since the combination of lint and grease could create a fire hazard.

Exhaust ducts should be terminated in a dampered wall cap to prevent back drafts, bird nesting, etc. The wall cap must also be located at least 12" above the ground or any other obstruction with the opening pointed down.

For more information on venting kits and accessories, please call 1-800-GE-CARES.



For every extra 90° elbow, reduce the allowable vent system length by 10 ft.
 Two 45° elbows will be treated like one 90° elbow.
 For the side exhaust installations, add one 90° elbow to the chart.
 The total vent system length includes all the straight portions and elbows of the system (transition duct included).



| Domestic dryer models | Number of 90° turns | Best performance | |
|---|---------------------|--|------------------|
| | | Maximum length of 4" dia. rigid metal duct | |
| | | Exhaust hood type | |
| | | A 4" opening | B 2-1/2" opening |
| All Long Vent 6.0 - 8.0 cu. ft. capacity (GE & Profile models) electric & gas dryers (GTDL, DLSR, PFDS) | 0 | 150 ft. | 125 ft. |
| | 1 | 135 ft. | 115 ft. |
| | 2 | 125 ft. | 105 ft. |
| | 3 | 115 ft. | 95 ft. |
| | 4 | 105 ft. | 85 ft. |
| All 6.0 - 8.3 cu. ft. capacity models electric and gas dryers (GFDS, GFDR, GFDN, DCVH5, DCVH, GTDS, GLDS, GRDN, GTDN, GHDN, GHDS, GTDP, GLDP, GTDX, HTDP, HTDX) | 0 | 90 ft. | 60 ft. |
| | 1 | 60 ft. | 45 ft. |
| | 2 | 45 ft. | 35 ft. |
| | 3 | 35 ft. | 25 ft. |
| | 4 | 25 ft. | 15 ft. |
| DCVH480, DCVH485 | 0 | 90 ft. | 60 ft. |
| | 1 | 60 ft. | 45 ft. |
| | 2 | 45 ft. | 35 ft. |
| All 3.6 cu. ft. (DSKS, DSKP) electric dryers | 3 | 35 ft. | 25 ft. |
| | 0 | 46 ft. | 37 ft. |
| | 1 | 37 ft. | 30 ft. |
| Laundry Center GTUP270, GTUN275 | 2 | 30 ft. | 22 ft. |
| | 3 | 23 ft. | 15 ft. |
| | 0 | 56 ft. | 42 ft. |
| Laundry Center GTUP240 | 1 | 48 ft. | 34 ft. |
| | 2 | 40 ft. | 26 ft. |
| | 3 | 32 ft. | 18 ft. |
| | 0 | 43 ft. | 36 ft. |
| | 1 | 33 ft. | 26 ft. |
| | 2 | 24 ft. | 16 ft. |



GFDS260GF/265GF

GE® 8.1 cu. ft. capacity Front Load gas dryer with steam

Features and Benefits

- Detangle Assist - Twisted sheets and comforters are a thing of the past with a setting that pauses and reverses direction to separate items and reduce wrinkling
- Steam Refresh - Rejuvenate lightly worn clothes by getting rid of wrinkles and odors with this convenient setting using the power of steam
- Steam Dewrinkle - Stored or wrinkled clothes come out wrinkle-free with the helpful setting that uses steam to refresh and dry a load of any size
- LED light - Find that last sock in the washer and dryer thanks to a bright, energy-efficient and long lasting LED light
- Stainless steel drum - Resists rust and helps protect clothes
- HE Sensor Dry-Keep your clothes looking and feeling their best with dual thermistors that continually sense and monitor moisture and temperature to prevent over-drying
- eMonitor - Get the energy-saving insight you need to reduce your utility bills with an electronic readout that shows the efficiency level of each load
- Model GFDS260GFWW – White
- Model GFDS265GFMC – Metallic Carbon
- Model GFDS265GFRR – Ruby Red



imagination at work

