



# Dryers

Owner's Manual

**Safety Instructions** ..... 2-3

**Operating Instructions**

- Appliance Communication ... 10,11
- Features ..... 8
- Loading and Using the Dryer ..... 9
- Operating Instructions ..... 4-7
- Reversing the Door ..... 12, 13
- Venting the Dryer ..... 14

**Troubleshooting Tips** ... 15-17

**Consumer Support**

- Consumer Support ..... 20
- Parts and Accessories ..... 3, 20
- Warranty ..... 19



**Write the model and serial number here:**

**Model #** \_\_\_\_\_


**Serial #** \_\_\_\_\_

You can find them on a label on the front of the dryer behind the door.

**234D1754P003** 49-90463-3 11-12 GE

# IMPORTANT SAFETY INFORMATION.

## READ ALL INSTRUCTIONS BEFORE USING.

 This is the safety alert symbol. This symbol alerts you to potential hazards that can kill you or hurt you and others. All safety messages will follow the safety alert symbol and the word “DANGER”, “WARNING”, or “CAUTION”. These words are defined as:

### **DANGER**

Indicates a hazardous situation which, if not avoided, **will** result in death or serious injury.

### **WARNING**

Indicates a hazardous situation which, if not avoided, **could** result in death or serious injury.

### **CAUTION**

Indicates a hazardous situation which, if not avoided, **could** result in minor or moderate injury.

## IMPORTANT SAFETY INSTRUCTIONS

### **WARNING**

To reduce the risk of fire, explosion, electric shock, or injury to persons when using your appliance, follow basic precautions, including the following:

- Read all instructions before using the appliance.
- DO NOT dry articles that have been previously cleaned in, washed in, soaked in or spotted with gasoline, dry-cleaning solvents, or other flammable or explosive substances, as they give off vapors that could ignite or explode.
- DO NOT allow children to play on or in this appliance. Close supervision of children is necessary when this appliance is used near children.
- Before the appliance is removed from service or discarded, remove the door to the drying compartment.
- DO NOT reach into the appliance if the drum is moving.
- DO NOT install or store this appliance where it will be exposed to the weather.
- DO NOT tamper with controls.
- DO NOT repair or replace any part of this appliance or attempt any servicing unless specifically recommended in the user maintenance instructions or in published user repair instructions that you understand and have the skills to carry out.
- DO NOT use fabric softeners or products to eliminate static unless recommended by the manufacturer of the fabric softener or product.
- Do NOT dry articles containing rubber, plastic, foam or similar materials such as padded bras, tennis shoes, galoshes, bath mats, rugs, bibs, baby pants, plastic bags, pillows, etc., that may melt or burn. Some rubber materials, when heated, can under certain circumstances produce fire by spontaneous combustion.
- Clean lint screen before or after each load.
- **DO NOT OPERATE THE DRYER WITHOUT THE LINT FILTER IN PLACE.**
- Keep area around the exhaust opening and adjacent surrounding areas free from the accumulation of lint, dust and dirt.
- The interior of the appliance and exhaust duct should be cleaned periodically by qualified service personnel.
- DO NOT place items exposed to cooking oils in your dryer. Items contaminated with cooking oils may contribute to a chemical reaction that could cause a load to catch fire.
- Keep all laundry aids (such as detergents, bleaches, etc.) out of the reach of children, preferably in a locked cabinet. Observe all warnings on container labels to avoid injury.
- Keep the floor around your appliances clean and dry.
- The laundry process can reduce the flame retardancy of fabrics. To avoid such a result, carefully follow the garment manufacturer's care instructions.
- Unplug the appliance or turn off the circuit breaker before servicing. Pressing the **Power** or **Start/Pause** button DOES NOT disconnect power.
- DO NOT attempt to operate this appliance if it is damaged, malfunctioning, partially disassembled, or has missing or broken parts, including a damaged cord or plug.
- DO NOT use aerosols in or near the dryer.
- DO NOT operate this appliance if it is damaged, malfunctioning, partially disassembled, or has missing or broken parts, including a damaged cord or plug.
- See “Electrical Requirements” located in the Installation Instructions for grounding instructions.

## SAVE THESE INSTRUCTIONS

## ADDITIONAL GAS DRYER WARNINGS



**WARNING** For your safety, the information in this manual must be followed to minimize the risk of fire or explosion or to prevent damage, personal injury, or death.

- DO NOT store or use gasoline or other flammable vapors and liquids in the vicinity of this or any other appliance.
- WHAT TO DO IF YOU SMELL GAS:
  - DO NOT try to light any appliance.
  - DO NOT touch any electrical switch; DO NOT use any phone in your building.
  - Clear the room, building, or area of any occupants.
  - Immediately call your gas supplier from a neighbor's phone. Follow the gas supplier's instructions.
  - If you cannot reach your gas supplier, call the fire department.
- Installation and service must be performed by a qualified installer, service agency, or the gas supplier.

## California Safe Drinking Water and Toxic Enforcement Act

This act requires the governor of California to publish a list of substances known to the state to cause cancer, birth defects or other reproductive harm and requires businesses to warn customers of potential exposure to such substances.

Gas appliances can cause minor exposure to four of these substances, namely benzene, carbon monoxide, formaldehyde and soot, caused primarily by the incomplete combustion of natural gas or LP fuels.

Properly adjusted dryers will minimize incomplete combustion. Exposure to these substances can be minimized further by properly venting the dryer to the outdoors.

## PROPER INSTALLATION

*This dryer must be properly installed and located in accordance with the Installation Instructions before it is used. If you did not receive an Installation Instructions, you can receive one by visiting [GEAppliances.com](http://GEAppliances.com) or by calling 800.GE.CARES (800.432.2737).*

- Properly ground dryer to conform with all governing codes and ordinances. Follow details in Installation Instructions.
- Install or store where it will not be exposed to temperatures below freezing or exposed to the weather.
- Connect to a properly rated, protected and sized power supply circuit to avoid electrical overload.
- Remove all sharp packing items and dispose of all shipping materials properly.
- Remove the colored protective tape from the control panel.
- Do not obstruct the flow of ventilating air. Do not stack or place laundry or throw rugs against the front or back of the dryer.

### Steam Water Hoses:

GE strongly recommends the use of factory specified parts. A list of factory hoses available for purchase are listed below. These hoses are manufactured and tested to meet GE specifications.

GE strongly recommends the use of new water supply hoses. Hoses degrade over time and need to be replaced every 5 years to reduce the risk of hose failures and water damage.

### Parts and Accessories

Order on-line at [GEApplianceParts.com](http://GEApplianceParts.com) today, 24 hours a day or by phone at 800.626.2002 during normal business hours.

<b>Part Number</b>	<b>Accessory</b>
WE25M53	Complete Kit (hoses, Y-adapter washers) (included)
OR	
WE1M847	Long Hose and
WE1M849	Short Hose
PM14X10056	Dryer door opening vent brush (not included)
WX14X10007	LintEater™ Dryer rotary tube brush (not included)
DR07X10002	6' Cable
DRM2E300V0	ACM, Splitter, two 6' Cables & a 1' Cable

### Exhaust/Ducting:

- 1 All dryers **MUST** be exhausted to the outside to prevent large amounts of moisture and lint from being blown into the room.
- 2 Use only rigid metal 4" diameter ductwork inside the dryer cabinet and use only rigid metal 4" diameter or UL approved transition ducting between the dryer and the home duct. **USE OF PLASTIC OR OTHER COMBUSTIBLE DUCTWORK CAN CAUSE A FIRE. PUNCTURED DUCTWORK CAN CAUSE A FIRE IF IT COLLAPSES OR BECOMES OTHERWISE RESTRICTED IN USE OR DURING INSTALLATION.**

For complete details, follow the Installation Instructions.

**SAVE THESE INSTRUCTIONS** 3

# Operating instructions

## ⚠️ WARNING!

To reduce the risk of fire, electric shock, or injury to persons, read the **IMPORTANT SAFETY INSTRUCTIONS** before operating this appliance.

### ⚠️ WARNING



#### Explosion Hazard

Keep flammable materials and vapors, such as gasoline, away from dryer.  
**DO NOT** dry anything that has ever had anything flammable on it (even after washing).  
 Failure to do so can result in death, explosion, or fire.

### ⚠️ WARNING

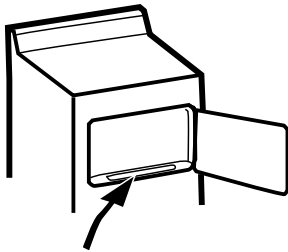


#### Fire Hazard

No washer can completely remove oil.  
 Do not dry anything that has ever had any type of oil on it (including cooking oils).  
 Items containing foam, rubber, or plastic must be dried on a clothesline or by using an Air Dry cycle.  
 Failure to do so can result in death, explosion, or fire.

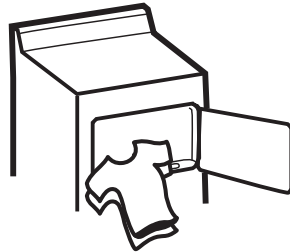
Throughout this manual, features and appearance may vary from your model.

Step 1



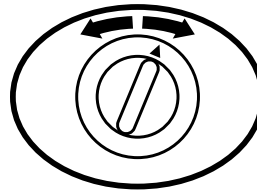
- Clean lint filter

Step 2



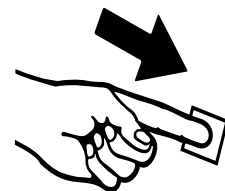
- Add clothes
- Shut door

Step 3



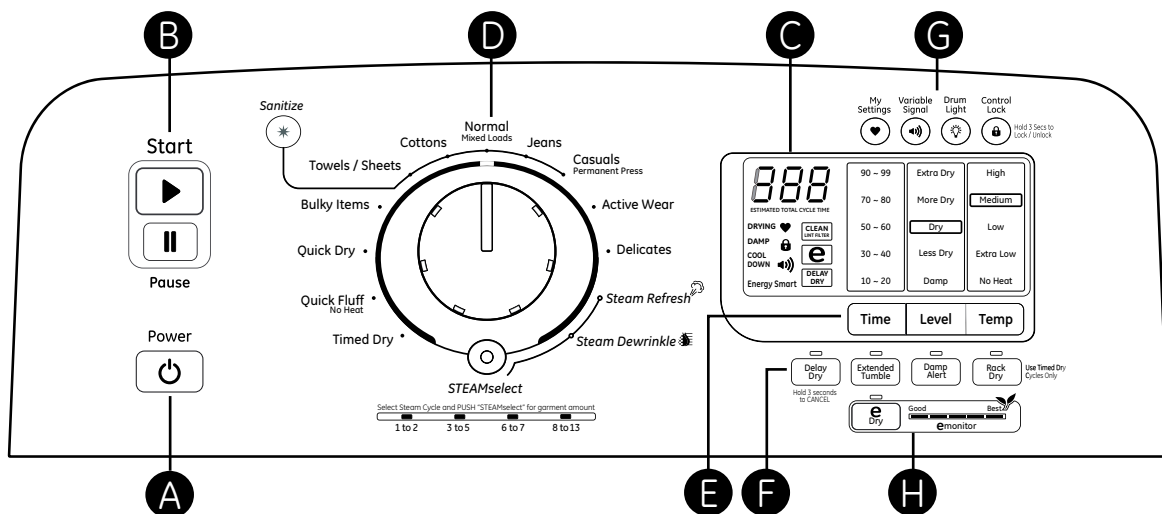
- Select drying cycle

Step 4



- Push Start

## Controls



**Power**

Press to “wake up” the display. If the display is active, press to put the dryer into idle mode.

**NOTE:** Pressing **Power** does not disconnect the appliance from the power supply.

**Start and Pause**

Press **Start** to begin the cycle. **NOTE:** The door must be closed for the dryer to start the cycle. Pressing **Pause** will pause the cycle, the **Start** will blink and “**PAUSE**” will scroll across the LCD.

To continue the cycle, press **Start** again. To stop the cycle, hold the button for 3 seconds.

**Display and Status Lights**

The display shows the approximate time remaining until the end of the cycle.




**In addition, this display will, “scroll” the dryer status:**

- **PAUSE** The message “**PAUSE**” will scroll across the display when the dryer’s cycle is paused. The cycle may be re-started by pressing the **Start** button.
- **door** The message “**door**” will be displayed when the door is opened during the dryer’s cycle.
- **CyCLE** The message “**CyCLE**” will be displayed when the clothes are dry and the washer is recommending a preferred cycle for the next load (see **CleanSpeak** section).
- **dELAY** The message “**dELAY**” will be displayed when the Delayed Dry is initiated. It will be replaced with the estimated time when cycle starts.
- **ES** Dryer in a delay start (4 hour maximum) awaiting lower energy rates (see **About Appliance Communication - Energy Smart** section).

**Cycle status lights**

Shows whether the washer is in the **DRYING**, **DAMP**, or **COOL DOWN** cycle.

**Feature status lights indicate:**

-  The **My Settings** feature is on for this cycle.
-  The dryer is locked - will blink once if you press any button or turn the cycle knob.
-  The signal is on. See the **Variable Signal** description.

**Energy Smart** The **Energy Smart** feature is selected. See **About Appliance Communication - Energy Smart** section.



The **Clean Lint Filter** light will stay on for 15 seconds after the cycle stops.





The **eDry** feature is selected.



A **Delay Dry** time is set.

# Operating instructions

## D **Drying Cycles**-Sensor cycles automatically determine fabric dryness. Timed cycles run for the selected time.

<b>Timed Dry</b>	Set the Cycle Selector at the desired drying time.
<b>Quick Fluff/ No Heat</b>	For freshening or fluffing up already dry clothing, fabric, linens and pillows. Use with <b>No Heat</b> . Provides 10 minutes of no-heat tumbling.
<b>Quick Dry</b>	For small loads that are needed in a hurry, such as sport or school uniforms. Can also be used if the previous cycle left some items damp, such as collars or waistbands. <b>NOTE:</b> On some models, the time remaining in the cycle will show counting down in the display.
<b>Bulky Items</b>	For large coats, bed spreads, mattress covers, sleeping bags and similar large/bulky items such as blankets, comforters, jackets, and small rugs.
<b>Towels/Sheets*</b>	For most towels and linens.
<b>Cottons*</b>	For cottons and most linens.
<b>Normal/Mixed Loads*</b>	For loads consisting of cottons and poly-blends.
<b>Jeans*</b>	For jeans.
<b>Casuals/ Permanent Press*</b>	For wrinkle-free, permanent press, delicate items and knits.
<b>Active Wear</b>	For sports and exercise wear.
<b>Delicates</b>	For delicate items, special-care fabrics and knits.
<b>Steam Refresh</b> 	For slightly wrinkled dry garments. Significantly reduces wrinkles. <b>NOTE:</b> A single extremely light fabric item may need to have an additional item included in the <b>Steam Refresh</b> cycle to achieve optimum results.
<b>Steam Dewrinkle</b> 	For use with larger loads than <b>Steam Refresh</b> . Ideal for loads left in the dryer for an extended time.
<b>STEAMselect</b>	The <b>STEAMselect</b> button is used in conjunction with <b>Steam Refresh</b> and <b>Steam Dewrinkle</b> . As you press the button, it defines how many articles are in the dryer and adjusts the steam and cool down times accordingly.

### Steam Cycle ( & ) Notes:

- **Important - The temperature setting must be set to HIGH and water must be turned on before running the steam cycles.**
- The **Extended Tumble** option will be turned on.
- After the steam cycle, the unit will beep (if **Variable Signal** is on) and display "00".
- Do not use a steam cycle with items such as wool, leather, silk, lingerie, foam products or electric blankets.
- Do not use steam cycles on new clothes without first washing.
- Steam cycles are not intended for use with towels.

**Sanitize** This option reduces certain types of bacteria by 99.9%, including: Staphylococcus aureus, Pseudomonas aeruginosa and Klebsiella pneumoniae. The anti-bacterial process occurs when high heat is used during a portion of the drying cycle.  
**NOTE:** Do not use this cycle on delicate fabrics.

\*Cycles available with **Sanitize** option.

## E **Settings**

Individual settings for **Timed Dry** cycle minutes (**Time**), dryness level (**Level**), and temperature (**Temp**) can be set from the minimum (lowest in column) to maximum (highest in column). In general, the higher up the column, the more energy will be used.

### Time - Selection only for Timed cycles.

Each "setting" allows you to specify a lower (1 tap) or an upper (2 taps) time working your way from a minimum 10 minute to a maximum 99 minute dry time (10, 20, 30, 40, . . . 80, 90, 99, 10 . . .)

### Dryness Level - Selection only used for Sensor cycles. Timed cycles run for the selected time.

<b>Extra Dry</b>	Use for heavy-duty fabrics or items that should be very dry, such as towels.
<b>More Dry</b>	Use for heavy-duty or mixed type fabrics.
<b>Dry</b>	Use for a normal dryness level suitable for most loads. This is the preferred cycle for energy savings.
<b>Less Dry</b>	Use for lighter fabrics.
<b>Damp</b>	For leaving items partially damp.

## E Temperature

<b>High</b>	For regular to heavy cottons. <b>NOTE: Steam Dewrinkle and Steam Refresh</b> require the High temperature setting.
<b>Medium</b>	For synthetics, blends, delicates and items labeled permanent press.
<b>Low</b>	For delicates, synthetics and items labeled <i>tumble dry low</i> .
<b>Extra Low</b>	For delicates, synthetics and items labeled <i>tumble dry low</i> .
<b>No Heat</b>	For fluffing items without heat. For use only with the <b>Timed Dry</b> cycles.

## F Options

### Delay Dry

As the **Delay Dry** button is repeatedly pressed, the delay time sets to from 1 to 9 hours, and back to clear (0). After selecting the delay time, press **Start** and the delay time will count down the time remaining until the cycle starts.

If the **Delay Dry** button is pressed for 3 seconds, it clears (regardless of the delay time) or terminates a delaying cycle.

### Extended Tumble

Use this option to minimize the wrinkles in clothes. It provides 1 hour of no-heat tumbling after the clothes are dry. If you are using the cycle **Signal** and you select the **Extended Tumble** option, a signal will sound at the end of the drying time and every 5 minutes during the **Extended Tumble** cycle. This will remind you that it is time to remove the clothes.

### Damp Alert

This option causes the dryer to beep when clothes have dried to a damp level. Remove items that you wish to hang dry. The **Damp Alert** will only beep when this option is selected (but the dry cycle will keep running). Removing clothes and hanging them when they are damp, can reduce the need to iron some items. The light beside the button will be lit when **Damp Alert** is on.

### Rack Dry

**Rack Dry** is only allowed for timed cycles (**Timed Dry** & **Quick Fluff**). The light turns off if cycle knob is turned to a non-timed cycle.

## G My Settings

As the cycle selector knob is turned, the **Time** (*Timed Dry*), **Level** (*Dryness Level*), and **Temp** (*Temperature*) settings change to automatic pre-set default settings. If you desire a different setting, press the appropriate button(s). Then press and hold the **My Settings** button for 3 seconds. The status heart and button lights will turn on and the dryer will save these settings for that knob selection. In the future, when you turn the selector knob to that cycle, your settings will be automatically recalled.

To temporarily (for this load) return to the pre-set default settings, depress the **My Settings** button for 1/2 second. The status heart and button lights will turn off and the options will change back to these defaults. To make these default settings permanent, hold the **My Settings** button again for 3 seconds to make them your preferred settings (the lights will turn back on).

**NOTE: Variable Signal** volume cannot be set for **My Settings**.

### Variable Signal

Use the **Variable Signal** button to change the volume of the end of cycle and control signals. Press the button until you reach the desired volume (low-med-high) or off. The clothes should be removed when the beeper goes off so wrinkles do not set in.

**NOTE:**

- Remove garments promptly at the sound of signal. Place clothes on hangers so wrinkles will not set in.
- Use the **Variable Signal** especially when drying fabrics like polyester, knits and permanent press. These fabrics should be removed so wrinkles will not set in.

### Drum Light

The drum light will go on if the **Drum Light** button is pushed or the door is opened. It will stay on until the door is shut or the **Drum Light** or **Power** button is pushed.

### Control Lock

You can lock the controls to prevent any selections from being made. Or you can lock the controls after you have started a cycle. Children cannot accidentally start the dryer by touching buttons with this option selected.

**To lock the dryer controls**, press and hold the **Control Lock** button for 3 seconds. The control lock icon will light up when locked.

**To unlock the dryer controls**, press and hold the **Control Lock** button for 3 seconds.

**NOTE: The Power** button can still be used when the machine is locked.

## H eDry

Available for **Bulky Items, Towels/Sheets, Cottons, Normal/Mixed Loads, Jeans, Casuals/Permanent Press, Active Wear, and Delicates**. When the **eDry** button is pressed, cycle settings change to reduce the total energy consumption of the selected sensor cycle. **NOTE: Cycle times will change when eDry is selected.**

The **eMonitor** lights display the relative energy use of your selected cycle and options. They are provided as an energy guide and range from Good (1 light) to Better (5 lights). Cycle (time), dryness level, temperature, and additional tumble options can increase or decrease your energy efficiency. Some special cycles will not provide a display.

## About the dryer features.

---

### Sensor Dry

This feature is activated in all but the Timed (**Timed Dry** & **Quick Fluff**) and Steam (**Steam Refresh** & **Steam Dewrinkle**) cycles.

The **Sensor Dry** provides greater drying accuracy than standard machines, resulting in shorter dry times and better clothes care. As the clothes tumble, they touch a moisture sensor. The sensor will stop the heating cycle as soon as the clothes have reached the selected dryness.

This dryer will adjust the initial estimated drying time of the sensor dry cycles as it “learns” its installation and usage profile. Please allow several weeks for the dryer to customize itself to “you”.

---

### Time Dry

This feature is activated in **Timed Dry** & **Quick Fluff** cycles. The time (10, 20, 30, 40, . . . 80, 90, 99) is specified via the **Time** button.

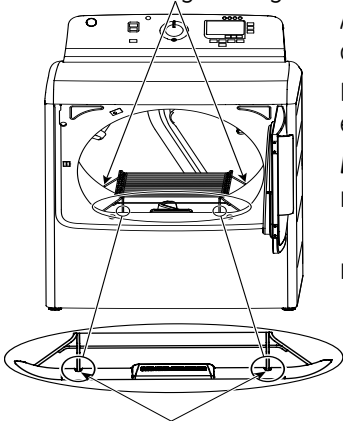
---

### Steam Cycle

This feature is activated in **Steam Refresh** & **Steam Dewrinkle** cycles. Use **STEAMselect** to indicate the number articles.

---

Two back legs on the rear wall angled ledge



Secure front two inner straight legs into the oval holes on both sides of the lint filter handle

### Drying Rack (on some models)

A handy drying rack may be used for drying delicate items such as washable sweaters.

Hook the rack over the lint filter so the rack extends into the dryer drum.

#### NOTE:

- The drying rack must be used with the **Timed Cycle**.
- Do not use this drying rack when there are other clothes in the dryer.

### To use the drying rack:

- 1** Insert the drying rack into the dryer opening with the two leg side toward the back and four leg side toward the front.
- 2** Place the two back legs on the rear wall angled ledge.
- 3** Secure front two inner straight legs into the oval holes on both sides of the lint filter handle.

**NOTE:** Rotate the dryer drum by hand clockwise to make sure the baffles clear the rack.

---

### Stainless Steel Drum

The stainless steel used to make the dryer drum provides the highest reliability available in a GE dryer. If the dryer drum should be scratched

or dented during normal use, the drum will not rust or corrode. These surface blemishes will not affect the function or durability of the drum.

---

### Drum Light

The drum light is an LED light. Replacement must be done by a qualified technician.



# About loading and using the dryer.

Always follow the fabric manufacturer's care label when laundering.



## Sorting and Loading Hints

As a general rule, if clothes are sorted properly for the washer, they are sorted properly for the dryer.

Do not add fabric softener sheets once the load has become warm. They may cause fabric softener stains. Bounce® Fabric Conditioner Dryer Sheets have been approved for use in all GE Dryers when used in accordance with the manufacturer's instructions.

**Do not overload.** This wastes energy and causes wrinkling.

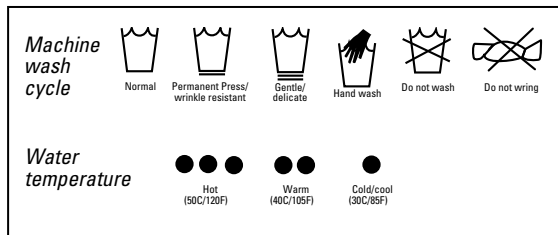
**Do not dry the following items:** fiberglass items, woolens, rubber-coated items, plastics, items with plastic trim and foam-filled items.



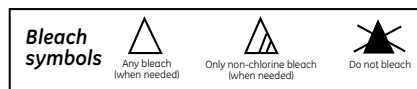
## Fabric Care Labels

Below are fabric care label "symbols" that affect the clothing you will be laundering.

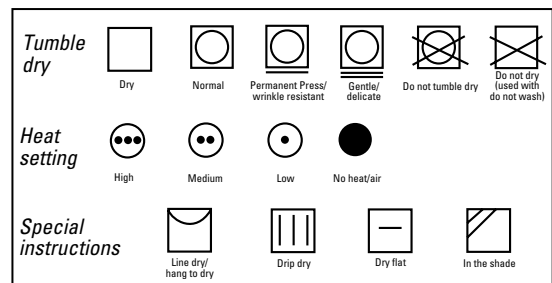
### WASH LABELS



### BLEACH LABELS



### DRY LABELS



## Care and Cleaning of the Dryer

**The Exterior:** Wipe or dust any spills or washing compounds with a damp cloth. Dryer control panel and finishes may be damaged by some laundry pretreatment soil and stain remover products. Apply these products away from the dryer. The fabric may then be washed and dried normally. Damage to your dryer caused by these products is not covered by your warranty.

**The Lint Filter:** Clean the lint filter before each use. Remove by pulling straight up. Run your fingers across the filter. A waxy buildup may form on the lint filter from using dryer added fabric softener sheets. To remove this buildup, wash the lint screen in warm, soapy water. Dry thoroughly and replace. Do not operate the dryer without the lint filter in place. Vacuum the lint from the dryer lint filter area if you notice a change in dryer performance.



**Stainless Steel:** To clean stainless steel surfaces, use a damp cloth with a mild, non-abrasive cleaner suitable for stainless steel surfaces. Remove the cleaner residue, and then dry with a clean cloth.

**The Exhaust Duct:** Inspect and clean the exhaust ducting at least once a year to prevent clogging. A partially clogged exhaust can lengthen the drying time.

**To clean the duct, follow these steps:**

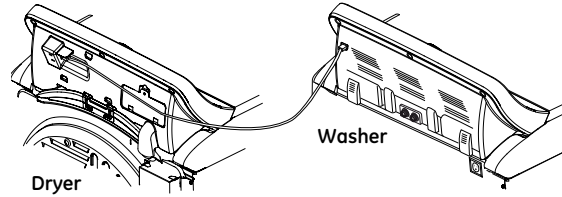
- 1 Turn off electrical supply by disconnecting the plug from the wall socket.
- 2 Disconnect the duct from the dryer.
- 3 Vacuum the duct with the hose attachment and reconnect the duct.

**The Exhaust Hood:** Check from the outside that the flaps of the hood move freely when operating. Make sure that there is not wildlife (birds, insects, etc.) nesting inside the duct or hood.

# About Appliance Communication.

## CleanSpeak™

This dryer can communicate with a compatible washer (one whose Owner's Manual contains a **CleanSpeak** description) via a cable between these appliances. This cable comes with **CleanSpeak** dryer models or may be purchased separately.



At the end of the wash cycle, the washer sends a signal to the dryer to indicate a preferred dry cycle. When the dryer becomes idle ("End" display times out - or - the door is opened) "CYCLE" will scroll across its cycle time display, its current cycle knob setting LED will be lit, and (if different) a second recommended cycle LED will blink. If "CYCLE" times out, pressing **POWER** will refresh it and the LEDs. If the Dryer cycle knob is turned, the solid LED will move accordingly. Pressing the dryer **START** will initiate the cycle knob setting (solid LED) and turn off the recommended (blinking LED) if a different cycle is started.

## Brillion Enabled Communication

This dryer (and/or compatible washer) can communicate with your Home Computer and/or iPhone®. By using the GE Nucleus™ Home Energy Manager and Appliance Communication Module (ACM) you will be able to see the following:

### On your home computer or iPhone®:

- Which cycle is running and what its current cycle segment is (example, "Cool Down")
- The estimated time remaining of the cycle that has been selected.
- When a cycle has completed or if it requires maintenance or servicing.
- Alerts notifying you if the washer needs maintenance or servicing.

### What your software allows you to do:

**NOTE:** Messages are displayed in English. See [www.gebrillion.com](http://www.gebrillion.com) or call 1-800-220-6899 for possible language options.

### Cycle display will provide the current status of the wash cycle:

- Drying, Damp, Cool Down or Complete.

### Alerts will notify you of problems. Some examples:

- Inlet Thermostat problem
- Outlet Thermostat problem

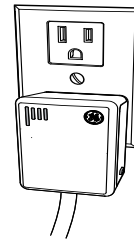
### What you will need for two-way communication:

- Nucleus home energy manager model
- Appliance communication Module model
- Broadband connection with router (Wi-Fi for iPhone® connection)
- Computer (Mac® or PC) and/or Internet capable iPhone®.

**NOTE:** If you also have a compatible **Energy Smart** washer, see Installation Instructions for additional parts.

## Installation

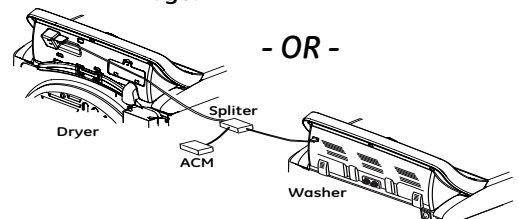
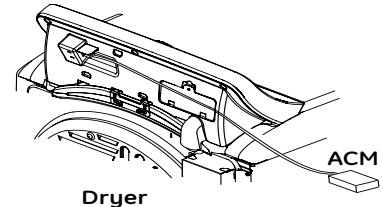
**Step 1:** Install your Nucleus Home Energy Manager/ Cable - near your internet router.



Refer to the Quick Start Guide/Installation Instructions included with this device for information needed to download software to a desktop and/or iPhone®.

**Step 2:** Install your Appliance Communication Module (ACM) in your Laundry area. Determine the most convenient location for your ACM. Install the ACM according to the Quick Start/Installation Instructions included with the device.

**Step 3:** Connect your ACM to your dryer or dryer-washer.



The ACM comes with a splitter, two 6' cables, and a 1' cable (see **Parts and Accessories** section). If you also have an **Energy Smart** washer, use the splitter to connect both appliances. **NOTE:** If this dryer did not come with a 6 foot cable, you may need to purchase a second 6 foot cable (see **Parts and Accessories** section).

For more information or questions, please visit: [www.gebrillion.com](http://www.gebrillion.com) or call 1-800-220-6899.

## **Energy Smart™**

Energy Smart enables your dryer to reduce energy consumption during periods of high energy costs. If you live in an area where your power provider charges different rates at various times of the day, your dryer will inform you of those times when you are paying the highest rate. The **Energy Smart** icon will illuminate on the dryer control panel, the cycle time will display "**ES**", and the operation will be in a delay mode. The dryer will delay start (up to 4 hours) until the rate goes down. You can override this feature by holding the **Delay Dry** button for 3 seconds to cancel and run it at your convenience (immediately or delayed 1-9 hours).

### **What you will need:**

- Smart Meter to communicate with your washer (call your power provider)
- An **Energy Smart** dryer (like this one)
- An Appliance Communication Module (ACM)

### **Installation:**

Step 1: Power provider installs a Smart Meter

Steps 2 & 3: Install an ACM. See the **Brillion Enabled Communication** section.

# About reversing the door.

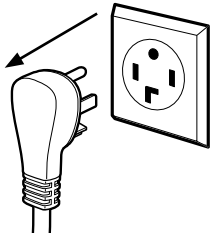
## Reversing the Door

### Tools needed:

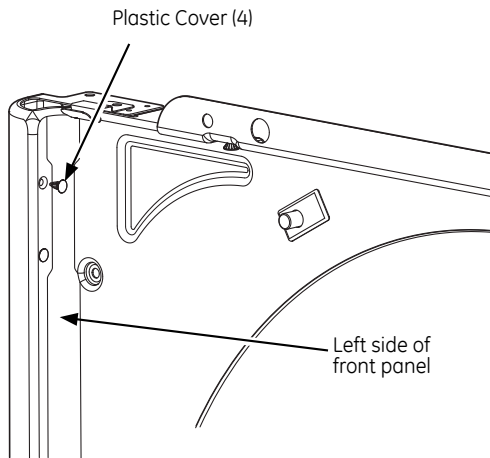
- Standard #2 Phillips screwdriver
- Tape-tipped putty knife
- Small flat blade screwdriver

### Before you Start

Unplug the dryer from its electrical outlet.

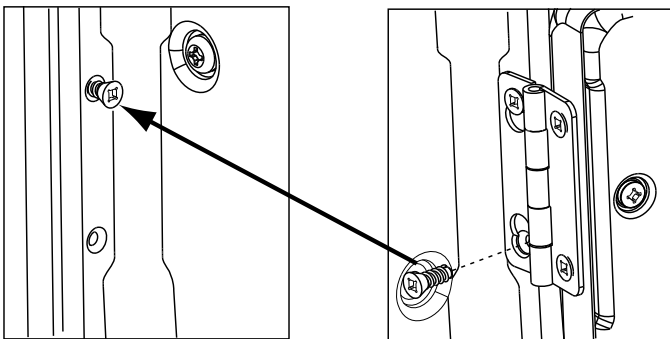


- 1** Open the door approximately 170 degrees. With a putty knife, remove the 4 plastic covers located along the left side of the front panel and set them aside.

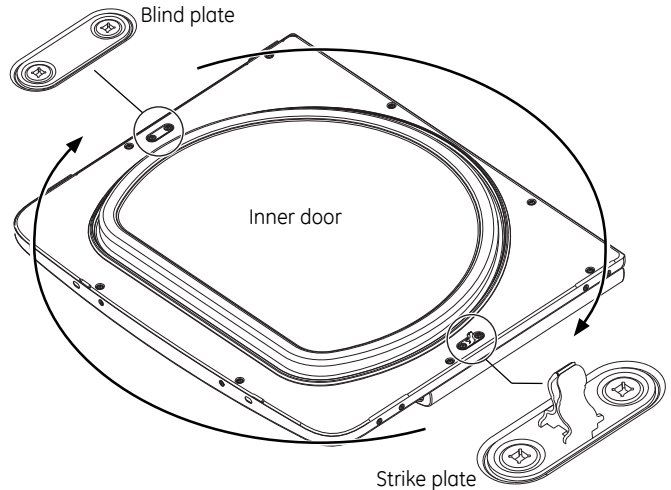


- 2** Remove the bottom screw from each hinge (right side) and partially insert them into the top left side hinge holes.

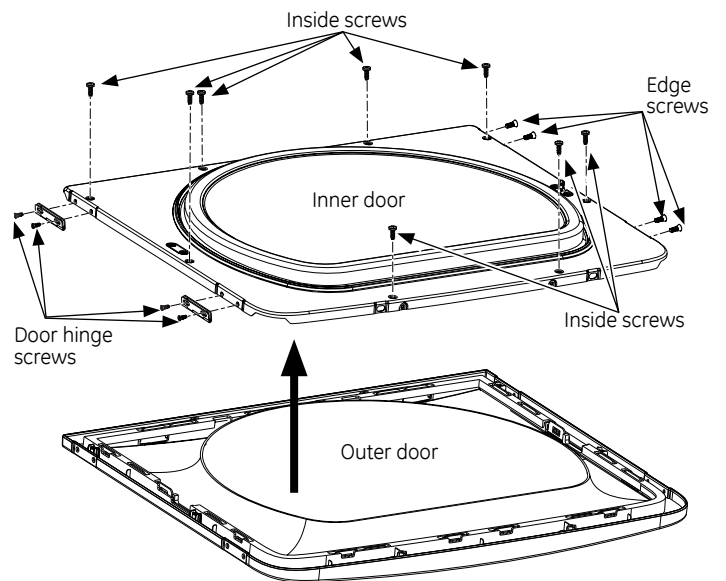
**NOTE:** All 4 front panel hinge screws will now be in the top hinge holes - 2 on the left and 2 on the right.



- 3** Loosen the bottom 2 right side hinge screws. Remove the door and place it on a protected flat surface to avoid any damage. Remove both the Blind Plate and the Strike Plate and install them in opposite positions.

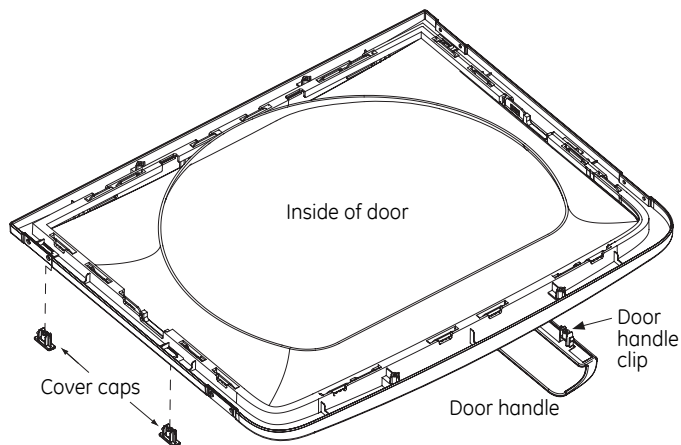


- 4** Remove the 4 door hinge screws, 4 edge screws, and 8 inside screws. Lift the inner door upwards using a flat blade screwdriver.

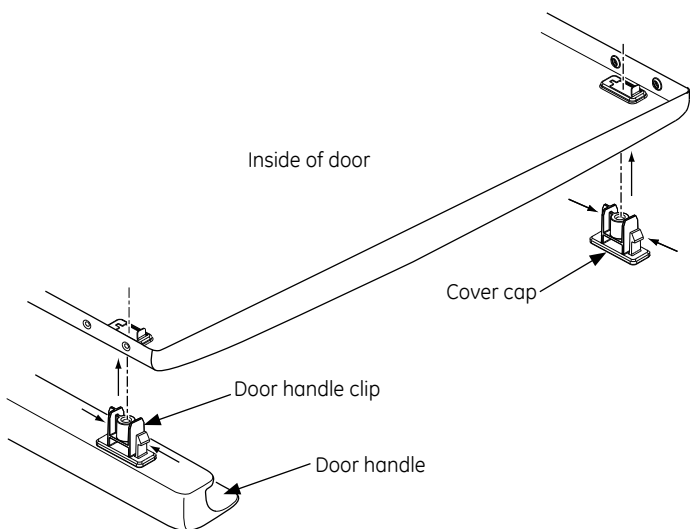


**5** Remove and swap the 2 cover caps and door handle from the outer door:

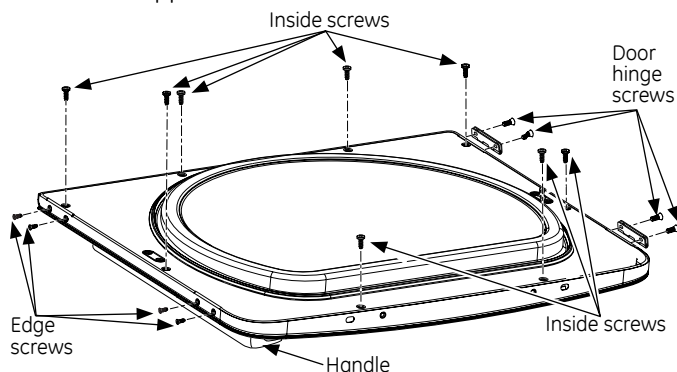
- A.** Squeeze the tabs on the inside of the door handle clips. Push clips through the outer door.
- B.** Squeeze the tabs on the inside of the cover caps. Push caps through the outer door.



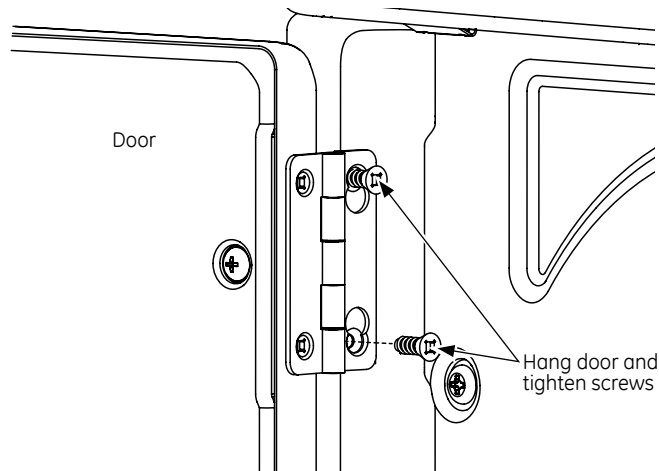
- C.** Push the door handle clips into the openings on the opposite side of the outer door making sure you flip the handle so it curves to the inside.
- D.** Push the cover caps into the openings on the outer door where the handle was removed.



**6** With the cover caps and door handle in place, mount the inner door back into the outer door with the screws removed in step 4. Make sure you mount the hinges on the side opposite the handle.



**7** Mount the assembled door on the 2 upper left side hinge screws installed in step 2. Move the hinge screws loosened in step 3 into the lower left side screw holes and firmly tighten all 4 screws.

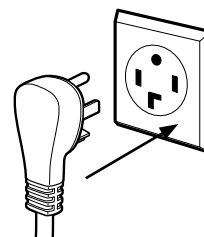


**8** Install the 4 plastic caps removed in step 1 into the 4 right side front panel holes.

**NOTE:** To return the door to the original setup, follow these instructions, swapping "left" and "right".

**When you finish**

Plug the dryer back into its electrical outlet.



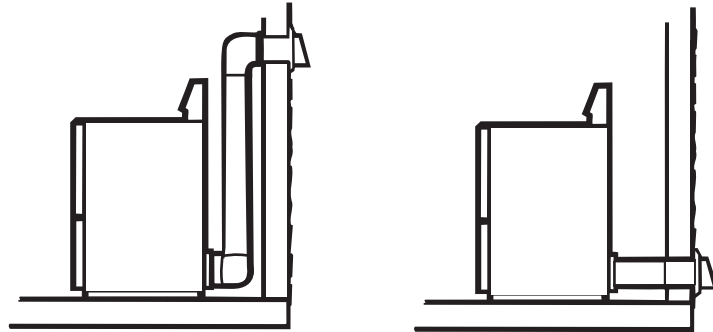
## About venting the dryer.

---

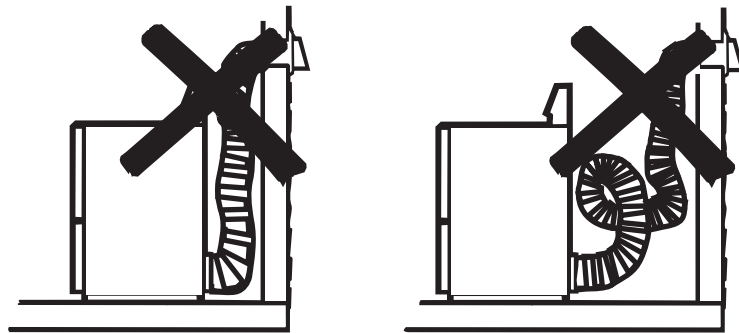
For the best drying performance, the dryer needs to be properly vented. **The dryer will use more energy and run longer if it is not vented to the below specifications. Carefully follow the details on Exhausting in the Installation Instructions.**

- Use only rigid metal 4" diameter ductwork inside the dryer cabinet. Use only rigid metal or UL listed flexible metal 4" diameter ductwork for exhausting to the outside. Minimize flexible ductwork sections to increase dryer efficiency.
- Do not use plastic or other combustible ductwork.
- Use the shortest length possible.
- Do not crush or collapse.
- Avoid resting the duct on sharp objects.
- **Venting must conform to local building codes.**

*Correct Venting*



*Incorrect Venting*





*Troubleshooting Tips*  
 Save time and money! Review the charts on the following pages, or visit **GEAppliances.com**. You may not need to call for service.

<b>Problem</b>	<b>Possible Causes</b>	<b>What To Do</b>
<b>Dryer doesn't start</b>	<b>Dryer is unplugged</b>	<ul style="list-style-type: none"> <li>• Make sure the dryer plug is pushed completely into the outlet.</li> </ul>
	<b>House Fuse is blown/circuit breaker is tripped</b>	<ul style="list-style-type: none"> <li>• Check the house fuse/circuit breaker box and replace fuse or reset breaker. <b>NOTE:</b> Most electric dryers use two fuses/breakers.</li> </ul>
	<b>Dryer fuse blown</b>	<ul style="list-style-type: none"> <li>• The single (Gas) or one of the two (Electric) fuses in the rear of the backsplash blew because the house circuit protection didn't work. Have a qualified technician check for power at outlet.</li> </ul>
<b>Dryer doesn't heat</b>	<b>House Fuse is blown/circuit breaker is tripped; the dryer may tumble but not heat</b>	<ul style="list-style-type: none"> <li>• Check the house fuse/circuit breaker box and replace both fuses or reset both breakers. Your dryer may tumble if only one fuse is blown or one breaker is tripped.</li> </ul>
	<b>Gas service is off</b>	<ul style="list-style-type: none"> <li>• Make sure gas shutoff at dryer and main shutoff are fully open.</li> </ul>
	<b>No heat temperature selected</b>	<ul style="list-style-type: none"> <li>• Select another heat setting.</li> </ul>
<b>Dryer shakes or makes noise</b>	<b>Some shaking/noise is normal. Dryer may be sitting unevenly</b>	<ul style="list-style-type: none"> <li>• Move dryer to an even floor space, or adjust leveling legs as necessary until even.</li> </ul>
<b>Greasy spots on clothes</b>	<b>Improper use of fabric softener</b>	<ul style="list-style-type: none"> <li>• Follow directions on fabric softener package.</li> </ul>
	<b>Drying dirty items with clean ones</b>	<ul style="list-style-type: none"> <li>• Use your dryer to dry only clean items. Dirty items can stain clean items and the dryer.</li> </ul>
	<b>Clothes were not completely clean</b>	<ul style="list-style-type: none"> <li>• Sometimes stains which cannot be seen when the clothes are wet appear after drying. Use proper washing procedures before drying.</li> </ul>
<b>Lint on clothes</b>	<b>Lint filter is full</b>	<ul style="list-style-type: none"> <li>• Clean lint screen before each load.</li> </ul>
	<b>Improper sorting</b>	<ul style="list-style-type: none"> <li>• Sort lint producers (like chenille) from lint collectors (like corduroy).</li> </ul>
	<b>Static electricity can attract lint</b>	<ul style="list-style-type: none"> <li>• See suggestions in this section under <b>Static occurs</b>.</li> </ul>
	<b>Overloading</b>	<ul style="list-style-type: none"> <li>• Separate large loads into smaller ones.</li> </ul>
	<b>Paper, tissue, etc., left in pockets</b>	<ul style="list-style-type: none"> <li>• Empty all pockets before laundering clothes.</li> </ul>
<b>Static occurs</b>	<b>No fabric softener was used</b>	<ul style="list-style-type: none"> <li>• Try a fabric softener.</li> <li>• Bounce® Fabric Conditioner Dryer Sheets have been approved for use in all GE Dryers when used in accordance with the manufacturer's instructions.</li> </ul>
	<b>Over-drying</b>	<ul style="list-style-type: none"> <li>• Try a fabric softener.</li> <li>• Adjust setting to <b>Less Dry</b> or <b>Damp</b>.</li> </ul>
	<b>Synthetics, permanent press and blends can cause static</b>	<ul style="list-style-type: none"> <li>• Try a fabric softener.</li> </ul>
<b>Inconsistent drying times</b>	<b>Type of heat</b>	<ul style="list-style-type: none"> <li>• Automatic drying times will vary according to the type of heat used (electric, natural or LP gas), size of load, types of fabrics, wetness of clothes and condition of exhaust ducts.</li> </ul>
<b>The Dry dryness level was chosen but load is still damp</b>	<b>Load consists of a mixture of heavy and light fabrics</b>	<ul style="list-style-type: none"> <li>• When combining heavy and light fabrics in a load, choose <b>More Dry</b> if you are using a sensor cycle.</li> </ul>
	<b>Exhaust system is blocked</b>	<ul style="list-style-type: none"> <li>• Inspect and clean exhaust system.</li> </ul>

## Before you call for service...



<i>Problem</i>	<i>Possible Causes</i>	<i>What To Do</i>
<i>Clothes take too long to dry</i>	<b>Improper sorting</b>	<ul style="list-style-type: none"> <li>Separate heavy items from lightweight items (generally, a well-sorted washer load is a well-sorted dryer load).</li> </ul>
	<b>Large loads of heavy fabrics (like beach towels)</b>	<ul style="list-style-type: none"> <li>Large, heavy fabrics contain more moisture and take longer to dry. Separate large, heavy fabrics into smaller loads to speed drying time.</li> </ul>
	<b>Controls improperly set</b>	<ul style="list-style-type: none"> <li>Match control settings to the load you are drying.</li> </ul>
	<b>Lint filter is full</b>	<ul style="list-style-type: none"> <li>Clean lint filter before every load.</li> </ul>
	<b>Improper or obstructed ducting</b>	<ul style="list-style-type: none"> <li>Check installation instructions for proper ducting/venting.</li> <li>Make sure ducting is clean, free of kinks and unobstructed.</li> <li>Check to see if outside wall damper operates easily.</li> <li>Check the Installation Instructions to make sure the dryer venting is correct.</li> </ul>
	<b>Blown fuses or tripped circuit breaker</b>	<ul style="list-style-type: none"> <li>Replace fuses or reset circuit breakers. Electric dryers use 2 fuses/breakers, make sure both are operating.</li> </ul>
	<b>Overloading/combining loads</b>	<ul style="list-style-type: none"> <li>Do not put more than one washer load in the dryer at a time.</li> </ul>
<i>Clothes are wrinkled</i>	<b>Over-drying</b>	<ul style="list-style-type: none"> <li>Select a shorter drying time.</li> <li>Remove items while they still hold a slight amount of moisture. Select a <b>Less Dry</b> or <b>Damp Dry</b> setting.</li> </ul>
	<b>Letting items sit in dryer after cycle ends</b>	<ul style="list-style-type: none"> <li>Remove items when cycle ends and fold or hang immediately.</li> </ul>
	<b>Overloading</b>	<ul style="list-style-type: none"> <li>Separate large loads into smaller ones.</li> </ul>
<i>Clothes shrink</i>	<b>Some fabrics will naturally shrink when washed. Others can be safely washed, but will shrink in the dryer</b>	<ul style="list-style-type: none"> <li>To avoid shrinkage, follow garment care labels exactly.</li> <li>Some items may be pressed back into shape after drying.</li> <li>If you are concerned about shrinkage in a particular item, do not machine wash or tumble dry it</li> </ul>
<i>Water seen on inside of door and top of lint filter when opening door after steam cycle</i>	<b>Steam condenses on these surfaces</b>	<ul style="list-style-type: none"> <li>This is normal.</li> </ul>
<i>Small areas on clothes are damp after steam cycle</i>	<b>Steam condenses on inner drum</b>	<ul style="list-style-type: none"> <li>If using the <b>Steam Dewrinkle</b> cycle, manually reduce the cycle time. If using the <b>Steam Refresh</b> cycle, add more garments to the load.</li> </ul>
<i>Collars and waistbands still wet at end of cycle</i>	<b>The dryness monitor senses that the body of the clothes is dry</b>	<ul style="list-style-type: none"> <li>Choose <b>Speed Dry</b> or <b>Timed Dry</b> to dry damp collars and waistbands. In the future, when drying a load with collars and waistbands, choose <b>More Dry</b>.</li> </ul>
<i>Slight variation in metallic color</i>	<b>This is normal</b>	<ul style="list-style-type: none"> <li>Due to the metallic properties of paint used for this unique product, slight variations of color may occur due to viewing angles and lighting conditions.</li> </ul>





<b>Problem</b>	<b>Possible Causes</b>	<b>What To Do</b>
<b>Small amount of water on floor in front of dryer</b>	Inadequate load size for steam cycle selected, excess steam condenses inside cabinet and leaks out	<ul style="list-style-type: none"> <li>If using the <b>Steam Dewrinkle</b> cycle, manually reduce time. If using the <b>Steam Refresh</b> cycle, add more garments to the load.</li> </ul>
<b>Water on floor in back of dryer</b>	Loose water hose connection to valve	<ul style="list-style-type: none"> <li>Tighten connection.</li> </ul>
	Hose missing rubber washer at connection with valve	<ul style="list-style-type: none"> <li>Install rubber washer provided with hose.</li> </ul>
<b>Water drips from door when opened after a Steam Cycle</b>	Steam condenses on inner door	<ul style="list-style-type: none"> <li>This is normal.</li> </ul>
<b>Cannot see steam at beginning of cycle</b>	Steam released at different time in cycle	<ul style="list-style-type: none"> <li>This is normal.</li> </ul>
<b>Cannot see steam at any time during the cycle</b>	The steam nozzle might be clogged with debris from your water supply	<ul style="list-style-type: none"> <li>Call <b>800.GE.CARES</b> to order nozzle replacement kit <b>WE25M71</b> or to request a service technician to replace this for you.</li> </ul>
<b>Garments still wrinkled after steam cycle</b>	Too many garments	<ul style="list-style-type: none"> <li>Load fewer garments; manually increase time.</li> </ul>
<b>Garments are wet after Steam cycle</b>	Lint filter not clean	<ul style="list-style-type: none"> <li>Clean lint filter</li> </ul>
	Load is children/infant garments	<ul style="list-style-type: none"> <li>Use the <b>Steam Refresh</b> cycle.</li> </ul>
<b>No numbers displayed during cycle, only lights</b>	Dryer is continuously monitoring the amount of moisture in the clothes	<ul style="list-style-type: none"> <li>This is normal. When the dryer senses a low level of moisture in the load, the dryer will display the dry time remaining.</li> </ul>
<b>Time Remaining jumped to a lower number</b>	The estimated time may change when a smaller load than usual is drying	<ul style="list-style-type: none"> <li>This is normal.</li> </ul>
<b>Dryer is running but 000 is displayed in Time Remaining</b>	The Extended Tumble option/ Steam Refresh cycle was chosen	<ul style="list-style-type: none"> <li>This is normal. During <b>Extended Tumble</b> option/<b>Steam Refresh</b> cycle, the time remaining is not displayed. The extended tumble option lasts approximately 60 minutes.</li> </ul>
<b>Clothes are still wet and dryer shuts off after a short time</b>	The door was opened mid-cycle. The load was then removed from the dryer and a new load put in without selecting a new cycle	<ul style="list-style-type: none"> <li>A dry cycle must be re-selected each time a new load is put in.</li> </ul>
	Small load	<ul style="list-style-type: none"> <li>When drying 3 items or less, choose <b>Speed Dry</b> or <b>Timed Dry</b>.</li> </ul>
	Load was already dry except for collars and waistbands	<ul style="list-style-type: none"> <li>Choose <b>Speed Dry</b> or <b>Timed Dry</b> to dry damp collars and waistbands. In the future, when drying a load with collars and waistbands, choose <b>More Dry</b>.</li> </ul>
	Dryer is not level	<ul style="list-style-type: none"> <li>Move dryer to an even floor space or adjust leveling legs as necessary until even.</li> </ul>
<b>Dryer turns off</b>	Very small load (such as one item) is not activating the dry sensor	<ul style="list-style-type: none"> <li>Use the <b>Timed Dry</b> cycle option, select the desired dry time.</li> </ul>

**Notes.**

---

# GE Dryer Warranty.



All warranty support provided by our Factory Service Centers, or an authorized Customer Care® technician. To schedule service, on-line, 24 hours a day, visit us at **GEAppliances.com** or call **800.GE.CARES** (800.432.2737). Please have serial number and model number available when calling for service.

Staple your receipt here.  
Proof of the original purchase date is needed to obtain support under the warranty.

---

## For The Period Of: GE Will Replace:

---

### One Year

From the date of the original purchase

**Any part** of the dryer which fails due to a defect in materials or workmanship. During this **limited one-year warranty**, GE will also provide, **free of charge**, all labor and related service costs to replace the defective part.

### Second Year

From the date of the original purchase

**Any part** of the dryer which fails due to a defect in materials or workmanship. During this **additional one-year limited warranty**, you will be responsible for any labor or related service costs.

### Second through Fifth Year

From the date of the original purchase

**The extra large or super capacity dryer drum and main electronic control board**, if any of these parts should fail due to a defect in materials or workmanship. **During this additional four-year limited warranty**, you will be responsible for any labor or related service costs.

---

## What GE Will Not Cover:

---

- Service trips to your home to teach you how to use the product.
- Improper installation, delivery or maintenance.
- Failure of the product if it is abused, misused, or used for other than the intended purpose or used commercially.
- Replacement of house fuses or resetting of circuit breakers.
- Damage to the product caused by accident, fire, floods or acts of God.
- Incidental or consequential damage caused by possible defects with this appliance.
- Damage caused after delivery.
- Product not accessible to provide required service.
- Defects or damage due to operation in freezing temperatures.
- Products which are not defective or broken, or which are working as described in the Owner's Manual.

**EXCLUSION OF IMPLIED WARRANTIES—Your sole and exclusive remedy is product repair as provided in this Limited Warranty. Any implied warranties, including the implied warranties of merchantability or fitness for a particular purpose, are limited to one year or the shortest period allowed by law.**

This warranty is extended to the original purchaser and any succeeding owner for products purchased for home use within the USA. If the product is located in an area where service by a GE Authorized Servicer is not available, you may be responsible for a trip charge or you may be required to bring the product to an Authorized GE Service location for service. In Alaska, the warranty excludes the cost of shipping or service calls to your home.

Some states do not allow the exclusion or limitation of incidental or consequential damages. This warranty gives you specific legal rights, and you may also have other rights which vary from state to state. To know what your legal rights are, consult your local or state consumer affairs office or your state's Attorney General.

Warrantor: General Electric Company. Louisville, KY 40225

## Consumer Support.

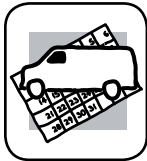
---



### *GE Appliances Website*

**GEAppliances.com**

Have a question or need assistance with your appliance? Try the GE Appliances Website 24 hours a day, any day of the year! For greater convenience and faster service, you can now download Owner's Manuals, order parts or even schedule service on-line.



### *Schedule Service*

**GEAppliances.com**

Expert GE repair service is only one step away from your door. Get on-line and schedule your service at your convenience 24 hours any day of the year! Or call **800.GE.CARES** (800.432.2737) during normal business hours.



### *Real Life Design Studio*

**GEAppliances.com**

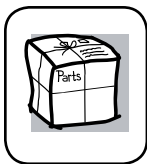
GE supports the Universal Design concept—products, services and environments that can be used by people of all ages, sizes and capabilities. We recognize the need to design for a wide range of physical and mental abilities and impairments. For details of GE's Universal Design applications, including kitchen design ideas for people with disabilities, check out our Website today. For the hearing impaired, please call **800.TDD.GEAC** (800.833.4322).



### *Extended Warranties*

**GEAppliances.com**

Purchase a GE extended warranty and learn about special discounts that are available while your warranty is still in effect. You can purchase it on-line anytime, or call **800.626.2224** during normal business hours. GE Consumer Home Services will still be there after your warranty expires.

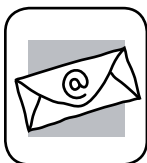


### *Parts and Accessories*

**GEApplianceparts.com**

Individuals qualified to service their own appliances can have parts or accessories sent directly to their homes (VISA, MasterCard and Discover cards are accepted). Order on-line today, 24 hours every day or by phone at 800.626.2002 during normal business hours.

Instructions contained in this manual cover procedures to be performed by any user. Other servicing generally should be referred to qualified service personnel. Caution must be exercised, since improper servicing may cause unsafe operation.



### *Contact Us*

**GEAppliances.com**

If you are not satisfied with the service you receive from GE, contact us on our Website with all the details including your phone number, or write to:

General Manager, Customer Relations  
GE Appliances, Appliance Park  
Louisville, KY 40225



### *Register Your Appliance*

**GEAppliances.com**

**Register your new appliance on-line—at your convenience!** Timely product registration will allow for enhanced communication and prompt service under the terms of your warranty, should the need arise. You may also mail in the pre-printed registration card included in the packing material.



Manual del propietario

# Secadoras

**Instrucciones de seguridad** ..... 2-3

**Instrucciones de operación**

Comunicación del Electrodoméstico ..... 10, 11  
Cómo cambiar el sentido de apertura de la puerta .....12, 13  
Cómo cargar y usar la secadora .. 9  
Funciones de la secadora ..... 8  
Instrucciones de uso ..... 4-7  
Ventilación de la secadora..... 14

**Consejos para la solución de problemas** ..... 15-17

**Soporte al consumidor**

Garantía ..... 19  
Piezas y accesorios..... 3, 20  
Soporte al consumidor ..... 20



*Escriba el número de modelo y de serie aquí:*


No. de modelo \_\_\_\_\_


No. de serie \_\_\_\_\_


Estos números se encuentran en una etiqueta en la parte delantera de la secadora, detrás de la puerta.


**234D1754P003** 49-90463-3 11-12 GE

# INFORMACIÓN DE SEGURIDAD IMPORTANTE. LEA TODAS LAS INSTRUCCIONES ANTES DE USAR.


 Éste es el símbolo de alerta de seguridad. El mismo alerta sobre potenciales riesgos que le pueden producir la muerte o lesiones tanto a usted como a otras personas. Todos los mensajes de seguridad estarán a continuación del símbolo de alerta de seguridad y con la palabra "PELIGRO", "ADVERTENCIA" o "PRECAUCIÓN". Estas palabras se definen como:

 **PELIGRO** Indica una situación de riesgo que, si no se evita, **producirá** la muerte o lesiones graves.

 **ADVERTENCIA** Indica una situación de riesgo que, si no se evita, **podría** producir la muerte o lesiones graves.

 **PRECAUCIÓN** Indica una situación de riesgo que, si no se evita, **podría** resultar en lesiones menores o moderadas.

## INSTRUCCIONES IMPORTANTES DE SEGURIDAD

 **ADVERTENCIA** Para reducir el riesgo de incendio, explosión, descargas eléctricas o lesiones sobre las personas al usar su electrodoméstico, siga las precauciones básicas, incluyendo lo siguiente:

- Lea todas las instrucciones antes de usar este electrodoméstico.
- NO seque prendas que en forma previa hayan sido secadas, lavadas, penetradas o manchadas con gasolina, solventes de limpieza en seco, u otras sustancias inflamables o explosivas, ya que despiden vapores que se podrían encender o explotar.
- NO permita que los niños jueguen sobre o dentro de este electrodoméstico. Cuando el electrodoméstico se use cerca de niños, será necesario supervisarlos de cerca.
- Antes de que este electrodoméstico quede fuera de uso o se descarte, retire la puerta del compartimiento de secado.
- NO introduzca las manos en la secadora cuando el tambor se encuentre en movimiento.
- NO instale ni guarde este electrodoméstico donde quede expuesto a los factores climáticos.
- NO manipule indebidamente los controles.
- No intente reparar ni reemplazar cualquier parte del electrodoméstico o realizar cualquier otro trabajo técnico, a menos que esto sea específicamente recomendado en las instrucciones de mantenimiento del usuario o en instrucciones publicadas sobre reparaciones del usuario, que entienda y para las cuales posea las destrezas necesarias.
- NO utilice suavizantes de tela ni productos para eliminar la estática, a menos que esto sea recomendado por el fabricante del suavizante de tela u otro producto.
- NO seque artículos que contengan goma, plástico, espuma o materiales similares tales como sostenes (brasieres) con relleno, zapatos deportivos, ganchos de goma, alfombras de baño, baberos de niño, pantalones de niño, bolsas plásticas y almohadas que se puedan derretir o quemar. Algunos materiales gomosos, cuando se calientan, bajo ciertas circunstancias podrían incendiarse por combustión espontánea.
- Limpie la rejilla para pelusas antes o después de cada carga.
- **NO UTILICE LA SECADORA SI EL FILTRO DE PELUSAS NO SE ENCUENTRA COLOCADO.**
- Evite la acumulación de pelusa, polvo o tierra alrededor del área de la apertura de ventilación y áreas adyacentes.
- La parte interior del electrodoméstico y el conducto de ventilación se deberán limpiar periódicamente por personal calificado del servicio técnico.
- NO coloque prendas expuestas a aceites de cocción en su secadora. Las prendas contaminadas con aceites de cocción podrán contribuir a una reacción química que podría hacer que una carga de ropa se prenda fuego.
- Coloque todos los materiales de lavandería (tales como detergentes, blanqueadores, etc.) fuera del alcance de los niños, preferentemente en un gabinete cerrado. Siga todas las advertencias de las etiquetas de los envases a fin de evitar lesiones.
- Mantenga el piso alrededor de sus electrodomésticos limpio y seco.
- El proceso de lavandería puede reducir los retardantes de las llamas sobre las telas. A fin de evitar dicho resultado, siga cuidadosamente las instrucciones del fabricante sobre el cuidado de las prendas.
- Desenchufe el electrodoméstico o apague el disyuntor antes de realizar el servicio técnico. Presionar el botón **Power** (*Encendido*) o **Start/Pause** (*Inicio/Pausa*) NO desconecta el encendido.
- NO intente usar este electrodoméstico si se encuentra dañado, funcionando mal, parcialmente desensamblado, o si tiene partes faltantes o rotas, incluyendo un cable o enchufe dañado.
- NO utilice aerosoles en o cerca de la secadora.
- NO utilice este electrodoméstico si se encuentra dañado, funcionando mal, parcialmente desensamblado, o si tiene partes faltantes o rotas, incluyendo un cable o enchufe dañado.
- Para acceder a las instrucciones de conexión a tierra, lea los "Requisitos Eléctricos" ubicados en las Instrucciones de Instalación.

## GUARDE ESTAS INSTRUCCIONES

## ADVERTENCIAS ADICIONALES SOBRE LA SECADORA A GAS



**WARNING** Para su seguridad, siga las instrucciones de este manual a fin de minimizar riesgos de incendio o explosión, o para evitar daños, lesiones personales o la muerte.

- NO guarde ni use gasolina u otros vapores y líquidos inflamables cerca de éste ni de otros electrodomésticos.
- QUÉ DEBE HACER SI HUELE GAS:
  - NO intente iluminar ningún electrodoméstico.
  - NO toque ningún interruptor eléctrico; NO use teléfonos en su edificio.
  - Haga que se retiren los ocupantes de la sala, edificio o área.
  - De inmediato llame a su proveedor de gas desde el teléfono de un vecino. - Siga las instrucciones del proveedor de gas.
  - Si no se puede comunicar con su proveedor de gas, llame al departamento de bomberos.
- La instalación y las reparaciones deberán ser realizadas por un instalador calificado, agencia de servicios o el proveedor de gas.

### Decreto para hacer cumplir las leyes sobre tóxicos y agua potable de California

Este decreto requiere que el Gobernador de California publique una lista de las sustancias que el estado sabe que causan cáncer, defectos de nacimiento y otros daños reproductivos y requiere que los comerciantes le adviertan a sus consumidores sobre el potencial de exposición a tales sustancias.

Los electrodomésticos de gas pueden causar la exposición a cuatro de estas sustancias, concretamente benceno, monóxido de carbono, formaldehído y hollín, principalmente causados por la combustión incompleta del gas natural o de combustibles LP.

Cuando las secadoras están ajustadas apropiadamente, se minimiza la combustión incompleta. La exposición a estas sustancias puede minimizarse aún más ventilando apropiadamente la secadora hacia el exterior.

## INSTALACIÓN ADECUADA

Esta secadora se deberá instalar y ubicar de acuerdo con las Instrucciones de Instalación antes de ser usada. Si no recibió las Instrucciones de Instalación, podrá acceder a las mismas ingresando a [GEAppliances.com](http://GEAppliances.com) o llamando al **800.GE.CARES** (800.432.2737).

- Conecte a tierra la secadora siguiendo todos los códigos y ordenanzas legales. Siga los detalles en las instrucciones de instalación.
- Instale o guarde en un lugar donde no quede expuesta a temperaturas bajo cero ni a los factores climáticos.
- Conecte a un circuito de corriente eléctrica adecuadamente calificado, protegido y medido a fin de evitar una sobrecarga eléctrica.
- Retire del embalaje todos los artículos cortantes y descarte todos los materiales de envío de la forma correcta.
- Retire la cinta de color protectora del panel de control.
- No obstruya el flujo del aire de ventilación. No apile ni coloque ropa sucia ni arroje tapetes contra el frente o la parte trasera de la lavadora.

### Manguera de Vapor y Agua:

GE recomienda enfáticamente el uso de piezas específicas de fábrica. A continuación figura una lista de mangueras de fabricas que podrá adquirir. Dichas mangueras son fabricadas y probadas de modo que se cubran las especificaciones de GE.

GE recomienda enfáticamente el uso de nuevas mangueras de suministro de agua. Con el paso del tiempo, las mangueras se degradan y deben ser reemplazadas cada 5 años, a fin de reducir el riesgo de fallas sobre las mismas y daños con el agua.

### Piezas y Accesorios

Ordene hoy a través de Internet en [GEAppliancesparts.com](http://GEAppliancesparts.com), las 24 horas del día o en forma telefónica llamando al **800.626.2002**, durante el horario comercial habitual.

### Número de Pieza Accesorio

WE25M53	Kit Completo (mangueras, lavadora con adaptador en Y) (incluido)
O	
WE1M847	LManguera Larga y
WE1M849	Manguera Corta
PM14X10056	Cepillo de ventilación de la abertura de la puerta de la secadora (no incluido)
WX14X10007	Cepillo con tubería giratoria LintEater™ (no incluido)
DR07X10002	Cable de 6'
DRM2E300V0	ACM, Divisor, dos Cables de 6' Cables y un Cable de 1'

### Escape/ Conducto:

- 1 Las secadoras **DEBERÁN** contar con un escape hacia el exterior a fin de evitar que grandes cantidades de humedad y pelusa sean soplados en la sala.
- 2 Use sólo conductos de metal rígido de 4" de diámetro dentro del gabinete de la lavadora y use sólo tuberías de transición de metal rígido de 4" de diámetro o aprobadas por UL, entre la secadora y el conducto hogareño. **EL USO DE UN CONDUCTO DE PLASTICO U OTRO MATERIAL COMBUSTIBLE PUEDE OCASIONAR UN INCENDIO. SI UN CONDUCTO PRESENTA UNA CORTADURA, ESTO PODRÁ OCASIONAR UN INCENDIO SI COLAPSA O DE ALGÚN MODO QUEDA RESTRINGIDO DURANTE SU USO O DURANTE LA INSTALACIÓN.**

Para más detalles, siga las Instrucciones de Instalación.

**GUARDE ESTAS INSTRUCCIONES** <sup>3</sup>

# Instrucciones de uso

## ⚠ ¡ADVERTENCIA!

Para reducir el riesgo de incendios, descargas eléctricas o heridas, lea las INSTRUCCIONES IMPORTANTES DE SEGURIDAD antes de utilizar este electrodoméstico.

### ADVERTENCIA



#### Riesgo de Explosión

Mantenga cualquier material y vapores inflamables, tales como gasolina, alejados de la secadora.

NO seque nada que alguna vez haya tenido algo inflamable en éste (incluso luego de lavar).

Si no se cumple con esto, se podrá producir una explosión, incendio o la muerte

### ADVERTENCIA



#### Riesgo de Incendio

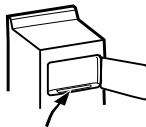
Ninguna lavadora puede eliminar el aceite por completo. No seque nada que alguna vez haya tenido algún tipo de aceite (incluyendo aceites de cocina).

Las prendas con gomaespuma, goma, o plástico deberán ser secadas en un tendedero o utilizando un ciclo de Air Dry (Secado con Aire).

Si no se cumple con esto, se podrá producir una explosión, incendio o la muerte.

Es posible que las funciones y apariencias varíen con relación a su modelo a lo largo del manual.

#### Step 1



- Filtro para la limpieza de pelusa

#### Step 2



- Agregue ropa
- Cierre la puerta

#### Step 3



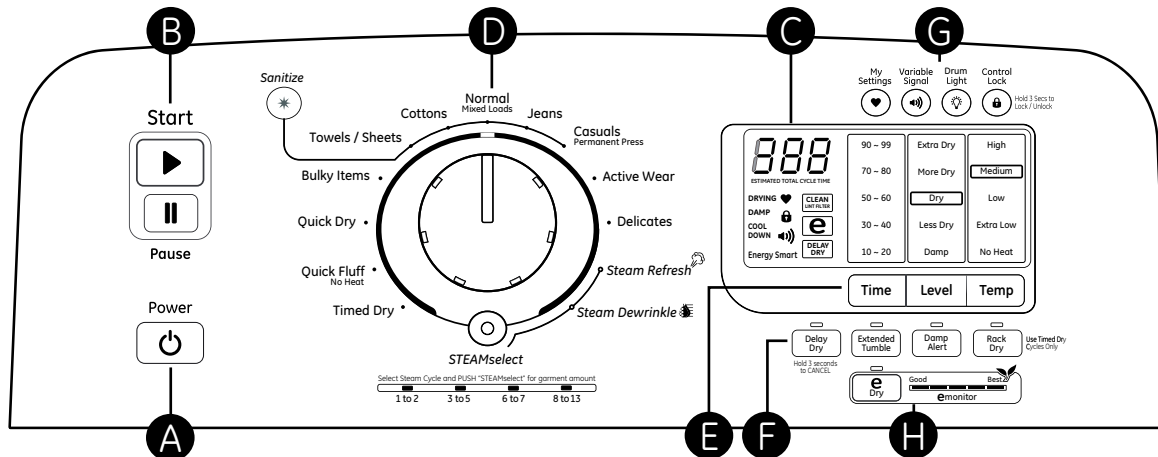
- Seleccione el ciclo de secado

#### Step 4



- Presione START (iniciar)

## Controles



- A Power (Encender)**  
Presione para "activar" la pantalla. Si la pantalla está activa, presione para que la lavadora quede en el modo inactivo.  
**NOTA:** Presionar **Power** (Encendido) no desconecta el electrodoméstico del suministro de corriente.
- B Start and Pause (Inicio y Pausa)**  
Presione **Start** (Inicio) para comenzar el ciclo. **NOTA:** La puerta se deberá cerrar para que la lavadora comience el ciclo. Presionar **Pause** (Pausa) pausará el ciclo, la luz de **Start** (Inicio) titilará y **"PAUSE"** (Pausa) se visualizará a través de la pantalla de LCD. Para continuar con el ciclo, presione la tecla Start (Iniciar) nuevamente. Para detener el ciclo, mantenga presionada la tecla durante 3 segundos
- C Display and Status Lights (Pantalla y las Luces de Status (Estatus))** (en algunos modelos)  
La pantalla muestra el tiempo restante aproximado hasta el final del ciclo.  
**Además, esta pantalla "mostrará" el estado de la lavadora:**
- **PAUSE** El Mensaje **"PAUSE"** (Pausa) se mostrará en la pantalla cuando el ciclo de la lavadora sea pausado. El ciclo podrá ser reiniciado presionando la tecla Start (Iniciar).
  - **door** El mensaje **"door"** (puerta) aparecerá cuando la puerta se abra durante el ciclo de la secadora.
  - **Cycle** El mensaje **"Cycle"** (Ciclo) aparecerá cuando la ropa esté seca y la lavadora esté recomendando un ciclo preferido para la siguiente carga (lea la sección **CleanSpeak**).
  - **DELAY** El mensaje **"DELAY"** (Retraso) aparecerá cuando se inicie el ciclo **Delay Dry** (Secado con Retraso). Será reemplazado por el tiempo estimado cuando el ciclo se inicie.
  - **ES** Secadora es en un inicio retrasado (máximo de 4 horas) esperando índices inferiores de corriente (consulte la sección **Acerca de la Comunicación del Electrodoméstico - Energy Smart**).



### C Luces de estado del ciclo

Muestra si la secadora se encuentra en el ciclo **DRYING** (Secado), **DAMP** (Humedecer), o **COOL DOWN** (Enfriar).

Las luces de la función de estado indican que:

- ♥ La función **My Settings** (Mis Configuraciones) está activada en este ciclo.
- 🔒 La secadora está bloqueada – titilará una vez si presiona cualquier botón o gira la perilla de ciclo.
- 🔊 La señal está activada. Consulte la descripción **Variable Signal** (Señal Variable).

Energy Smart

La sección **Energy Smart** fue seleccionada. Consulte la sección **Acerca de la Comunicación del Electrodoméstico - Energy Smart**.



La luz de **Filtro de Limpieza de Pelusas** permanecerá encendida durante 15 segundos una vez que el ciclo se detenga.



La función **eDry** (Secado Electrónico) fue seleccionada.



Se configuró un tiempo de **Delay Dry** (Secado con Retraso).

### D Ciclos de Secado – Los ciclos del sensor determinan de forma automática cuán seca está la tela. Los ciclos por tiempo funcionan durante una cantidad de tiempo seleccionada.

<b>Timed Dry</b> (Secado por Tiempo)	Configure Cycle Selector (Selector de Ciclo) durante el tiempo de secado que desee.
<b>Quick Fluff (Quitar Pelusas Rápido)/ No Heat (Sin Calor)</b>	Para refrescar y quitar pelusas de prendas, telas, prendas blancas y almohadas ya secas. Use con <b>No Heat</b> (Sin Calor). Brinda 10 minutos de giro sin calor.
<b>Quick Dry</b> (Secado Rápido)	Para pequeñas cantidades necesarias en un apuro, tales como prendas deportivas o uniformes escolares. También se puede usar si en el ciclo previo quedaron algunas prendas húmedas, tales como cuellos o pretinas. <b>NOTA:</b> En algunos modelos, el tiempo restante del ciclo mostrará la cuenta regresiva en la pantalla.
<b>Bulky Items</b> (Prendas Gruesas)	Para abrigos grandes, prendas de cama, cubiertas de colchones, bolsas de dormir y artículos grandes/gruesos similares tales como mantas, edredones, fundas y tapetes pequeños.
<b>Towels/Sheets*</b> (Toallas/ Sábanas)	Para la mayoría de las toallas y prendas blancas.
<b>Cottons (Algodones)</b>	Para algodones y la mayoría de las prendas blancas.
<b>Normal/Mixed Loads</b> (Cargas Normal/Combinadas)	Para cargas con algodones y telas combinadas.
<b>Jeans (Vaqueros)*</b>	Para Vaqueros.
<b>Casual/Perm. Press*</b> (Casual/Presión Permanente)	Para prendas sin arrugas, planchado permanente, prendas delicadas y tejidos.
<b>Active Wear</b> (Ropa Informal)	Para ropa deportiva y de ejercitación.
<b>Delicates</b> (Prendas Delicadas)	Para prendas delicadas, telas y tejidos que requieren cuidado especial.
<b>Steam Refresh</b> 🌀 (Refrescar al Vapor)	Para prendas secas apenas arrugadas. Reduce las arrugas de forma significativa. <b>NOTA:</b> Una sola prenda de tela extremadamente liviana necesitará que se incluya una prenda adicional en el ciclo <b>Steam Refresh</b> (Refrescar al Vapor) para obtener resultados óptimos.
<b>Steam Dewrinkle</b> 🌀 (Desarrugar al Vapor)	Para uso con cargas más pesadas que <b>Steam Refresh</b> (Refrescar al Vapor). Ideal para cargas que fueron dejadas en la secadora por un período de tiempo extendido.
<b>STEAMselect</b>	El botón <b>STEAMselect</b> se usa junto con las funciones <b>Steam Refresh</b> (Refrescar con Vapor) y <b>Steam Dewrinkle</b> (Desarrugar con Vapor). Al presionar el botón, se define cómo quedan muchas prendas dentro de la lavadora y cómo se ajusta el vapor y los tiempos de enfriados de forma consecuente.

**Notas sobre el Ciclo al Vapor (🌀 y 🌀):**

- **Importante** – La configuración de temperatura se deberá configurar en **HIGH** (Alto) y se deberá abrir el agua antes de activar el ciclo **Steam Refresh** (Refrescar al Vapor).
- La opción **Extended Tumble** (Giro Extendido) se activará.
- Luego del ciclo **Steam Dewrinkle** (Desarrugar al Vapor), la secadora emitirá un pitido (si se selecciona **Variable Signal** (Señal Variable)) y se exhibirá "000".
- No use un ciclo al vapor con prendas de lana, cuero, seda, lencería, productos de gomaespuma o mantas eléctricas.
- No use ciclo al vapor con ropa nueva sin un lavado previo.
- No se recomienda el uso de toallas en los ciclos al vapor.

<b>Sanitize</b> (Sanitize)	Esta opción reduce ciertos tipos de bacterias en un 99.9%, incluyendo: staphylococcus aureus, pseudomonas aeruginosa y klebsiella pneumoniae. El proceso antibacteriano ocurre cuando se utiliza un alto nivel de calor durante una parte del ciclo de secado. <b>NOTA:</b> No use este ciclo con telas delicadas. *Ciclos disponibles con la opción <b>Sanitize</b> (Desinfectado).
-------------------------------	-----------------------------------------------------------------------------------------------------------------------------------------------------------------------------------------------------------------------------------------------------------------------------------------------------------------------------------------------------------------------------------------

# Instrucciones de uso

## E Configuraciones

Configuraciones individuales para el ciclo **Timed Dry** (*Secado por Tiempo*) de minutos (**Time**), Nivel de Secado (**Level**), y temperatura (**Temp**) se pueden configurar desde el mínimo (inferior en la columna) al máximo (superior en la columna). En general, cuanto más arriba en la columna, más energía se usará.

**Time (Tiempo)** – Selección sólo para ciclo por Tiempo.

Cada "configuración" le permite especificar un tiempo inferior (1 toque) o superior (2 toques) trabajando desde un mínimo de 10 minutos hasta un máximo de 99 minutos de tiempo de secado (10, 20, 30, 40, ...80, 90, 99, 10...)

**Dryness Level (Nivel de Secado)** – Selección usada únicamente para ciclos del Sensor. Los ciclos por tiempo funcionan durante una cantidad de tiempo seleccionada.

**Extra Dry (Extra Seco)** Se usa con telas o prendas pesadas que deberían estar muy secas, tales como toallas.

**More Dry (Más Seco)** Se usa con tipos de telas pesadas o combinadas.

**Dry (Seco)** Se usa en el nivel de secado normal, adecuado para la mayoría de las cargas. Éste es el ciclo preferido para ahorrar energía.

**Less Dry (Menos Seco)** Se usa con telas más livianas.

**Damp (Húmedo)** Para dejar las prendas parcialmente húmedas.

## Temperatura

**High (Alta)** Para algodones de regular a pesados.

**NOTA: Steam Dewrinkle** (*Desarrugar al Vapor*) y **Steam Refresh** (*Refrescar al Vapor*) requieren la configuración de temperatura High (Alta).

**Medium (Media)** Para ropas sintéticas, combinadas, delicadas y prendas con etiqueta de planchado permanente.

**Low (Baja)** Para prendas delicadas, sintéticas y con etiqueta para secado en la secadora a nivel bajo.

**Extra Low (Extra Baja)** Para prendas delicadas, sintéticas y con etiqueta para secado en la secadora a nivel bajo.

**No Heat (Sin Calor)** Para prendas con pelusa sin calor. Para uso únicamente con los ciclos Timed Dry (Secado por Tiempo).

## F Opciones

### Delay Dry (Secado Retrasado)

A medida que se presiona el botón **Delay Dry** (*Secado Retrasado*) de forma repetida, el tiempo de retraso se configura de 1 a 9 horas, y vuelve a cero (0). Luego de seleccionar el tiempo de demora, presione **Start** (*Iniciar*) y el tiempo de demora hará la cuenta regresiva hasta que el ciclo comience.

Si el botón **Delay Dry** (*Secado Retrasado*) es presionado durante 3 segundos, vuelve a cero (sin importar el tiempo de retraso) o finaliza un ciclo de retraso.

### Extended Tumble (Secado Extendido)

Use esta opción para minimizar las arrugas en la ropa. Brinda 1 hora de giro sin calor una vez que la ropa está seca. Si está usando el ciclo **Signal** (*Señal*) y seleccionó la opción **Extended Tumble** (*Secado Extendido*), sonará una señal al final del tiempo de secado y cada 5 minutos durante el ciclo **Extended Tumble** (*Secado Extendido*). Esto le recordará que es hora de retirar la ropa.

### Damp Alert (Alerta de Humedad)

Esta opción hace que la secadora emita un pitido cuando la ropa se secó hasta un nivel de humedad. Retire las prendas que desea colgar para que se sequen. **Damp Alert** (*Alerta de Humedad*) sólo sonará cuando esta opción sea seleccionada (pero el ciclo de secado continuará en funcionamiento). Retirar la ropa y colgarla cuando está húmeda puede reducir la necesidad de planchar algunas prendas. La luz junto a la tecla se encenderá cuando la función **Damp Alert** (*Alerta de Humedad*) esté activada.

### Rack Dry (Secado en Estante)

**Rack Dry** (*Secado en Estante*) sólo es autorizado para los ciclos por Tiempo (**Time Dry** (*Secado por Tiempo*) y **Quick Fluff** (*Quitar Pelusas Rápido*)). Las luces se apagan si la perilla ciclo es girada a un ciclo que no es por tiempo.

## G My Settings (Mis Configuraciones) ♥

A medida que la perilla del selector de ciclo es girada, las configuraciones de **Nivel** (*Nivel de Secado*), **Temp** (*Temperatura*) y **Tiempo** (*Secado por Tiempo*) cambian a configuraciones automáticas preconfiguradas por omisión. Si desea una configuración diferente, presione la tecla(s) apropiada. Luego mantenga presionado el botón **My Settings** (*Mis Configuraciones*) durante 3 segundos. Los botones de estado y de luz se encenderán y la secadora guardará estas configuraciones para esa selección de perilla. En el futuro, al girar la perilla del selector a ese ciclo, sus configuraciones serán reactivadas de forma automática.

Para regresar temporalmente (para esta carga) a las configuraciones preconfiguradas por omisión, presione el botón **My Settings** (*Mis Configuraciones*) durante ½ segundo. Los botones de estado y de las luces se apagarán y las opciones regresarán a estas configuraciones por omisión. Para hacer que estas configuraciones por omisión sean permanentes, mantenga presionado el botón **My Settings** (*Mis Configuraciones*) nuevamente durante 3 segundos para que sean sus configuraciones preferidas (las luces se volverán a encender).

**NOTA:** El volumen de **Variable Signal** (*Señal Variable*) no se puede configurar para **My Settings** (*Mis Configuraciones*).

### Variable Signal (Señal Variable) ◀▶

Use el botón **Variable Signal** (*Señal Variable*) para cambiar el volumen de la señal del fin del ciclo y las señales del control. Presione el botón hasta que alcance el volumen deseado (bajo, medio, alto) o se apague. Presione la tecla hasta que alcance el volumen deseado o se apague. La ropa debería ser retirada cuando el pitido se apaga, de modo que las arrugas no se asienten.

#### NOTA:

- Retire las prendas de forma rápida al escuchar el sonido de la señal. Coloque la ropa en perchas, de modo que las arrugas no se asienten.
- Use la función **Variable Signal** (*Señal Variable*) especialmente al secar telas tales como poliéster, tejidos y planchado permanente. Estas telas se deberían retirar, de modo que las arrugas no se asienten.

### Drum Light (Luz del Tambor) 💡

La luz del tambor se encenderá si el botón **Drum Light** (*Luz del Tambor*) es presionado o la puerta es abierta. Permanecerá encendida hasta que la puerta sea cerrada o el botón **Drum Light** (*Luz del Tambor*) o **Power** (*Encendido*) sean presionados.

### Control Lock (Bloqueo del Control) 🔒

Puede bloquear los controles para evitar que se haga cualquier selección. O puede bloquear los controles luego de haber iniciado un ciclo. Los niños no pueden iniciar de forma accidental la lavadora presionando las teclas cuando esta opción haya sido seleccionada.

**Para bloquear los controles la lavadora**, mantenga presionado el botón **Control Lock** (*Bloqueo del Control*) durante 3 segundos. El ícono de bloqueo del control se encenderá cuando esté bloqueado.

**Para desbloquear los controles la lavadora**, mantenga presionado el botón **Control Lock** (*Bloqueo del Control*) durante 3 segundos.

**NOTA:** El botón **Power** (*Encendido*) aún podrá ser usado cuando la máquina esté bloqueada.

## H eDry

Disponible para **Bulky Items** (*Prendas Gruesas*), **Towels/Sheets** (*Toallas/ Sábanas*), **Cottons** (*Prendas de Algodón*), **Normal/Mixed Loads** (*Cargas Normales/Combinadas*), **Jeans** (*Vaqueros*), **Casuals/Permanent Press** (*Ropa Casual/Presión Permanente*), **Active Wear** (*Ropa Deportiva*), y **Delicates** (*Prendas Delicadas*) Cuando se presiona la tecla eDry, las configuraciones del ciclo cambian a fin de reducir el consumo de energía total del ciclo del sensor seleccionado. **NOTA:** Los tiempos del ciclo cambiarán cuando se seleccione eDry.

La luz del **eMonitor** muestra la energía relativa usada para el ciclo y opciones seleccionadas. Ellas son utilizadas como una guía de energía y el rango es de Bueno (1 luz) a Mejor (5 luces). El ciclo (Tiempo), nivel de secado, temperatura y opciones adicionales de rotación pueden incrementar o disminuir la eficiencia de energía. Algunos ciclos especiales no mostraran luz de advertencia.

## Funciones de la secadora.

### **Sensor Dry (Secado por Sensor)**

Esta función es activada en todos los ciclos excepto en el ciclo por Tiempo (**Timed Dry** (Secado por Tiempo) y **Quick Fluff** (Quitar Pelusas Rápido)) y Steam (**Steam Refresh** (Refrescar con Vapor) y **Steam Dewrinkle** (Desarrugar con Vapor)).

El **Sensor Dry** brinda mayor exactitud de secado que las unidades convencionales, permitiendo menores plazos de secado y mejor mantenimiento de las prendas. Mientras giran las prendas, entran en contacto con un sensor de humedad.

El sensor detendrá el ciclo de calentamiento tan pronto como se hayan alcanzado la sequedad seleccionada.

Su secadora irá ajustando el tiempo de secado inicial estimado mientras "aprende" sus hábitos de uso particulares. Después de varias semanas la secadora quedará totalmente personalizada a sus hábitos de uso.

### **Time Dry (Secado por Tiempo)**

Esta función es activada en los ciclos **Timed Dry** (Secado por Tiempo) y **Quick Fluff** (Quitar Pelusas Rápido). El tiempo (10, 20, 30, 40, ...80,

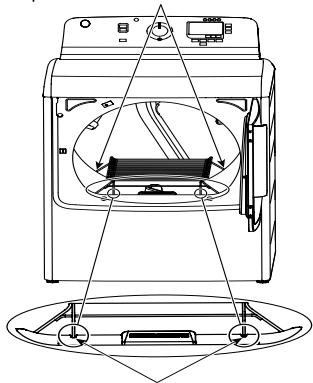
90, 99) es especificado a través del botón **Time** (Tiempo).

### **Steam Cycle (Ciclo con Vapor)**

Esta función es activada en los ciclos **Steam Refresh** (Refrescar con Vapor) y **Steam Dewrinkle** (Desarrugar con Vapor). Use **STEAMselect** para indicar el número de prendas.

### **Rejilla de secado** (en algunos modelos)

Coloque las dos patas traseras sobre la parte saliente en ángulo de la pared trasera



Asegure las dos patas rectas de la parte frontal interna en los agujeros ovales a ambos lados de la manija del filtro de pelusas

La rejilla de secado se puede usar para secar artículos delicados tales como suéteres lavables.

Enganche el estante en el filtro de pelusas, de modo que el estante se extienda sobre el tambor de la secadora

#### **NOTA:**

- La rejilla de secado se debe usar con el **CICLO DE SECADO CRONOMETRADO**.
- No use esta rejilla cuando esté secando otra ropa en la secadora.

### **Para usar el estante de secado:**

- 1** Inserte el estante de secado en la abertura de la secadora con el lado de las dos patas hacia la parte trasera y el lado de las cuatro patas hacia el frente
- 2** Coloque las dos patas traseras sobre la parte saliente en ángulo de la pared trasera.
- 3** Asegure las dos patas rectas de la parte frontal interna en los agujeros ovales a ambos lados de la manija del filtro de pelusas.

**NOTA:** Gire el tambor de la secadora de forma manual en dirección de las agujas del reloj, para asegurar que las placas despejen el estante.

### **El tambor giratorio de acero inoxidable** (en algunos modelos)

El acero inoxidable usado para construir el tambor giratorio de la secadora proporciona la alta confiabilidad en una secadora GE. Si el tambor giratorio de la secadora llegara a rayarse o a abollarse durante el uso normal,

el tambor no se oxidará ni se corroerá. Estas marcas en la superficie no afectarán el funcionamiento o la durabilidad del tambor giratorio.

### **Drum Light (Luz del Tambor)**

La luz del tambor es una luz LED. Su reemplazo debe ser realizado por un técnico calificado

Siempre siga las instrucciones del fabricante de la ropa cuando lave.



## Ideas para la clasificación y carga de la ropa

Como regla general, si la ropa es clasificada apropiadamente para la lavadora, estará clasificada apropiadamente para la secadora.

No agregue toallitas suavizantes una vez la ropa se haya calentado. Esto podría causar que la ropa se manche. Las toallitas suavizantes acondicionadoras Bounce® se han aprobado para usarse con todas las secadoras GE de acuerdo con las instrucciones del fabricante.

**No sobrecargue.** Esto desperdicia energía y causa arrugas.

**No seque los siguientes artículos:** artículos de fibra de vidrio, prendas de lana que no sean lavables, artículos con recubrimientos de goma, plásticos, artículos con bordes plásticos o rellenos de espuma.



## Las etiquetas del cuidado de la tela

Aquí puede ver "símbolos" de etiquetas para indicar el cuidado de las telas.

### ETIQUETAS DE LAVADO

**Ciclo de lavado en máquina**

Normal	Planchado permanente/ resistente a arrugas	Suave/ delicado	Lavar a mano	No lave	No escurra

**Temperatura del agua**

Caliente (50°C/120°F)	Tibia (40°C/105°F)	Fría/fresca (30°C/85°F)

### ETIQUETAS DE LA LEJÍA

**Símbolos de blanqueador**

Cualquier blanqueador (cuando se necesita)	Sólo blanqueador sin cloro (cuando se necesita)	No use blanqueador

### ETIQUETAS DE SECADO

**Tumble dry / Secado con giro**

Dry / Seco	Normal	Permanent Press/ wrinkle resistant / Resistente a arrugas	Gentle / delicado / Gentil / Delicado	Do not tumble dry / No use secado / do not wash / con giro	Do not dry / No secar (No lavar)

**Heat setting / Temperatura de secado**

High / Alto	Medium / Mediana	Low / Baja	No heat / Sin calor / Con aire

**Special instructions / Instrucciones especiales**

Line dry / hang to dry / Cuelgue para secar	Drip dry / Ropa que no se arruga	Dry flat / Extendido	In the shade / En la sombra



## Cuidado y limpieza de la secadora

**El exterior:** Pásele un trapo y elimine el polvo o cualquier derrame de productos de lavandería con un trapo húmedo. Los productos de tratamiento para quitar mugre y manchas podrían dañar el panel de control de la secadora y afectar su apariencia. Aplique estos productos a cierta distancia de la secadora. Luego las telas podrán lavarse y secarse normalmente. Los daños causados a la secadora por estos productos no están cubiertos bajo su garantía.

**El filtro de pelusa:** Limpie el filtro de pelusa antes de cada uso. Retire el mismo presionando hacia arriba. Pase los dedos por el filtro. Es posible que se forme una acumulación de cera en el filtro de pelusas debido al uso de suavizantes de tela agregados a la secadora. Para eliminar dicha acumulación, lave la rejilla para atrapar pelusas con agua tibia y jabón. Seque totalmente y realice el reemplazo. No utilice la secadora sin el filtro de pelusas y la rejilla en sus correspondientes lugares.

Si observa un cambio en el funcionamiento de la secadora, aspire la pelusa del área del filtro de pelusas de la secadora.



**El acero inoxidable:** Para limpiar las superficies de acero inoxidable, use un trapo húmedo con un limpiador suave, no abrasivo apropiado para superficies de acero inoxidable. Remueva el residuo del limpiador y luego seque con un trapo limpio.

**El ducto de escape:** Inspeccione y limpie el ducto de escape por lo menos una vez al año para evitar los obstrucciones. Un escape parcialmente taponado puede prolongar el plazo de secado.

**Siga estos pasos:**

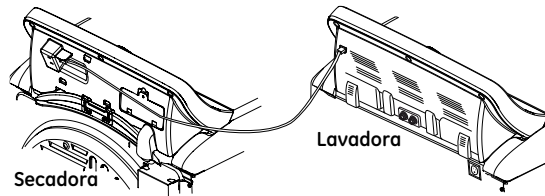
- 1 Apague el suministro eléctrico desconectando el enchufe de la pared.
- 2 Desconecte el conducto de la secadora.
- 3 Aspire el conducto con la conexión de manguera y vuelva a conectarlo.

**La salida de escape:** Inspeccione del exterior que las aletas de la salida de escape se mueven libremente durante la operación. Asegúrese de que ningún animal (pájaros, insectos, etc.) haya hecho su nido en el interior del conducto o en la salida de escape.

# Acerca de la Comunicación del Electrodoméstico.

## CleanSpeak™

Esta secadora puede tener comunicación con una lavadora compatible (una cuyo Manual del Propietario cuenta con una descripción de CleanSpeak) a través de un cable entre dichos electrodomésticos. Este cable es provisto con el modelo para secadoras con CleanSpeak o puede ser adquirido en forma aparte.



Al finalizar el ciclo de lavado, la lavadora envía una señal a la secadora para indicar un ciclo de secado preferido. Cuando la secadora deja de funcionar (aparece en "End" en la pantalla - o - se abre la puerta) "CYCLE" (Ciclo) aparecerá en la pantalla de este ciclo, el LED de configuración de la perilla del ciclo actual se encenderá, y (si es diferente) un segundo LED del ciclo recomendado titilará. Si finaliza el tiempo de "CYCLE" (Ciclo), presionar **Power** (Encendido) reiniciará éste y las luces LED. Si la perilla del ciclo secadora es girado, el LED sólido se moverá de forma consecuente. Presionar el botón **Start** (Iniciar) de la secadora iniciará la configuración de la perilla de ciclo (LED sólido) y apagará el recomendada (LED titilante) si un ciclo diferente es iniciado.

## Comunicación Permitida por Brillion

Esta secadora (y/o una lavadora compatible) podrá tener comunicación con su Computadora Hogareña y/o iPhone®. Utilizando el Gestor Inteligente de Energía Nucleus™ de GE y el Módulo de Comunicación del Electrodoméstico (ACM), usted podrá visualizar lo siguiente:

### En su computadora hogareña o iPhone®:

- Qué ciclo está en funcionamiento y en qué segmento se encuentra del ciclo actual (por ejemplo: "Cool Down" (Enfriar)).
- El tiempo estimado restante del ciclo que fue seleccionado.
- Cuándo un ciclo fue completado o si requiere mantenimiento o servicio técnico.
- Alertas que le notifican si la lavadora necesita mantenimiento o servicio técnico.

### Qué le permite hacer su software:

**NOTA:** Los mensajes aparecen en inglés. Para conocer las opciones posibles de idiomas, visite [www.gebrillion.com](http://www.gebrillion.com) o llame al 1-800-220-6899.

### La pantalla del ciclo le informará sobre el estado actual del ciclo de la lavadora:

- Drying (Secando), Damp (Humedeciendo), Cool Down (Enfriando) o Complete (Completo).

### Las alertas le notificarán sobre problemas.

#### Algunos ejemplos:

- Problema en la Entrada del Termostato
- Problema en la Salida del Termostato

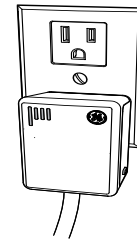
### Qué necesitará para una comunicación de dos vías:

- Modelo de gestión de energía hogareña Nucleus
- Modelo con Módulo de Comunicación del Electrodoméstico
- Conexión de banda ancha con enrutador (Wi-Fi para la conexión con iPhone®)
- Computadora (Mac® o PC) y/o iPhone® con conexión a Internet.

**NOTA:** Si también cuenta con una lavadora **Energy Smart**, consulte las Instrucciones de Instalación para acceder a piezas adicionales.

## Instalación

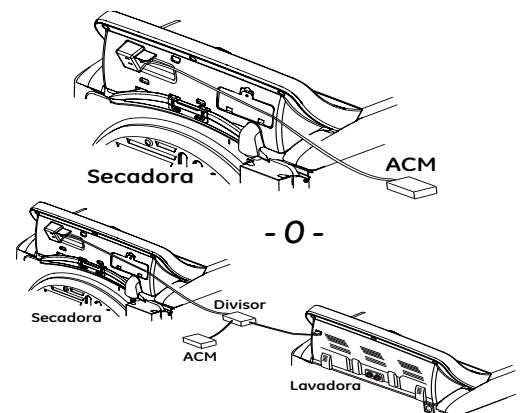
**Paso 1:** Instale su Gestor/Cable de Energía Hogareña Nucleus – cerca de su enrutador de internet.



Consulte la Guía de Inicio Rápido/ Instrucciones de Instalación incluidas con este dispositivo para acceder a información necesaria para descargar software a un escritorio y/o iPhone®.

**Paso 2:** Instale su Módulo de Comunicación de Electrodomésticos (ACM) en su área de lavandería. Determine la ubicación más conveniente para su Módulo de Comunicación de Electrodomésticos (ACM). Instale el ACM de acuerdo con la Guía Rápida/ Instrucciones de Instalación incluidas con este dispositivo.

**Paso 3:** Conecte el Módulo de Comunicación de Electrodomésticos (ACM) a su lavadora o lavasecadora.



El Módulo de Comunicación de Electrodomésticos (ACM) incluye un divisor, dos cables de 6', y un cable de 1' (consulte la sección **Piezas y Accesorios**). Si también cuenta con una lavadora **Energy Smart**, use el divisor para conectar ambos electrodomésticos. **NOTA:** Si esta secadora no incluye un cable de 6 pies, podría ser necesario que adquiera un segundo cable de 6 pies (consulte la sección **Piezas y Accesorios**). Para más información o para realizar consultas, visite: [www.gebrillion.com](http://www.gebrillion.com) o llame al 1-800-220-6899.

### **Energy Smart™**

Energy Smart permite que su secadora reduzca el consumo de corriente durante períodos de altos costos de corriente. Si usted se encuentra en un área donde su proveedor de electricidad cobra costos variables en diferentes horas del día, su secadora le informará sobre dichos momentos cuando esté pagando el costo más alto. El ícono de **Energy Smart** se iluminará en el panel de control de la secadora, el tiempo del ciclo exhibirá **"ES"**, y el funcionamiento estará en modo con retraso. La secadora retrasará el comienzo (hasta durante 4 horas) hasta que el índice descienda. Usted podrá anular esta función sosteniendo el botón **Delay Dry** (*Secado con Retraso*) durante 3 segundos para cancelar y hacerlo funcionar a su conveniencia (inmediatamente o con retraso de entre 1 y 9 horas).

#### **Qué necesitará:**

- Smart Meter podrá tener comunicación con su lavadora (llame a su proveedor de electricidad)
- Una secadora **Energy Smart** (como esta)
- Un Módulo de Comunicación para Electrodomésticos (ACM)

#### **Instalación:**

Paso 1: El proveedor de corriente instala un Smart Meter

Pasos 2 & 3: Instale un Módulo de Comunicación para Electrodomésticos (ACM). Consulte la sección de comunicación de **Comunicación Permitida por Brillion**.

# Cómo cambiar el sentido de apertura de la puerta.

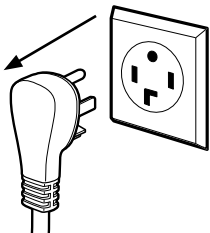
## Inversión de la Puerta

### Herramientas que necesitará:

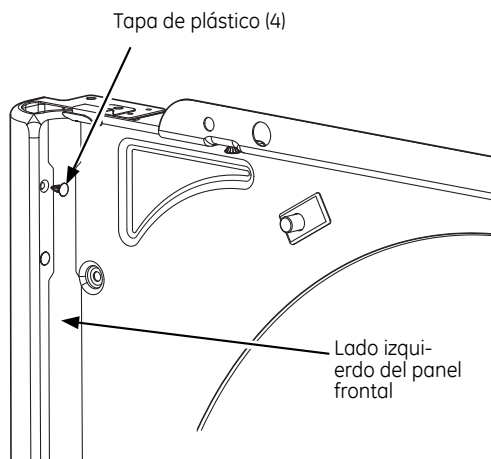
- Destornillado Phillips N° 2 Estándar
- Espátula con la punta cubierta con cinta
- Destornillador de punta plana pequeña

### Antes de Comenzar

Desenchufe la secadora del tomacorriente.

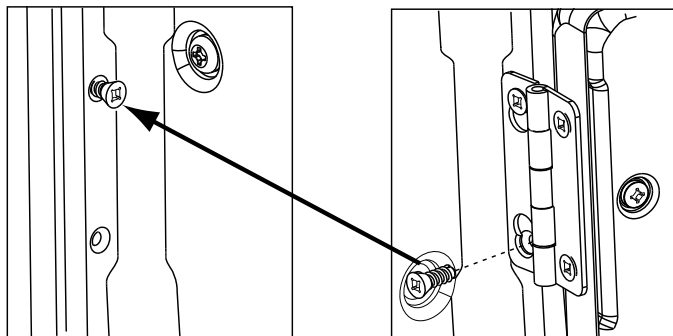


- 1** Abra la puerta aproximadamente 170 grados. Con una espátula, retire las 4 tapas de plástico ubicadas a lo largo del lado izquierdo del panel frontal y deje las mismas a un costado.

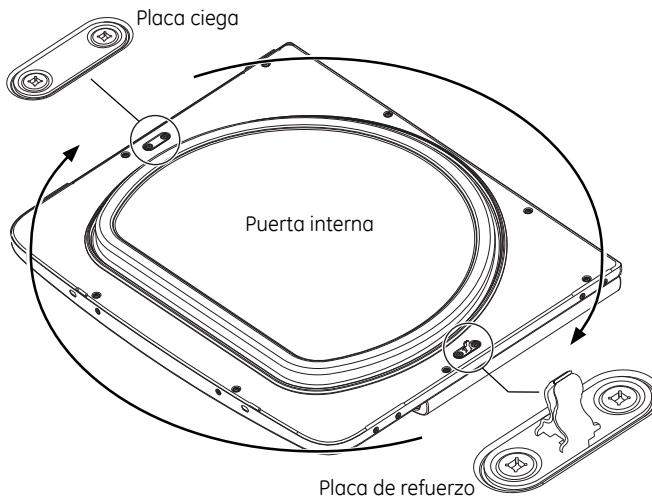


- 2** Retire el tornillo inferior de cada bisagra (lado derecho) e inserte parcialmente en los agujeros de las bisagras del lado superior izquierdo.

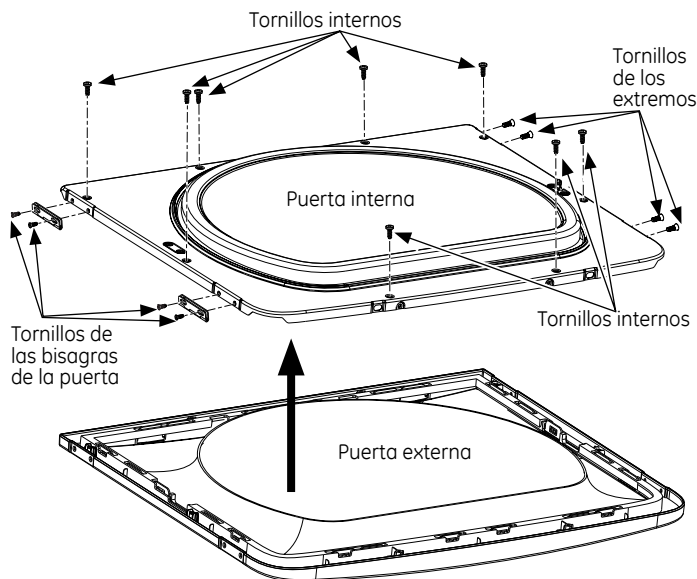
**NOTA:** Los 4 tornillos de la bisagra del panel frontal estarán ahora en los agujeros de la bisagra superior - 2 sobre la izquierda y 2 sobre la derecha.



- 3** Afloje los 2 tornillos de la bisagra inferior derecha. Retire la puerta y coloque la misma sobre una superficie plana protegida a fin de evitar cualquier daño. Retire la Placa Ciega y la Placa de Refuerzo e instale las mismas en posiciones opuestas.



- 4** Retire los 4 tornillos de las bisagras de la puerta, los 4 tornillos de los extremos, y los 8 tornillos interiores. Levante la puerta interna hacia arriba usando un destornillador de punta plana.

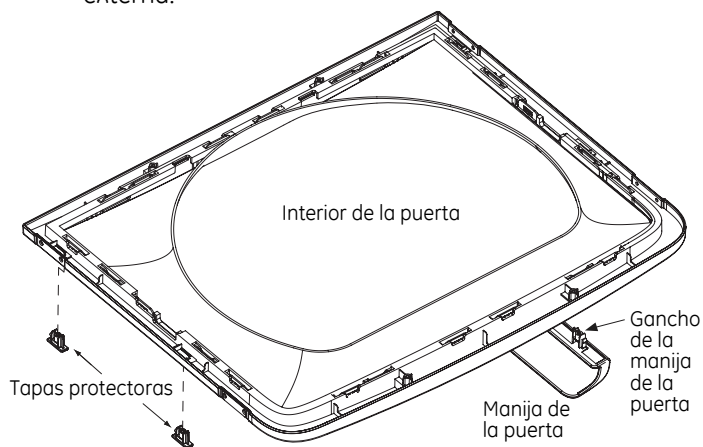




**5** Retire y cambie las 2 tapas protectoras y la manija de la puerta externa:

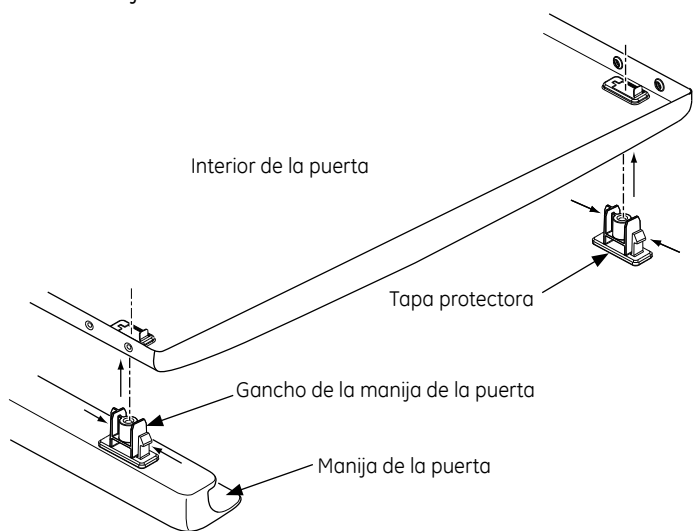
**A.** Apriete las lengüetas de la parte interna de los ganchos de la manija de la puerta. Presione los ganchos a través de la puerta externa.

**B.** Apriete las lengüetas de la parte interna de las tapas protectoras. Presione las tapas a través de la puerta externa.

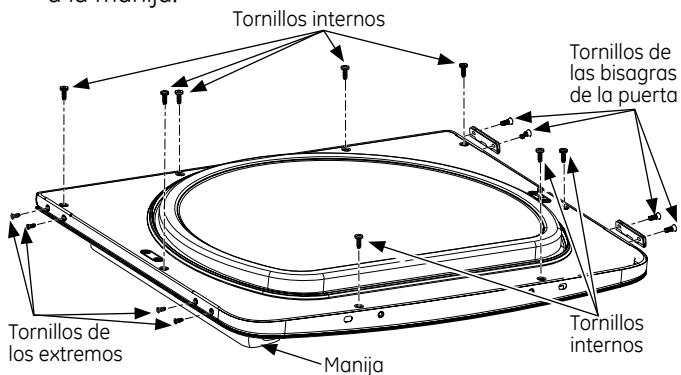


**C.** Presione los ganchos de la manija de la puerta en las aberturas sobre el lado opuesto de la puerta externa, asegurándose de voltear la manija de modo que se curve hacia la parte interna.

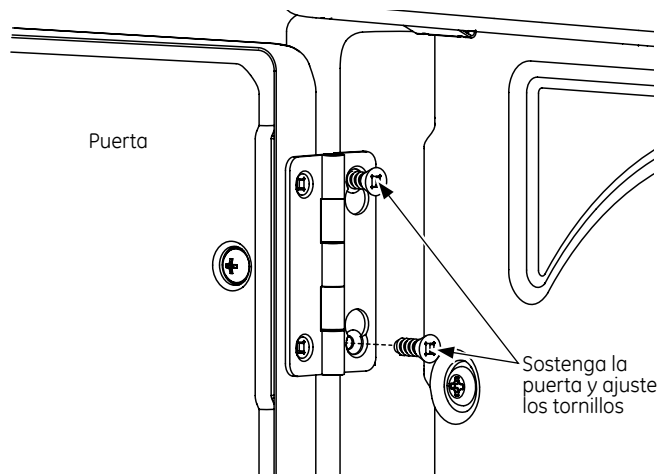
**D.** Presione las tapas protectoras en las aberturas de la puerta externa donde se encontraba instalada la manija.



**6** Con las tapas protectoras y la manija de la puerta colocada, vuelva a montar la puerta interna en la puerta externa con los tornillos retirados en el paso 4. Asegúrese de montar las bisagras sobre el lado opuesto a la manija.



**7** Monte la puerta sobre los 2 tornillos superiores del lado izquierdo, instalados en el paso 2. Mueva los tornillos de la bisagra aflojados en el paso 3 hacia los agujeros inferiores del lado izquierdo y apriete firmemente los cuatro tornillos.

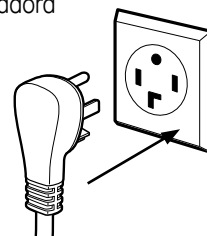


**8** Instale las cuatro tapas de plástico retiradas en el paso 1 en los 4 agujeros del panel frontal derecho.

**NOTA:** Para regresar la puerta a la configuración original, siga estas instrucciones, cambiando entre la "izquierda" y la "derecha".

**Al finalizar**

Vuelva a enchufar la secadora en la salida eléctrica.



## Ventilación de la secadora

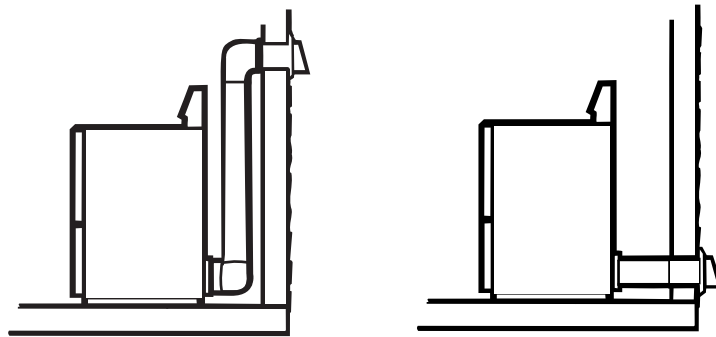
---

Para obtener el mejor desempeño, la secadora debe estar ventilada adecuadamente.

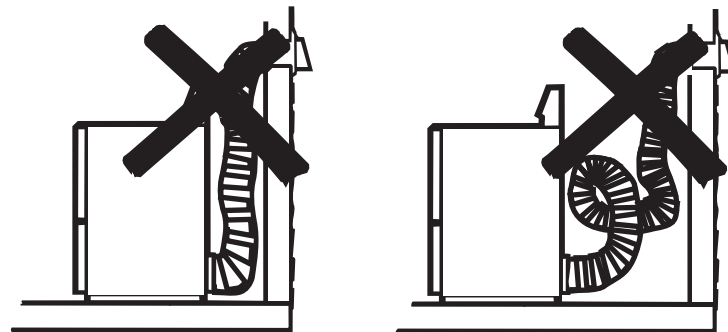
**La secadora utilizará más energía y funcionará más tiempo si no se ventila siguiendo las especificaciones indicadas más abajo. Siga cuidadosamente los detalles en la sección de Escape en las Instrucciones de instalación.**

- Utilice únicamente ducto de metal rígido de 4" de diámetro en el interior del gabinete de la secadora. Utilice únicamente ducto de metal rígido o ducto flexible de metal de 4" de diámetro con aprobación UL para ducto de ventilación hacia el exterior.
- No use ductos plásticos u otros ductos de materiales combustibles.
- Use la longitud más corta posible.
- No aplaste ni pliegue.
- Evite descansar el conducto sobre objetos filosos.
- **La ventilación debe cumplir con los códigos de construcción locales.**

*Ventilación correcta*



*Ventilación incorrecta*





Consejos para la solución de problemas

¡Ahorre tiempo y dinero! Consulte primero las tablas de las páginas siguientes o visite **GEAppliances.com** y quizás no necesite llamar al servicio.

Problema	Posible causa	Qué hacer
<b>La secadora no funciona</b>	La secadora está desenchufada	<ul style="list-style-type: none"> <li>Asegúrese de que el enchufe esté completamente colocado en el tomacorriente.</li> </ul>
	El Fusible Hogareño se quemó/ disyuntor desconectado	<ul style="list-style-type: none"> <li>Revise la caja de fusibles/disyuntores y reemplace el fusible o reconecte el disyuntor. <b>NOTA:</b> La mayoría de las secadoras eléctricas usan dos fusibles/disyuntores.</li> </ul>
	El fusible de la secadora se quemó	<ul style="list-style-type: none"> <li>El fusible simple (Gas) o uno de los dos fusibles (Eléctricos) en la parte trasera del tablero se quemaron debido a que la protección del circuito hogareño no funcionó. Solicite a un técnico calificado que controle el encendido del tomacorriente.</li> </ul>
<b>La secadora no calienta</b>	El Fusible Hogareño se quemó/ disyuntor desconectado; es posible que la secadora gire sin calentar	<ul style="list-style-type: none"> <li>Revise la caja de fusibles/disyuntores y reemplace ambos fusibles y reconecte ambos disyuntores. Es posible que la secadora gire si únicamente un fusible se ha quemado o un solo disyuntor ha saltado.</li> </ul>
	Se ha cortado el suministro de gas	<ul style="list-style-type: none"> <li>Asegúrese que la válvula de cierre en la secadora y la válvula maestra está completamente abierta.</li> </ul>
	No se ha seleccionado la temperatura	<ul style="list-style-type: none"> <li>Seleccione otro nivel de calor.</li> </ul>
<b>La secadora tiembla o produce ruido</b>	Un poco de temblor/ruido es normal. La secadora podría estar disnivelada	<ul style="list-style-type: none"> <li>Coloque la secadora en un lugar con piso nivelado, o ajuste las patas niveladoras según sea necesario hasta que esté nivelada.</li> </ul>
<b>Manchas de grasa en la ropa</b>	Uso inapropiado de suavizador de telas	<ul style="list-style-type: none"> <li>Siga las direcciones en el envase del suavizador de telas.</li> </ul>
	Secado de artículos sucios con limpios	<ul style="list-style-type: none"> <li>Utilice su secadora para secar únicamente artículos limpios. Los artículos sucios pueden manchar los artículos limpios y la secadora.</li> </ul>
	Las prendas no están completamente limpias	<ul style="list-style-type: none"> <li>Algunas manchas que no se pueden ver cuando las prendas están mojadas aparecen después del secado. Utilice procedimientos apropiados de lavado antes del secado.</li> </ul>
<b>Pelusa en las prendas</b>	El filtro de pelusa está lleno	<ul style="list-style-type: none"> <li>Limpie el filtro antes de cada carga.</li> </ul>
	Clasificación incorrecta	<ul style="list-style-type: none"> <li>Clasifique las prendas que producen pelusa (como felpilla) de las prendas que juntan pelusa (como la pana).</li> </ul>
	La electricidad estática puede atraer pelusa	<ul style="list-style-type: none"> <li>Consulte las sugerencias en esta sección bajo <b>Ocurre estática</b>.</li> </ul>
	Sobrecarga	<ul style="list-style-type: none"> <li>Separe las cargas más grandes en menor tamaño.</li> </ul>
	Papel, servilletas, etc., quedan dentro de los bolsillos de la ropa	<ul style="list-style-type: none"> <li>Vacíe todos los bolsillos antes de lavar la ropa.</li> </ul>
<b>Ocurre estática</b>	No se utilizó ningún tipo	<ul style="list-style-type: none"> <li>Intente utilizar un suavizador de telas.</li> <li>Bounce® Fabric Conditioner Dryer Sheets ha sido aprobado para ser usado con todas las Secadoras GE y cuando se usen de acuerdo con las instrucciones del fabricante.</li> </ul>
	Sobresecado	<ul style="list-style-type: none"> <li>Intente utilizar un suavizador de telas.</li> <li>Programa el ajuste a <b>Less Dry (Menos Seco)</b> o <b>Damp (Húmedo)</b>.</li> </ul>
	Artículos sintéticos, planchado permanente y combinaciones pueden causar estática	<ul style="list-style-type: none"> <li>Intente utilizar un suavizador de telas.</li> </ul>
<b>Plazos de secado inconsistentes</b>	Tipo de calor	<ul style="list-style-type: none"> <li>Los plazos de secado automático pueden variar según el tipo de calor utilizado (eléctrico, gas natural o LP), tamaño de la carga, tipos de telas, humedad de la ropa y la condición de los conductos de escape.</li> </ul>
<b>Se ha seleccionado el nivel de secado Dry (Seco) pero la carga aún se encuentra húmeda</b>	La carga consiste de una combinación de telas pesadas y livianas	<ul style="list-style-type: none"> <li>Cuando combine telas pesadas con livianas en una carga, escoja <b>More Dry (Más seco)</b>.</li> </ul>
	El sistema de escape está tapado	<ul style="list-style-type: none"> <li>Inspeccione y limpie el sistema de escape.</li> </ul>

## Antes de llamar para solicitar servicio...



Problema	Posible causa	Qué hacer
Secar las prendas toma demasiado tiempo	Clasificación incorrecta	<ul style="list-style-type: none"> <li>• Separe las prendas pesadas de las livianas (generalmente una carga de lavado bien clasificada es una carga de secado bien clasificada).</li> </ul>
	Cargas grandes de telas pesadas (como toallas de playa)	<ul style="list-style-type: none"> <li>• Las telas grandes y pesadas contienen más humedad y toman más tiempo para secar. Separe las telas grandes y pesadas en cargas de menor tamaño para agilizar el plazo de secado.</li> </ul>
	Los controles no están programados correctamente	<ul style="list-style-type: none"> <li>• Corresponde los ajustes de control a la carga que está secando.</li> </ul>
	El filtro de pelusa está lleno	<ul style="list-style-type: none"> <li>• Limpie el filtro de pelusa antes de cada carga.</li> </ul>
	Conductos inadecuados u obstruidos	<ul style="list-style-type: none"> <li>• Revise las instrucciones de instalación para sistemas de conductos/ventilación correctos.</li> <li>• Asegúrese de que los conductos estén limpios, libres de puntos de agarre y no estén obstruidos.</li> <li>• Revise observando que el regulador de pared exterior esté funcionando con facilidad.</li> <li>• Revise las Instrucciones de instalación para asegurar que el sistema de ventilación de la secadora es correcto.</li> </ul>
	Fusibles quemados/disyuntor desconectado	<ul style="list-style-type: none"> <li>• Reemplace los fusibles o reconecte los disyuntores. Secadoras eléctricas utilizan 2 fusibles/disyuntores, asegúrese de que ambos funcionen.</li> </ul>
	Sobrecarga/combinación de cargas	<ul style="list-style-type: none"> <li>• No coloque más de una carga de la lavadora en la secadora al mismo tiempo.</li> </ul>
Poca cantidad de carga	<ul style="list-style-type: none"> <li>• Si está secando solo una o dos prendas, añada varias para asegurar un giro apropiado.</li> </ul>	
Las prendas están arrugadas	Sobresecado	<ul style="list-style-type: none"> <li>• Seleccione un plazo de secado más breve.</li> <li>• Retire las prendas mientras están húmedas. Programe el ajuste a <b>Less Dry (Menos Seco)</b> o <b>Damp Dry (Secado Húmedo)</b>.</li> </ul>
	Las prendas permanecen en la secadora después que ha terminado el ciclo	<ul style="list-style-type: none"> <li>• Retire las prendas cuando finaliza el ciclo y doble o cuélguelas inmediatamente.</li> </ul>
	Sobrecarga	<ul style="list-style-type: none"> <li>• Separe las cargas más grandes en más pequeñas.</li> </ul>
Las prendas se encogen	Algunas telas se encogen de manera natural cuando se lavan. Otras pueden lavarse sin problemas, pero se encogerán en la secadora	<ul style="list-style-type: none"> <li>• Para evitar encoger las prendas, siga las instrucciones de las etiquetas exactamente.</li> <li>• Algunas prendas pueden plancharse nuevamente a su forma original después de secarlas.</li> <li>• Si tiene dudas sobre si una prenda en particular encogerá, no la lave a máquina ni la seque con giro.</li> </ul>
Se ve agua dentro de la puerta y sobre el filtro de pelusa cuando se abre la puerta después del ciclo de vapor	El vapor se condensa la puerta interna.	<ul style="list-style-type: none"> <li>• Esto es normal.</li> </ul>
Áreas pequeñas en prendas muestran humedad	Interior del tambor con humedad después del ciclo de vapor	<ul style="list-style-type: none"> <li>• Si esta utilizando el ciclo <b>Steam Dewrinkle</b>, manualmente <b>las</b> reduzca el tiempo del ciclo. Si esta utilizando el ciclo <b>Steam Refresh (Renovación por vapor)</b>, agregar prendas a la carga</li> </ul>
Los cuellos y pretinas aún se encuentran húmedos al final del ciclo	El monitor de sequedad detecta que el cuerpo de las prendas está seco	<ul style="list-style-type: none"> <li>• Escoja <b>Speed Dry (Secado Rápido)</b> o <b>Timed Dry (Secado por Tiempo)</b> para secar dejando húmedos los cuellos y pretinas. En el futuro, cuando seque una carga con cuellos y pretinas, escoja <b>More Dry (Más Seco)</b>.</li> </ul>

Problema	Posible causa	Qué hacer
Pequeña variación del color metálico.	Esto es normal.	<ul style="list-style-type: none"> <li>Debido a las propiedades metálicas de la pintura utilizada con este producto único, pueden ocurrir pequeñas variaciones de color debido ángulos de visualización y condiciones de iluminación.</li> </ul>
Hay una pequeña cantidad de agua sobre el piso frente a la secadora.	Tamaño de carga inadecuado para el ciclo de vapor seleccionado, el vapor excedente se condensa dentro del gabinete y se escapa.	<ul style="list-style-type: none"> <li>Si va a utilizar el ciclo <b>Steam Dewrinkle</b> (Estirar por vapor), reduzca manualmente el tiempo del ciclo. Si va a utilizar el ciclo <b>Steam Refresh</b> (Refrescar al Vapor), agregue más prendas a la carga</li> </ul>
Hay agua en el piso en la parte trasera de la secadora	La conexión de manguera de agua a la válvula se encuentra floja.	<ul style="list-style-type: none"> <li>Ajuste la conexión.</li> </ul>
	La manguera no cuenta con la arandela de goma en la conexión con la válvula.	<ul style="list-style-type: none"> <li>Instale la arandela de goma provista con la manguera.</li> </ul>
Cae agua de la puerta cuando se la abre después de un ciclo de vapor.	El vapor se condensa en la puerta interna.	<ul style="list-style-type: none"> <li>Esto es normal.</li> </ul>
No puede verse vapor al comienzo del ciclo	El vapor se libera en un momento diferente en el ciclo.	<ul style="list-style-type: none"> <li>Esto es normal.</li> </ul>
No se ve vapor en ningún momento durante el ciclo	La boquilla de vapor puede estar bloqueada con suciedad proveniente del suministro de agua	<ul style="list-style-type: none"> <li>Llame al <b>800.GE.CARES</b> para solicitar el kit de reemplazo de boquilla <b>WE25M71</b> o para solicitar un técnico que lo reemplace por usted.</li> </ul>
Las prendas siguen arrugadas después de ciclo de vapor	Demasiadas prendas.	<ul style="list-style-type: none"> <li>Cargue menos prendas; incremente el tiempo manualmente.</li> </ul>
Prendas mojadas o húmedas, después del ciclo Steam (vapor) ropa infantil	Filtro de pelusa no esta limpio	<ul style="list-style-type: none"> <li>Limpia el filtro de pelusa</li> </ul>
	Las prendas de la carga son	<ul style="list-style-type: none"> <li>Utilizar el ciclo de <b>Steam Refresh</b> (Refrescar al Vapor).</li> </ul>
No aparecen números en la pantalla durante el ciclo, sólo luces	La secadora monitorea constantemente la cantidad de humedad en la ropa	<ul style="list-style-type: none"> <li>Esto es normal. Cuando la secadora detecta un nivel bajo de humedad en la carga, la secadora mostrará el tiempo restante de secado.</li> </ul>
El tiempo restante ha saltado a un número inferior	El tiempo estimado podría cambiar si seca una carga menor a la normal	<ul style="list-style-type: none"> <li>Esto es normal.</li> </ul>
La secadora se encuentra funcionando, pero el tiempo restante muestra 000	Se ha escogido la opción Extend Tumble (Secado Extendido)/Steam Refresh (Refrescar al Vapor)	<ul style="list-style-type: none"> <li>Esto es normal. Durante el secado prolongado no se muestra el tiempo restante. La opción de secado prolongado tarda 60 minutos aproximadamente.</li> </ul>
Las prendas aún se encuentran húmedas y la secadora se apaga después de un tiempo corto	Se abrió la puerta a la mitad del ciclo. Luego se procedió a retirar la carga de la secadora y se colocó una carga nueva sin seleccionar un ciclo nuevo	<ul style="list-style-type: none"> <li>Se debe volver a seleccionar un ciclo de secado cada vez que se coloca una carga nueva.</li> </ul>
	Carga pequeña	<ul style="list-style-type: none"> <li>Cuando seque 3 o menos prendas, escoja <b>Speed Dry</b> (Secado Rápido) o <b>Timed Dry</b> (Secado por Tiempo).</li> </ul>
	La carga ya se encontraba seca a excepción de los cuellos y pretinas	<ul style="list-style-type: none"> <li>Escoja <b>Speed Dry</b> (Secado Rápido) o <b>Timed Dry</b> (Secado por Tiempo) para secar los cuellos y pretinas que estén húmedos. En el futuro, al seca una carga que contenga cuellos y pretinas, escoja <b>More Dry</b> (Más Seco).</li> </ul>
La secadora no está nivelada	La secadora no está nivelada	<ul style="list-style-type: none"> <li>Mueva la secadora a un área con piso nivelado o ajuste las patas niveladoras como sea necesario hasta que se encuentre nivelada.</li> </ul>
La secadora se apaga	Una carga muy pequeña (con por ejemplo una prenda) no activa el sensor de secado	<ul style="list-style-type: none"> <li>Use la opción del ciclo <b>Timed Dry</b> (Secado por Tiempo); seleccione el tiempo de secado deseado.</li> </ul>

**Notes.**

---

# Garantía de la secadora GE.

GEAppliances.com



Todos los servicios de garantía se ofrecen a través de nuestros centros de asistencia técnica o un técnico autorizado de Customer Care®. Para programar servicio de asistencia técnica, en línea y las 24 horas, visite la página **GEAppliances.com** o llame al 800. **GE.CARES** (1.800.432.2737). Cuando llame para solicitar servicio, por favor tenga a mano el número de serie y el número de modelo.

Engrape el recibo aquí.  
Se necesita el comprobante con la fecha de compra original para que la garantía cubra los servicios.

## Por el período de: GE reemplazará:

### Un año

De la fecha de la compra original

**Cualquier parte** de la secadora que falle debido a defectos en los materiales o en la fabricación. Durante esta **garantía limitada de un año**, GE también proporcionará, **sin costo alguno**, toda la mano de obra y servicios relacionados con el reemplazo de las partes defectuosas.

### Segundo año

De la fecha de la compra original

**Cualquier parte** de la secadora que falle debido a defectos en los materiales o en la fabricación. Durante esto **año adicional de garantía limitada**, usted será responsable de cualquier gasto de mano de obra o costos relacionados con el servicio.

### Del segundo al quinto año

De la fecha de la compra original

**El tambor giratorio extra grande o el tambor de la secadora de super capacidad y el panel de control principal electrónico**, si alguna de estas partes llegan a fallar debido a defectos en los materiales o en la fabricación. Durante estos **cuatro años adicionales de garantía limitada**, usted será responsable de cualquier gasto de mano de obra o costos relacionados con el servicio.

## Lo que no está cubierto:

- Viajes del personal de servicio a su casa para enseñarle cómo usar su producto.
- Instalación, entrega o mantenimiento inapropiada.
- Fallas del producto si es maltratado, mal usado, o usado para un propósito diferente del que se creó o si es usado para usos comerciales.
- Cambio de los fusibles de su casa o reajuste del circuito de interruptores.
- Daños al producto causados por accidentes, incendios, inundaciones o actos de la naturaleza.
- Daños imprevistos resultantes causados por posibles defectos con este electrodoméstico.
- Daños causados después del envío.
- Producto no accesible para facilitar el servicio requerido.
- Defectos o danos causados por la operación en temperaturas bajo cero C.
- Productos que no están defectuosos o dañados o que funcionan según la descripción del Manual del usuario.

**EXCLUSIÓN DE GARANTÍAS IMPLÍCITAS—Su único y exclusivo derecho es la reparación del producto, tal y como se indica en esta Garantía limitada. Cualquier garantía implícita, incluyendo las garantías implícitas de comerciabilidad o adecuación para un fin determinado, están limitadas a un año o el período de tiempo más breve permitido por la ley.**

Esta garantía se extiende al comprador original y a cualquier propietario subsecuente para productos comprados para uso doméstico dentro Estados Unidos. Si el producto está situado en un área que no dispone de servicio por parte de un proveedor de servicio autorizado de GE, podría tener que hacerse cargo de los costes de envío o bien podría solicitarse que lleve el producto a un centro de servicio de GE autorizado para realizar la reparación. En Alaska, la garantía excluye el costo de envío o las visitas de servicio a su casa.

Algunos estados no permiten la exclusión o limitación de daños imprevistos. Esta garantía le da sus derechos legales específicos, y es posible que usted tenga otros derechos legales que varían de estado a estado. Para informarse de cuáles son sus derechos legales, consulte a su oficina de asuntos del consumidor local o estatal o póngase en contacto con la Oficina de su Procurador General.

Garante: General Electric Company. Louisville, KY 40225

## Soporte al consumidor.

---



### *Página Web de GE Appliances*

**GEAppliances.com**

¿Tiene alguna pregunta sobre su electrodoméstico? ¡Pruebe la página Web de GE Appliances 24 horas al día, cualquier día del año! Para mayor conveniencia y servicio más rápido, ya puede descargar los Manuales de los Propietarios, pedir piezas o incluso hacer una cita en línea para que vengan a realizar una reparación.



### *Solicite una reparación*

**GEAppliances.com**

El servicio de expertos GE está a tan sólo un paso de su puerta. ¡Entre en línea y solicite su reparación cuando le venga bien 24 horas al día cualquier día del año! O llame al **800.GE.CARES** (800.432.2737) durante horas normales de oficina.



### *Real Life Design Studio (Estudio de diseño para la vida real)* **GEAppliances.com**

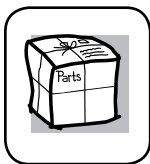
GE apoya el concepto de Diseño Universal—productos, servicios y ambientes que pueden usar gente de todas las edades, tamaños y capacidades. Reconocemos la necesidad de diseñar para una gran gama de habilidades y dificultades físicas y mentales. Para más detalles sobre las aplicaciones de GE Diseño Universal, incluyendo ideas de diseño para la cocina para personas con discapacidades, mire nuestra página Web hoy mismo. Para personas con dificultades auditivas, favor de llamar al **800.TDD.GEAC** (800.833.4322).



### *Garantías ampliadas*

**GEAppliances.com**

Compre una garantía ampliada y obtenga detalles sobre descuentos especiales disponibles mientras su garantía está aún activa. Puede comprarla en línea en cualquier momento, o llamar al **800.626.2224** durante horas normales de oficina. GE Consumer Home Services estará aún ahí cuando su garantía termine.

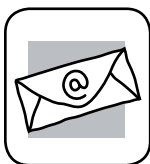


### *Piezas y accesorios*

**GEApplianceparts.com**

Aquellos individuos con la calificación necesaria para reparar sus propios electrodomésticos pueden pedir que se les manden las piezas o accesorios directamente a sus hogares (aceptamos las tarjetas VISA, MasterCard y Discover). Haga su pedido en línea hoy, 24 horas cada día o llamar por teléfono al **800.626.2002** durante horas normales de oficina.

**Las instrucciones descritas en este manual cubren los procedimientos a seguir por cualquier usuario. Cualquier otra reparación debería, por regla general, referirse a personal calificado autorizado. Debe ejercerse precaución ya que las reparaciones incorrectas pueden causar condiciones de funcionamiento inseguras.**



### *Póngase en contacto con nosotros*

**GEAppliances.com**

Si no está satisfecho con el servicio que recibe de GE, póngase en contacto con nosotros en nuestra página Web indicando todos los detalles así como su número de teléfono o escribanos a:

General Manager, Customer Relations  
GE Appliances, Appliance Park  
Louisville, KY 40225



### *Registre su electrodoméstico*

**GEAppliances.com**

**¡Registre su nuevo electrodoméstico en línea—cuando usted prefiera!** El registrar su producto a tiempo le proporcionará, si surgiera la necesidad, una mejor comunicación y un servicio más rápido bajo los términos de su garantía. También puede enviar su tarjeta de registro pre-impresa que se incluye en el material de embalaje.