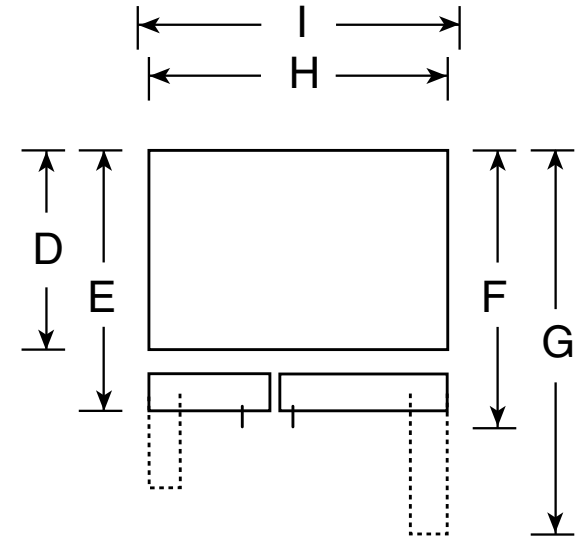
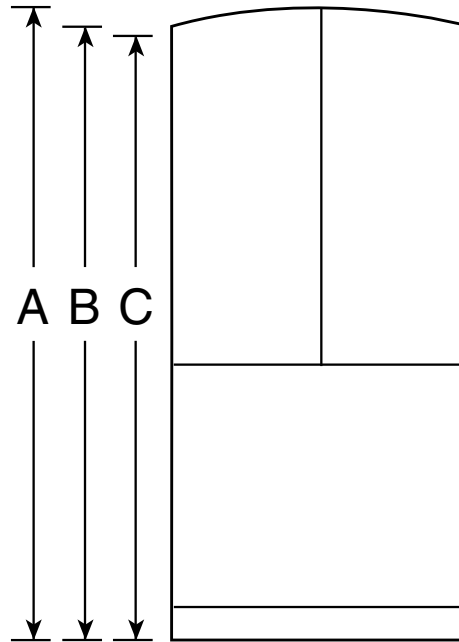


GNE26GGD

GE® ENERGY STAR® 26.3 Cu. Ft. French-Door Refrigerator

Dimensions and Installation Information (in inches)

Overall Dimensions	Height to top of crown (in.) A	70-1/2
	Height to top of hinge (in.) B	69-7/8
	Height to top of case (in.) C	69
	Case depth without door (in.) D	29-3/8
	Case depth less door handle (in.) E	33-3/4
	Case depth with door handle (in.) F	36-1/4
	Depth with fresh food door open 90° (in.) G	48-3/8
	Width (in.) H	35-3/4
	Width with door open 90° inc. door handle (in.) I	44-5/8
Air	Each side (in.)	1/8
	Top (in.)	1
	Back (in.)	2



For answers to your Monogram®, Cafe™ Series, Profile™ Series or GE® appliance questions, visit our website at geappliances.com or call GE Answer Center® service, 800.626.2000.



imagination at work



Listed by
Underwriters
Laboratories



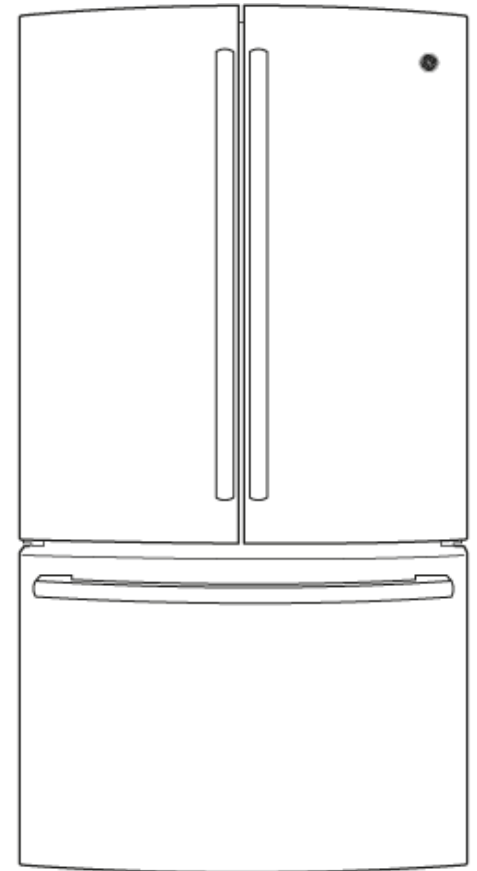
As an ENERGY STAR® partner, GE has determined that this product meets the ENERGY STAR guidelines for energy efficiency.

GNE26GGD

GE® ENERGY STAR® 26.3 Cu. Ft. French-Door Refrigerator

Features and Benefits

- High-gloss doors with hidden hinges - Offer designer style with the seamless look of concealed hinges
- Internal controls with actual-temperature display - Eliminate the guesswork of temperature setting with actual degrees displayed digitally
- TwinChill™ evaporators - Separate climates in the fresh food and freezer sections help maintain temperature and humidity levels to keep foods fresh
- Advanced filtration system - GE's exclusive filtration system removes trace pharmaceuticals from water and ice
- Showcase LED lighting - Positioned throughout the interior and under fresh food doors to spotlight foods inside the refrigerator and in the freezer
- Space-saving icemaker - Located on the door with integrated bins to create more usable storage space
- Quick Space shelf - Functions as a normal full-sized shelf when needed and easily slides down for instant storage flexibility
- Adjustable spillproof glass shelves - Hold up to 12 oz. of spilled liquids for easy cleanup and adjust to provide additional food-storage options
- Full-width adjustable temperature-controlled drawer - 5 accurate settings deliver the optimal temperature for your favorite foods
- Model GNE26GGDWW - White
- Model GNE26GGDBB - Black



imagination at work



As an ENERGY STAR® partner, GE has determined that this product meets the ENERGY STAR guidelines for energy efficiency.