

# GSD4000/4060D

## GE® Standard Tub Dishwasher with Electronic Controls

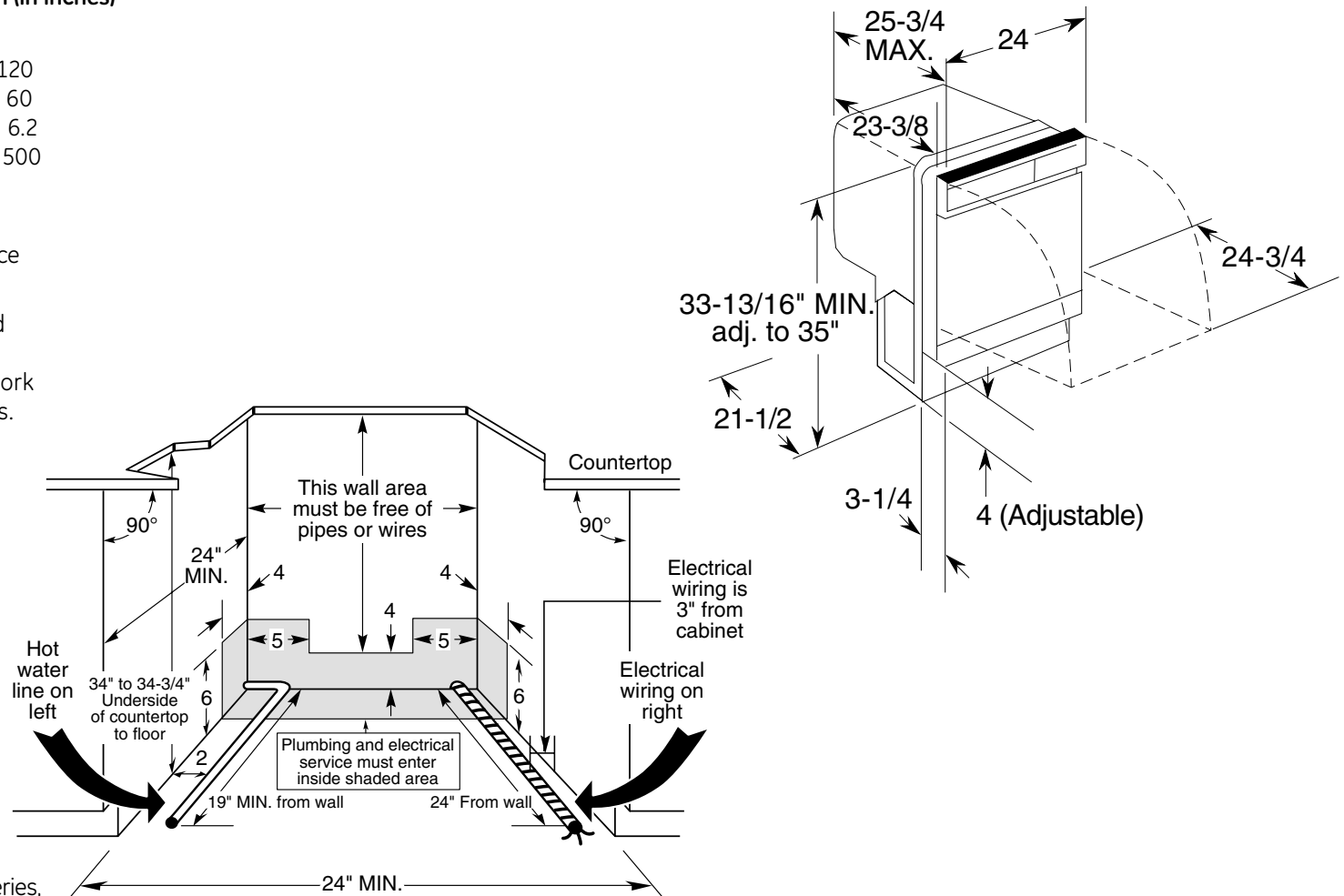
### Dimensions and Installation Information (in inches)

#### Electrical Rating

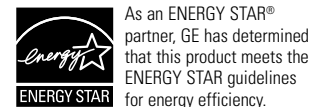
Voltage AC.....	120
Hertz.....	60
Total connected load amperage.....	6.2
Calrod® heater watts max.....	500

For use on adequately wired 120-volt, 15-amp circuit having 2-wire service with a separate ground wire. This appliance must be grounded for safe operation.

**Note:** Dishwasher must not be installed more than 10 feet from sink for proper drainage. All plumbing and electrical work must be in accordance with local codes.



For answers to your Monogram® Cafe™ Series, Profile™ Series or GE® appliance questions, visit our website at [geappliances.com](http://geappliances.com) or call GE Answer Center® service, 800.626.2000.

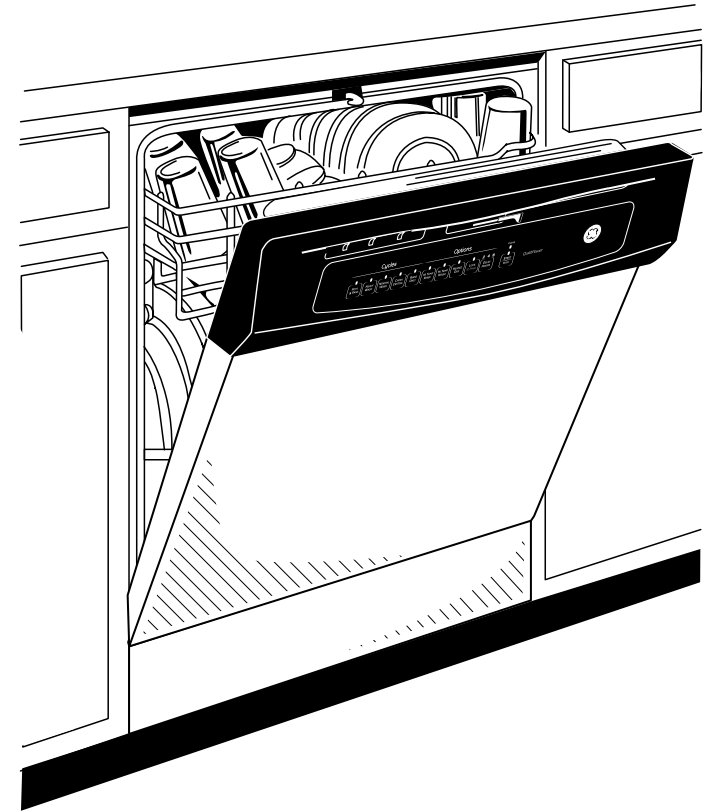


# GSD4000/4060D

## GE® Standard Tub Dishwasher with Electronic Controls

### Features and Benefits

- 5-level wash system - Powerful wash cleans dishes thoroughly
- Two-stage filtration with Extra Fine filter - Extra filtration keeps water clean
- Piranha™ hard-food disposer - Grinds food into small particles that are washed away
- Hot Start option - Provides optimal water temperature for dependable performance
- Electronic controls - Controls are easy to read and easy to use
- 2/4/8-hour Delay Start - Wash dishes at your convenience
- Control lock - Helps protect against accidental activation
- China/ Crystal cycle - Cleans and protects delicate dishware
- Audible end-of-cycle signal - Alert signals when cycle is complete
- Model GSD4000DWW - White on white
- Model GSD4000DBB - Black on black
- Model GSD4060DSS - Stainless steel



imagination at work