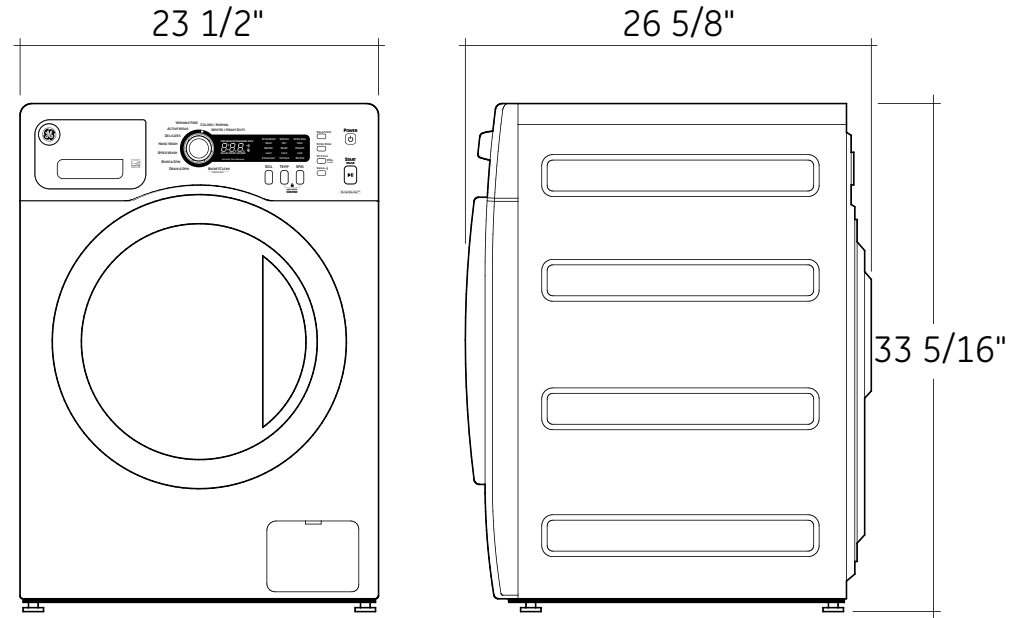


# WCVH4800K/4815K

## GE® 2.2 DOE Cu. Ft. Capacity Frontload Washer with Stainless Steel Basket

### Dimensions and Installation Information (in inches)

**Installation Information:** For complete information, see installation instructions packed with your washer.



For answers to your Monogram®, GE Profile™ or GE® appliance questions, visit our website at [geappliances.com](http://geappliances.com) or call GE Answer Center® service, 800.626.2000.



imagination at work



Listed by  
Underwriters  
Laboratories

# WCVH4800K/4815K

## GE® 2.2 DOE Cu. Ft. Capacity Frontload Washer with Stainless Steel Basket

### Special Installation Requirements:

- Drain hose extension part number WH41X10082 (sold separately)

### Stacked Installation:

- Kit for stacking dryer over washer are is not included with the washer.  
Order part no. GE24STACK.

### Alcove or Closet Installation:

- If your dryer is approved for installation in an alcove or closet, it will be stated on a label on the dryer back.
- The dryer MUST be exhausted to the outside with the exception of the condensing dryer.
- Minimum clearances between dryer cabinet and adjacent walls or other surfaces are: 0" either side, 3" front and rear
- Minimum vertical space from floor to overhead cabinets, ceilings, etc. is 52".
- Closet doors must be louvered or otherwise ventilated and must contain a minimum of 60 sq. in. of open area equally distributed. If this closet contains both a washer and a dryer, doors must contain a minimum of 120 sq. in. of open area equally distributed.
- No other fuel-burning appliance shall be installed in the same closet with a gas dryer.

### Bathroom or Bedroom Installation:

- The dryer MUST be exhausted to the outdoors with the exception of the condensing dryer.
- The installation must conform with the local codes, or in the absence of local codes, with the National Electric Code and National Fuel Gas Code, ANSI Z223 for gas dryers.

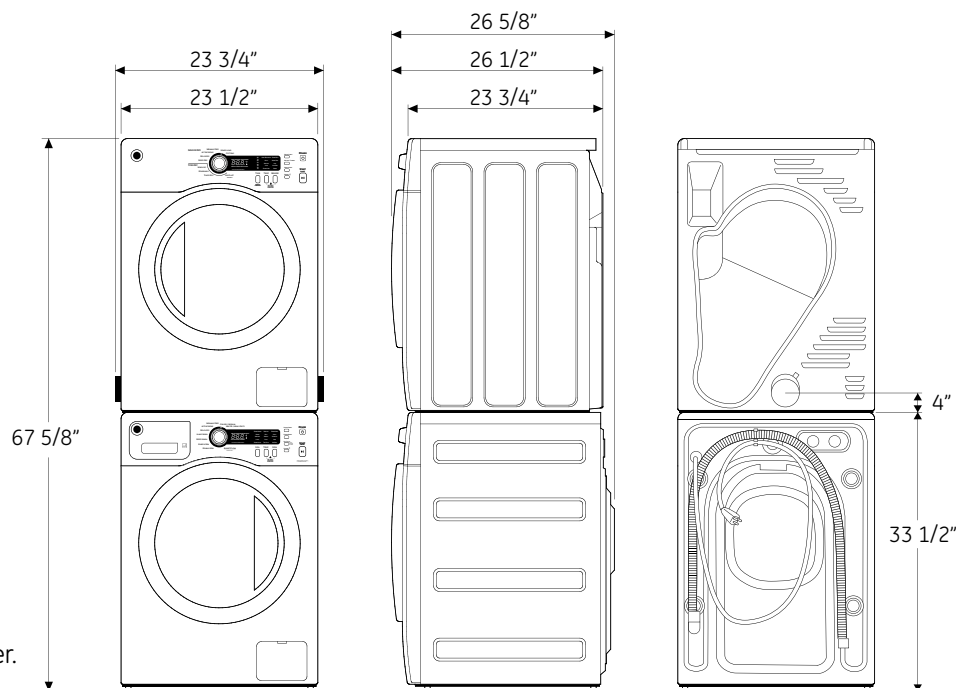
### Minimum Clearance other than Alcove or Closet Installations:

- Minimum clearances to combustible surfaces 0" both sides, 3" rear.

For more information on venting kits and accessories, please call 1-800-GE-CARES.

For answers to your Monogram®, GE Profile™ or GE® appliance questions, visit our website at [geappliances.com](http://geappliances.com) or call GE Answer Center® service, 800.626.2000.

### Stacked Dimensions (in inches)



imagination at work



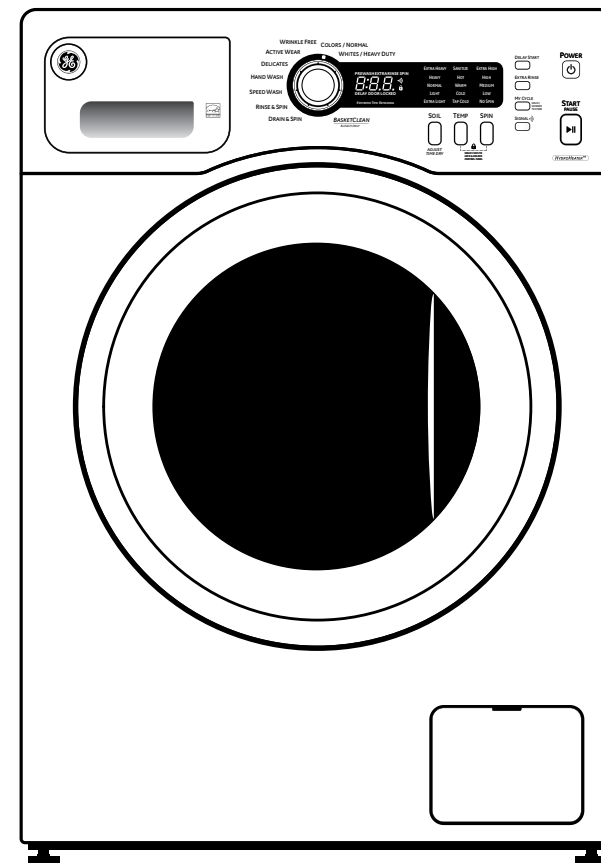
Listed by  
Underwriters  
Laboratories

# WCVH4800K/4815K

## GE® 2.2 DOE Cu. Ft. Capacity Frontload Washer with Stainless Steel Basket

### Features and Benefits

- ENERGY STAR® Qualified - Meets or exceeds federal guidelines for energy efficiency for year-round energy and money savings
- HydroMotion™ Wash Action - Reversing wash action offers great cleaning performance with gentle wash motion
- HydroHeater™ - Increases wash temperature to reduce bacteria and provide better cleaning for the really tough stains
- 5 Wash/Spin Speed Combinations - Washer alternates speeds for great clothes care
- Multiple Wash Cycles - Choose from various wash actions for optimal cleaning and clothes care
- 5 Wash/Rinse Temperatures with Sanitize - Multiple settings and a Sanitize wash offer a greater degree of control over fabric cleaning and care
- Automatic Water Levels - Reduce water waste per cycle by filling only enough water to match the load size
- Delay Start Up To 18 Hours - Set the washer or dryer to begin cycles anytime in the next 18 hours
- ADA Compliant
- Model WCVH4800KWW - White on white
- Model WCVH4815KMS - Metallic Silver



Modified Energy Factor (MEF)	2.30
Water Factor (WF)	4.33

