

Installation Instructions

Unitized Gas Washer/Dryer



Questions on Installation? Call: 1-800-GEARES (US) or Visit our Web site at: www.GEAppliances.com (US).
In Canada, call 800-561-3344 or visit www.GEAppliances.ca

BEFORE YOU BEGIN

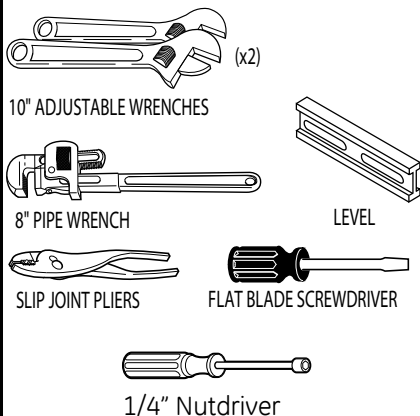
Read these instructions completely and carefully.

- **IMPORTANT-** Save these instructions for local inspector's use.
- **IMPORTANT-** Observe all governing codes and ordinances.
- **Note to Installer** - Be sure to leave these instructions with the customer.
- **Note to Customer** - Keep these instructions with your Use and Care Book for future reference.
- Before the appliance is removed from service or discarded, remove the washer and dryer door.
- Inspect the dryer exhaust outlet and straighten the outlet walls if they are bent.
- Service information and the wiring diagram are located at the access panel.
- Do not allow children on or in the appliance. Close supervision of children is necessary when the appliance is used near children.
- Install the dryer where the temperature is above 50°F (10°C) for satisfactory operation of the dryer control system.

⚠ WARNING RISK OF FIRE

- To reduce the risk of severe injury or death, follow all installation instructions.
- Appliance installation must be performed by a qualified installer.
- Install the clothes appliance according to these instructions and in accordance with local codes. In the absence of local codes, installation must comply with National Fuel Gas Code, ANSI Z223.1/NFPA 54 or the Canadian Natural Gas and Propane Installation Code, CSA B149.1.
- *California Safe Drinking Water and Toxic Enforcement Act.*
This act requires the governor of California to publish a list of substances known to the state to cause cancer, birth defects or other reproductive harm and requires businesses to warn customers of potential exposure to such substances. Gas appliances can cause minor exposure to four of these substances, namely benzene, carbon monoxide, formaldehyde and soot, caused primarily by the incomplete combustion of natural gas or LP fuels. Properly adjusted dryers will minimize incomplete combustion. Exposure to these substances can be minimized further by properly venting the dryer to the outdoors.
- This appliance must be exhausted to the outdoors.
- Use only 4" rigid metal ducting for exhausting the appliance to the outdoors.
- **DO NOT** install a clothes dryer with flexible plastic ducting materials. If flexible metal (semi-rigid or foil-type) duct is installed, it must be UL listed and installed in accordance with the instructions found in "Connecting The Dryer To House Vent" on page 8 of this manual. Flexible venting materials are known to collapse, be easily crushed, and trap lint. These conditions will obstruct dryer airflow and increase the risk of fire.
- Do not install or store this appliance in any location where it could be exposed to water and or weather.
- Save these instructions. (Installers: Be sure to leave these instructions with the customer).

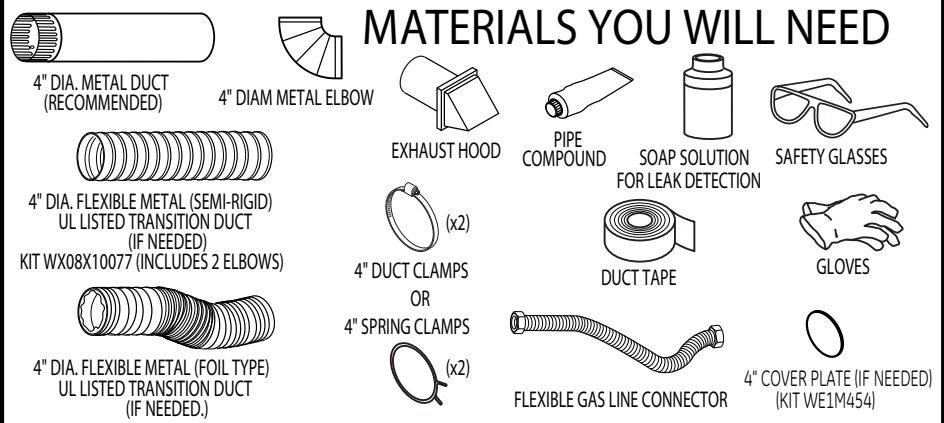
TOOLS YOU WILL NEED



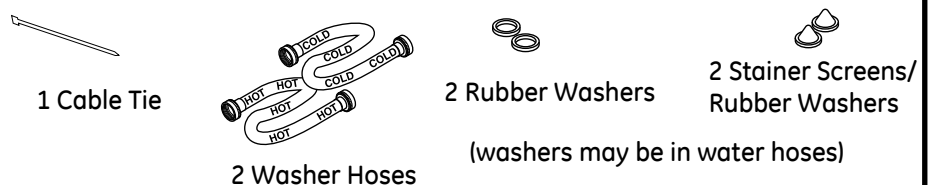
In the state of Massachusetts:

- Installation must be performed by a qualified or licensed contractor, plumber, or gasfitter qualified or licensed by the state.
- When using ball-type gas shut-off valves, they shall be T-handle type.
- A flexible gas connector, when used, must not exceed 3 feet.

MATERIALS YOU WILL NEED



PARTS SUPPLIED



Installation Instructions

INSTALLATION REQUIREMENTS LOCATION

This appliance must be installed on firm flooring to minimize vibration during spin cycle. Concrete flooring is best, but wood base is sufficient, provided floor support meets FHA standards. This appliance should not be installed on rugs or exposed to weather.

PLUMBING

WATER PRESSURE - Must be 20 psi minimum to 120 psi maximum.

WATER TEMPERATURE - Household water heater should be set to deliver water at 120° to 150°F (50° to 66°C) IN THE WASHER when hot wash is selected.

SHUTOFF VALVES - Both hot and cold shutoff valves (faucets) should be supplied.

DRAIN - Water may be drained into standpipe or set tub. Discharge height **MUST NOT BE LESS THAN 30 INCHES**, and no more than 6 feet above the base of the washer. Standpipe must be 1-1/2 inches minimum inside diameter and must be open to atmosphere.

ELECTRICAL REQUIREMENTS

CAUTION: Before plugging in washer, read the following electrical requirements.

CAUTION: For personal safety, do not use an extension cord or adapter plug with this appliance. Do not, under any circumstances, cut or remove the third grounding prong from the power cord. Follow national electrical codes and ordinances. This appliance must be supplied with the voltage and frequency indicated on the rating plate (located at the top of the dryer front panel), and connected to an individual, properly grounded branch circuit, protected by a 15- or 20-amp circuit breaker or time-delay fuse. If the electric supply provided does not meet the above requirements, call a licensed electrician.

- Step 1 Verify Your Gas Installation (see section 2).
- Step 2 Prepare the Area and Exhaust for Installation of appliance (see section 1).
- Step 3 Check and Insure the Existing External Exhaust is Clean (see section 1) and Meets Attached Installation Specifications (see section 6).
- Step 4 Remove the Foam Shipping Pads (see section 1).
- Step 5 Move the appliance to the Desired Location.
- Step 6 Level your appliance (see section 8).
- Step 7 Connect the Gas Supply (see section 3) and check for leaks (see section 4).
- Step 8 Connect the External Exhaust (see section 7).
- Step 9 Connect to plumbing facilities (see section 11).

- Step 10 Connect the Power Supply (see section 5).
- Step 11 Check the Operation of the Power Supply, Gas Connections, and Venting.
- Step 12 Place the Owners Manual and the Installation Instructions in a Location Where They Will Be Noticed By the Owner.

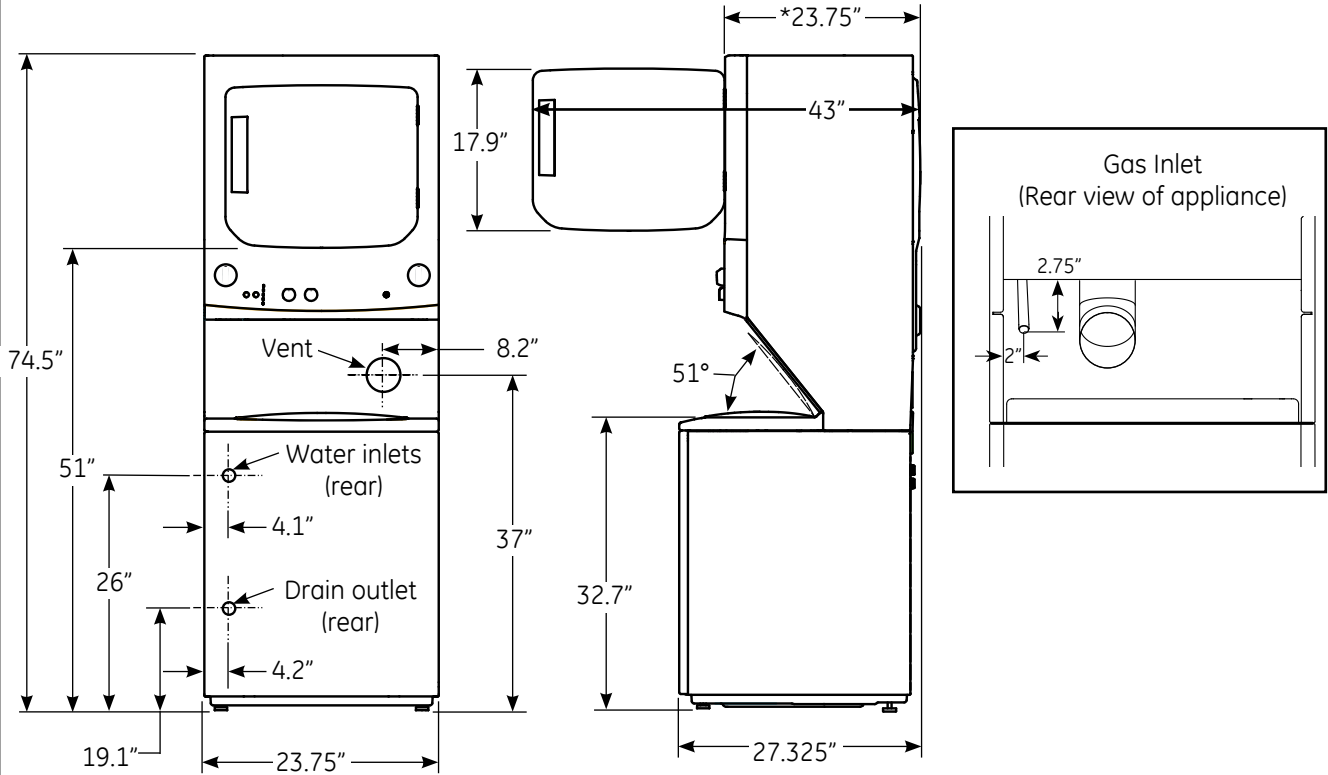
For Alcove or Closet Installation see section 13.
For Bathroom or Bedroom Installation see section 14.
For Mobile or Manufactured Home see section 12.

ADJUSTING FOR ELEVATION

- Gas clothes dryers input ratings are based on sea level operation and need not be adjusted for operation at or below 2000 ft. elevation.
For operation at elevations above 2000 ft., input ratings should be reduced at a rate of 4 percent for each 1000 ft. above sea level.
- Installation must conform to local codes and ordinances or, in their absence, the NATIONAL FUEL GAS CODE, ANSI Z223.

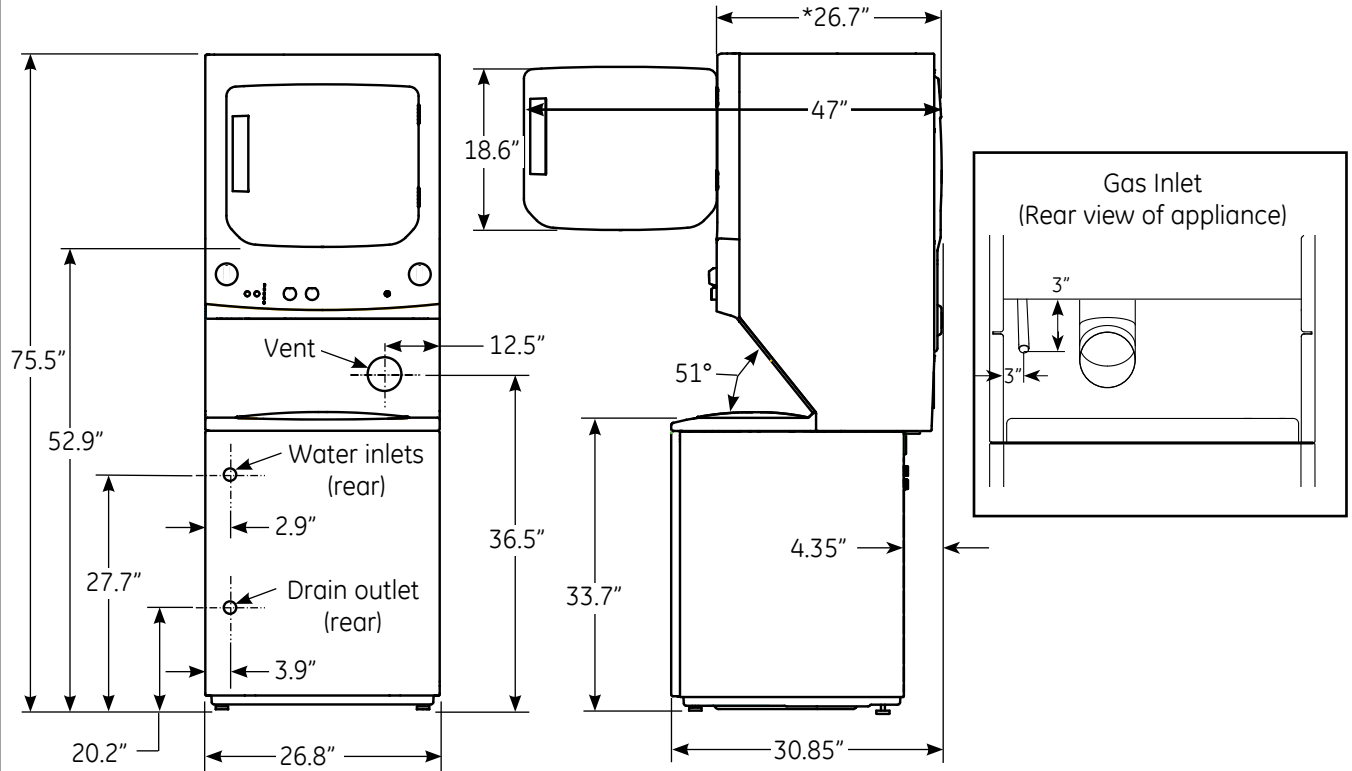
Installation Instructions

24" NOMINAL PRODUCT DIMENSIONS



* Dimension represents door closed including handle and knobs.
NOTE: With feet set at mid position, feet can be adjusted ± 0.375 ".

27" NOMINAL PRODUCT DIMENSIONS



* Dimension represents door closed including handle and knobs.
NOTE: With feet set at mid position, feet can be adjusted ± 0.375 ".

Installation Instructions

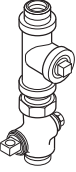
Minimum Clearance Other Than Alcove or Closet Installation

Minimum clearance to combustible surfaces and for air opening are: 0 in. clearance both sides and rear. Consideration **must** be given to provide adequate clearance for installation and service.

1 PREPARING FOR INSTALLATION OF NEW APPLIANCE

DISCONNECTING GAS

TURN GAS SHUT-OFF VALVE TO THE OFF POSITION.



DISCONNECT AND DISCARD OLD FLEXIBLE GAS CONNECTOR AND OLD TRANSITION DUCTING MATERIAL. REPLACE WITH NEW CSA(AGA) APPROVED FLEXIBLE GAS LINE CONNECTOR AND UL APPROVED TRANSITION DUCT.

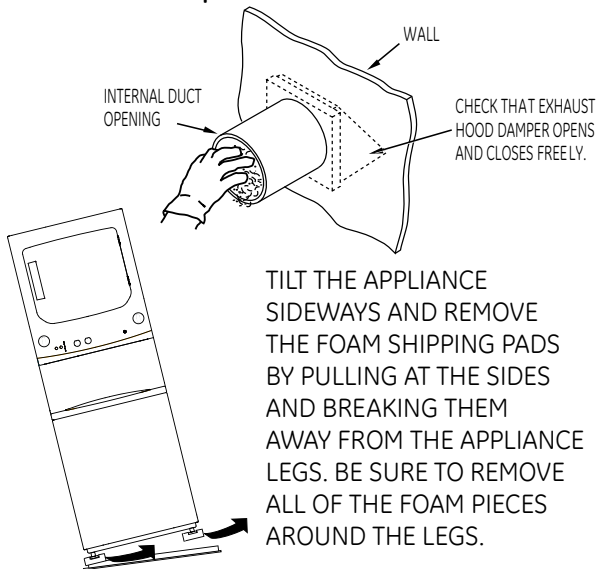


⚠ WARNING - NEVER REUSE OLD FLEXIBLE CONNECTORS.

The use of old flexible connectors can cause leaks and personal injury. Always use new flexible connectors when installing gas appliances.

REMOVING LINT FROM WALL EXHAUST OPENING

- Remove and discard existing plastic or metal foil transition duct and replace with UL listed transition duct.



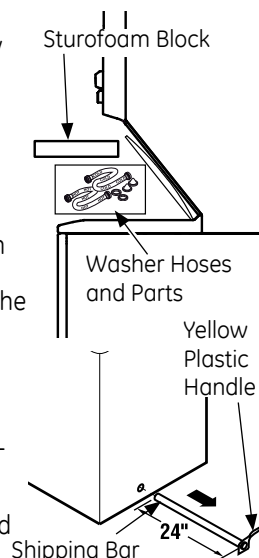
TILT THE APPLIANCE SIDWAYS AND REMOVE THE FOAM SHIPPING PADS BY PULLING AT THE SIDES AND BREAKING THEM AWAY FROM THE APPLIANCE LEGS. BE SURE TO REMOVE ALL OF THE FOAM PIECES AROUND THE LEGS.

After the machine is in the home, remove remaining packing material/ carton from washer.

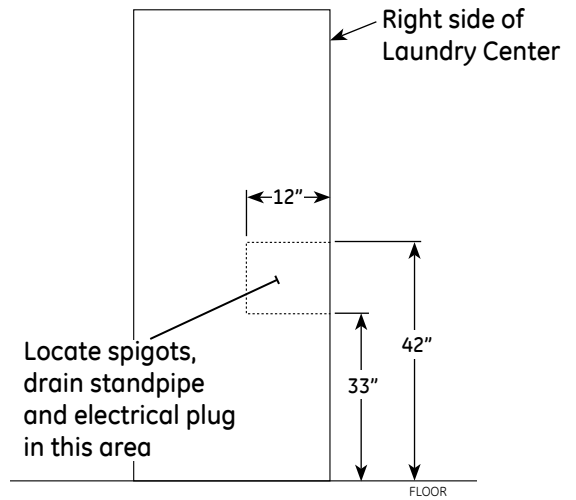
DO NOT REMOVE SHIPPING ROD AT THIS TIME.

Remove styrofoam block. Remove the bag containing the Washer hoses and parts from tub. Put styrofoam block back in tub opening to hold tub in place during the rest of installation.

Move washer close to final position. Make sure there is at least a 24" clearance on right side of washer to remove shipping bar. PULL SHIPPING BAR OUT USING YELLOW PLASTIC HANDLE. Keep bar so it can be reinstalled if washer is ever moved again.



NEW HOME OR REMODELING FAUCETS/ DRAIN STANDPIPE/ELECTRICAL LOCATION

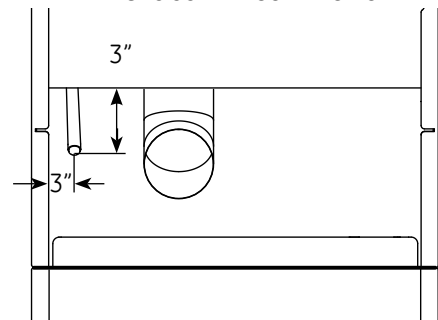


2 GAS REQUIREMENTS

⚠ WARNING

- Installation must conform to local codes and ordinances, or in their absence, the NATIONAL FUEL GAS CODE, ANSI Z223.
- This gas dryer is equipped with a Valve & Burner Assembly for use only with natural gas. Using conversion kit WE25M73 for 24" Models or WE25M74 for 27" Models, your local service organization can convert this dryer for use with propane (LP) gas. ALL CONVERSIONS MUST BE MADE BY PROPERLY TRAINED AND QUALIFIED PERSONNEL AND IN ACCORDANCE WITH LOCAL CODES AND ORDINANCE REQUIREMENTS.
- The appliance must be disconnected from the gas supply piping system during any pressure testing of that system at a test pressure in excess of 0.5 PSI (3.4 KPa).
- The appliance must be isolated from the gas supply piping system by closing the equipment shut-off valve during any pressure testing of the gas supply piping of test pressure equal to or less than 0.5 PSI (3.4 KPa).

27" GAS SUPPLY CONNECTION



Note: 24" Gas supply connection has a flexible hose thus dimensions will vary.

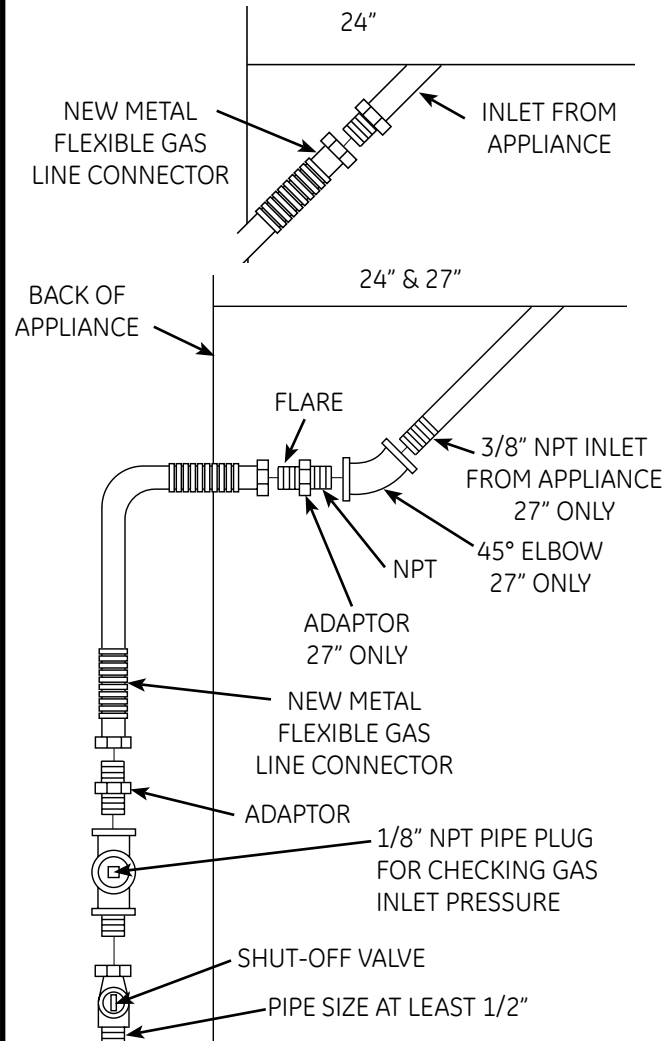
Installation Instructions

GAS SUPPLY

- A 1/8-in. National Pipe Taper thread plugged tapping, accessible for test gauge connection, must be installed immediately upstream of the gas supply connection to the dryer. Contact your local gas utility should you have questions on the installation of the plugged tapping.
- Supply line is to be 1/2-in. rigid pipe and equipped with an accessible shut-off within 6 ft. of, and in the same room with the dryer.
- Use pipe thread sealer compound or Teflon tape appropriate for natural or LP gas.
- You must use with this dryer a flexible metal connector listed ANSI Z21.24 / CSA 6.10. The length of the connector shall not exceed 3 ft.
- Connect flexible metal connector to dryer and gas supply.
- Open shut-off valve.

3 RECONNECTING GAS

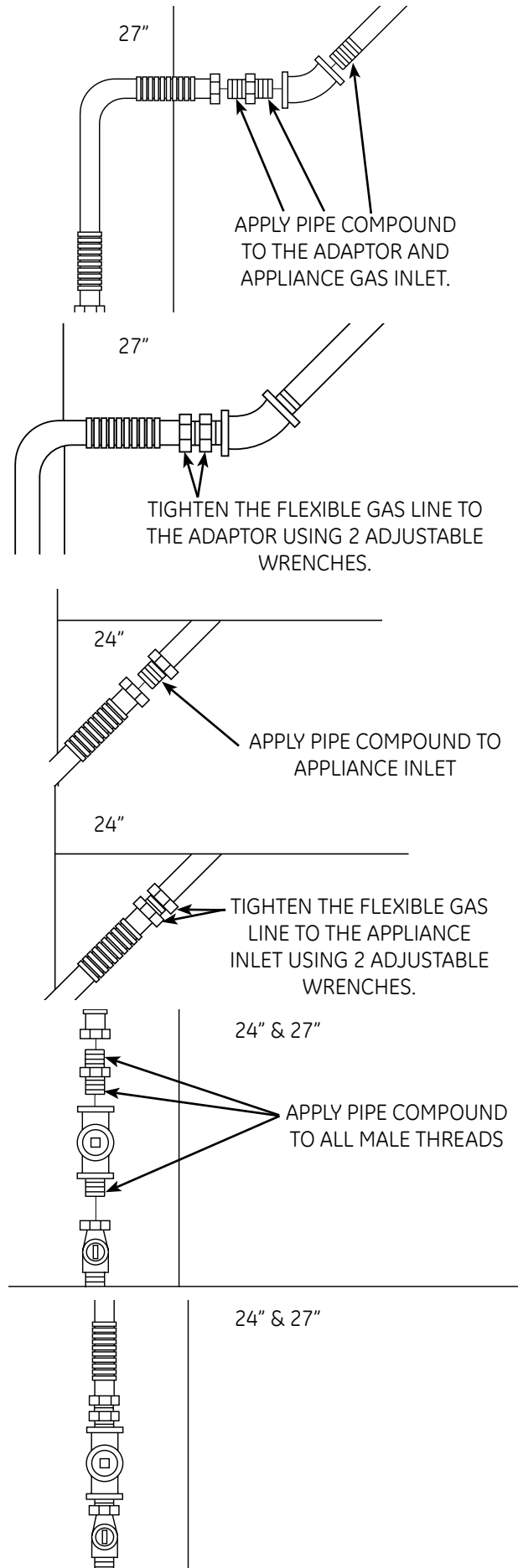
Listed connector ANSI Z21.24 / CSA 6.10



ITEMS NOT SUPPLIED

FLOOR

Note: The connector and fittings are designed for use only on the original installation and are not to be reused for another appliance or at another location. Keep flare end of adaptor free of grease, oil and thread sealant.
CAUTION: Use adapters as shown. Connector nuts must not be connected directly to pipe threads.

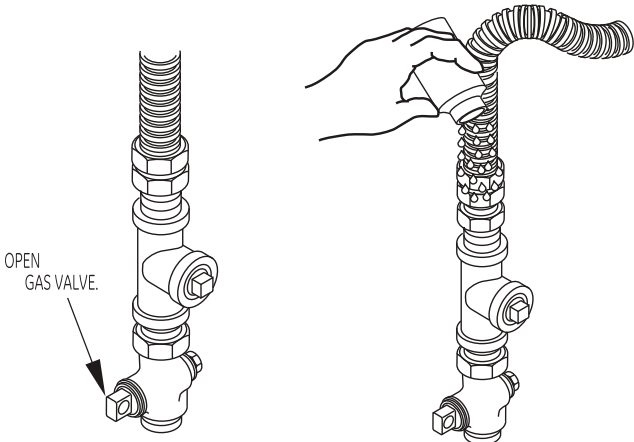


TIGHTEN ALL CONNECTIONS USING TWO ADJUSTABLE WRENCHES. DO NOT OVERTORQUE GAS CONNECTIONS!

Installation Instructions

4 LEAK TEST

⚠ WARNING: NEVER USE AN OPEN FLAME TO TEST FOR GAS LEAKS.



Check all connections for leaks with soapy solution or equivalent. Apply soap solution. Bubbles indicate leaks. Leak test solution must not contain ammonia which could cause damage to the brass fittings. If leak are found, close valve retighten the joint and repeat the soap test.

5 ELECTRICAL CONNECTION INFORMATION

⚠ WARNING - TO REDUCE THE RISK OF FIRE, ELECTRICAL SHOCK, AND PERSONAL INJURY:

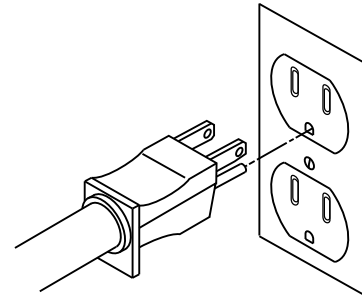
- DO NOT USE AN EXTENSION CORD OR AN ADAPTER PLUG WITH THIS APPLIANCE.

Dryer must be electrically grounded in accordance with local codes and ordinances, or in the absence of local codes, in accordance with the NATIONAL ELECTRICAL CODE, ANSI/NFPA NO. 70.

ELECTRICAL REQUIREMENTS

This appliance must be supplied with 120V, 60Hz, and connected to a properly grounded branch circuit, protected by a 15- or 20- amp circuit breaker or time-delay fuse. If electrical supply provided does not meet the above specifications, it is recommended that a licensed electrician install an approved outlet.

⚠ WARNING - THIS DRYER IS EQUIPPED A THREE-PRONG (GROUNDING) PLUG FOR YOUR PROTECTION AGAINST SHOCK HAZARD AND SHOULD BE PLUGGED DIRECTLY INTO A PROPERLY GROUNDED THREE-PRONG RECEPTACLE. DO NOT CUT OR REMOVE THE GROUNDING PRONG FROM THIS PLUG.



ENSURE PROPER GROUND EXISTS BEFORE USE.

GROUNDING INSTRUCTIONS

This appliance must be grounded. In the event of malfunction or breakdown, grounding will reduce the risk of electric shock by providing a path of least resistance of electric current. This appliance is equipped with a cord having an equipment-grounding conductor and a grounding plug. The plug must be plugged into an appropriate outlet that is properly installed and grounded in accordance with all local codes and ordinances.

⚠ WARNING - Improper connection of the equipment-grounding conductor can result in a risk of electric shock. Check with a qualified electrician or serviceman if you are in doubt as to whether the appliance is properly grounded.

Do not modify the plug provided with the appliance. If it will not fit the outlet, have a proper outlet installed by a qualified electrician.

6 EXHAUST INFORMATION

⚠ WARNING - IN CANADA AND IN THE UNITED STATES, THE REQUIRED EXHAUST DUCT DIAMETER IS 4 IN (102mm). DO NOT USE DUCT LONGER THAN SPECIFIED IN THE EXHAUST LENGTH TABLE.

Using exhaust longer than specified length will:

- Increase the drying times and the energy cost.
- Reduce the dryer life.
- Accumulate lint, creating a potential fire hazard.

The correct exhaust installation is YOUR RESPONSIBILITY. Problems due to incorrect installation are not covered by the warranty.

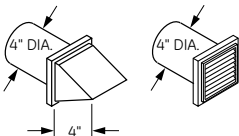
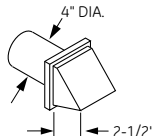
Remove and discard existing plastic or metal foil transition duct and replace with UL listed transition duct.

The **MAXIMUM ALLOWABLE** duct length and number of bends of the exhaust system depends upon the type of duct, number of turns, the type of exhaust hood (wall cap), and all conditions noted below. The maximum duct length for rigid metal duct is shown in the table below.

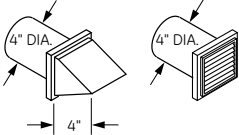
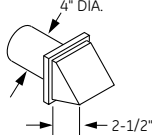
Installation Instructions

EXHAUST INFORMATION (CONT)

27" DRYER EXHAUST LENGTH

RECOMMENDED MAXIMUM LENGTH		
Exhaust Hood Types		
	Recommended	Use only for short run installations
		
No. of 90° Elbows	Rigid Metal	Rigid Metal
0	56 Feet	42 Feet
1	44 Feet	32 Feet
2	34 Feet	25 Feet
3	24 Feet	18 Feet

24" DRYER EXHAUST LENGTH

RECOMMENDED MAXIMUM LENGTH		
Exhaust Hood Types		
	Recommended	Use only for short run installations
		
No. of 90° Elbows	Rigid Metal	Rigid Metal
0	43 Feet	36 Feet
1	33 Feet	26 Feet
2	24 Feet	16 Feet

EXHAUST SYSTEM CHECK LIST HOOD OR WALL CAP

- Terminate in a manner to prevent back drafts or entry of birds or other wildlife.
- Termination should present minimal resistance to the exhaust air flow and should require little or no maintenance to prevent clogging.
- **Never** install a screen in or over the exhaust duct. This could cause lint build up.
- Wall caps must be installed at least 12 in. above ground level or any other obstruction with the opening pointed down.

SEPARATION OF TURNS

For best performance, separate all turns by at least 4 ft. of straight duct, including distance between last turn and exhaust hood.

TURNS OTHER THAN 90°

- One turn of 45° or less may be ignored.
- Two 45° turns should be treated as one 90° turn.
- Each turn over 45° should be treated as one 90° turn.

SEALING OF JOINTS

- All joints should be tight to avoid leaks. The male end of each section of duct must point away from the dryer.
- Do not assemble the ductwork with fasteners that extend into the duct. They will serve as a collection point for lint.
- Duct joints can be made air and moisture-tight by wrapping the overlapped joints with duct tape.
- Horizontal runs should slope down toward the outdoors 1/4 inch per foot

INSULATION

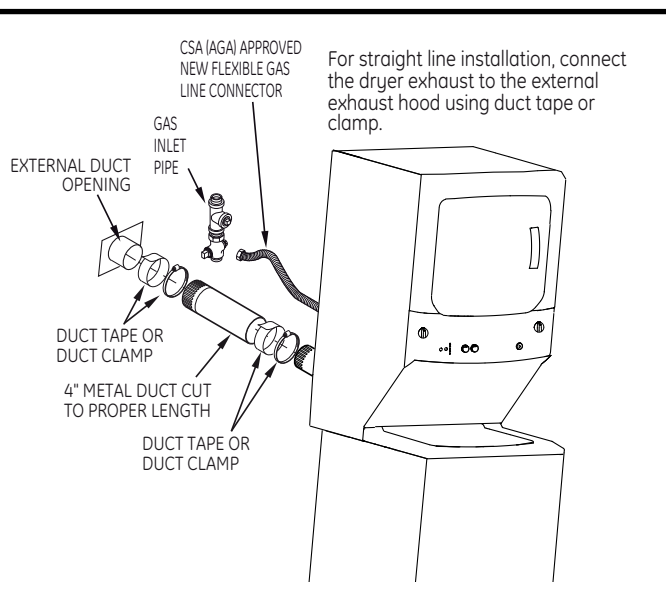
Duct work that runs through an unheated area or is near air conditioning should be insulated to reduce condensation and lint build-up.

7 EXHAUST CONNECTION

⚠ WARNING - TO REDUCE THE RISK OF FIRE OR PERSONAL INJURY:

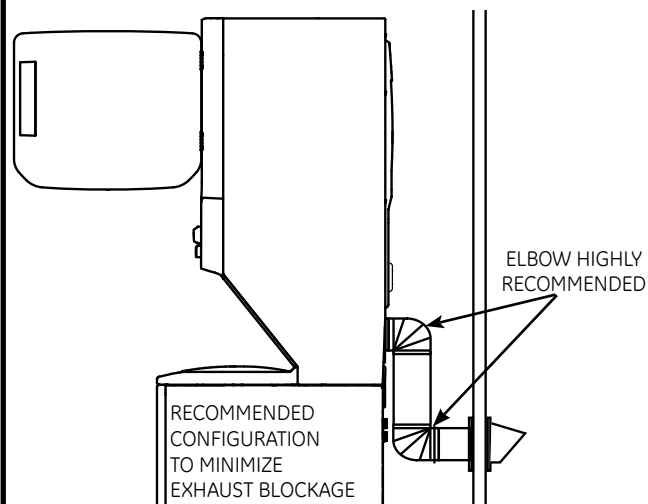
- This appliance must be exhausted to the outdoors.
- Use only 4" rigid metal ducting for the home exhaust duct.
- Use only 4" rigid metal or UL-listed flexible metal (semi-rigid or foil-type) duct to connect the dryer to the home exhaust duct. It must be installed in accordance with the instructions found in "Connecting The Dryer To House Vent" on page 8 of this manual.
- Do not terminate exhaust in a chimney, a wall, a ceiling, gas vent, crawl space, attic, under an enclosed floor, or in any other concealed space of a building. The accumulated lint could create a potential fire hazard.
- Never terminate the exhaust into a common duct with a kitchen exhaust system. A combination of grease and lint creates a potential fire hazard.
- Do not use duct longer than specified in the exhaust length table. Longer ducts can accumulate lint, creating a potential fire hazard.
- Never install a screen in or over the exhaust duct. This will cause lint to accumulate, creating a potential fire hazard.
- Do not assemble ductwork with any fasteners that extend into the duct. These fasteners can accumulate lint, creating a potential fire hazard.
- Do not obstruct incoming or exhausted air.
- Provide an access for inspection and cleaning of the exhaust system, especially at turns and joints. Exhaust system shall be inspected and cleaned at least once year.

THIS DRYER COMES READY FOR REAR EXHAUSTING. IF SPACE IS LIMITED, USE THE INSTRUCTIONS IN SECTION 9 TO EXHAUST DIRECTLY FROM THE SIDES OR BOTTOM OF THE CABINET.



Installation Instructions

STANDARD REAR EXHAUST (Vented above floor level)



NOTE: ELBOWS WILL PREVENT DUCT KINKING AND COLLAPSING

3. With the appliance in its final position, place a level on top of back part of the washer lid and check it side to side, then check front to back. Screw the front leveling legs up or down to ensure the appliance is resting solid on all four legs (no rocking or the appliance should exist), turn the lock nuts on each leg up toward the base of the unit and snug with a wrench.

Note: Keep the leg extension at minimum to prevent excessive vibration. The farther out legs are extended, the more the unit will vibrate.

CONNECTING THE DRYER TO HOUSE VENT

RIGID METAL TRANSITION DUCT

- For best drying performance, a rigid metal transition duct is recommended.
- Rigid metal transition ducts reduce the risk of crushing and kinking.

UL-LISTED FLEXIBLE METAL (SEMI-RIGID) TRANSITION DUCT

- If rigid metal duct cannot be used, then UL-listed flexible metal (semi-rigid) ducting can be used (Kit WX08X10077).
- Never install flexible metal duct in walls, ceilings, floors or other enclosed spaces.
- For many applications, installing elbows at both the dryer and the wall is highly recommended (see illustrations on page 9). Elbows allow the dryer to sit close to the wall without kinking and or crushing the transition duct, maximizing drying performance.

- Avoid resting the duct on sharp objects.

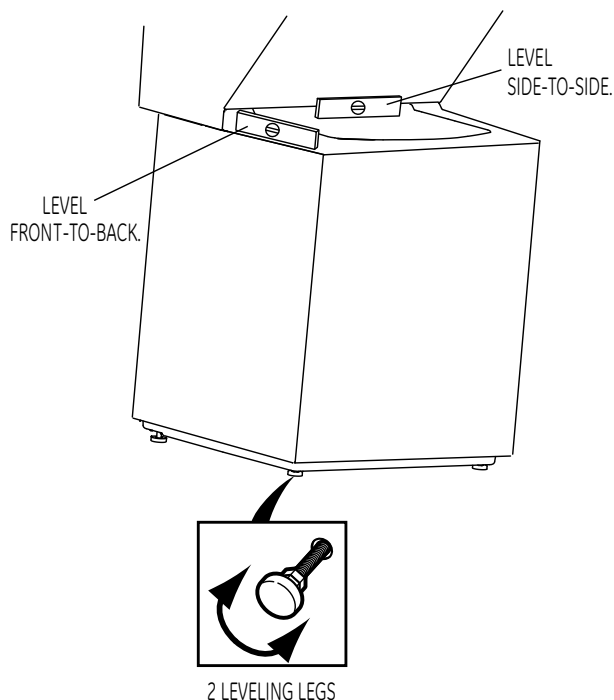
UL-LISTED FLEXIBLE METAL (FOIL-TYPE) TRANSITION DUCT

- In special installations, it may be necessary to connect the dryer to the house vent using a flexible metal (foil-type) duct. A UL-listed flexible metal (foil-type) duct may be used ONLY in installations where rigid metal or flexible metal (semi-rigid) ducting cannot be used AND where a 4" diameter can be maintained throughout the entire length of the transition duct.
- In Canada and the United States, only the flexible metal (foil-type) ducts that comply with the "Outline for Clothes Dryer Transition Duct Subject 2158A" shall be used.
- Total length of flexible metal duct should not exceed 8 feet (2.4m).
- Avoid resting the duct on sharp objects.

- For best drying performance:

1. Slide one end of the duct over the clothes dryer outlet pipe.
2. Secure the duct with a clamp.
3. With the dryer in its permanent position, extend the duct to its full length. Allow 2" of duct to overlap the exhaust pipe. Cut off and remove excess duct. Keep the duct as straight as possible for maximum airflow.
4. Secure the duct to the exhaust pipe with the other clamp.

8 LEVELING AND STABILIZING YOUR APPLIANCE



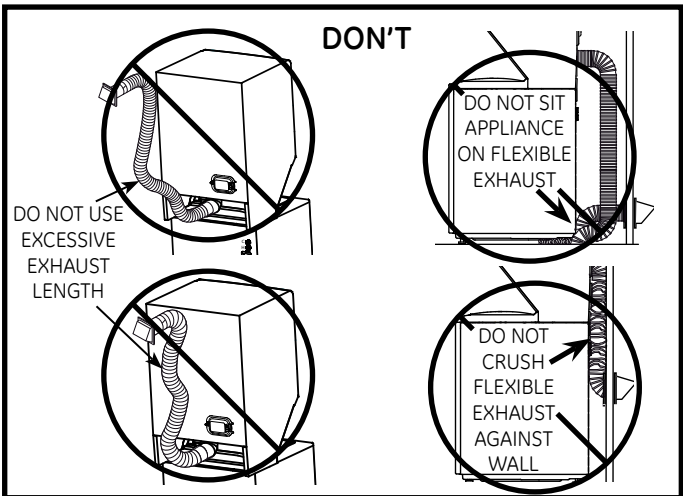
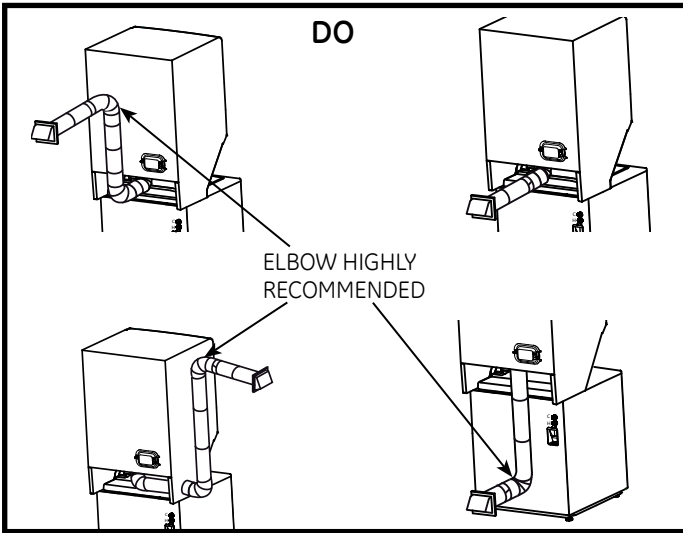
Level and stabilizing your appliance

1. Carefully move the appliance to its final location. Gently rock the appliance into position. It is important not to damage the rubber leveling legs when moving your appliance to its final location. Damage legs can increase appliance vibration. It may be helpful to spray window cleaner on the floor to help move your appliance to its final position.

Note: do not use washer cover to lift the unit.

2. To ensure the appliance is level and solid on all four legs, tilt the appliance forward so the rear legs are off the ground. Gently set the appliance back down to allow the rear legs to self adjust.

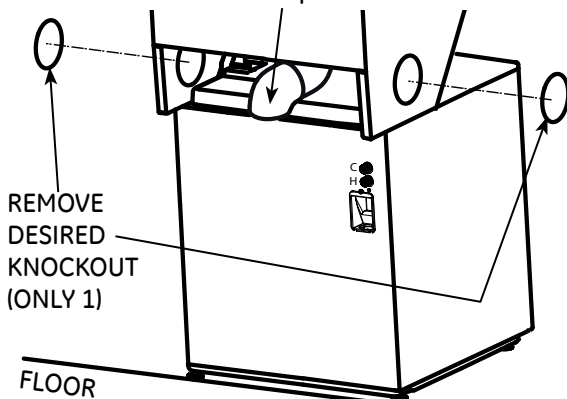
Installation Instructions



**9 24" MODELS ONLY:
DRYER EXHAUST TO RIGHT, LEFT OR
BOTTOM CABINET**

⚠ WARNING - BEFORE PERFORMING THIS EXHAUST INSTALLATION, BE SURE TO DISCONNECT THE APPLIANCE FROM ITS ELECTRICAL SUPPLY. PROTECT YOUR HANDS AND ARMS FROM SHARP EDGES WHEN WORKING INSIDE THE CABINET. BE SURE TO WEAR GLOVES

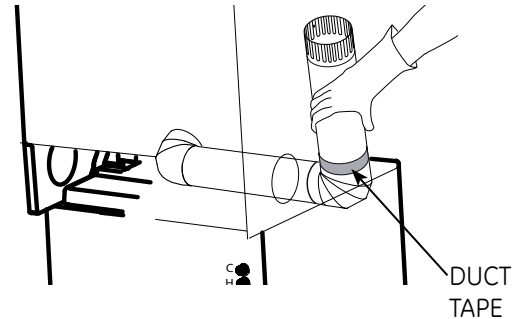
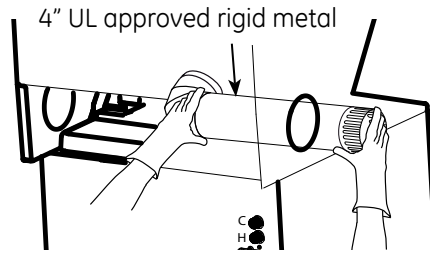
For downward venting, rotate elbow sections so that elbow points downward



EXHAUST TO LEFT OR RIGHT SIDE OF CABINET

- For side ducting, remove the knockout (ONLY 1). Rotate elbow sections so that the opening points to the side. Preassemble 4" elbow with 4" duct. Use only 4" UL approved rigid metal for ducting inside the dryer.
- Insert duct assembly through the side opening and connect to the internal elbow.

⚠ WARNING- Be sure not to pull or damage the electrical wires inside the dryer when inserting the duct.



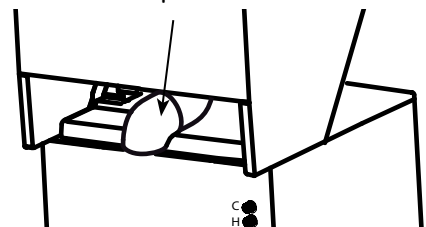
- Apply duct tape as shown on the joint between the dryer internal duct and the straight duct pipe.

⚠ WARNING- Internal duct joints must be secured with tape, otherwise they may separate and cause a safety hazard.

**27" MODELS ONLY:
DRYER EXHAUST TO RIGHT, LEFT OR
BOTTOM CABINET**

⚠ WARNING - BEFORE PERFORMING THIS EXHAUST INSTALLATION, BE SURE TO DISCONNECT THE APPLIANCE FROM ITS ELECTRICAL SUPPLY. PROTECT YOUR HANDS AND ARMS FROM SHARP EDGES WHEN WORKING INSIDE THE CABINET. BE SURE TO WEAR GLOVES

For downward venting, rotate elbow sections so that elbow points downward

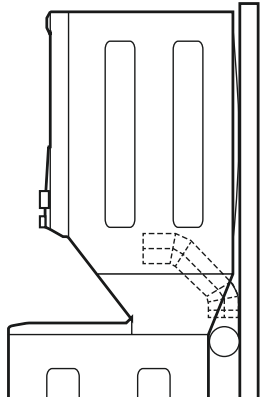


Installation Instructions

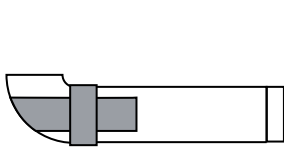
EXHAUST TO LEFT OR RIGHT SIDE OF CABINET

- Rotate elbow sections so that the opening points to the side to which you want to vent. Preassemble 4" elbow with 4" duct. Use only 4" UL approved rigid metal for ducting inside the dryer.
- Connect duct assembly to the internal elbow.

⚠ WARNING- Be sure not to pull or damage the electrical wires inside the dryer when inserting the duct.



- Apply duct tape as shown on the joint between the dryer internal duct and the straight duct pipe.



⚠ WARNING- Internal duct joints must be secured with tape, otherwise they may separate and cause a safety hazard.

10 PLUMBING INFORMATION WATER SUPPLY REQUIREMENTS

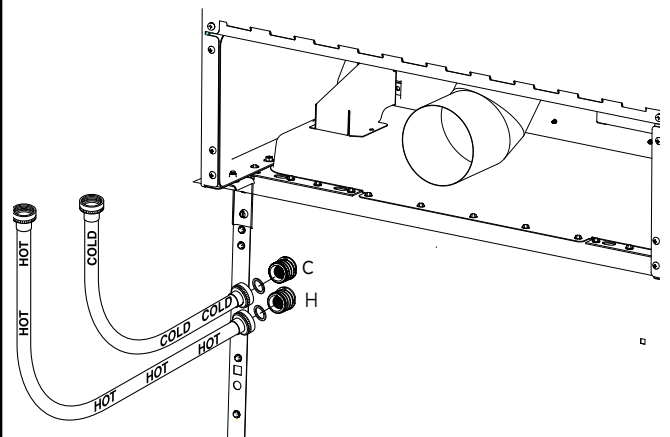
- HOT AND COLD WATER FAUCETS – Must be within 42" of the appliance water inlet hose connections. The faucets must be 3/4" garden hose-type so inlet hoses can be connected.
- WATER PRESSURE – Must be between 10 and 120 pounds per square inch with a maximum unbalance pressure, hot vs. cold flowing, of 10 pounds per square inch.
- WATER TEMPERATURE – Water heater should be set to deliver 140° to 150°F (60° to 66°C) in the washer when HOT wash is selected.
- SHUT-OFF VALVES – Both hot and cold water shut-off valves (faucets) should be supplied.
- LOCATION – Do not install appliance in an area where the temperature will fall below freezing. If appliance is stored or transported in freezing temperatures, be sure all water from the fill and drain systems has been removed.

DRAIN REQUIREMENTS

- DRAIN RATE – The drain or standpipe must be capable of accepting a discharge at the rate of 16 gallons per minute.
- DRAIN HEIGHT – The drain height must be 33" minimum and 96" maximum.

- STANDPIPE DIAMETER – The standpipe diameter must be 1-1/2" minimum. There MUST be an air gap around the drain hose in the standpipe. A snug fit can cause a siphoning action.
- SIPHON BREAK KIT – For a drain facility less than 33" high, the hose, coupling and clamps provided in the machine must be used and, in addition, a siphon break MUST be installed on the back of the machine. Use Siphon Break Kit WH49X228 and follow instructions in the kit.

11 CONNECTING TO PLUMBING FACILITIES

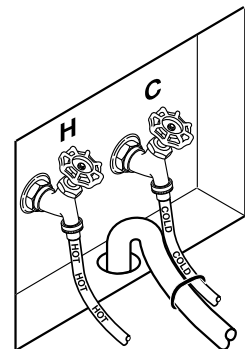


If not installed, install rubber washer in one end of hot water hose. Thread hot water hose onto connection labeled **H** at top rear of washer. Hand tighten, plus an additional 1/8 turn with pliers.

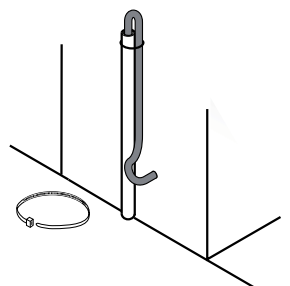
If not installed, install rubber washer in one end of cold water hose. Thread cold water hose onto connection labeled **C** at top rear of washer. Hand tighten, plus an additional 1/8 turn with pliers.

Move appliance as close to final location as possible, leaving room for you to make water, drain, electrical and vent connections to your home.

NOTE: If longer drain hose is required, order drain hose extension kit, GE part number WH49X301. Connect additional drain hose (contained in kit) to original hose with hose clamp (contained in kit).



Insert free end of drain hose into drain opening of your home up to drain hose stopper (do not remove hose stopper it prevents siphoning). If water valves and drain are built into wall, fasten drain hose to one of water hoses with cable tie provided (ribbed side on inside). If your drains is a standpipe, fasten drain hose to standpipe with cable tie provided.



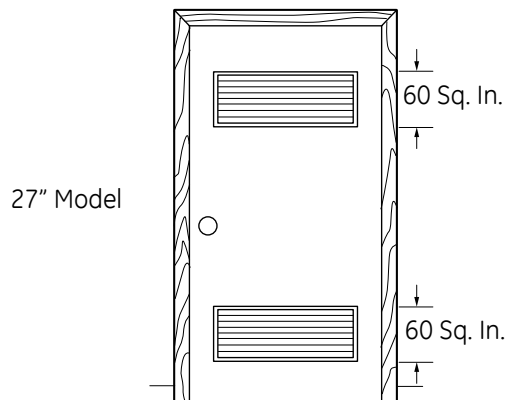
Installation Instructions

12 MOBILE OR MANUFACTURED HOME INSTALLATION

- Installation **MUST** conform to the **MANUFACTURED HOME CONSTRUCTION & SAFETY STANDARD, TITLE 24, PART 32-80** or, when such standard is not applicable, with **AMERICAN NATIONAL STANDARD FOR MOBILE HOME, ANSI/NFPA NO. 501B**.
- The appliance **MUST** be vented to the outdoors with the termination securely fastened to the mobile home structure.
- The vent **MUST NOT** be terminated beneath a mobile or manufactured home.
- The vent duct material **MUST BE METAL**.
- **KIT 14-D346-33** **MUST** be used to attach the appliance securely to the structure.
- The vent **MUST NOT** be connected to any other duct, vent, or chimney.
- Do not use sheet metal screws or other fastening devices which extend into the interior of the exhaust vent.
- Provide an opening with a free area of at least 25 sq. in. for introduction of outside air into the dryer room.

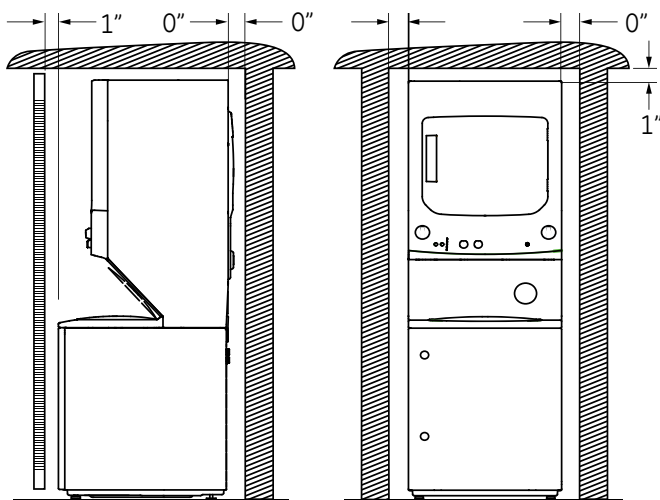
DOOR VENTILATION OPENING (27" MODELS)

A minimum of 120 square inches of opening, equally divided at top and bottom, is required. Air openings are required to be unobstructed when a door is installed. A louvered door with equivalent air openings for the full length of the door is acceptable.



When louvers or registers are placed in door openings, the free air openings of the louvers or registers must equal 120 square inches.

13 ALCOVE OR CLOSET INSTALLATION



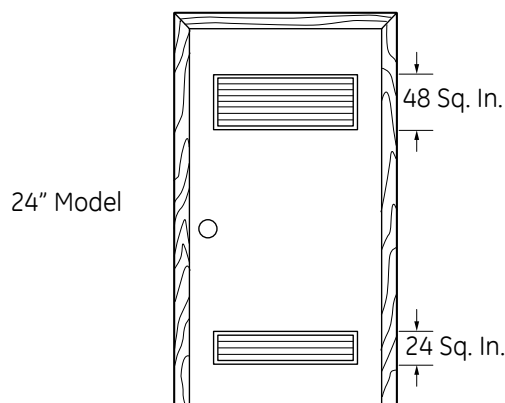
- If your appliance is approved for installation in an alcove or closet, it will be stated on a label on the appliance back.
- The dryer **MUST** be vented to the outdoors. See the **EXHAUST INFORMATION** section.
- Do not install this appliance with less than the minimum clearances shown above.
- The closet should be vented to the outdoors to prevent gas pocketing in case of a gas leak in the supply line.
- No other fuel-burning appliance shall be installed in the same closet with the appliance.

CONSIDERATION MUST BE GIVEN TO PROVIDE ADEQUATE CLEARANCES FOR INSTALLATION AND SERVICE.

⚠ WARNING: DO NOT INSTALL THIS APPLIANCE IN A CLOSET WITH A SOLID DOOR.

DOOR VENTILATION OPENING (24" MODELS)

A minimum of 72 square inches of opening is required. Air openings are required to be unobstructed when a door is installed. A louvered door with equivalent air openings for the full length of the door is acceptable.



When louvers or registers are placed in door openings, the free air openings of the louvers or registers must equal 72 square inches.

14 BATHROOM OR BEDROOM INSTALLATION

- The appliance **MUST** be vented to the outdoors. See **EXHAUST INFORMATION** section 6 & 7.
- The installation must conform with local codes or, in the absence of local codes, with the **NATIONAL ELECTRICAL CODE, ANSI/NFPA NO. 70** and **NATIONAL FUEL GAS CODE, ANSI Z223..**

Installation Instructions

15 SERVICING

⚠ WARNING- LABEL ALL WIRES PRIOR TO DISCONNECTION WHEN SERVICING CONTROLS. WIRING ERRORS CAN CAUSE IMPROPER AND DANGEROUS OPERATION AFTER SERVICING/INSTALLATION.

For replacement parts and other information, refer to Owner's Manual for servicing phone numbers.

REGISTER YOUR NEW APPLIANCE TO RECEIVE ANY
IMPORTANT PRODUCT NOTIFICATIONS.

Please go to www.GEAppliances.com or mail in your
Product Registration Card.

For questions on installation, call: 800.626.2000 (US) or
800-561-3344 (Canada).

Instructions D'Installation

Laveuse/Sécheuse Gaz Unifiées



Question sur l'installation? Appelez au 800.561.3344 (Canada)
Ou visitez notre site web : www.electromenagersge.ca

AVANT DE COMMENCER

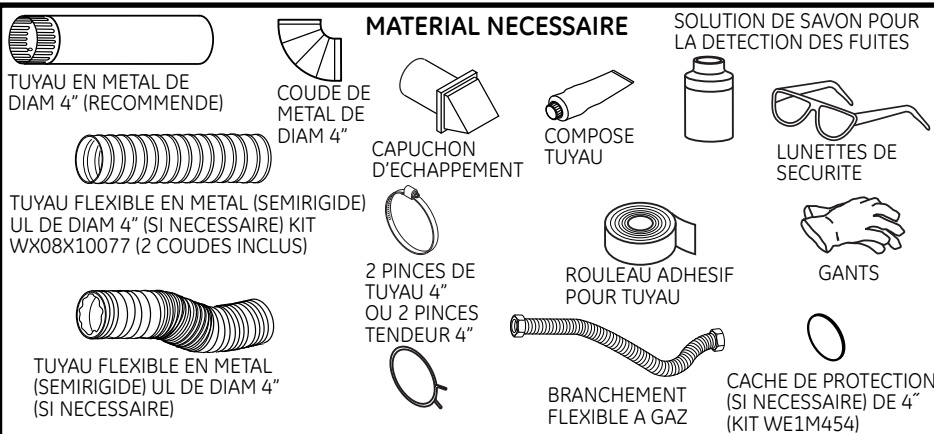
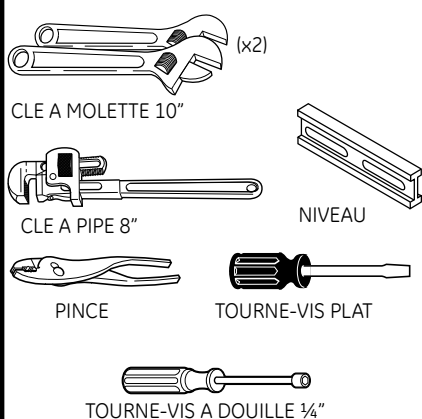
Lisez les instructions complètement et avec attention.

- **IMPORTANT**- Gardez ces instructions pour une utilisation possible par un réparateur local.
- **IMPORTANT**- Respecter les normes en vigueur et ordonnances.
- **Note pour l'installateur** - Assurez-vous de laisser ces instructions avec le client.
- **Note pour le client** - Gardez ces instructions avec votre manuel d'utilisation et d'entretien pour une consultation future possible.
- Avant que l'appareil soit déplacé après réparation ou pour être jeté, enlevez les portes de la laveuse et de la sécheuse.
- Contrôlez les sorties d'échappement et redressez l'installation sur le mur si elle est tordue.
- Les informations de réparation et le diagramme des conduits sont situés sur le tableau d'accès.
- Empêchez les enfants d'être sur ou dans l'appareil. Une supervision proche des enfants est nécessaire lorsque l'appareil est utilisé.
- Installez l'appareil où la température est en-dessous de 50°F (10°C) pour un fonctionnement satisfaisant du système de contrôle.

⚠ AVERTISSEMENT - RIESQUE D'INCENDIE

- Pour réduire les risques de blessures graves ou de mort, suivez les instructions d'installation.
- L'installation de l'appareil doit être faite par une personne qualifiée.
- Installez l'appareil selon ces instructions et conformément aux normes locales. Dans l'absence de normes locales, l'installation doit être conforme à la Norme Nationale sur le Gaz et le Fuel, ANSIZ223.1/NFPA 54 ou la Norme Nationale Canadienne sur le Gaz Naturel et le Propane, CSIB149.1.
- Les appareils à gaz peuvent causer une exposition mineur à quatre deces substances, benzène, monoxyde de carbone, formaldéhyde et suie, causée principalement par la combustion incomplète du gaz naturel ou des fuels LP. Proprement ajustées, les sécheuses minimiseront la combustion incomplète. L'exposition à ces substances peut être minimisée en ventilant correctement la sécheuse vers l'extérieur.
- Cette sécheuse doit avoir un système d'échappement vers l'extérieur.
- Utilisez seulement des conduits rigides en métal de 4" pour la canalisation de la sécheuse vers l'extérieur.
- NE PAS installer une sécheuse avec des conduits flexibles en plastique. Si les conduits flexibles de métal (semi-rigide ou en aluminium) sont installés, ils doivent être UL et installés conformément aux instructions trouvées dans « Branchez La Sécheuse Aux Conduits de la Maison » de la page 8 de ce manuel. Les matériaux des conduits flexibles sont connus pour se fendre, s'écraser et être des pièges à peluches. Ces conditions feront obstacle au flux d'air de la sécheuse et augmenteront les risques d'incendie.
- N'installez pas et n'entrez pas cet appareil dans un endroit où il pourrait être exposé à l'eau ou au climat.
- Gardez les instructions. (l'installateur doit s'assurer de laisser ces instructions chez le client).

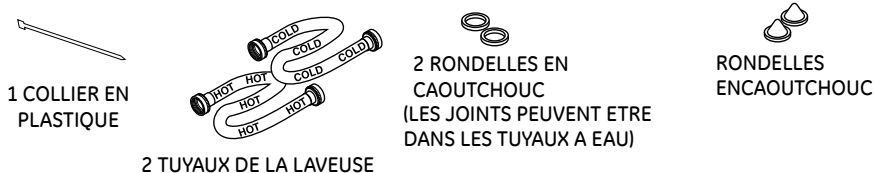
OUTILS A UTILISER



Dans le Commonwealth du Massachusetts :

- Ce produit doit être installé par un plombier ou un monteur d'installations au gaz licencié.
- Si vous utilisez des robinets d'arrêt du gaz à bille, ils doivent avoir une poignée en T.
- Si vous utilisez un raccord de gaz souple, il ne doit pas dépasser 1 m (3 pieds).

PIECES FOURNISES



Instructions d'Installation

CONDITIONS D'INSTALLATION DE L'EMPLACEMENT

Cet appareil doit être installé sur un sol solide pour minimiser les vibrations durant le cycle d'essorage. Le sol en béton est meilleur, mais une base en bois est suffisante. Cet appareil ne devrait pas être installé sur un tapis ou exposé au climat.

PLOMBERIE

PRESSION DE L'EAU – Elle doit être de 20 psi minimum et 120 psi maximum.

TEMPERATURE DE L'EAU – le chauffe-eau de votre maison doit être configuré pour distribuer une eau de 120° à 150°F (50° à 66° C) DANS LA LAVEUSE lorsque l'eau chaude est sélectionnée.

VALVES DE FERMETURE – La valve de fermeture d'eau froide et celle d'eau chaude (robinet) doivent être fournies.

DRAINAGE – L'eau peut être drainée par le tuyau de rejet à l'égout ou par le bac configuré. La hauteur de l'écoulement.

NE DOIT PAS ETRE INFERIEURE A 30 POUCES, et pas plus de 6 pieds au-dessus de la base de la laveuse. Le tuyau de rejet à l'égout doit mesurer 1-1/2 pouce minimum à l'intérieur du diamètre et doit être ouverte vers l'extérieur.

CONDITIONS ELECTRIQUES

PRUDENCE: Avant de brancher la laveuse, lisez les conditions électriques suivantes.

PRUDENCE: Pour votre propre sécurité, n'utilisez pas de rallonge ou d'adaptateur avec cet appareil. Ne coupez pas ni enlevez la troisième dent de la prise électrique correspondant à la masse. Suivez les normes électriques nationales pour le voltage et la fréquence indiqués sur la plaque de conversion (située au-dessus de la sècheuse sur le tableau avant), et branchez à une prise individuelle, correctement connectée à la terre, protégée par disjoncteur de 15- ou 20-amp ou un fusible à retardement. Si l'installation électrique ne répond pas aux conditions ci-dessus, appelez un électricien qualifié.

- Etape 1 Vérifiez votre Installation de Gaz (voir section 2).
- Etape 2 Préparez la Zone et l'Echappement pour l'Installation de l'Nouvelle Appareil (voir section 1).
- Etape 3 Vérifiez et Assurez l'Echappement Existant Externe qu'il soit Propre (voir section 1) et les Spécifications d'Installation Ci-jointes (voir section 6).
- Etape 4 Enlevez la Mousse de Rembourrage de Transport (voir section 1).
- Etape 5 Déplacez l'appareil au Lieu Désiré.
- Etape 6 Nivelez l'appareil (voir section 8).
- Etape 7 Branchez le gaz (voir section 3) et vérifiez les fuites (section 4).
- Etape 8 Branchez l'Echappement Externe (voir section 7).
- Etape 9 Raccordez au système de plomberie (voir section 11)
- Etape 10 Branchez l'appareil au Courant Electrique (voir section 5).

- Etape 11 Vérifiez le Fonctionnement du Courant Electrique, du Branchement du Gaz et la Ventilation.
- Etape 12 Placez le Manuel de l'Utilisateur et les Instructions d'Installation dans un Lieu Où Ils Seront Trouvés Par le Propriétaire

Pour le Renforcement ou l'Installation dans un Meuble, voir section 13.

Pour l'installation dans une salle de bain ou une chambre, voir section 14.

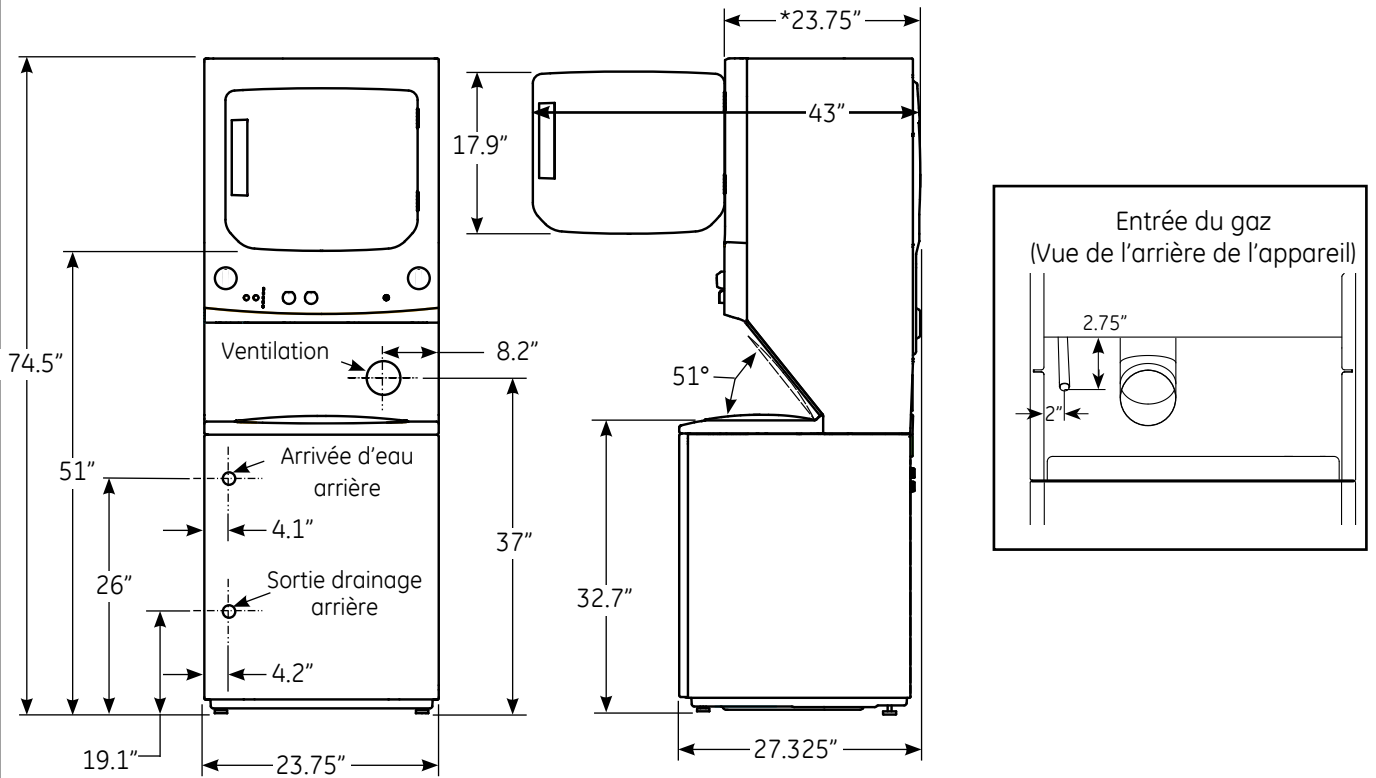
Pour l'installation dans un mobile home, voir section 12.

AJUSTEMENT POUR L'ALTITUDE

- Les classifications du gaz d'entrée d'une sècheuse à gaz sont basées sur le fonctionnement au niveau de la mer et aucun ajustement n'est nécessaire pour fonctionner à une altitude de 2000 pieds ou moins. Pour un fonctionnement aux altitudes plus élevées que 2000 pieds, les classifications d'entrée doivent être réduites de 4% pour chaque 1000 pieds au-dessus du niveau de la mer.
- L'installation doit être conforme aux normes ou ordonnances locaux, ou, dans l'absence de ceux-ci, au Code national du gaz combustible ANSI Z223.

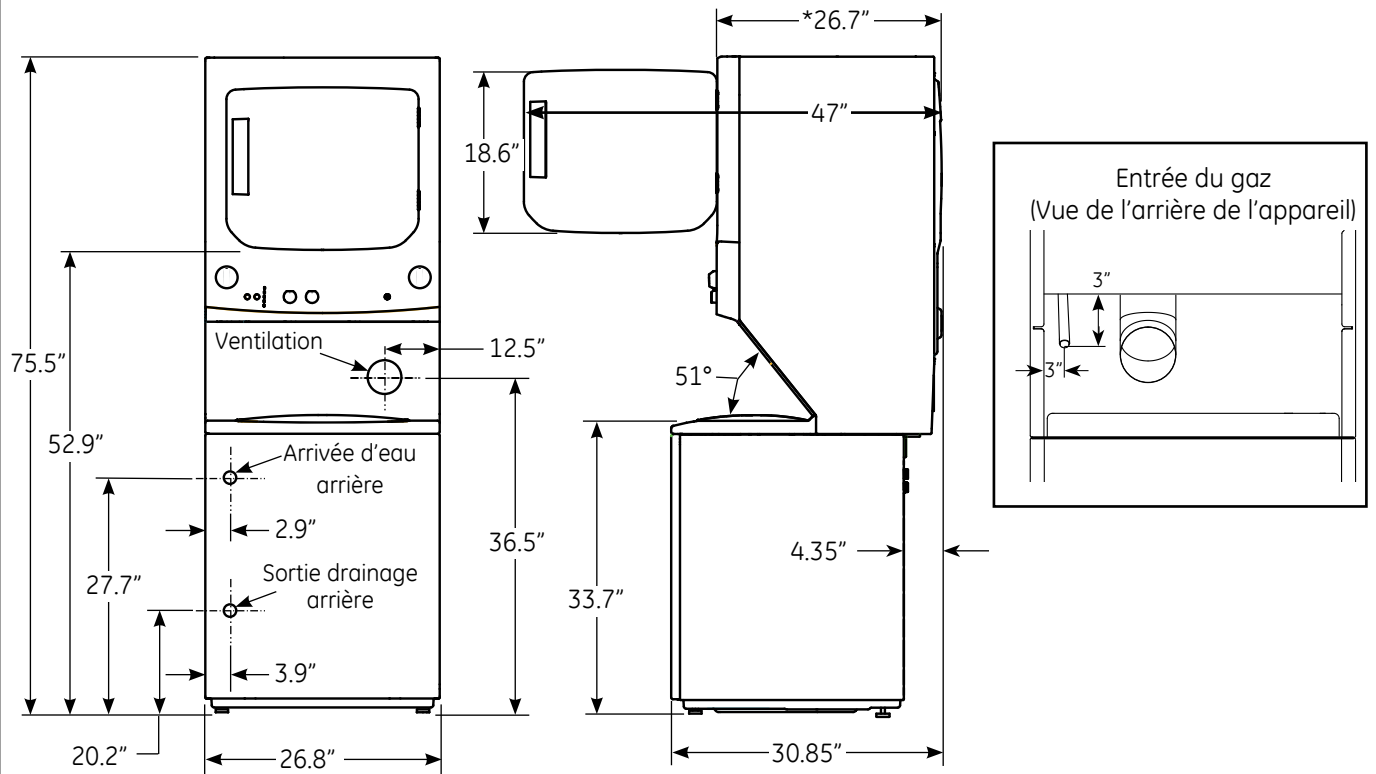
Instructions d'Installation

DIMENSIONS NOMINALES DU PRODUIT 24"



* Dimensions lorsque les portes sont fermées incluant les poignées et les boutons.
NOTE : Dimensions en pieds, correspondant à ± 375".

DIMENSIONS NOMINALES DU PRODUIT 27"



* Dimensions lorsque les portes sont fermées incluant les poignées et les boutons
NOTE : Dimensions en pieds, correspondant à ± 375".

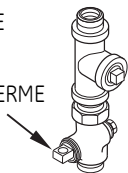
Instructions d'Installation

Espace Minimum Autre Que le Renforcement ou l'installation Dans un Meuble

L'espace minimum pour les surfaces combustibles et l'ouverture d'air sont : 0 in. d'espace de chaque côté et à l'arrière. Les considérations doivent être données pour fournir un espace adéquat pour l'installation et la réparation.

1 SE PREPARER POUR L'INSTALLATION D'UN NOUVEL APPAREIL DEBRANCHEZ LE GAZ

TOURNEZ LA VALVE DE FERMETURE A GAZ A LA POSITION FERME



DEBRANCHEZ ET DEBARRASSEZ-VOUS DES ANCIENS TUYAUX A GAZ FLEXIBLES ET LES ANCIENS MATERIAUX DE TRANSITION. REMPLACEZ-LES AVEC UN BRANCHEMENT A GAZ FLEXIBLE APPROUVE CSA (AGA) NEUF ET UN TUYAU DE TRANSITION UL AUSSI APPROUVE.

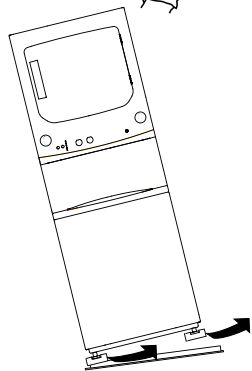
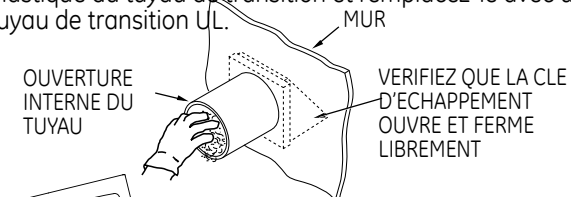


⚠ AVERTISSEMENT - NE JAMAIS REUTILISER DES BRANCHEMENTS FLEXIBLES ANCIENS

L'utilisation de branchements flexibles anciens peut causer des fuites et des blessures personnelles. Toujours utiliser des branchements flexibles neufs lorsque vous installez des appareils à gaz.

ENLEVER LES PELUCHES DE L'OUVERTURE D'ÉCHAPPEMENT DU MUR

- Enlevez et débarrassez-vous des feuilles de métal et de plastique du tuyau de transition et remplacez-le avec un tuyau de transition UL.



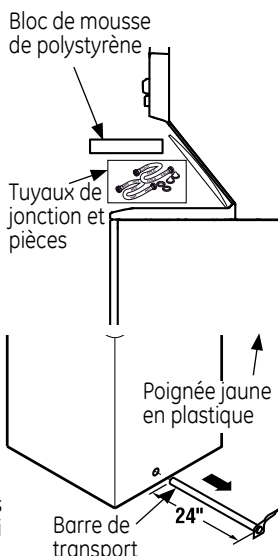
PENCHER L'UNITÉ VERS LE CÔTÉ ET ENLEVER LES PROTECTIONS DE TRANSPORT DE STYROMOUSSE EN LES BRISANT VERS L'EXTÉRIEUR DES PATTES DE L'UNITÉ. S'ASSURER D'ENLEVER TOUS LES MORCEAUX DE STYROMOUSSE AUTOURS DES PATTES.

Après que la machine soit dans votre maison, enlevez les matériaux restants et cartons de la laveuse.

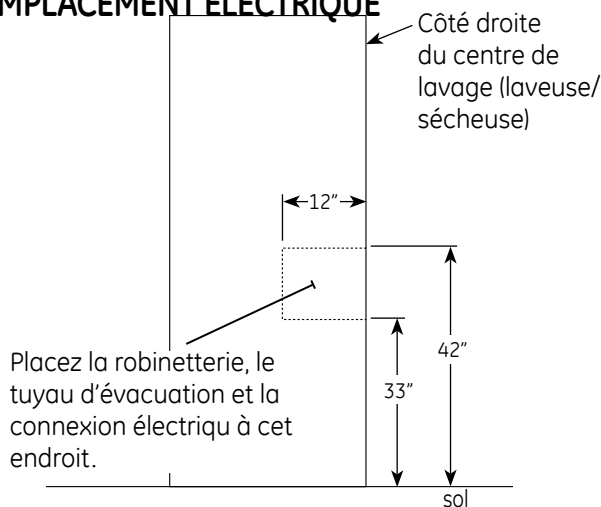
N'ENLEVEZ PAS LES BARRES DE TRANSPORT POUR LE MOMENT.

Enlevez le bloc de mousse de polystyrène. Enlevez le sac contenant les tuyaux de jonction et les pièces du bac. Mettez le bloc de mousse de polystyrène dans l'ouverture du bac pour tenir le bac en place durant le reste de l'installation.

Déplacez la laveuse vers la position finale. Assurez-vous qu'il y ait au moins 24" d'espace à droite de la laveuse pour enlever les barres de transport. TIREZ LES BARRES DE TRANSPORT VERS L'EXTÉRIEUR UTILISANT LA POIGNÉE JAUNE EN PLASTIQUE. Gardez les barres au cas où vous devriez la réinstaller ou si la laveuse est déplacée plus tard.



NOUVELLE MAISON OU NOUVEAUX ROBINETS/CANALISATION D'ÉVACUATION/EMPLACEMENT ÉLECTRIQUE

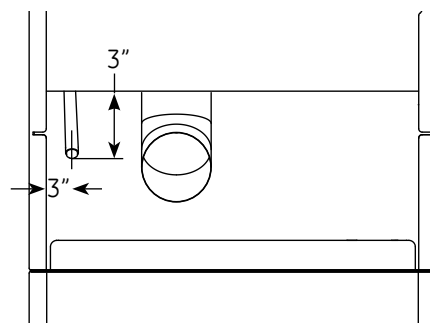


2 CONDITIONS CONCERNANT LE GAZ

⚠ AVERTISSEMENT

- L'installation doit être conforme aux normes locales et ordonnances, ou en absence de ces derniers, conforme à la NORME NATIONALE SUR LE FUEL ET LE GAZ, ANSIZ223.
- Cette sècheuse à gaz est équipée d'une Valve et d'un Bruleur Assemblés pour l'utilisation unique de gaz naturel. Utilisant le kit de conversion WE25M73 - 24"/WE25M74 - 27", votre organisation locale de réparation pourra convertir cette sècheuse à l'utilisation du propane (LP). TOUTE CONVERSION DOIT ÊTRE RÉALISÉE PAR UNE PERSONNE QUALIFIÉE CONFORMEMENT AUX NORMES LOCALES ET ORDONNANCES REQUISES.
- La sècheuse doit être débranchée du système d'arrivée de gaz durant les tests de pression de ce même système pour un test de pression supérieur à 0.5 PSI (3.4 Kpa).
- La sècheuse doit être isolée de l'arrivée de gaz en fermant les robinets durant tout test de pression du gaz d'un test de pression égale ou inférieur à 0.5 PSI (3.4 Kpa).

27" CONNEXION D'ALIMENTATION EN GAZ.



REMARQUE: 24" a une connexion d'alimentation en gaz avec conduit flexible donc les dimensions vont être différentes.

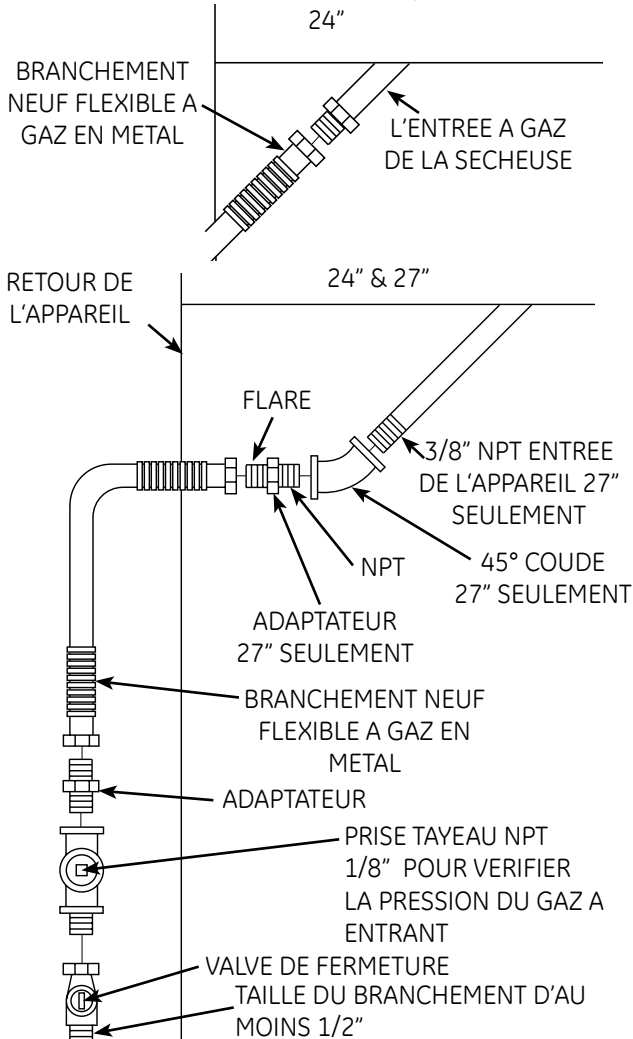
Instructions d'Installation

ALIMENTATION DE GAZ

- Un rouleau adhésif pour branchement à gaz de 1/8 in., accessible pour des tests de calibrage du branchement, doit être installé immédiatement en amont du branchement d'alimentation en gaz à la sècheuse. Contactez l'entreprise de gaz la plus proche si vous avez des questions sur l'installation du rouleau adhésif pour prise.
- Le branchement d'alimentation doit être un tuyau rigide de 1/2 in. et équipé avec une valve de fermeture accessible à 6 ft. de distance, et dans la même pièce que la sècheuse.
- Utilisez le composé pour tuyau ou le scotch Téflon approprié pour le gaz naturel et LP.
- Vous devez utiliser avec cette sècheuse un branchement flexible en métal listé comme branchement ANSI Z21.24 / CSA6.10. La longueur de ce branchement ne devrait pas excéder 3 ft.
- Connectez le branchement flexible en métal à la sècheuse et à l'alimentation en gaz.
- Ouvrez la valve de fermeture.

3 REBRANCHER LE GAZ

Branchement listé ANSI Z21.24 / CSA 6.10

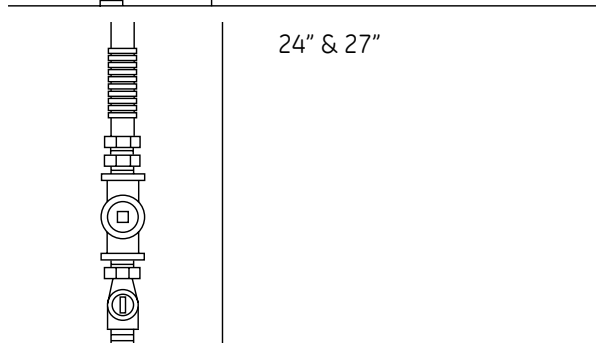
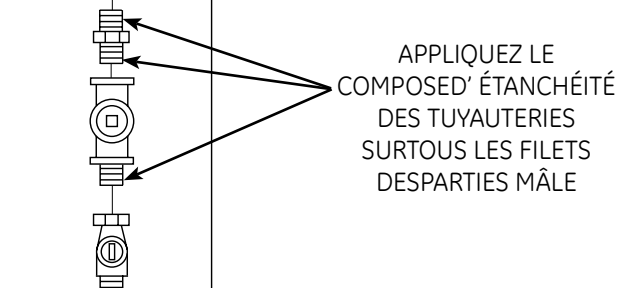
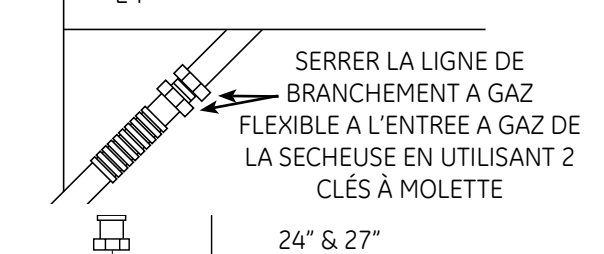
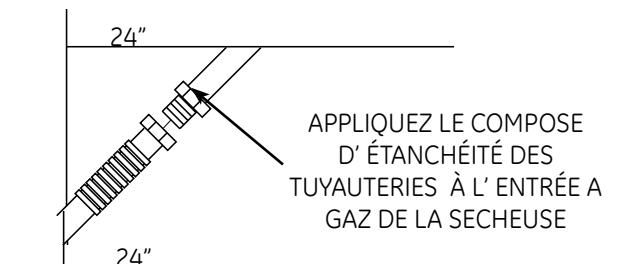
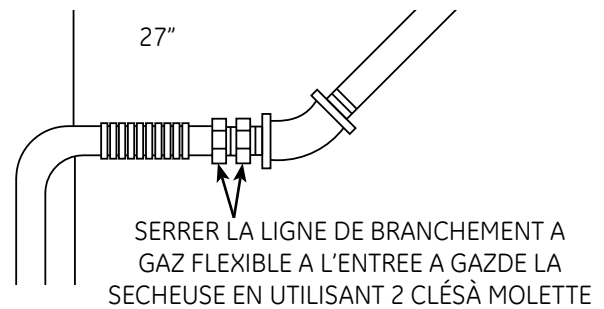
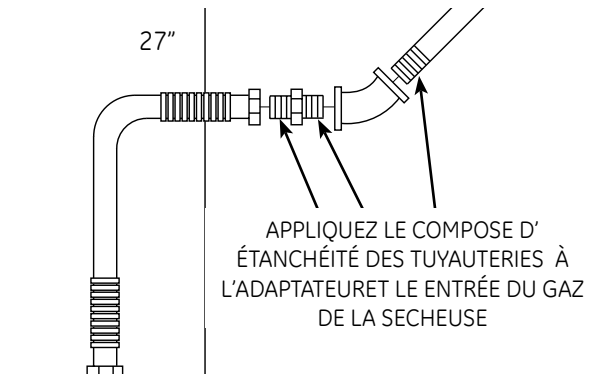


N'EST PAS FOURNI

PLANCHER

Note: Le connecteur et les raccords sont conçus pour être utilisés uniquement sur l'installation d'origine et ne doivent pas être réutilisés pour un autre appareil ou à un autre endroit. Gardez fusée fin de l'adaptateur sans graisse, huile et un produit d'étanchéité.

ATTENTION: Utiliser des adaptateurs, comme illustré. Ecrous connecteur doit ne pas être connecté directement à filetages.

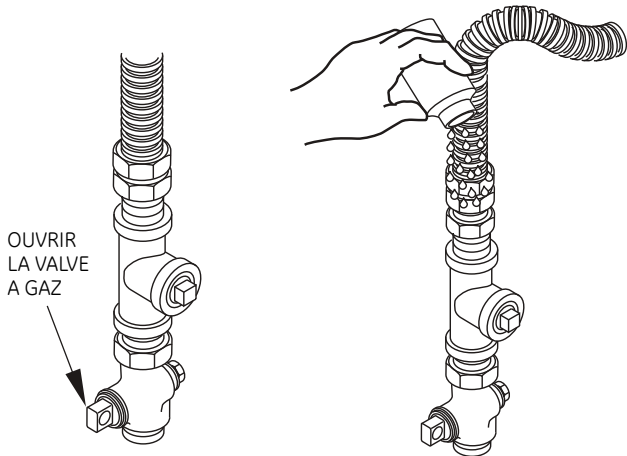


SERRER TOUS LES CONNECTEURS EN UTILISANT 2 CLÉS À MOLETTE. NE PAS SUR-SERREZ PAS LES CONNECTEURS DE GAZ

Instructions d'Installation

4 TEST DE LA FUITE

⚠ AVERTISSEMENT: NE JAMAIS UTILISER UNE FLAMME POUR TESTER S'IL Y A DES FUITES DE GAZ.



Vérifiez s'il y a des fuites à tous les branchements avec du savon ou un produit équivalent. Appliquez la solution de savon. Des bulles indiquent une fuite. **Le test de la fuite ne doit pas contenir d'ammoniac car ceci pourrait causer des dégâts aux accessoires en cuivre.** Si des fuites sont rencontrées, resserrez les joints, et répétez le test du savon

5 INFORMATION CONCERNANT LE BRANCHEMENT ELECTRIQUE

⚠ AVERTISSEMENT - POUR REDUIRE LES RISQUES D'INCENDIE, DE DECHARGE ELECTRIQUE ET DE BLESSURE PERSONNELLE :

- N'UTILISEZ PAS DE RALONGE ELECTRIQUE OU D'ADAPTATEUR AVEC CET APPAREIL.

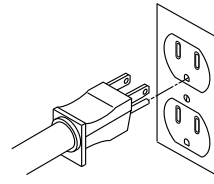
Cet appareil doit être branché à la terre conformément aux normes locales et ordonnances, ou dans l'absence de normes locales, conformément AUX NORMES ELECTRIQUES NATIONALES, ANSI/NFPA NO. 70.

CONDITIONS ELECTRIQUES

Cet appareil doit être branché à une prise électrique 120V, 60Hz, et correctement connectée à la terre, protégée par disjoncteur de 15- ou 20-amp ou un fusible à retardement. Si l'installation électrique ne répond pas aux spécifications ci-dessus, alors appelez un électricien qualifié.

⚠ AVERTISSEMENT - LA SECHEUSE EST EQUIPEE D'UNE PRISE TRIPHASEE (MASSE) POUR VOTRE PROTECTION CONTRE LES RISQUES DE DECHARGES ELECTRIQUES ET DEVRAIT ETRE BRANCHEE DIRECTEMENT AU RECEPTACLE TRIPHASE. NE COUPEZ PAS ET N'ENLEVEZ PAS LA DENT CORRESPONDANT A LA MASSE SUR LA PRISE.

5 INFORMATION CONCERNANT LE BRANCHEMENT ELECTRIQUE



ASSUREZ-VOUS QU'IL EXISTE UNE PRISE A LA TERRE AVANT UTILISATION

INSTRUCTIONS DE MASSE

Cet appareil doit être mis à la terre. En cas de défaillance ou de panne, la terre réduira le risque de choc électrique en fournissant un chemin de moindre résistance du courant électrique. Cet appareil est équipé d'un cordon comportant un conducteur de terre et une fiche de terre. La fiche doit être branchée dans une prise appropriée, correctement installée et mise en conformité avec tous les codes locaux une des ordonnances.

⚠ AVERTISSEMENT - Une mauvaise connexion du conducteur de terre peut entraîner un risque de choc électrique. Consultez un électricien ou un réparateur qualifié si vous êtes dans le doute quant à savoir si l'appareil est correctement mise à la terre.

Ne pas modifier la fiche fournie avec l'appareil - si elle n'entre pas dans la prise, faites installer une prise adéquate par un électricien qualifié.

6 INFORMATION D'ECHAPPEMENT

⚠ AVERTISSEMENT - AU CANADA ET AUX USA, LE DIAMETRE DU TUYAU D'ECHAPPEMENT REQUIS EST 4" (102mm). N'UTILISEZ PAS DE TUYAU PLUS GRAND QUE LA TAILLE SPECIFIEE DANS LE TABLEAU DE LONGUEUR D'ECHAPPEMENT. En utilisant un tuyau d'échappement plus grand que la longueur spécifiée, cela :

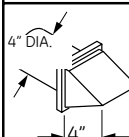
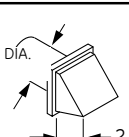
- Augmentera le temps de séchage et les dépenses en énergie.
- Réduira la durée de vie de la sècheuse.
- Accumulera les peluches, créant un risque potentiel d'incendie.

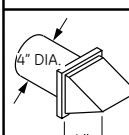
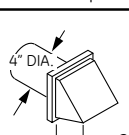
L'installation correcte d'échappement est VOTRE RESPONSABILITE. Les problèmes dus à une installation incorrecte ne sont pas couverts par la garantie.

Enlevez et débarrassez-vous des plastiques existants ou du tuyau de transition en feuilles de métal et remplacez-le par un tuyau de transition UL. La longueur de tuyau MAXIMUM AUTORISEE et le nombre de coudes du système d'échappement dépend du type de tuyau, du nombre de courbes, du type du capuchon d'échappement (bouchon du mur) et des conditions présentées ci-dessous. La longueur maximum du tuyau pour les tuyaux rigide en métal est montrée dans le tableau cidessous.

Instructions d'Installation

6 INFORMATION D'ÉCHAPPEMENT (CONT.)

27" LONGUEUR D'ÉCHAPPEMENT		
LONGUEUR MAXIMUM RECOMMANDÉE		
RECOMMANDÉE	Utilise seulement pour les Installations de petites distances	
		
N° de coudes à 90°	Métal rigide	Métal rigide
0	56 Feet	42 Feet
1	44 Feet	32 Feet
2	34 Feet	25 Feet
3	24 Feet	18 Feet

24" LONGUEUR D'ÉCHAPPEMENT		
LONGUEUR MAXIMUM RECOMMANDÉE		
RECOMMANDÉE	Utilise seulement pour les Installations de petites distances	
		
N° de coudes à 90°	Métal rigide	Métal rigide
0	43 Feet	36 Feet
1	33 Feet	26 Feet
2	24 Feet	16 Feet

LISTE DE CONTROLE DU SYSTEME D'ÉCHAPPEMENT

CAPUCHON OU GRILLE DU MUR

- Protégez la sortie de votre canalisation dans le but d'éviter les appels d'air ou l'entrée d'un oiseau et autres animaux sauvages.
- Cette protection devrait présenter une résistance minimum au flux d'air d'échappement et devrait exiger peu ou pas de maintenance pour éviter l'encrassement.
- Ne Jamais installez d'écran dans ou sur le tuyau d'échappement. Ceci pourrait conduire à la création de peluches. Les grilles du mur doivent être installées au moins à 12 in. Au-dessus du niveau du sol ou à cette distance au-dessus de n'importe quel autre objet pouvant faire obstruction à cette sortie.

SEPARATION DES COUDES

Pour une meilleure performance, séparez tous les coudes d'au moins 4 ft. De tuyauterie droite, incluant la distance entre le dernier coude et le capuchon du système d'échappement.

COUDES AUTRES QUE 90°

- Un coude de 45° ou moins peut être ignoré
- Deux coudes de 45° devraient être traités comme un coude de 90°.
- Chaque coude de plus de 45° devrait être traité comme un coude de 90°.

SCÉLAGE DES JOINTS

- Tous les joints devraient être serrés pour éviter les fuites. L'extrémité mâle de chaque section de tuyau doit être dirigée vers l'extérieur de la sècheuse.
- N'assemblez pas la canalisation avec des agrafes qui entrent dans le tuyau. Elles serviront à la création de peluches.
- Les joints de tuyaux peuvent être faits d'air et de moisissures en emballant le chevauchement de joints avec le rouleau adhésif de tuyau.
- Les trajets horizontaux devraient descendre vers l'extérieur de 1/2 pouce par pied.

ISOLATION

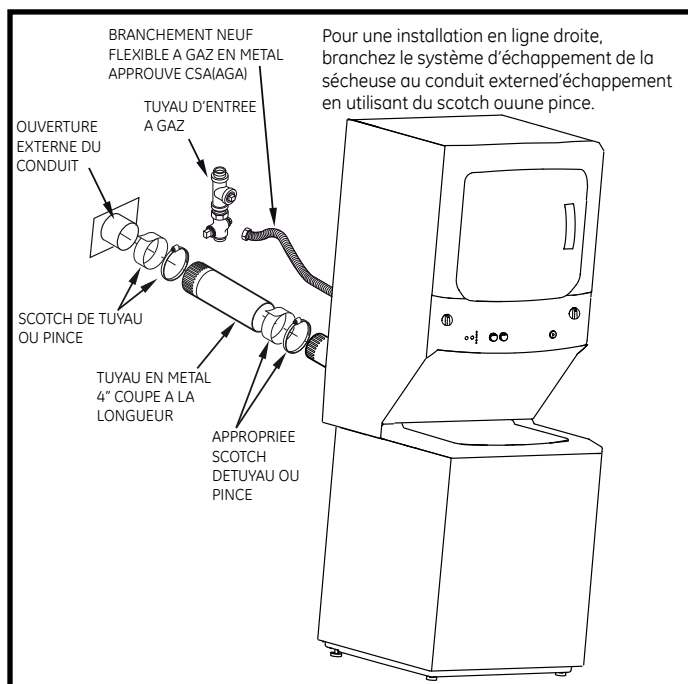
La canalisation qui court à travers une zone non chauffée ou qui est près de l'air conditionné devrait être isolée pour réduire la condensation et la création de peluches

7 BRANCHEMENT DE L'ÉCHAPPEMENT

⚠ AVERTISSEMENT - POUR RÉDUIRE LES RISQUES D'INCENDIE OU DE BLESSURES PERSONNELLES :

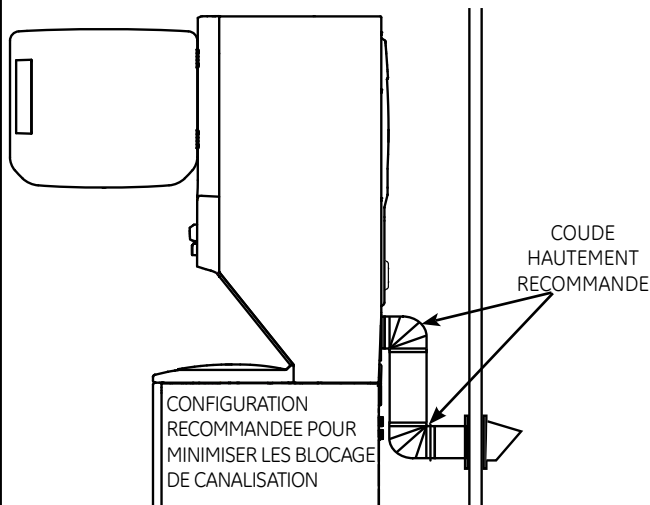
- Cet appareil doit avoir un système d'échappement vers l'extérieur.
- Utilisez seulement de la tuyauterie rigide en métal de 4" pour le tuyau d'échappement de la maison.
- Utilisez seulement un tuyau rigide en métal ou un tuyau flexible UL (semi-rigide ou en aluminium) pour brancher la sècheuse au tuyau d'échappement de la maison. Il doit être installé conformément aux instructions trouvées en page 7 de ce manuel sous "Brancher La Sècheuse au Conduit d'Aération de la Maison".
- Ne mettez pas fin à l'échappement par une cheminée, un mur, un toit, un conduit de gaz, un petit espace, un grenier, sous un plancher non fermé, ou dans n'importe quel autre espace dissimulé de votre bâtiment. La charpie accumulée pourrait créer un risque potentiel d'incendie.
- Ne jamais mettre fin à l'échappement par un tuyau commun avec le système d'échappement de la cuisine. Une combinaison de graisses et de peluches créer un risque potentiel d'incendie.
- N'utilisez pas de tuyau plus grand que ce qui est spécifié dans le tableau de grandeur d'échappement. Des tuyaux plus grands peuvent permettre l'accumulation de peluches et créer un risque d'incendie potentiel.
- Ne jamais installer un écran dans ou sur le tuyau d'échappement. Ceci causera l'accumulation de peluches, créant un risque potentiel d'incendie. N'assemblez pas la canalisation avec des agrafes qui entrent dans le tuyau. Ces agrafes peuvent créer l'accumulation de peluches, créant un risque d'incendie. N'obstruez pas l'air entrant et sortant. Mettez à disposition un accès pour inspecter et nettoyer le système d'échappement, spécialement aux coudes et aux joints. Le système d'échappement devrait être inspecté et nettoyé au moins une fois par an.

L'ÉCHAPPEMENT ARRIÈRE FAIT PARTIE DE CETTE SÈCHEUSE. SI VOTRE ESPACE EST LIMITE, UTILISEZ LES INSTRUCTIONS DE LA SECTION 9 POUR AVOIR UN SYSTÈME D'ÉCHAPPEMENT LATÉRAL OU PAR LE BAS DU COFFRAGE DE LA MACHINE.



Instructions d'Installation

ECHAPPEMENT ARRIERE STANDARD (Ventilé au-dessous du niveau du sol)



NOTE : LES COUDES EMPECHERONT LES NOEUDS ET LES EFFONDEMENTS DU CONDUIT.

3. Ayant l'appareil à sa position finale, placez un niveau au-dessus au fond du couvercle de la laveuse et vérifiez de chaque côté, puis vérifiez l'avant et l'arrière. Vissez les pieds de nivellement avant pour assurer que l'appareil reste stable sur ses quatre pieds (ne balancez pas l'appareil pour vérifier sa stabilité), relevez les écrous de verrou sur chaque pied vers la base de l'unité et assurez avec un tourne-à-gauche.

Note : Gardez l'extension de pied au minimum pour éviter les vibrations excessives. Plus les pieds sont agrandis, plus l'unité a de chance de vibrer.

BRANCHER LA SECHEUSE A L'AERATION DE LA MAISON

TUYAU RIGIDE DE TRANSITION EN METAL

- Pour les meilleures performances de séchage possibles, le tuyau de transition rigide en métal est recommandé.
- Les tuyaux de transition rigides en métal réduisent le risque d'écrasement et de noeuds.

TUYAU DE TRANSITION UL FLEXIBLE EN METAL (SEMI-RIGIDE)

- Si le tuyau rigide en métal ne peut pas être utilisé, alors le tuyau UL flexible en métal (semi-rigide) peut être utilisé (Kit WX08X10077).
- Ne jamais installer de tuyau flexible en métal au mur, au plafond, aux sols ou autres espaces fermés.
- La longueur du tuyau flexible en métal ne devrait pas excéder 8 pieds (2,4m).
- Pour plusieurs applications, installer des coudes à la fois à la sècheuse et au mur est fortement recommandé (voir illustration cidessous). Les coudes permettent à l'appareil d'être placé près du mur sans faire de noeuds et/ou écraser le tuyau de transition, maximisant les performances de séchage.
- Evitez de pauser le tuyau dur des objets coupants.

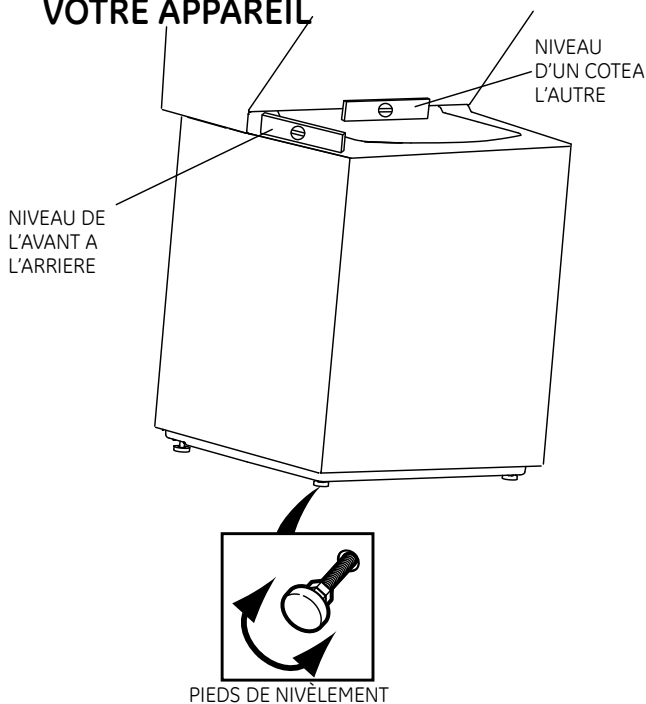
LE TUYAU DE TRANSITION UL FLEXIBLE EN METAL (ALUMINIUM)

- Pour des installations spéciales, il peut être nécessaire de brancher la sècheuse à l'aération de la maison utilisant un tuyau flexible en métal (aluminium). Un tuyau UL flexible en métal (semi-rigide) ne peut pas être utilisé ET ceci où un diamètre de 4" peut être maintenu tout au long du tuyau.
- Au Canada et aux USA, seulement les tuyaux flexibles en métal (aluminium) qui se plient à "Description Générale du Tuyau de Transition de la Laveuse de Vêtements du Sujet 2158A" devrait être utilisé.

Ne jamais installer de tuyau flexible en métal sur les murs, les plafonds, les sols ou autres espaces fermés.

- La longueur du tuyau flexible en métal ne devrait pas excéder 8 pieds (2,4m).
- Evitez de pauser le tuyau dur des objets coupants.
- Pour les meilleures performances possibles :
 1. Faites glisser une extrémité du tuyau sur le conduit extérieur de la sècheuse de vêtements
 2. Fixez le tuyau avec une pince.
 3. Ayant la sècheuse dans sa position permanente, prolongez le tuyau vers sa longueur maximum. Laissez 2" de tuyau se chevaucher avec le conduit d'échappement. Coupez et enlevez l'excès de tuyau. Gardez le tuyau aussi droit que possible pour maximiser le flux d'air.
 4. Fixez le tuyau au conduit d'échappement avec l'autre pince.

8 METTRE A NIVEAU ET STABILISER VOTRE APPAREIL



Mettre à niveau et stabiliser votre appareil

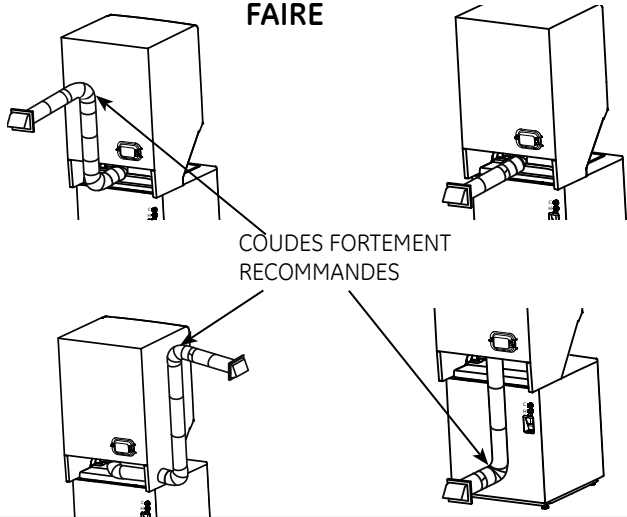
1. Déplacez prudemment l'appareil vers sa position finale. Balancez avec douceur l'appareil en position. Il est important de ne pas endommager les pieds de nivellement en caoutchouc lorsque vous déplacez votre appareil vers sa position finale. Les pieds endommagés peuvent augmenter les vibrations de l'appareil. Il peut être utile de pulvériser un nettoyeur de vitre sur le sol pour aider à déplacer votre appareil vers sa position finale.

Note : N'utilisez pas la protection de la laveuse pour porter l'unité.

2. Pour assurer que l'appareil est à niveau et stable sur ses quatre pieds, inclinez l'appareil vers l'avant pour que les pieds arrière soient hors du sol. Redescendez en douceur l'appareil pour permettre aux pieds arrière de s'ajuster seuls.

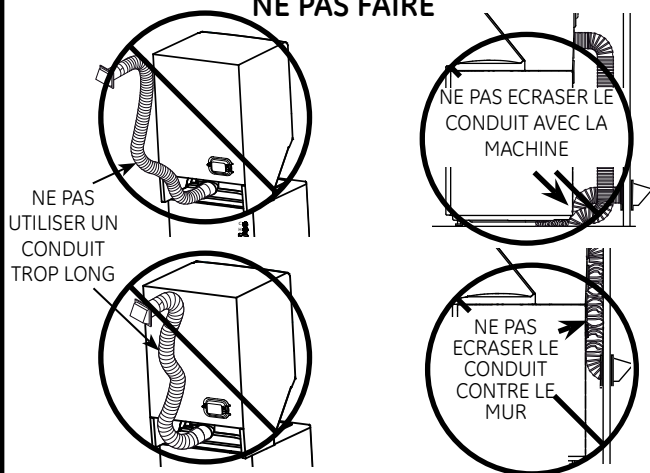
Instructions d'Installation

FAIRE



COUDES FORTEMENT RECOMMANDES

NE PAS FAIRE



NE PAS UTILISER UN CONDUIT TROP LONG

NE PAS ECRASER LE CONDUIT AVEC LA MACHINE

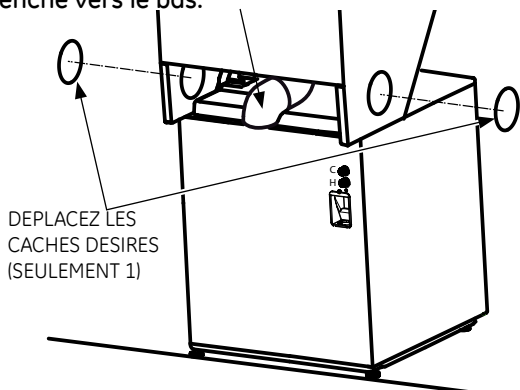
NE PAS ECRASER LE CONDUIT CONTRE LE MUR

9 UNIQUEMENT POUR MODELES DE 24 PO

ECHAPPEMENT DE LA SECHEUSE PAR LA DROITE, PAR LA GAUCHE OU PAR LE HAUT DE COFFRAGE

AVERTISSEMENT- AVANT DE REALISER L'INSTALLATION DE L'ECHAPPEMENT, ASSUREZ-VOUS DE DEBRANCHER LA SECHEUSE DE L'ALIMENTATION ELECTRIQUE. PROTEGEZ VOS MAINS ET VOS BRAS DES PARTIES COUPANTES LORSQUE VOUS TRAVAILLEZ DANS LE COFFRAGE. ASSUREZ-VOUS DE PORTER DES GANTS.

Pour une aération vers le bas, faites pivoter les sections du coude pour que ce même coude penche vers le bas.



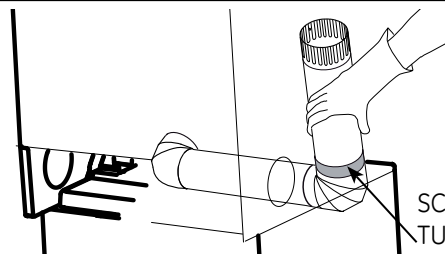
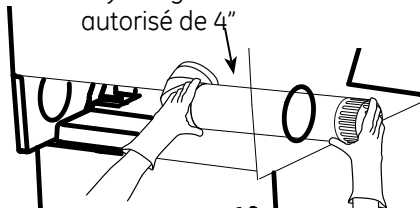
DEPLACEZ LES CACHES DESIRES (SEULEMENT 1)

AJOUTER LE COUDE ET LE TUYAU POUR L'ECHAPPEMENT PAR LA GAUCHE OU PAR LA DROITE DU COFFRAGE

- Pour la canalisation de côté, enlevez le cache (SEULEMENT 1). Faites pivoter les sections du coude afin qu'il soit dans la direction désirée. Préparez l'assemblage du coude de 4" avec le tuyau de 4". Utilisez seulement le tuyau UL rigide en métal approuvé pour la canalisation de la sècheuse.
- Insérez l'assemblage du tuyau par l'ouverture et branchez le coude interne.

AVERTISSEMENT - Assurez-vous de ne pas tirer ou endommager les fils électriques à l'intérieur de la sècheuse lorsque vous insérez le tuyau.

Tuyau rigide UL en métal autorisé de 4"

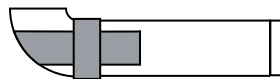


SCOTCH A TUYAU

- Appliquez le rouleau adhésif comme il est montré sur le joint entre le tuyau interne de la sècheuse et le conduit.

AVERTISSEMENT -

Les joints du tuyau interne doivent être bien attachés avec du scotch, sinon ils pourraient se séparer ou causer un risque pour la sécurité des personnes et de la machine.

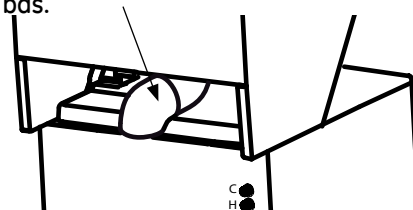


UNIQUEMENT POUR MODELES DE 27 PO

ECHAPPEMENT DE LA SECHEUSE PAR LA DROITE, PAR LA GAUCHE OU PAR LE HAUT DE COFFRAGE

AVERTISSEMENT- AVANT DE REALISER L'INSTALLATION DE L'ECHAPPEMENT, ASSUREZ-VOUS DE DEBRANCHER LA SECHEUSE DE L'ALIMENTATION ELECTRIQUE. PROTEGEZ VOS MAINS ET VOS BRAS DES PARTIES COUPANTES LORSQUE VOUS TRAVAILLEZ DANS LE COFFRAGE. ASSUREZ-VOUS DE PORTER DES GANTS.

Pour une aération vers le bas, faites pivoter les sections du coude pour que ce même coude penche vers le bas.



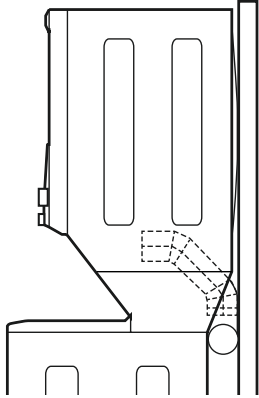
C
H

Instructions d'Installation

AJOUTER LE COUDE ET LE TUYAU POUR L'ÉCHAPPEMENT PAR LA GAUCHE OU PAR LA DROITE DU COFFRAGE

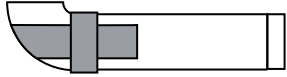
- Faites pivoter les sections du coude afin qu'il penche vers le côté que vous désirez aérer. Faites pivoter les sections du coude afin qu'il soit dans la direction désirée. Préparez l'assemblage du coude de 4" avec le tuyau de 4". Utilisez seulement le tuyau UL rigide en métal approuvé pour la canalisation de la sécheuse.
- Connectez l'assemblage de tuyau au coude interne.

⚠ AVERTISSEMENT - Assurez-vous de ne pas tirer ou endommager les fils électriques à l'intérieur de la sécheuse lorsque vous insérez le tuyau.



- Appliquez le rouleau adhésif comme il est montré sur le joint entre le tuyau interne de la sécheuse et le conduit.

⚠ AVERTISSEMENT - Les joints du tuyau interne doivent être bien attachés avec du scotch, sinon ils pourraient se séparer ou causer un risque pour la sécurité des personnes et de la machine.



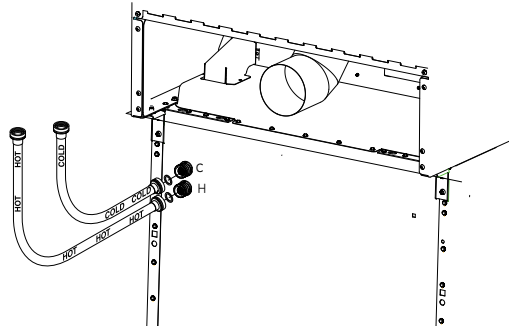
10 INFORMATION SUR LA PLOMBERIE CONDITIONS DE L'APPROVISIONEMENT EN EAU

- ROBINETS D'EAU CHAUDE ET FROIDE - Ils doivent être à moins de 42" des branchements de l'appareil pour l'arrivée d'eau. Les robinets doivent être 3/4" de la tuyauterie du jardin afin que les tuyaux internes puissent être branchés.
- PRESSION DE L'EAU - Elle doit être entre 10 et 120psi avec un maximum de pression déséquilibrée, un flux d'eau chaude et un flux d'eau froide, de 10 psi.
- TEMPERATURE DE L'EAU - Le chauffe-eau devrait être configuré pour distribuer une eau de 140° à 150°F (60° à 66°C) à la laveuse lorsque l'option de lavage CHAUD est sélectionnée.
- VALVES DE FERMETURE - Les valves de fermeture d'eau chaude et d'eau froide devraient être fournies.
- EMBLACEMENT - N'installez pas l'appareil dans une zone où la température sera en-dessous de zéro. Si l'appareil est gardé ou transporté avec des températures en-dessous de zéro, assurez-vous que toute l'eau depuis le remplissage jusqu'au système de drainage a été enlevée.

CONDITIONS DE DRAINAGE

- RAPPORT DE DRAINAGE - Le drainage et le tuyau de rejet à l'égout doivent être capable d'accepter un écoulement d'un rapport de 16 gallons par minute.
- TAILLE DU DRAINAGE - La taille du drainage doit être de 33" minimum et de 96" maximum.
- DIAMETRE DU TUYAU DE REJET A L'ÉGOUT - Le diamètre du tuyau de rejet à l'égout doit être de 1-1/4" minimum. Il DOIT y avoir un espace d'air autour du conduit de drainage dans le tuyau de rejet à l'égout. Une coupure peut causer un effet de siphon.
- KIT BRISE-SIPHON - Pour une installation de drainage inférieure à 33" de hauteur, le tuyau, la connexion et les pinces fournies dans l'appareil doivent être utilisés et, de plus, un brise-siphon DOIT être installé au dos de la machine. Utilisez le Kit Brise-Siphon WH49X228 et suivez les instructions du kit.

11 BRANCHER LA PLOMBERIE



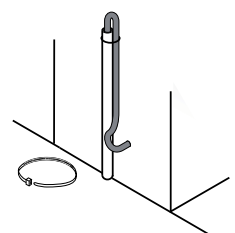
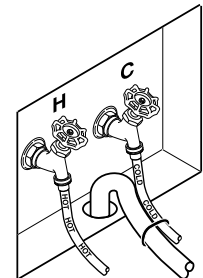
Installez si nécessaire les joints en caoutchouc à l'extrémité de l'arrivée d'eau chaude sur la machine. Introduisez le tuyau d'eau sur le branchement marqué de la lettre C dans le coin en haut de la machine. Serrez à la main, et ajoutez 1/8 de tour avec une pince.

Installez si nécessaire les joints en caoutchouc à l'extrémité de l'arrivée d'eau froide sur la machine. Introduisez le tuyau d'eau sur le branchement marqué de la lettre H dans le coin en haut de la machine. Serrez à la main, et ajoutez 1/8 de tour avec une pince.

Déplacez l'appareil au plus proche de sa portion finale si possible, laissant de la place pour que vous puissiez faire les branchements d'eau, de drainage, électrique et de ventilation dans votre maison.

NOTE: Si un conduit de drainage plus grand est requis, commandez le kit d'extension de conduit de drainage, numéro de produit GE WH49X301.

Branchez un conduit additionnel de drainage (inclut dans le kit) au conduit original avec des pinces de conduit (inclut dans le kit). Incrénez un tuyau de vidange à la canalisation de drainage de votre maison pour fermer le tuyau de drainage (ne pas assurer l'étanchéité des tuyaux pour éviter de créer un effet de siphon). Si les valves d'eau et le drainage construit dans le mur, attachez le tuyau de drainage à l'un des tuyaux d'eau avec le collier en plastique inclus (fixé face à face). Si votre drainage est un tuyau de rejet à l'égout, attachez le tuyau de drainage au tuyau de rejet à l'égout avec un collier en plastique inclus

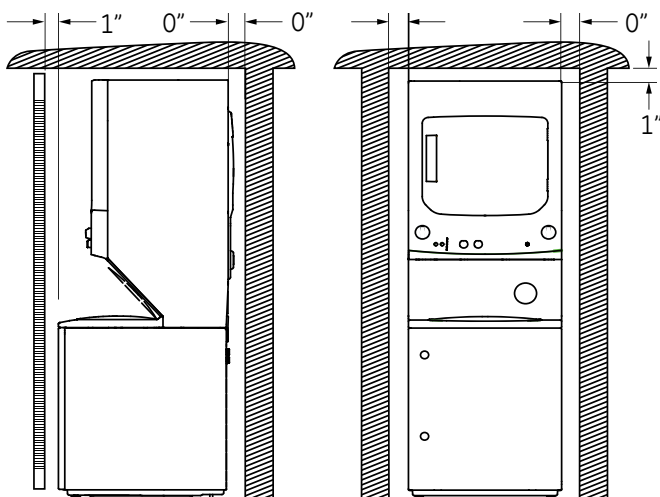


Instructions d'Installation

12 INSTALLATION POUR LES MOBILES HOMES

- L'installation DOIT être conforme aux STANDARDS DE CONSTRUCTION ET DE SECURITE DU MOBILE HOME, TITRE 24, PARTIE 32-80 ou, lorsque de tels standards ne sont pas applicables, il faut alors considérer LES STANDARDS NATIONAUX AMERICAINS POUR LES MOBILES HOMES, ANSI/NFPA NO. 501B.
- L'appareil DOIT être ventilé vers l'extérieur avec une sortie sécurisée fixée à la structure du mobile home.
- La ventilation NE DOIT PAS sortir par le dessous du mobile home.
- Le matériel du conduit d'aération DOIT ETRE DE METAL.
- Kit 14-D346-33 doit être utilisé pour attacher la sècheuse à la structure de façon sécuritaire.
- La ventilation NE DOIT PAS être connectée à aucun autre conduit d'évacuation des gaz brûlés ou à une cheminée.
- N'utilisez pas de vises pour le métal en feuille ou qui dépassent à l'intérieur du conduit d'évacuation.
- Prévoyez une ouverture de minimum 25 pouces carrés ou l'introduction de l'air de l'extérieur dans la chambre où se trouve la sècheuse.

13 RENFORCEMENT OU INSTALLATION DANS UN MEUBLE



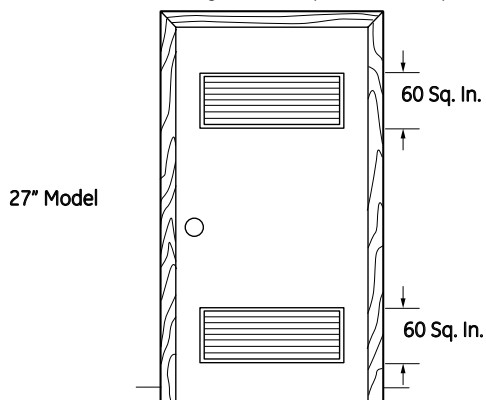
- Si votre appareil est autorisé pour une installation dans un emplacement ou un meuble, cela sera indiqué sur la plaque au dos de l'appareil.
- **POUR EVITER UN GRAND NOMBRE DE PELUCHES ET D'HUMIDITE CAUSES PAR L'ACCUMULATION ET POUR MAINTENIR L'EFFICACITE DE SECHAGE, CETTE MACHINE DOIT AVOIR UN SYSTEME D'ECHAPPEMENT VERS L'EXTERIEUR.**
- N'installez pas cet appareil s'il vous manque l'espace minimum tel qu'il est montré ci-dessus.

UNE ATTENTION PARTICULIERE DOIT ETREPRISE POUR ASSURER DES ESPACES ADEQUATS POUR L'INSTALLATION ET LA REPARATION

⚠ AVERTISSEMENT : N'INSTALLEZ PAS CET APPAREIL DANS UN MEUBLE AYANT UNE PORTE.

13 VENTILATION DE L'OUVERTURE DE PORTE (MODELES 27")

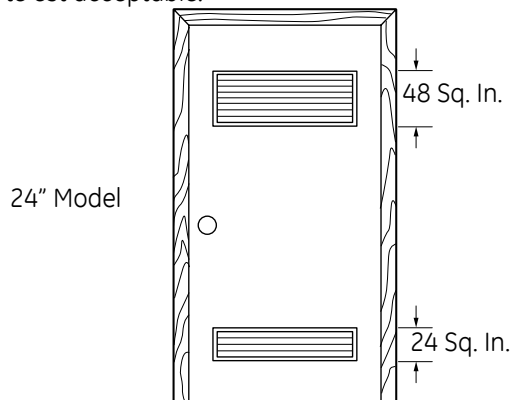
Un minimum de 120 Sq. In. d'ouverture, divisé à part égale en haut et en bas, est requis. Les ouvertures d'air sont tenues d'être dégagées lorsqu'une porte est installée. Une porte persienne avec d'ouvertures d'air équivalentes sur toute la longueur de la porte est acceptable.



Lorsque les persiennes ou les gonds sont placés sur les ouvertures de la porte, les ouvertures d'air des persiennes ou des gonds doit être égale à 120 Sq. In.

VENTILATION DE L'OUVERTURE DE PORTE (MODELES 24")

Un minimum de 72 Sq. In. d'ouverture est requis. Les ouvertures d'air sont tenues d'être dégagées lorsqu'une porte est installée. Une porte persienne avec des ouvertures d'air équivalentes sur toute la longueur de la porte est acceptable.



Lorsque les persiennes ou les gonds sont placés dans les ouvertures de la porte, les ouvertures d'air des persiennes ou des gonds doivent être égale à 72 Sq. In.

14 INSTALLATION POUR SALLE DE BAIN OU CHAMBRE

- L'appareil DOIT être ventilé vers l'extérieur. Voir *INFORMATION D'ECHAPPEMENT* des sections 3 & 4.
- L'installation doit être conforme aux normes locales ou, dans l'absence de ces normes locales, aux NORMES NATIONALES ELECTRIQUES, ANSI/NFPA NO. 70.

Instructions d'Installation

15 REPARATION

⚠ AVERTISSEMENT – MARQUEZ TOUS LES FILS AVANT LE DEBRANCHEMENT LORSQUE VOUS EFFECTUEZ UN CONTROLE POUR REPARATION. LES ERREURS DE BRANCHEMENT PEUVENT CAUSEES DES PROBLEMES DE FONCTIONNEMENT APRES REPARATION ET D'INSTALLATION.

Pour les pièces de rechange et autres informations, veuillez reporter au Manuel de l'Utilisateur pour les numéros de téléphone du service après vente.

ENREGISTREZ VOTRE NOUVEL APPAREIL POUR QUE VOUS RECEVIEZ DES INFORMATIONS IMPORTANTES SUR LE PRODUIT.

Allez, SVP, sur notre site www.GEAppliances.com ou envoyez par la poste votre Carte d'inscription du produit.

Pour des questions sur l'installation, composez:
800.626.2000 (É.U.) ou 800.561.3344 (Canada)

Instrucciones de Instalación

Secadora Unificada a Lavadora/Gas



¿Preguntas sobre la Instalación? Llame al: 1-800-GEARES (US)
O visite nuestro sitio web en: www.GEApliances.com (US)

ANTES DE COMENZAR

Lea estas instrucciones en su totalidad y atentamente.

- **IMPORTANTE**- Conserve estas instrucciones para uso del inspector local.
- **IMPORTANTE**- Cumpla con todos los códigos y ordenanzas gubernamentales.
- **Nota para el Instalador** - Asegúrese de que el comprador conserve estas instrucciones.
- **Nota para el Consumidor** - Guarde estas instrucciones en su Libro de Uso y Cuidado para referencia futura.
- Antes de dejar este electrodoméstico fuera de servicio o de deshacerse del mismo, quite la puerta de la lavadora y la secadora.
- Inspeccione la salida del escape de la secadora y ajuste la conexión a las salidas de pared si se encuentran inclinadas.
- La información del servicio y el diagrama de cableado se encuentran ubicados en el panel de acceso.
- No permita que haya niños sobre ni dentro del electrodoméstico. Cuando el electrodoméstico se use cerca de niños, será necesario supervisarlos.
- Instale la secadora donde la temperatura supere los 50°F (10°C), para un funcionamiento satisfactorio del sistema de control de la secadora.

⚠️ ADVERTENCIA RIESGO DE INCENDIO

- A fin de reducir el riesgo de lesiones graves o la muerte, siga todas las instrucciones de instalación.
- La instalación de electrodomésticos debe ser realizada por un técnico calificado.
- Instale el electrodoméstico para prendas de acuerdo con estas instrucciones y de acuerdo con los códigos locales. En la ausencia de los códigos locales, la instalación deberá cumplir con el Código Nacional de Gas Combustible (National Fuel Gas Code), ANSI Z223.1/NFPA 54 o con el Código de Instalación de Gas Natural y Propano (Canadian Natural Gas and Propane Installation Code), CSA B149.1.
- Ley de Agua Potable Inocua y Tratamiento de Residuos Tóxicos de California (California Safe Drinking Water and Toxic Enforcement Act). Esta ley solicita al Gobernador de California que publique una lista de sustancias que el estado reconoce como cancerígenas, que producen defectos de nacimiento u otros daños reproductivos y solicita a los empresarios que adviertan a sus clientes sobre la posible exposición a tales sustancias. Los artefactos a gas pueden causar exposiciones menores a cuatro de estas sustancias, las cuales son el benceno, monóxido de carbono, formaldehído y hollín, producidas principalmente por la combustión incompleta de gas natural o combustibles LP. Las secadoras ajustadas adecuadamente minimizarán la posibilidad de combustión incompleta. La exposición a estas sustancias puede ser minimizada aún más gracias a una adecuada ventilación de la secadora al aire libre.
- Este electrodoméstico deberá contar con un escape hacia el exterior.
- Use sólo un conducto de metal rígido de 4" para que el electrodoméstico cuente con una salida al exterior.
- NO instale una secadora de ropa con materiales de conducto plástico flexible. Si se instala un conducto de metal flexible (semi-rígido o tipo hoja de aluminio), deberá figurar en la lista de UL y ser instalado de acuerdo con las instrucciones que figuran en "Conexión de la Secadora a la Ventilación de la Casa" en la página 8 de este manual. Se sabe que los materiales flexibles para ventilación colapsan, se rompen con facilidad, y atrapan las pelusas. Estas condiciones obstruirán el flujo de aire de la secadora e incrementarán el riesgo de incendio.
- No instale ni guarde este electrodoméstico en ninguna ubicación donde pudiera encontrarse expuesto al agua y/o los factores climáticos.
- Guarde estas instrucciones. (Instaladores: Asegúrense de que estas instrucciones lleguen a manos del comprador).

HERRAMIENTAS NECESARIAS



LLAVES AJUSTABLES DE 10" (x2)

LLAVE INGLESA DE 8"

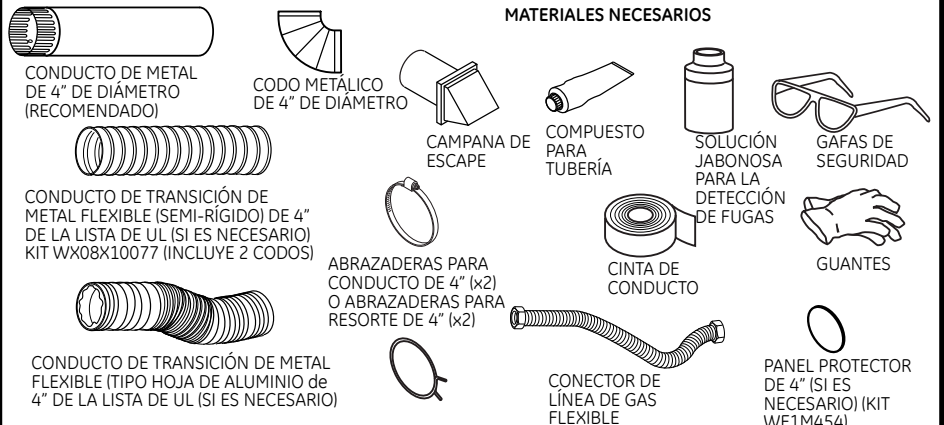
NIVEL

PINZA CON JUNTA DESLIZANTE

DESTORNILLADOR DE CABEZA PLANA

Llave para Turcas de 1/4"

MATERIALES NECESARIOS



CONDUCTO DE METAL DE 4" DE DIÁMETRO (RECOMENDADO)

CODO METÁLICO DE 4" DE DIÁMETRO

CAMPANA DE ESCAPE

COMPUESTO PARA TUBERÍA

SOLUCIÓN JABONOSA PARA LA DETECCIÓN DE FUGAS

GAFAS DE SEGURIDAD

CONDUCTO DE TRANSICIÓN DE METAL FLEXIBLE (SEMI-RÍGIDO) DE 4" DE LA LISTA DE UL (SI ES NECESARIO) KIT WX08X10077 (INCLUYE 2 CODOS)

ABRAZADERAS PARA CONDUCTO DE 4" (x2) O ABRAZADERAS PARA RESORTE DE 4" (x2)

CINTA DE CONDUCTO

GUANTES

CONDUCTO DE TRANSICIÓN DE METAL FLEXIBLE (TIPO HOJA DE ALUMINIO) DE 4" DE LA LISTA DE UL (SI ES NECESARIO)

ABRAZADERAS PARA CONDUCTO DE 4" (x2) O ABRAZADERAS PARA RESORTE DE 4" (x2)

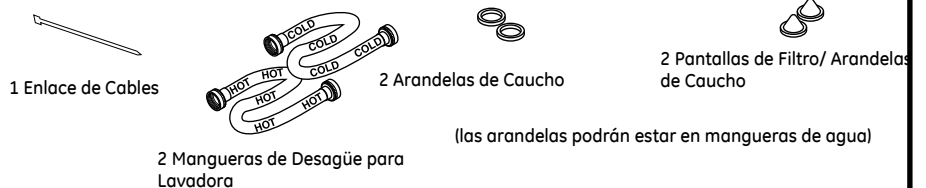
CONECTOR DE LÍNEA DE GAS FLEXIBLE

PANEL PROTECTOR DE 4" (SI ES NECESARIO) (KIT WE1M454)

En la Mancomunidad de Massachusetts:

- Instalación deberá ser realizada por un contratista calificado o con licencia, un plomero calificado o con licencia del estado.
- Cuando use válvulas esféricas de apagado de gas, deberán ser del tipo de manija en T.
- Si se usa una conexión flexible para gas, ésta no debe superar los 3 pies.

PIEZAS PROVISTAS



1 Enlace de Cables

2 Arandelas de Caucho

2 Pantallas de Filtro/ Arandelas de Caucho

2 Mangueras de Desagüe para Lavadora

(las arandelas podrán estar en mangueras de agua)

Instrucciones de Instalación

REQUISITOS DE INSTALACIÓN UBICACIÓN

Este electrodoméstico se debe instalar en un piso firme a fin de minimizar la vibración durante el ciclo de centrifugado. Se recomienda piso de concreto, pero una base de madera es suficiente, siempre que dicho piso cumpla con los estándares de FHA. Este electrodoméstico no se deberá instalar sobre tapetes ni estar expuesto a la interperie.

PLOMERÍA

PRESIÓN DEL AGUA – Debe ser de un mínimo de 20 psi y un máximo de 120 psi **PRESIÓN DEL AGUA** – El calentador de agua del hogar deberá estar configurado para que el agua esté entre 120° y 150°F (50° y 66°C) **EN LA LAVADORA** cuando se seleccione lavado caliente. **VÁLVULAS DE CIERRE** – Tanto la válvula de cierre de agua caliente como la de agua fría (grifos) deberán ser suministradas. **DRENAJE** – El agua podrá ser drenada al tubo de subida o el tubo configurado. La altura de descarga **NO DEBERÁ SER INFERIOR A 30 PULGADAS**, o no más de 6 pies sobre la base de la lavadora. El tubo de subida debe ser de un mínimo de 1-1/2 pulgadas dentro del diámetro y deberá estar abierto a la atmósfera.

REQUISITOS ELÉCTRICOS

PRECAUCIÓN: Antes de enchufar en el agua, lea y siga los requisitos eléctricos.

PRECAUCIÓN: Para su seguridad personal, no use extensiones ni enchufes adaptadores con este electrodoméstico. Nunca, bajo ninguna circunstancia, corte ni elimine el tercer cable (tierra) del cable de corriente. Cumpla con los códigos y ordenanzas nacionales de electricidad. Este electrodoméstico deberá ser provisto con el voltaje y la frecuencia indicados en la placa de especificaciones (ubicada en la parte superior del panel frontal de la lavadora), y estar conectado a un circuito individual que esté adecuadamente conectado a tierra, protegido por un disyuntor o fusible de retardo de 15 o 20 amp. Si el suministro eléctrico provisto no cumple con los requisitos anteriores, llame a un electricista calificado.

- Paso 1 Verifique su Instalación de Gas (consulte la sección 2)
- Paso 2 Prepare el Área y el Escape para la Instalación del Electrodoméstico (consulte la sección 1)
- Paso 3 Controle y Asegúrese de que el Escape Externo Existente esté Limpio (consulte la sección 1) y que Cumpla con las Especificaciones de Instalación Adjuntas (consulte la sección 6).
- Paso 4 Retire las Almohadillas de Gomaespuma de Transporte (consulte la sección 1)
- Paso 5 Mueva la Secadora a la Ubicación Deseada.
- Paso 6 Nivele la Secadora (consulte la sección 8).
- Paso 7 Conecte el Suministro de Gas (consulte la sección 3) y controle que no haya fugas (consulte la sección 4).
- Paso 8 Conecte el Escape Externo (consulte la sección 7).
- Paso 9 Conecte a las instalaciones de plomería (consulte la sección 11).

- Paso 10 Conecte el Cable de Corriente (consulte la sección 5).
- Paso 11 Controle el Funcionamiento del Cable de Corriente, las Conexiones de Gas, y la Ventilación.
- Paso 12 Coloque el Manual del Propietario y las Instrucciones de Instalación en una Ubicación Donde el Propietario las Pueda Encontrar.

Para instalaciones en alcobas o clósets consulte la sección 13.

Para instalaciones en baños o habitaciones consulte la sección 14.

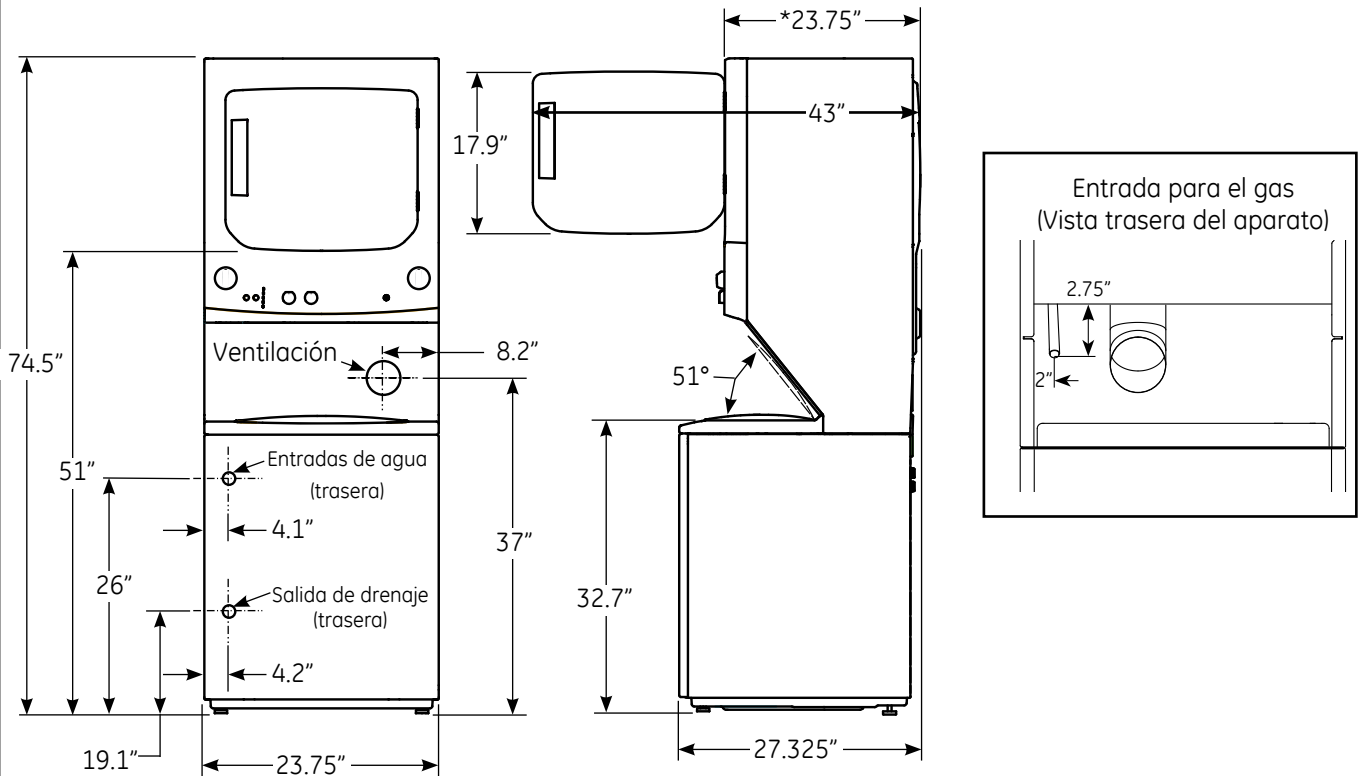
Para Casas Prefabricadas o Casas Móviles consulte la sección 12.

AJUSTE PARA ALTURAS ELEVADAS

- Las clasificaciones de entrada de scadoras para ropa a gas se basan en el funcionamiento a nivel de mar y no deben ajustarse para funcionar a una elevación de 2000 pies o por debajo de la misma. Para un funcionamiento en alturas mayores a 2000 pies, las clasificaciones de entrada deben reducirse a una tasa de 4% por cada 1000 pies sobre el nivel del mar.
- La instalación debe cumplir con códigos y ordenanzas locales, o si no las hubiera, con el CÓDIGO NACIONAL DE GAS COMBUSTIBLE, ANSI Z223.

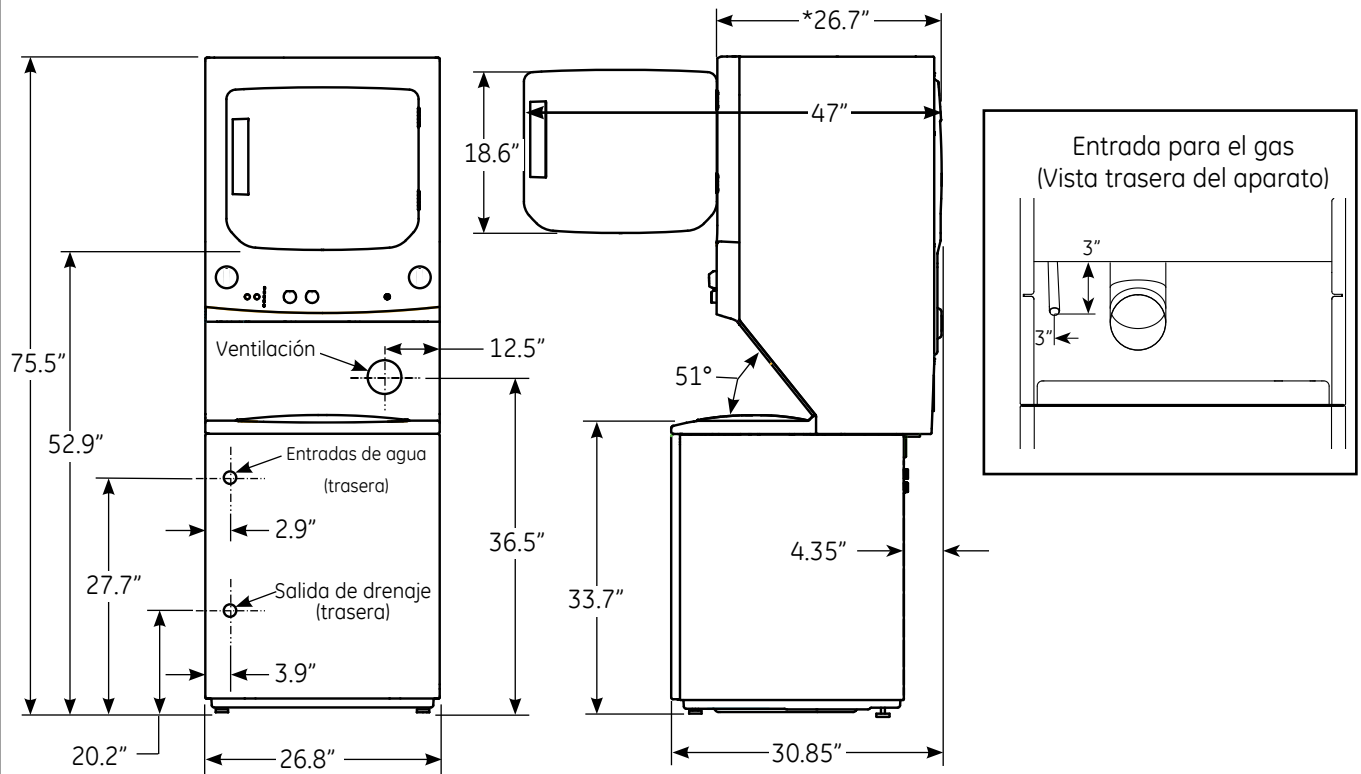
Instrucciones de Instalación

DIMENSIONES NOMINALES DEL PRODUCTO DE 24"



* La dimensión representa la puerta cerrada incluyendo la manija y las perillas.
NOTA: Con las patas en la posición intermedia, éstas se pueden ajustar en ± 0.375 ".

DIMENSIONES NOMINALES DEL PRODUCTO DE 27"



* La dimensión representa la puerta cerrada incluyendo la manija y las perillas.
NOTA: Con las patas en la posición intermedia, éstas se pueden ajustar en ± 0.375 ".

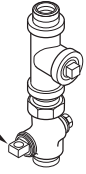
Instrucciones de Instalación

Claros Minimos para Instalación que no Sea Alcoba o Clóset

Claros minimos para superficies combustibles y al aire libre son: 0 pulgadas de despeje a ambos lados y en la parte trasera. Se deberá considerar que se debe brindar el despeje adecuado para la instalación y el servicio técnico.

1 PREPARACIÓN PARA LA INSTALACIÓN DE UN ELECTRODOMÉSTICO NUEVO DESCONEXIÓN DEL GAS

COLOQUE LA VÁLVULA DE APAGADO DEL GAS EN LA POSICIÓN CERRADA.



DESCONECTE Y RETIRE EL CONECTOR DE GAS FLEXIBLE USADO PREVIAMENTE Y EL MATERIAL DE TUBERÍA DE TRANSICIÓN USADO PREVIAMENTE. REEMPLACE CON UN CONECTOR NUEVO PARA LINEA DE GAS FLEXIBLE APROBADO POR CSA (AGA) Y UN CONDUCTO DE TRANSICIÓN APROBADO POR UL.

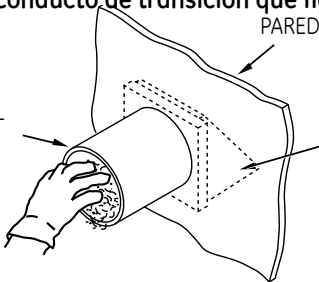


ADVERTENCIA-NUNCA VUELVA A USAR CONECTORES FLEXIBLES QUE YA HAYA USADO. El uso de conectores flexibles que ya hayan usado puede causar fugas y lesiones personales. Siempre use conectores flexibles nuevos al instalar electrodomésticos a gas.

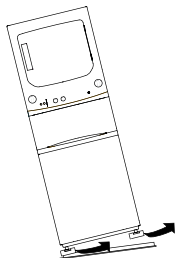
ELIMINACIÓN DE PELUSAS DE LA ABERTURA DE ESCAPE DE LA PARED

- Retire y elimine plásticos u hojas de aluminio existentes en el conducto de transición y reemplace por el conducto de transición que figura en la lista de UL.

ABERTURA INTERNA DEL CONDUCTO



CONTROLE QUE EL REGULADOR DE LA CAMPANA DE ESCAPE SE ABRA Y SE CIERRE LIBREMENTE.



INCLINE EL ELECTRODOMÉSTICO HACIA AMBOS LADOS Y RETIRE LAS ALMOHADILLAS DE GOMAESPUMA DEL EMBALAJE, EMPUJANDO HACIA AMBOS LADOS Y RETIRANDO LAS MISMAS DE LAS PATAS DE LA SECADORA. ASEGÚRESE DE QUITAR TODAS LAS PIEZAS DE GOMAESPUMA.

Una vez que la máquina esté en el hogar, retire el material/ cartón de embalaje restante de la lavadora.

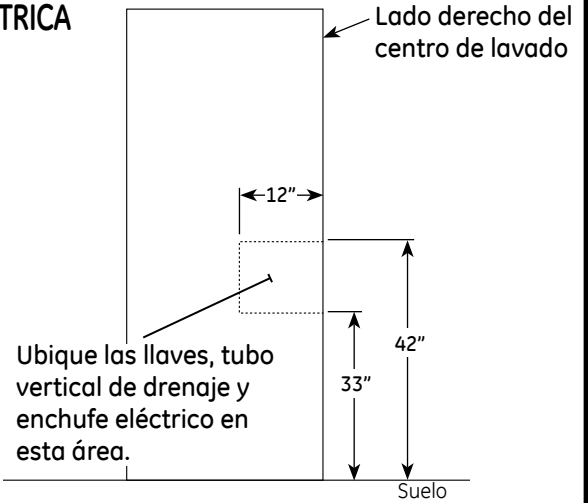
NO RETIRE AUN LA VARILLA DE EMBARQUE.

Retire el bloque de gomaespuma. Retire el recipiente la bolsa que contiene las mangueras y piezas de la Lavadora. Coloque el bloque de gomaespuma nuevamente en la abertura del recipiente para sostener el mismo en su lugar durante el resto de la instalación.

Mueva la lavadora hasta su ubicación final. Asegúrese de que haya por lo menos 24" de espacio sobre el lado derecho de la lavadora para retirar la varilla de embarque. EMPUJE LA VARILLA DE EMBARQUE HACIA AFUERA USANDO LA MANIJA DE PLÁSTICO AMARILLA. Mantenga varilla modo que se pueda volver a instalar si la lavadora se volviera a mover nuevamente.



GRIFOS DE HOGAR NUEVOS O REMODELADOS/ TUBO VERTICAL DE DRENAJE/ UBICACIÓN ELÉCTRICA



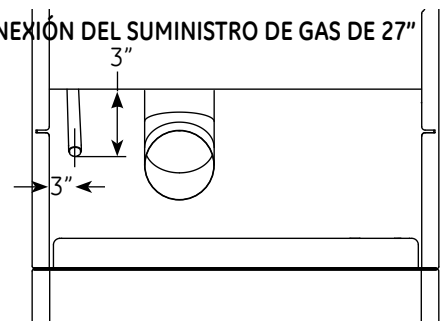
Ubique las llaves, tubo vertical de drenaje y enchufe eléctrico en esta área.

2 REQUISITOS DEL GAS

ADVERTENCIA

- La instalación debe cumplir con los códigos y ordenanzas locales, o en su ausencia, con el CÓDIGO NACIONAL DE GAS COMBUSTIBLE (NATIONAL FUEL GAS CODE), ANSI Z223.
- Esta secadora a gas está equipada con un Ensamble de Válvula y Quemador para uso con gas natural únicamente. Al usar el kit de conversión WE25M73 para 24", WE25M74 para 27" su organización del servicio local puede convertir la secadora para su uso con gas propano (LP). TODAS LAS CONVERSIONES DEBERÁN SER REALIZADAS POR PERSONAL ADECUADAMENTE ENTRENADO Y CALIFICADO Y DE ACUERDO CON LOS REQUISITOS DE LOS CÓDIGOS Y ORDENANZAS LOCALES.
- El electrodoméstico deberá ser desconectado de la tubería del sistema de suministro de gas durante cualquier evaluación de presión de dicho sistema en una prueba de presión que supere los 0.5 PSI (3.4 KPa).
- Este electrodoméstico deberá ser aislado del sistema de tubería de suministro de gas, cerrando la válvula de apagado del equipamiento durante cualquier prueba de presión de la tubería de suministro de gas con una presión igual o inferior a los 0.5 PSI (3.4 KPa).

CONEXIÓN DEL SUMINISTRO DE GAS DE 27"



Nota: La conexión del suministro de gas de 24" cuenta con una manguera flexible, de modo que las dimensiones varían.

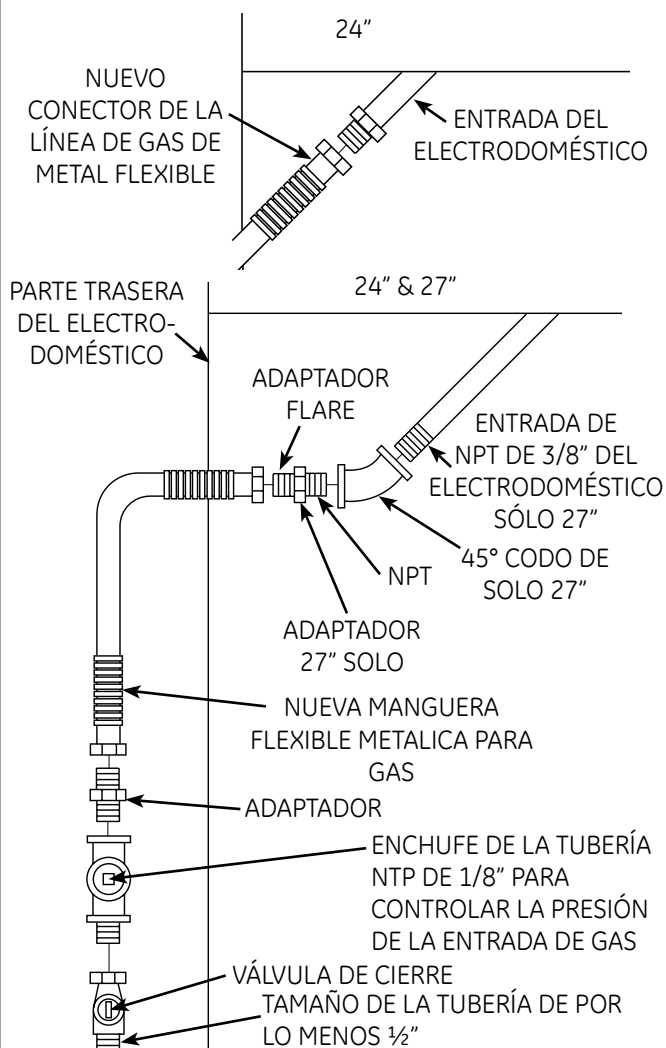
Instrucciones de Instalación

SUMINISTRO DE GAS

- Se debe instalar una rosca cubierta NPT de 1/8" en un lugar accesible en el suministro de gas hacia la conexión del suministro de la secadora para conectar medidores de prueba. Ante cualquier duda sobre la instalación de la rosca cubierta, comuníquese con su proveedor local de gas.
- La línea de suministro debe contar con una tubería rígida de 1/2" y estar equipada con una válvula de cierre accesible dentro de los 6 pies en lamisma habitación que la secadora.
- Use un compuesto de sellado para rosca de tubería o cinta de teflón apropiada para gas natural o LP.
- Se deberá usar con la secadora un conector metálico flexible que figure en la lista ANSI Z21.24 / CSA 6.10. La longitud de la conexión no deberá superar los 3 pies.
- Conecte el conector de metal flexible a la secadora y al suministro de gas.
- Abra la válvula de cierre.

3 RECONEXIÓN DEL GAS

Conector de la lista ANSI Z21.24 / CSA 6.10

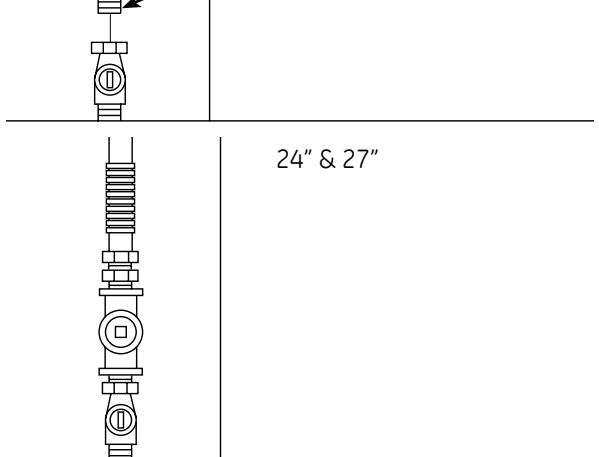
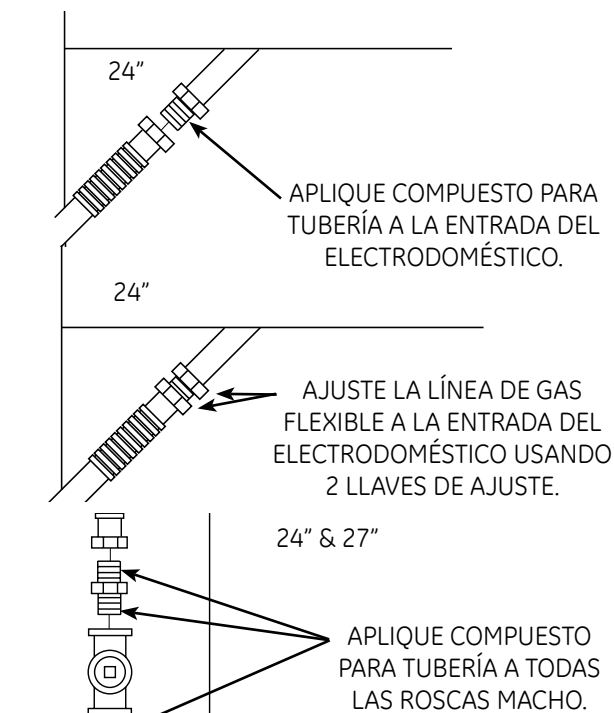
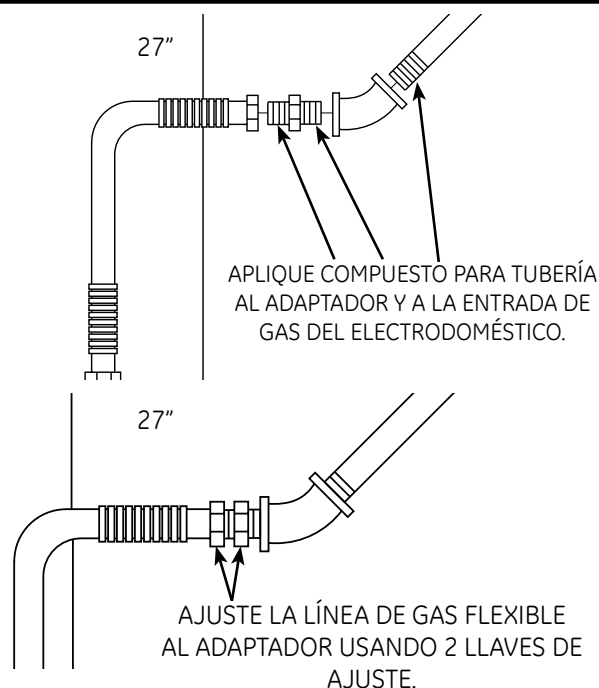


ÍTEMS NO PROVISTOS

Piso

Nota: El conector y los accesorios están diseñados para ser usados sólo en la instalación original y no deben ser usados nuevamente con otro electrodoméstico o en otra ubicación. Mantenga el extremo del adaptador flare libre de grasa, aceite y sellador de rosca.

PRECAUCIÓN: Use los adaptadores como se muestra. Las tuercas de conexión no se deberán conectar directamente a las roscas de las tuberías.

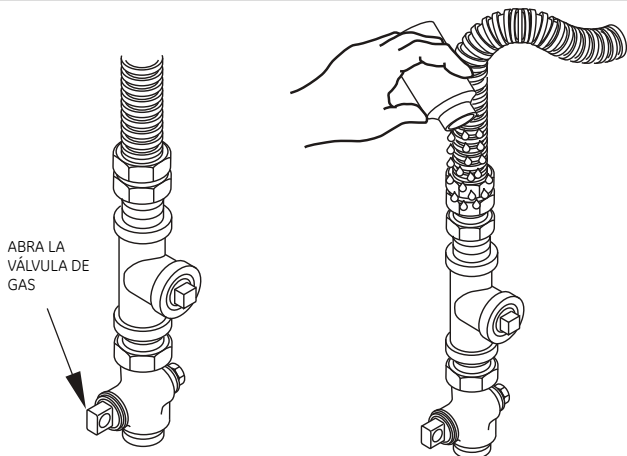


AJUSTE TODAS LAS CONEXIONES USANDO DOS LLAVES AJUSTABLES. ¡NO APRIETE EN EXCESO LAS CONEXIONES DE GAS!

Instrucciones de Instalación

4 PRUEBA DE FUGA

⚠ ADVERTENCIA: NUNCA USE UNA FLAMA ABIERTA SI HARÁ UNA PRUEBA PARA CONTROLAR FUGAS DE GAS.



Controle fugas en todas las conexiones con solución de jabón o un material equivalente. Aplique una solución de jabón. Burbujas indican fuga. La solución para la pruebas de fugas no deberá contener amoníaco, el cual podrá ocasionar daños sobre los accesorios de latón. Si se encuentran fugas, cierre la válvula, vuelva a ajustar la junta, y repita la prueba con jabón.

5 INFORMACIÓN SOBRE LA CONEXIÓN ELÉCTRICA

⚠ ADVERTENCIA - PARA REDUCIR EL RIESGO DE INCENDIO, DESCARGA ELÉCTRICA Y LESIONES PERSONALES:

- NO USE EXTENSIONES NI ENCHUFES ADAPTADORES CON ESTE ELECTRODOMÉSTICO.

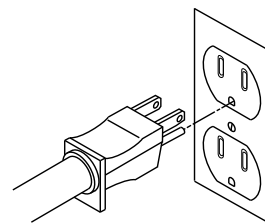
La secadora deberá estar correctamente conectada a tierra de acuerdo con los códigos y ordenanzas locales, o en ausencia de códigos locales, de acuerdo con el CÓDIGO NACIONAL DE ELECTRICIDAD (NATIONAL ELECTRICAL CODE), ANSI/NFPA NO. 70.

REQUISITOS ELÉCTRICOS

Este electrodoméstico deberá ser provisto con 120V, 60Hz, y estar conectado a un circuito correctamente conectado a tierra, protegido por un disyuntor o fusible de retardo de 15 o 20 amp. Si el suministro de corriente provisto no cumple con las especificaciones anteriores, se recomienda que un electricista matriculado instale un tomacorriente aprobado.

⚠ ADVERTENCIA - ESTA SECADORA ESTÁ EQUIPADA CON UN CABLE DE TRES PATAS (CONEXIÓN A TIERRA) PARA SU PROTECCIÓN CONTRA RIESGOS DE DESCARGAS Y DEBERÁ ESTAR ENCHUFADA DIRECTAMENTE EN UN RECEPTÁCULO DE TRES PATAS CORRECTAMENTE CONECTADO A TIERRA. NO CORTE NI quite LA PATA DE CONEXIÓN A TIERRA DE ESTE ENCHUFE.

5 INFORMACIÓN SOBRE LA CONEXIÓN ELÉCTRICA



ASEGÚRESE DE CONTAR CON UNA CONEXIÓN A TIERRA ADECUADA ANTES DE USAR.

INSTRUCCIONES DE CONEXIÓN A TIERRA

Este aparato debe de estar conectado a tierra. En un posible mal funcionamiento o avería, la conexión a tierra puede reducir el riesgo de descarga eléctrica al proporcionar una vía de menor resistencia de la corriente eléctrica. Este aparato está equipado con un cable que tiene un conductor de puesta a tierra y un enchufe de conexión a tierra. El enchufe debe conectarse a un tomacorriente adecuado que esté debidamente instalado y conectado a tierra de acuerdo con todos los códigos locales u ordenanzas.

⚠ ADVERTENCIA - una conexión inadecuada de la conexión a tierra puede resultar en un riesgo de descarga eléctrica. Consulte a un electricista calificado si tiene dudas sobre si el aparato está correctamente conectado a tierra.

No modifique el conector provisto con el aparato - si el conector no encaja en el tomacorriente, solicite a un electricista calificado que instale un tomacorriente adecuado.

6 INFORMACIÓN SOBRE EL ESCAPE

⚠ ADVERTENCIA - EN CANADÁ Y EN ESTADOS UNIDOS, EL DIÁMETRO DEL CONDUCTO DE ESCAPE REQUERIDO ES DE 4" (102 mm.). NO USE CONDUCTOS MÁS LARGOS QUE LOS ESPECIFICADOS EN LA TABLA DE LONGITUD DEL ESCAPE.

El uso de un escape más largo que el especificado:

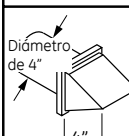
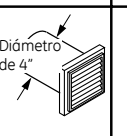
- Incrementará los tiempos de secado y el costo de energía.
- Reducirá la vida útil de la secadora.
- Acumulará pelusa, creando un posible riesgo de incendio. **Es SU RESPONSABILIDAD que el escape esté instalado correctamente. Cualquier problema debido a una instalación incorrecta no estará cubierto por esta garantía.**

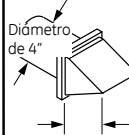
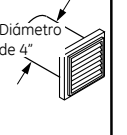
Retire y elimine plásticos u hojas de aluminio existentes en el conducto de transición y reemplace por el conducto de transición que figura en la lista de UL.

La longitud MÁXIMA PERMITIDA del conducto y la cantidad de torsiones del sistema de escape depende del tipo de conducto, número de giros, el tipo de campana de escape (caperuza de pared), y todas las condiciones indicadas previamente. La longitud máxima para conductos de metal rígido figura en la siguiente tabla.

Instrucciones de Instalación

6 INFORMACIÓN SOBRE EL ESCAPE

LONGITUD DEL ESCAPE	27" LONGITUD MÁXIMA RECOMENDADA	
	Tipos de Campanas de Escape	
	Recomendado:	Use sólo para instalaciones cortas
		
Nº de Codos de 90º	Metal Rígido	Metal Rígido
0	56 Pies	42 Pies
1	44 Pies	32 Pies
2	34 Pies	25 Pies
3	24 Pies	18 Pies

LONGITUD DEL ESCAPE	24" LONGITUD MÁXIMA RECOMENDADA	
	Tipos de Campanas de Escape	
	Recomendado:	Use sólo para instalaciones cortas
		
Nº de Codos de 90º	Metal Rígido	Metal Rígido
0	43 Pies	36 Pies
1	33 Pies	26 Pies
2	24 Pies	16 Pies

LISTA DE CONTROL DEL SISTEMA DE ESCAPE CAMPANA O CAPERUZA DE PARED

- Terminar de modo que se eviten ráfagas de aire traseras o la entrada de pájaros u otros animales.
- La terminación debería presentar una resistencia mínima sobre el flujo del aire del escape y debería requerir poco o ningún mantenimiento para evitar obstrucciones.
- Nunca instale una rejilla en o sobre el conducto de escape. Esto podría ocasionar la acumulación de pelusa.
- Las caperuzas de pared se deben instalar por lo menos a 12" sobre el nivel de suelo o en cualquier otra obstrucción con la abertura en dirección hacia abajo.

SEPARACIÓN DE CURVAS

Para un mejor funcionamiento, separe todas las curvas a por lo menos 4 pies del conducto recto, incluyendo la distancia entre el último giro y la campana de escape.

CURVAS QUE NO ESTÁN A 90º

- Una curva de 45º o menos podrá ser ignorada.
- Dos curvas de 45º se deberán tratar como una curva de 90º.
- Cada curva superior a 45º se deberá tratar como una curva de 90º.

SELLADO DE JUNTAS

- Todas las juntas deberán estar ajustadas para evitar fugas. El extremo macho de cada sección del conducto deberá estar apartado de la secadora.
- No ensamble la tubería con tensores que se extiendan sobre el conducto. Estos servirán como puntos de recolección de pelusa.
- Se podrá evitar la entrada de aire y humedad en las juntas del conducto envolviendo las juntas de forma superpuesta con cinta para conducto.
- Las partes horizontales deberán tener una caída de 1/2" por pie hacia el exterior.

AISLANTE

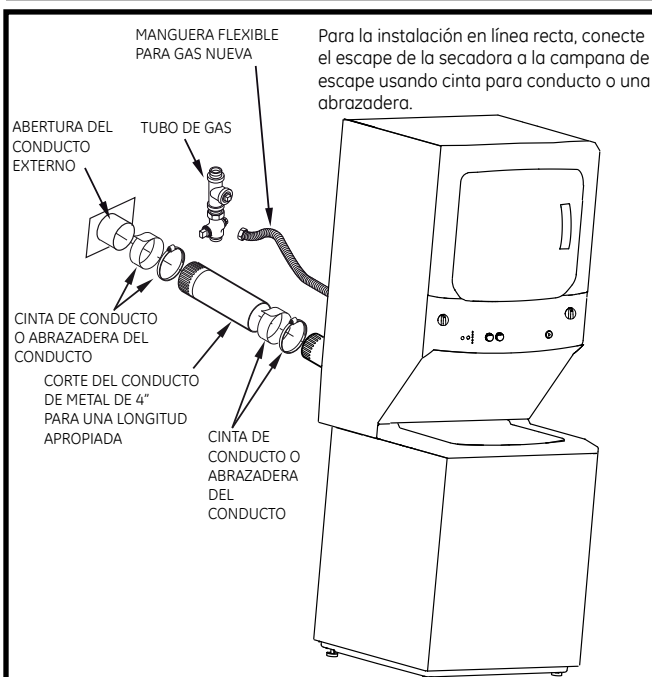
Cuando el conducto atraviese un área sin calefacción o esté cerca de un aire acondicionado, deberá ser aislado a fin de reducir la condensación y la acumulación de pelusa.

7 CONEXIÓN DEL ESCAPE

⚠ ADVERTENCIA - PARA REDUCIR EL RIESGO DE INCENDIO O LESIONES PERSONALES:

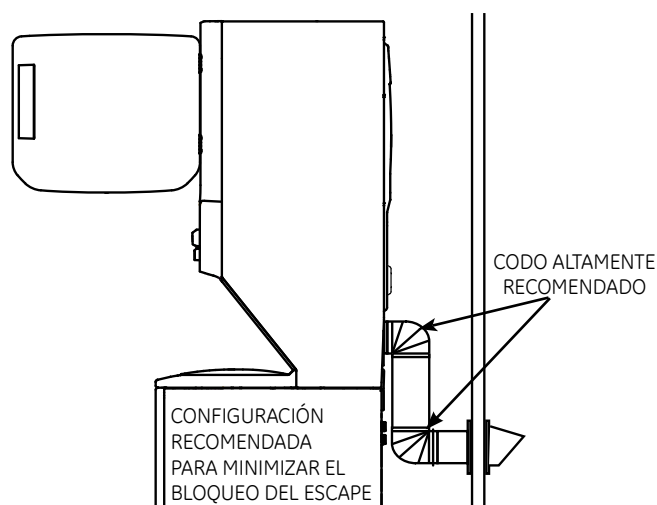
- Este electrodoméstico para ropa deberá contar con un escape hacia el exterior.
- Use sólo un conducto de metal rígido de 4" para el conducto de salida del hogar.
- Use sólo un conducto de metal rígido de 4" o de metal flexible de la lista de UL (semi-rígido o tipo hoja de aluminio) para conectar la secadora al conducto de escape del hogar. Se deberá instalar de acuerdo con las instrucciones que figuran en "Conexión de la Secadora a la Ventilación del Hogar" en la página 8 de este manual.
- No termine la salida del escape en una chimenea, pared, cielo raso, ventilación de gas, sótano, ático, debajo de un piso adjunto, o en cualquier espacio oculto de una construcción. La acumulación de pelusas podría provocar un riesgo potencial de incendio.
- Nunca termine el escape en un conducto común con un sistema de escape de una cocina. La combinación de grasa y pelusa crea un posible riesgo de incendio.
- Evite que el conducto sea más largo que como se especifica en la tabla de longitud del escape. Los conductos más largos acumulan pelusa, creando un posible riesgo de incendio.
- Nunca instale una rejilla en o sobre el conducto de escape. Esto causará la acumulación de pelusa, creando un posible riesgo de incendio.
- No ensamble la tubería con tensores que se extiendan sobre el conducto. Estos tensores acumulan pelusa, creando un posible riesgo de incendio.
- No obstruya el aire entrante o saliente.
- Provea un acceso para inspección y limpieza del sistema de escape, especialmente en curvas y juntas. El sistema de escape se deberá inspeccionar y limpiar por lo menos una vez al año.

ESTA SECADORA ESTÁ EQUIPADA CON ESCAPE TRASERO. SI EL ESPACIO ES LIMITADO, USE LAS INSTRUCCIONES DE LA SECCIÓN 9 PARA QUE EL ESCAPE FUNCIONE DIRECTAMENTE DESDE LOS COSTADOS O LA PARTE INFERIOR DEL GABINETE.



Instrucciones de Instalación

ESCAPE TRASERO ESTÁNDAR (Ventilación por encima del nivel del piso)



NOTA: EL CODO EVITARÁ LA TORCEDURA Y ROTURA DEL CONDUCTO

3. Con el electrodoméstico en su ubicación final, coloque un nivel sobre la parte trasera de la tapa de la lavadora y controle la misma de un costado a otro y luego de adelante hacia atrás. Atornille las patas niveladoras del frente de arriba hacia abajo, para asegurar que el electrodoméstico se apoye con solidez sobre sus cuatro patas (no debería haber balanceo del electrodoméstico), gire las tuercas de bloqueo en cada pata hacia la base de la unidad y ajuste con una llave.

Note: mantenga la extensión de la pata al mínimo para evitar vibraciones excesivas. Cuando más extendidas se encuentran las patas, más vibrará la unidad.

CONEXIÓN DE LA SECADORA A LA VENTILACIÓN DE LA CASA

CONDUCTO DE TRANSICIÓN DE METAL RÍGIDO

- Para un mejor funcionamiento del secado, se recomienda el uso de un conducto de transición de metal rígido.
- Los conductos de transición de metal rígido reducen el riesgo de que se puedan aplastar o doblar.

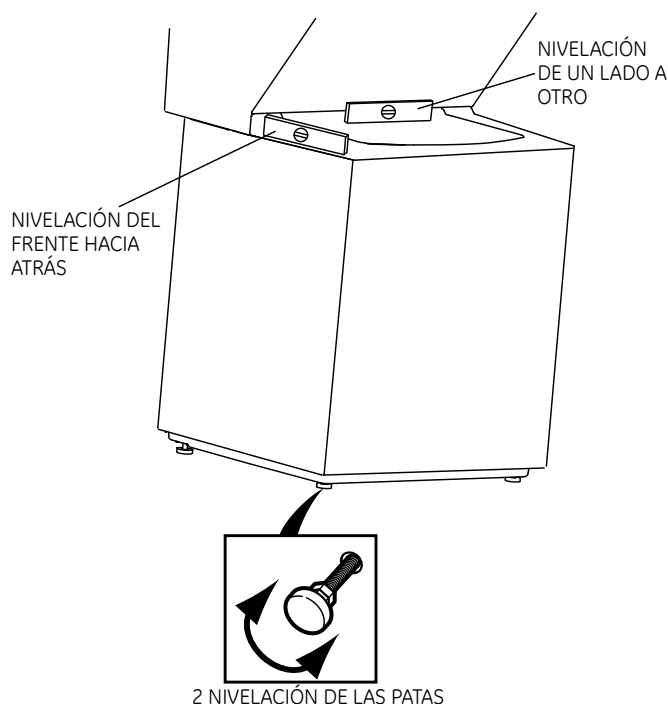
CONDUCTO DE TRANSICIÓN DE METAL FLEXIBLE (SEMI-RÍGIDO) DE LA LISTA DE UL

- Si no se pudiera usar un conducto de metal rígido, entonces se podrá usar un conducto de metal flexible (semi-rígido) de la lista de UL (Kit WX08X10077).
- Nunca instale un conducto de metal flexible en paredes, cielos rasos, pisos u otros espacios adjuntos.
- Para muchas aplicaciones, se recomienda enfáticamente la instalación de codos tanto en la secadora como en la pared. Los codos permiten que la secadora pueda estar junto a la pared sin que se aplaste ni se doble el conducto de transición, maximizando el rendimiento del secado. Evite que la tubería se apoye sobre objetos cortantes.

CONDUCTO DE TRANSICIÓN DE METAL FLEXIBLE (TIPO HOJA DE ALUMINIO) DE LA LISTA DE UL

- Para instalaciones especiales, puede resultar necesaria la conexión de la secadora a la ventilación de la casa usando un conducto de metal flexible (tipo hoja de aluminio). Un conducto de metal flexible (tipo hoja de aluminio) podrá ser usado SÓLO en instalaciones donde los conductos de metal rígido o metal flexible (semi-rígido) no puedan ser usados y donde se pueda mantener un diámetro de 4" a lo largo de todo el conducto de transición.
- En Canadá y en Estados Unidos, sólo se podrán usar los conductos de metal flexible (tipo hoja de aluminio) que cumplan con el "Resumen del Tema 2158A de Conductos de Transición para Secadoras de Ropa" (Outline for Clothes Dryer Transition Duct Subject 2158A).
- La longitud total del conducto de metal flexible no deberá superar los 8 pies (2.4m). Evite que la tubería se apoye sobre objetos cortantes.
- Para un mejor funcionamiento:
 1. Deslice un extremo del conducto sobre la tubería de salida de la secadora de ropa.
 2. Asegure el conducto con una abrazadera.
 3. Con la secadora en su posición permanente, extienda el conducto hasta su máxima extensión. Permita que 2" del conducto se superpongan con la tubería de escape. Corte y retire el sobrante del conducto. Mantenga el conducto lo más recto posible para lograr el flujo de aire máximo.
 4. Asegure el conducto a la tubería de escape con la otra abrazadera.

8 NIVELACIÓN DE LA SECADORA



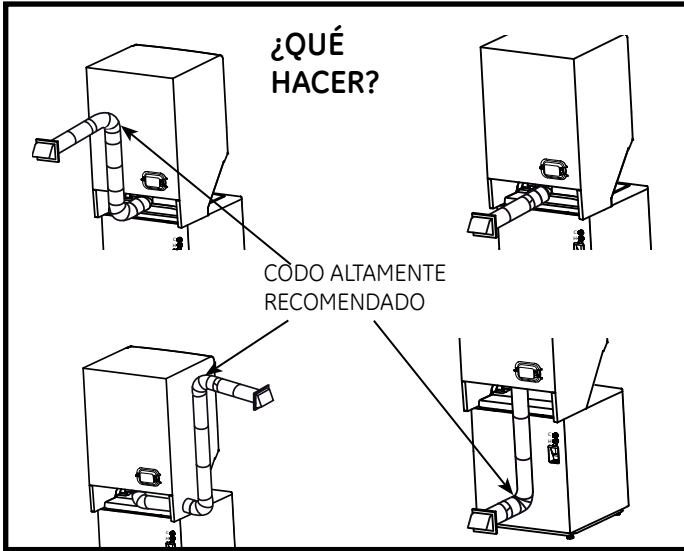
Cómo nivelar y estabilizar el electrodoméstico

1. Con cuidado mueva el electrodoméstico hasta su ubicación final. Suavemente balancee el electrodoméstico en su posición. Es importante no dañar las patas niveladoras de goma al mover el electrodoméstico hasta su ubicación final. Si las patas se encuentran dañadas, esto podrá incrementar la vibración del electrodoméstico. Puede ser de ayuda aplicar espray de limpieza de ventanas en el piso, a fin de mover el electrodoméstico hasta su ubicación final.

Nota: No use la cubierta de la lavadora para levantar la unidad.

2. Para asegurar que el electrodoméstico esté nivelado y posicionado de forma sólida sobre sus cuatro patas, incline el electrodoméstico hacia adelante de modo que las patas traseras queden levantadas del piso. Suavemente vuelva a apoyar el electrodoméstico para permitir que las patas traseras encuentren su ajuste.

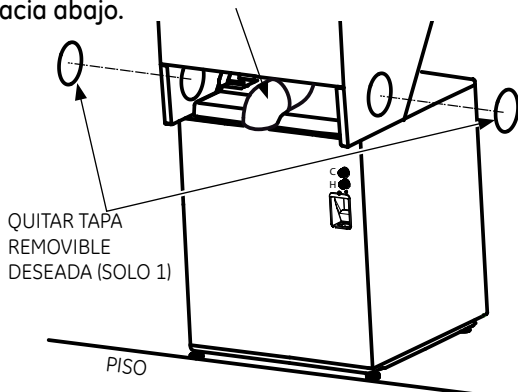
Instrucciones de Instalación



9 SÓLO PARA MODELOS DE 24"
SALIDA DE LA SECADORA HACIA EL GABINETE DERECHO, IZQUIERDO O INFERIOR

⚠ ADVERTENCIA- ANTES DE REALIZAR LA INSTALACIÓN DE ESTE ESCAPE, ASEGÚRESE DE DESCONECTAR EL ELECTRODOMÉSTICO DE SU SUMINISTRO ELÉCTRICO. PROTEJA SUS MANOS Y BRAZOS DE EXTREMOS CORTANTES AL TRABAJAR DENTRO DEL GABINETE. ASEGÚRESE DE USAR GUANTES.

Para una ventilación descendente, rote las secciones del codo de modo que éste apunte hacia abajo.

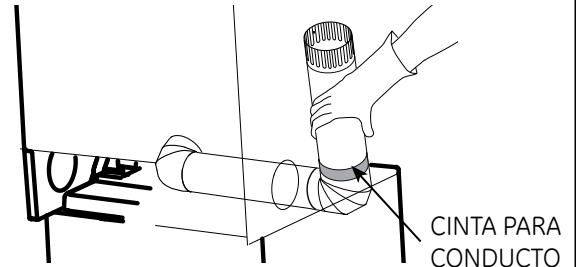
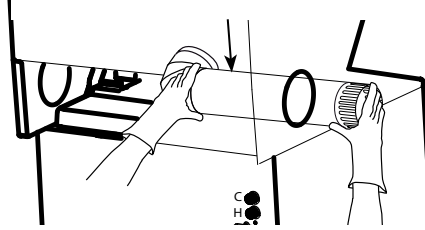


ESCAPE HACIA LA IZQUIERDA O DERECHA DEL GABINETE

- Para que el conducto salga hacia uno de los laterales, quite el separador (SÓLO 1). Gire las secciones del codo de modo que apunten hacia el costado. Realice un ensamble previo del codo de 4" con el conducto de 4". Use sólo metal rígido de 4" para conductos aprobados por UL dentro de la secadora.
- Inserte el ensamble del conducto a través de la abertura lateral y conecte el mismo al codo interior.

⚠ ADVERTENCIA: Asegúrese de no forzar ni dañar los cables eléctricos dentro de la secadora al insertar el conducto.

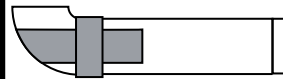
Metal rígido de 4" aprobado por UL



- Aplique cinta para conducto como se muestra en la junta entre el conducto interior de la secadora y la tubería recta del conducto.

⚠ ADVERTENCIA-

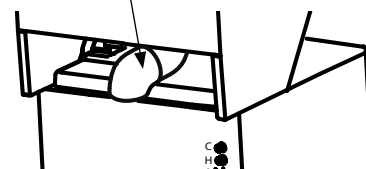
Las juntas del conducto interior deben estar aseguradas con cinta; de otro modo, se podrán separar y ocasionar riesgos de seguridad.



SÓLO PARA MODELOS DE 27"
SALIDA DE LA SECADORA HACIA EL GABINETE DERECHO, IZQUIERDO O INFERIOR

⚠ ADVERTENCIA- ANTES DE REALIZAR LA INSTALACIÓN DE ESTE ESCAPE, ASEGÚRESE DE DESCONECTAR EL ELECTRODOMÉSTICO DE SU SUMINISTRO ELÉCTRICO. PROTEJA SUS MANOS Y BRAZOS DE EXTREMOS CORTANTES AL TRABAJAR DENTRO DEL GABINETE. ASEGÚRESE DE USAR GUANTES.

Para una ventilación descendente, rote las secciones del codo de modo que éste apunte hacia abajo.

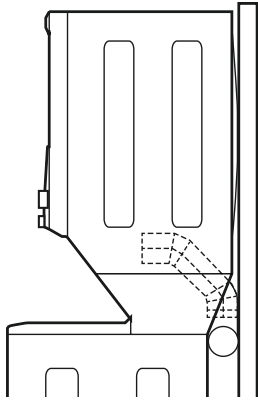


Instrucciones de Instalación

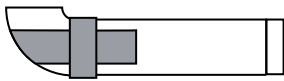
ESCAPE HACIA LA IZQUIERDA O DERECHA DEL GABINETE

- Gire las secciones con codos para que apunte hacia el lado que desea ventilar. Gire las secciones del codo de modo que apunten hacia el costado. Realice un ensamble previo del codo de 4" con el conducto de 4". Use sólo metal rígido de 4" para conductos aprobados por UL dentro de la secadora.
- Conecte el montaje de conductos al codo interno.

⚠ ADVERTENCIA- Asegúrese de no forzar ni dañar los cables eléctricos dentro de la secadora al insertar el conducto.



- Aplique cinta para conducto como se muestra en la junta entre el conducto interior de la secadora y la tubería recta del conducto.



⚠ ADVERTENCIA - Las juntas del conducto interior deben estar aseguradas con cinta; de otro modo, se podrán separar y ocasionar riesgos de seguridad.

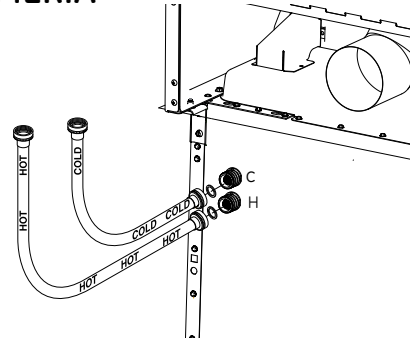
10 INFORMACIÓN DE PLOMERÍA REQUISITOS SUMINISTRO DE AGUA

- GRIFOS DE AGUA CALIENTE Y DE AGUA FRÍA - Deben estar dentro de las 42" de las conexiones de la manguera de entrada de agua del electrodoméstico. Los grifos deben ser del tipo para manguera de jardín de 3/4", de modo que las mangueras de entrada puedan ser conectadas.
- PRESIÓN DE AGUA - Debe estar entre 10 y 120 libras por pulgada cuadrada con una presión desbalanceada máxima, flujo caliente versus frío, de 10 libras por pulgada cuadrada.
- TEMPERATURA DEL AGUA - El calentador de agua deberá estar configurado entre 140° y 150°F (60° y 66°C) en la lavadora cuando se seleccione lavado CALIENTE.
- VÁLVULAS DE CIERRE - Tanto la válvula de cierre de agua caliente como la de agua fría (grifos) deberán ser suministradas.
- UBICACIÓN - No instale el electrodoméstico en un área donde la temperatura sea bajo cero. Si el electrodoméstico es ubicado o transportado en temperaturas bajo cero, asegúrese de que toda el agua del sistema de llenado y drenado haya sido removida.

REQUISITOS PARA EL DRENAJE

- REQUISITO DEL DRENAJE - El drenaje o el tubo de subida deben poder aceptar una descarga a un promedio de 16 galones por minuto.
- ALTURA DEL DRENAJE - La altura del drenaje debe ser de un mínimo de 33" y un máximo de 96".
- DIÁMETRO DEL TUBO DE SUBIDA - El diámetro del tubo de subida debe ser de un mínimo de 1-1/2". DEBE haber un espacio de aire en torno a la manguera de drenaje en el tubo de subida. Un ajuste sin holgura puede provocar una acción de sifonaje.
- KIT DE DESVIACIÓN DEL SIFÓN - Para una instalación de drenaje inferior a las 33" de altura, la manguera, junto con las abrazaderas provistas en la máquina, deberán ser usadas y, además, se DEBERÁ instalar una desviación del sifón en la parte trasera de la máquina. Use el Kit de Desviación del Sifón WH49X228 y siga las instrucciones del mismo.

11 CONEXIÓN A INSTALACIONES DE PLOMERÍA

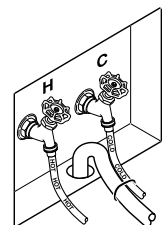


Si no se encuentra instalada, instale la arandela de goma en un extremo de la manguera de agua caliente. Coloque la manguera de agua caliente en la conexión con etiqueta H en la parte superior trasera de la lavadora. Ajuste manualmente, además de dar un giro adicional de 1/8 con una pinza.

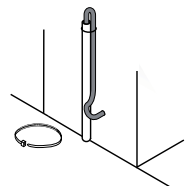
Si no se encuentra instalada, instale la arandela de goma en un extremo de la manguera de agua fría. Coloque la manguera de agua fría en la conexión con etiqueta C en la parte superior trasera de la lavadora. Ajuste manualmente, además de dar un giro adicional de 1/8 con una pinza.

Mueva el electrodoméstico tanto como sea posible hasta su ubicación final, dejando espacio para que pueda hacer las conexiones del agua, drenaje, electricidad y ventilación en su hogar.

NOTA: Si se requiere el uso de una manguera más larga, ordene un kit de extensión de manguera de drenaje; el número de pieza de GE es WH49X301. Conecte la manguera de drenaje adicional (incluida con el kit) a la manguera original con la abrazadera para manguera (incluida con el kit).



Inserte el extremo libre de la manguera de drenaje en la abertura del drenaje de su hogar hasta el tope de la manguera de drenaje (no retire el tope de la manguera, ya que éste evita el sifonaje). Si las válvulas de agua y el drenaje están adheridas a la pared, ajuste la manguera de drenaje a una de las mangueras de agua con el enlace para cable provisto (el lado elástico en el interior). Si el drenaje es un tubo de subida, ajuste la manguera de drenaje al tubo de subida con el enlace de cable provisto.

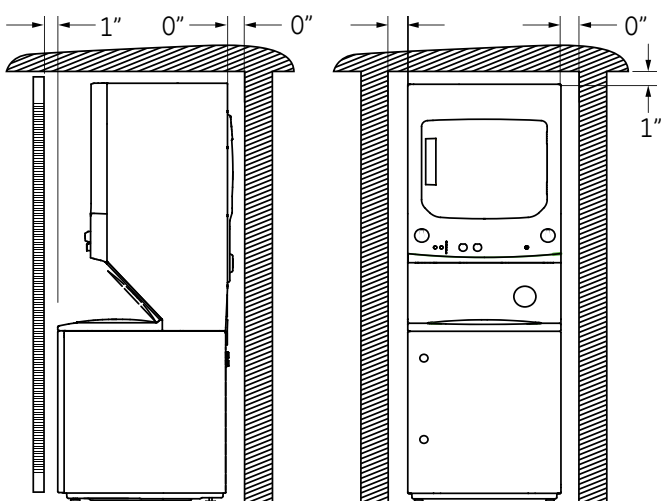


Instrucciones de Instalación

12 INSTALACIÓN EN CASA RODANTE O PREFABRICADA

- La instalación DEBE ser realizada conforme con el ESTÁNDAR DE CONSTRUCCIÓN Y SEGURIDAD DE CASAS PREFABRICADAS, TÍTULO 24, PARTE 32-80 (MANUFACTURED HOME CONSTRUCTION & SAFETY STANDARD, TITLE 24, PART 32-80) o, cuando dicho estándar no sea aplicable, con el ESTÁNDAR NACIONAL ESTADOUNIDENSE DE CASAS RODANTES (AMERICAN NATIONAL STANDARD FOR MOBILE HOME), ANSI/NFPA NO. 501B.
- El electrodoméstico DEBE contar con ventilación hacia el exterior con la terminación ajustada de forma segura a la estructura de la casa rodante.
- La ventilación NO DEBE terminar en la parte inferior de una casa rodante o prefabricada.
- El material del conducto de ventilación DEBE SER DE METAL.
- Se DEBERÁ usar el KIT 14-D346-33 para adherir la secadora a la estructura de forma segura.
- La ventilación NO DEBE estar conectada a ningún otro conducto, ventilación o chimenea.
- No use tornillos de chapa u otros dispositivos de ajuste que se extiendan por el interior de la ventilación del escape.
- Brinde una apertura con un área libre de por lo menos 25 pulgadas cuadradas para la introducción de aire exterior en la sala de la secadora.

13 INSTALACIÓN EN ALCOBA O CLOSET



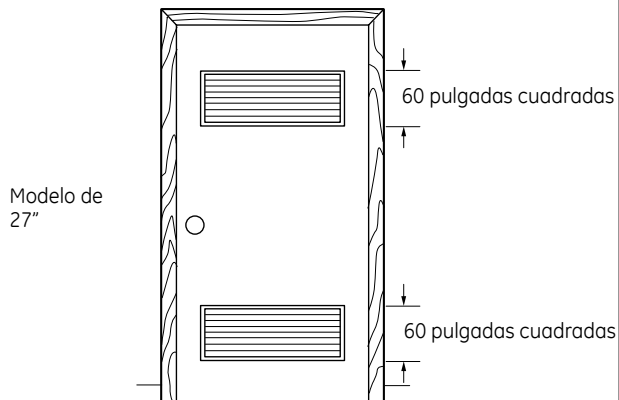
- Si se aprobó la instalación de su electrodoméstico en alcoba o clóset, esto figurará en una etiqueta en el reverso del electrodoméstico.
- La secadora DEBERÁ contar con ventilación hacia el exterior. Consulte la sección de INFORMACIÓN DEL ESCAPE.
- No instale este electrodoméstico con menos del nivel de despeje mínimo como se muestra más arriba.
- El clóset debe contar con ventilación hacia el exterior, a fin de evitar la acumulación de gas en caso de una pérdida del suministro de gas.
- No se deberá instalar ningún otro electrodoméstico que consuma combustible en el mismo clóset con el electrodoméstico.

SE DEBERÁ PROVEER EL NIVEL DE DESPEJE NECESARIO PARA LA INSTALACIÓN Y EL SERVICIO TÉCNICO.

! ADVERTENCIA: NO INSTALE ESTE ELECTRODOMÉSTICO EN UN CLÓSET QUE POSEA UNA PUERTA SÓLIDA.

ABERTURA DE LA PUERTA DE VENTILACIÓN (MODELOS DE 27")

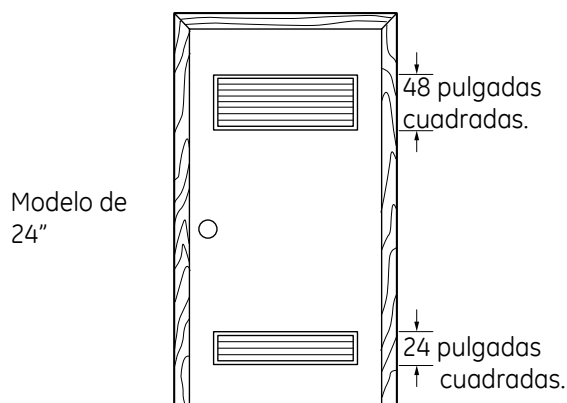
Se requiere un mínimo de 120 pulgadas cuadradas de abertura, equivalentemente divididos en la parte superior e inferior. Se requiere que las aberturas de aire no estén obstruidas cuando se instale una puerta. Se acepta el uso de una puerta de celosía con aberturas de aire sobre toda la longitud de la puerta.



Cuando se colocan celosías o registros en aberturas de puertas, sus aberturas de aire deben ser equivalentes a 120 pulgadas cuadradas.

ABERTURA DE LA PUERTA DE VENTILACIÓN (MODELOS DE 24")

Se requiere un mínimo de 72 pulgadas cuadradas de abertura. Se requiere que las aberturas de aire no estén obstruidas cuando se instale una puerta. Se acepta el uso de una puerta de celosía con aberturas de aire equivalentes a la longitud completa de la puerta.



Cuando se colocan celosías o registros en aberturas de puertas, sus aberturas de aire deben ser equivalentes a 72 pulgadas cuadradas.

14 INSTALACIÓN EN BAÑO O HABITACIÓN

- Este electrodoméstico DEBERÁ contar con ventilación hacia el exterior. Consulte INFORMACIÓN DE ESCAPE en las secciones 3 y 4.
- La instalación debe cumplir con los códigos locales o, en ausencia de códigos locales, con el CÓDIGO NACIONAL DE ELECTRICIDAD (NATIONAL ELECTRICAL CODE), ANSI/NFPA NO. 70 y el CÓDIGO NACIONAL DE GAS COMBUSTIBLE (NATIONAL FUEL GAS CODE), ANSI Z223.

Instrucciones de Instalación

15 SERVICIO TÉCNICO

⚠ ADVERTENCIA- ETIQUETE TODOS LOS CABLES ANTES DE LA DESCONEXIÓN CUANDO SE REALICEN CONTROLES DEL SERVICIO TÉCNICO. CUALQUIER ERROR DE CABLEADO PUEDE OCASIONAR UN FUNCIONAMIENTO INADECUADO Y PELIGROSO LUEGO DE LA INSTALACIÓN/ SERVICIO TÉCNICO.

Para el reemplazo de piezas y otras informaciones, consulte los números telefónicos del servicio técnico en el Manual del Propietario.

REGISTRE SU NUEVO APARATO PARA RECIBIR LAS NOTIFICACIONES DE PRODUCTOS IMPORTANTES.

Por favor vaya a www.GEAppliances.com o enviar por correo su tarjeta de inscripción.

Para preguntas sobre la instalación, llame al:
800.626.2000 (EE.UU.) o 800-561-3344 (Canadá).