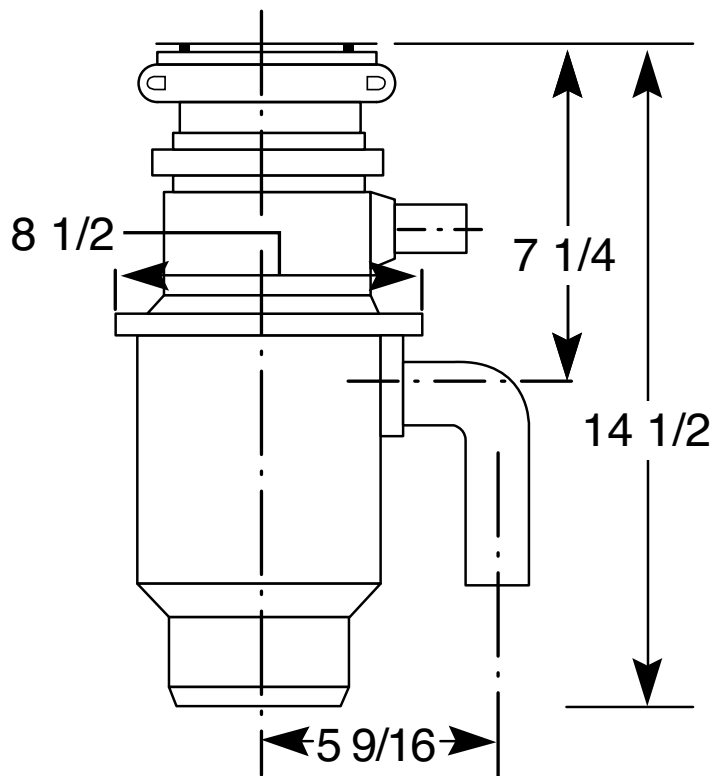




GE Appliances

GFC1020V – GE® 1 Horsepower Continuous Feed Disposer

Disposall® Food Waste Disposer Dimensions (in inches)



Inlet/Outlet Diameters	
Dishwasher inlet diameter (in.)	3/4
Drain outlet diameter (in.)	1-1/2



Listed by
Underwriters
Laboratories

Specification Revised 2/11
350752

For answers to your Monogram®, GE Profile™ or
GE appliance questions, visit our website at
GEAppliances.com or call
GE Answer Center® service, 800.626.2000.



GE Appliances

GFC1020V – GE® 1 Horsepower Continuous Feed Disposer



Features and Benefits

- 1 Horsepower Motor
 - Super Capacity Continuous Feed Disposer
 - Over 3500 RPM Grinding Action*
 - Stainless Steel Jam Resistant, Dual Swivel Impellers
 - EZ mount installation
 - Direct Wire Power Connection
 - Sound Reduction Technology
 - Cold Rolled Carbon Steel Armature Shaft Material
 - SplashGuard
 - Wall Switch with Sink Stopper
 - Manual Reset Overload Protector
 - Dishwasher Drain Connector
 - Stainless Steel Sink Flange
 - Stainless Steel Turntable
 - 2 Level Precutter
 - Model GFC1020V
- * Based on RPM testing of cleared GE and competitive models