

PP944ST

GE Profile™ Series 30" Built-In CleanDesign Electric Cooktop

Dimensions and Installation Information (in inches)

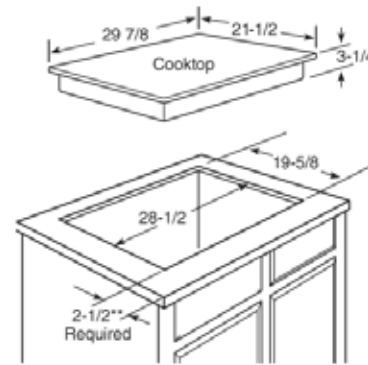
| KW Rating | |
|--------------|----------|
| 240V | 8.5 |
| 208V | 6.4 |
| Breaker Size | |
| 240V | 40 Amps† |
| 208V | 30 Amps† |

†**Note:** Check local codes for required breaker size

Important: Requires a 5" free area between the bottom of the cooktop to any combustible material, i.e., shelving. Free area not required when installing wall oven underneath cooktop. Refer to installation instructions. Requires a 15" minimum from cooktop to adjacent overhead cabinets. Units are furnished with a 48" flexible armored cable.

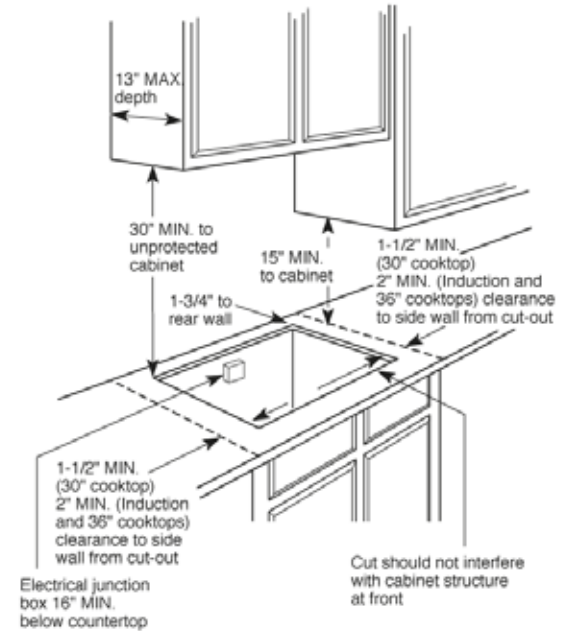
Note: 30" Ribbon cooktops are approved for use over select GE 27" and GE 30" Single Wall Ovens and Warming Drawers. Refer to cooktop and wall oven/warming drawer installation instructions packed with product for current -dimensional data. If installed with a GE Profile™ Telescopic Downdraft System, consult both the cooktop and downdraft installation instructions packed with product before installing. Cooktop gas/electric supply may need to be re-routed to install downdraft. Consult cabinet and countertop manufacturer's specs for flush mount installation prior to install. **Before installing, consult installation instructions packed with product for current dimensional data.**

Filler Trim Kit: When replacing an old GE 30" cooktop (with larger opening) use the following one-piece trim kit to fill in the over-size hole. Available at additional cost. JXTR32W (True White) JXTR32B (Black glass), JXTR32C (True Bisque)



*Depth of unit at conduit connection location (rear) is 6-1/4" on models PP975/945 and 4-3/16" on models CP350/650, PP944/962/932/912, and JP656/356/336. Depth of unit at baffle (front) is 4-5/8" on models PHP960/900.

**Raised bull nose countertops may require up to 3/8" additional clearance to prevent interference with curved front.



imagination at work

For answers to your Monogram® or GE® appliance questions, visit our website at geappliances.com or call GE Answer Center® service, 800.626.2000.



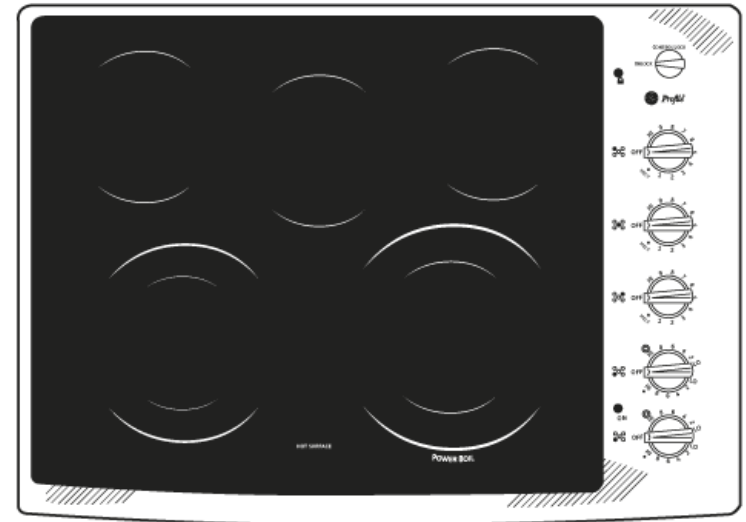
Listed by Underwriters Laboratories

PP944ST

GE Profile™ Series 30" Built-In CleanDesign Electric Cooktop

Features and Benefits

- Ceramic glass cooktop - A smooth cooktop surface makes cleaning quick and easy
- Ribbon heating elements - Powerful heat beneath the smooth surface provides high-speed warm-up and even heating
- 6"/9" Power Boil Element - Accommodates various-size pots or pans and 3,000 watts of power speeds the boiling process
- 5"/8" Dual element - To heating elements in one allows you to choose either a 5" or 8" element for your cookware
- Fifth element cook/warm - Versatile element can keep foods warm and boil water in minutes
- Model PP944STSS - Stainless steel



imagination at work