

JKP90SP

GE® 27" Built-In Double Microwave/Thermal Wall Oven

Dimensions and Installation Information (in inches)

KW Rating	
240V	6.4
208V	4.8
Breaker Size	
240V	30 Amps
208V	30 Amps

Note: Cabinets installed adjacent to wall ovens must have an adhesion spec of at least a 194°F temperature rating.

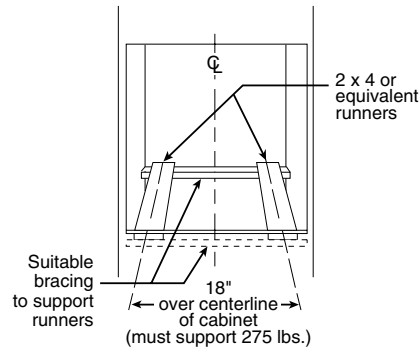
Note: if marks, blemishes or the cutout opening is visible above the installed oven, it may be necessary to add wood shims under the runners and front trim until the marks or openings are covered.

Note: Door handle protrudes 3" from door face. Cabinets and drawers on adjacent 45° and 90° walls should be placed to avoid interference with the handle.

Electric wall ovens are not approved for installation with a plug and receptacle. They must be hard wired in accordance with installation instructions.

Installation Information: Before installing, consult installation instructions packed with product for current dimensional data.

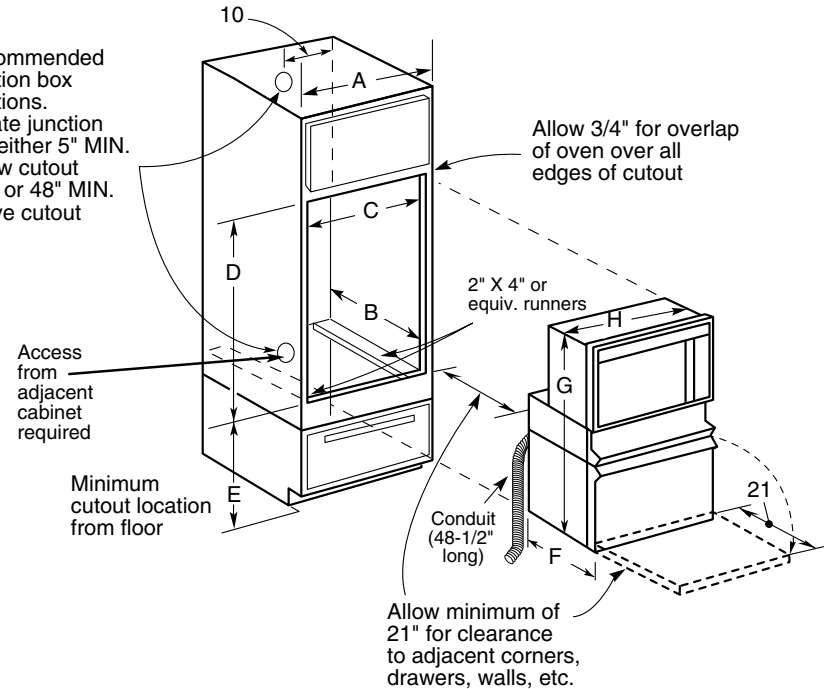
Note: These ovens are not approved for stackable or side-by-side installations.



Cabinet	27"
A - Cabinet width required	27" min.
B - Minimum cabinet depth	23-5/8"
C - Opening width	25" min. - 25-1/4" max
D - Opening height	41-1/4" max
E - Minimum cutout location from floor	22"
Oven	
F - Overall depth*	23-5/8"
G - Overall height with trim	43" - 43-7/8"
Overall height without trim	42-1/8"
H - Overall width	26-5/8"

*Depth including door handle is approximately 26-7/10" min. to 26-8/10" max.

Recommended junction box locations. Locate junction box either 5" MIN. below cutout floor or 48" MIN. above cutout floor



imagination at work

For answers to your Monogram® or GE® appliance questions, visit our website at geappliances.com or call GE Answer Center® service, 800.626.2000.



Listed by Underwriters Laboratories

Specification Revised 3/13

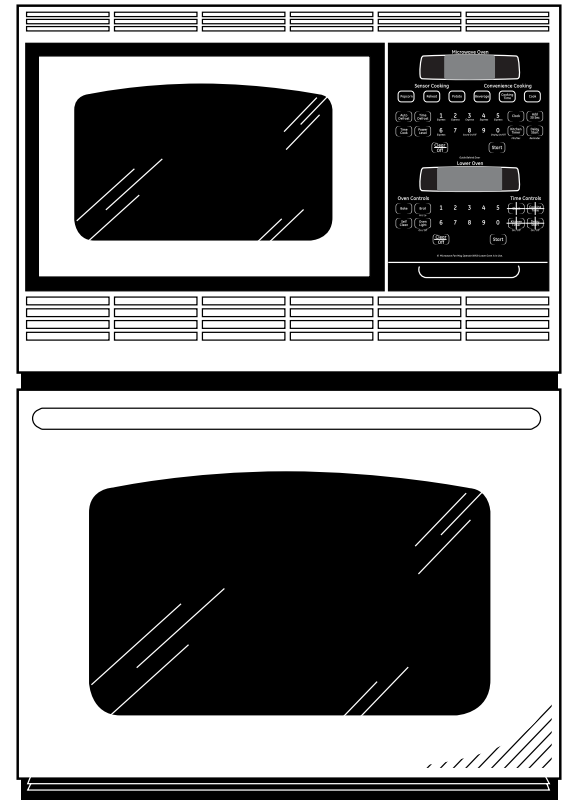
320359

JKP90SP

GE® 27" Built-In Double Microwave/Thermal Wall Oven

Features and Benefits

- Self-clean Oven - Self-clean allows you to spare yourself from the trouble and effort it takes to scrub the oven interior. The oven does all the work!
- Extra-large Oven Capacity - Enough room to cook an entire meal at once
- Electronic oven controls - Electronic pads on the control panel are easy to operate with just a touch
- True Temp Oven System - Provides even heat distribution and precise oven control
- 1.6 Cu. Ft. Capacity (Upper Oven Only) - Provides a large interior to accommodate a variety of cookware, dinnerware and food containers
- Sensor Cooking Controls (upper oven only) - Automatically adjusts time and power for delicious cooking results
- Turntable (upper oven only) - Rotates food throughout the cooking cycle for even cooking results
- Hidden Bake Oven Interior - Conceals the lower oven bake element to eliminate hard-to-reach areas that collect food and spills for easy cleaning
- Model JKP90SPSS - Stainless steel



imagination at work