

JKP30SP

GE® 27" Built-In Single Wall Oven

Dimensions and Installation Information (in inches)

KW Rating	
240V	3.4
208V	2.6
Breaker Size	
240V	20 Amps
208V	20 Amps

Note: These ovens are not approved for stackable or side-by-side installations.

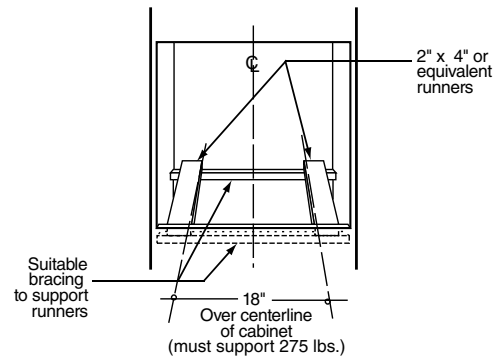
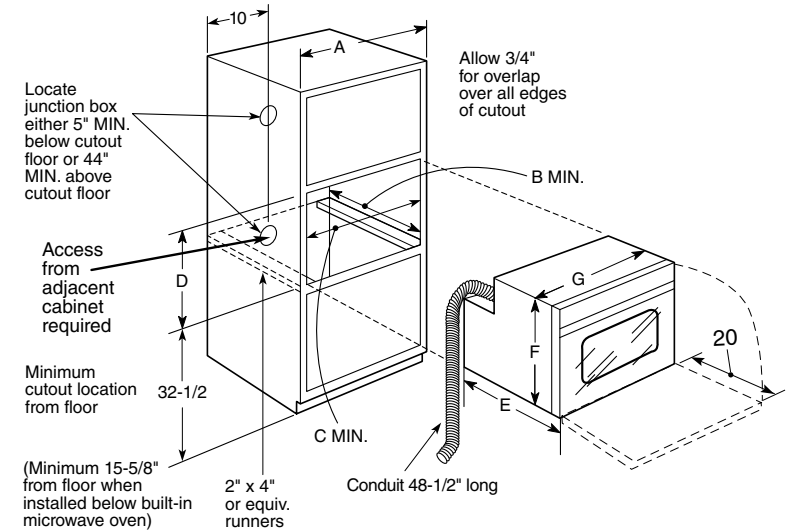
Note: Cabinets installed adjacent to wall ovens must have an adhesion spec of at least a 194°F temperature rating.

Note: For 27" built-in single ovens, if marks, blemishes or the cutout opening is visible above the installed oven, it may be necessary to add wood shims under the runners and front trim until the marks or openings are covered.

Note: Door handle protrudes 3" from door face. Cabinets and drawers on adjacent 45° and 90° walls should be placed to avoid interference with the handle.

Electric wall ovens are not approved for installation with a plug and receptacle. They must be hard wired in accordance with installation instructions.

Installation Information: Before installing, consult installation instructions packed with product for current dimensional data.



Cabinet	27"
A - Cabinet width required	27" min.
B - Minimum cabinet depth	23-1/2"
C - Opening width	25" min. - 25-1/4" max.
D - Opening height	27-5/8" min. - 28-1/8" max.
Oven	
E - Overall depth*	23-5/8"
F - Overall height with trim	29-7/8" - 30-3/4"
Overall height without trim	29"
G - Overall width	26-5/8"

*Depth including door handle is approximately 26-7/10" min. to 26-8/10" max.

For answers to your Monogram® or GE® appliance questions, visit our website at geappliances.com or call GE Answer Center® service, 800.626.2000.



imagination at work



*ADA qualified based on Uniform Federal Accessibility Standards



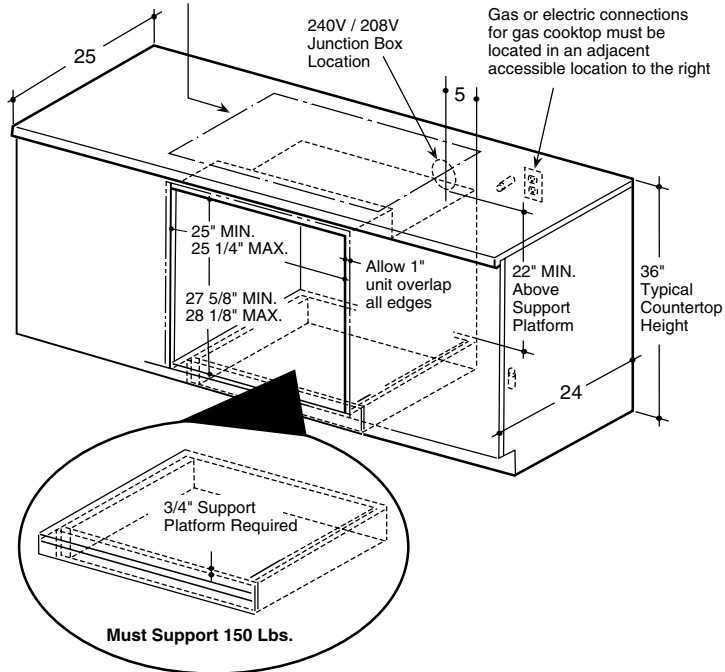
Listed by Underwriters Laboratories

JKP30SP

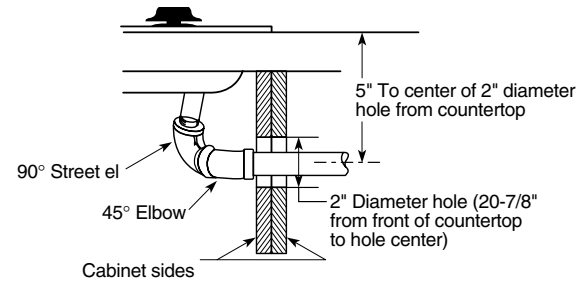
GE® 27" Built-In Single Wall Oven

Undercounter Installation Dimensions

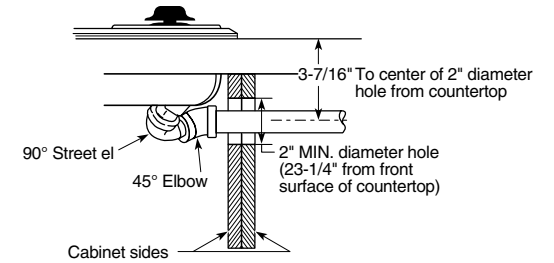
Gas or electric cooktops may be installed over this oven. See cooktop installation instructions for cutout size. See label on top of oven for approved cooktop models.



Sealed Burner Gas Cooktop Installation Dimensions



Standard Burner Gas Cooktop Installation Dimensions



Note: Cabinets installed adjacent to wall ovens must have an adhesion spec of at least a 194°F temperature rating.

Note: Oven is rated for use only under 30" standard or sealed burner gas and selected 30" CleanDesign and Calrod® electric cooktops.

Installation Information: Before installing, consult installation instructions packed with product for current dimensional data.

Electric wall ovens are not approved for installation with a plug and receptacle. They must be hard wired in accordance with installation instructions.

For answers to your Monogram® or GE® appliance questions, visit our website at geappliances.com or call GE Answer Center® service, 800.626.2000.

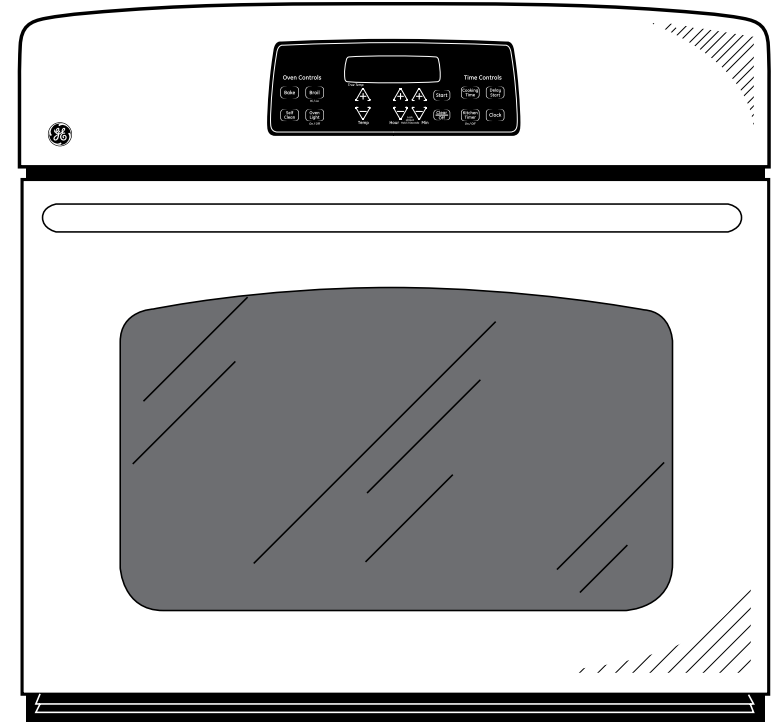


JKP30SP

GE® 27" Built-In Single Wall Oven

Features and Benefits

- Self-clean Oven - Self-clean allows you to spare yourself from the trouble and effort it takes to scrub the oven interior. The oven does all the work!
- 3.8 cu. ft. Capacity - Enough room to cook an entire meal at once
- Electronic Oven Controls - Electronic pads on the control panel are easy to operate with just a touch
- True Temp oven system - Provides even heat distribution and precise oven control
- Hidden Bake Oven Interior - Conceals the lower oven bake element to eliminate hard-to-reach areas that collect food and spills for easy cleaning
- Interior Oven Light - Bright interior light helps you check on the progress of your cooking
- Eight-pass Bake Element - Interior heating element loops eight times to distribute heat quickly and evenly for optimal baking results
- Six-Pass Broil Element - Provides a more even coverage of the food
- Heavy-duty Oven Racks - Tough, durable racks include 50% thicker crossbars for extra strength
- Certified Sabbath Mode - Convenient mode keeps the oven warm in accordance within the restrictions of the kosher kitchen
- Model JKP30SPSS – Stainless steel



imagination at work



Listed by
Underwriters
Laboratories