

# DSKP333EC

## GE Spacemaker® Portable Dryer

### Dimensions and Installation Information (in inches)

#### Dryer Note:

Dryer wall outlet must be located within 36" of service cord entry and accessible when dryer is mounted in position.

#### Special Installation Requirements

##### Alcove or Closet Installation:

- If your dryer is approved for installation in an alcove or closet, it will be stated on a label on the dryer back.
- The dryer MUST be exhausted to the outside.
- Minimum clearances between dryer cabinet and adjacent walls or other surfaces are:
  - 0" either side
  - 3" front and rear
- Minimum vertical space from floor to overhead cabinets, ceilings, etc. is 52".
- Closet doors must be louvered or otherwise ventilated and must contain a minimum of 60 sq. in. of open area equally distributed. If this closet contains both a washer and a dryer, doors must contain a minimum of 120 sq. in. of open area equally distributed.
- No other fuel-burning appliance shall be installed in the same closet with a gas dryer.

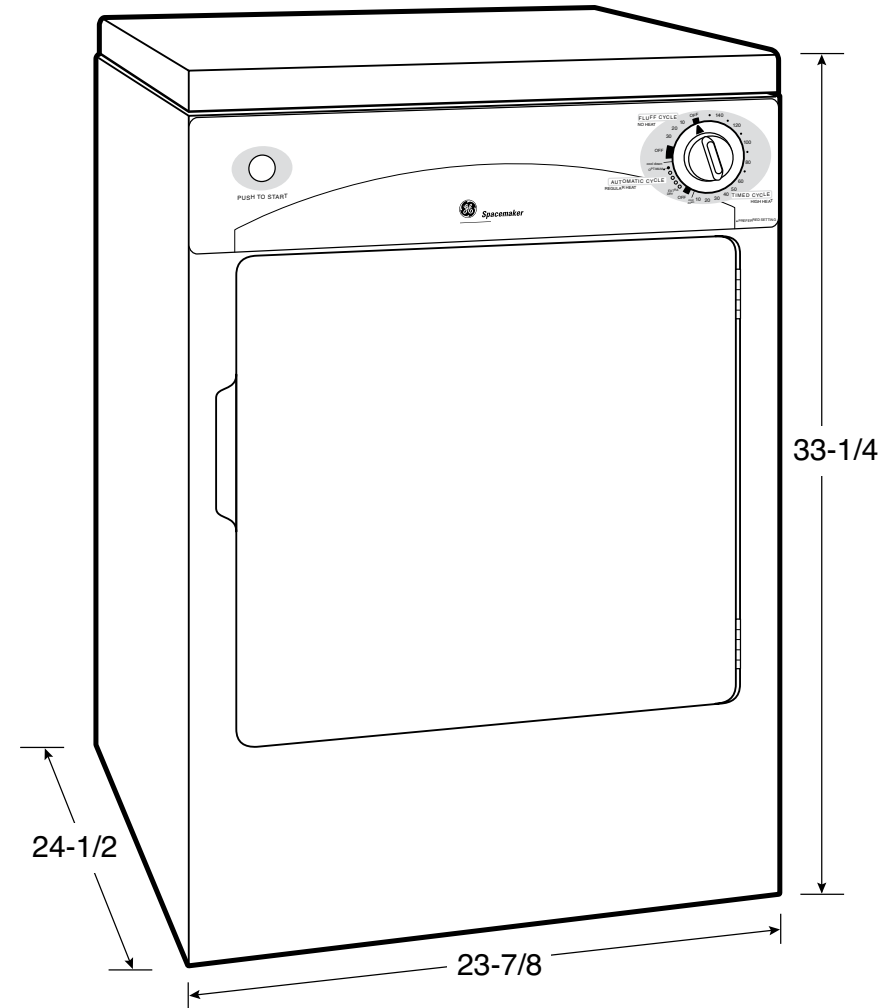
##### Bathroom or Bedroom Installation:

- The dryer MUST be exhausted to the outdoors.
- The installation must conform with the local codes, or in the absence of local codes, with the National Electric Code and National Fuel Gas Code, ANSI Z223 for gas dryers.

##### Minimum Clearances other than Alcove or Closet Installation:

- Minimum clearances to combustible surfaces
  - 0" both sides
  - 3" rear

For answers to your Monogram®, GE Profile™ or GE® appliance questions, visit our website at [geappliances.com](http://geappliances.com) or call GE Answer Center® service, 800.626.2000.



imagination at work

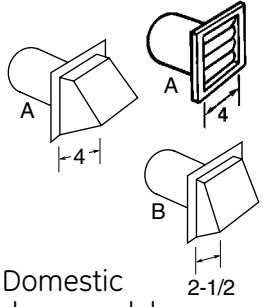


Listed by  
Underwriters  
Laboratories

# DSKP333EC

## GE Spacemaker® Portable Dryer

### Dimensions and Installation Information (in inches)



		Best performance	
		Maximum length of 4" dia. <b>rigid metal</b> duct	
Domestic dryer models	Number of 90° turns	Exhaust hood type	
		A 4" opening	B 2-1/2" opening
DSKS433EB	0	46 ft.	37 ft.
DSKS333EC	1	38 ft.	30 ft.
DSKP333EC	2	31 ft.	22 ft.
WSM2780H	3	24 ft.	15 ft.
WSM2700H	0	56 ft.	42 ft.
	1	46 ft.	36 ft.
	2	34 ft.	28 ft.
	3	32 ft.	18 ft.
WSM2420D*	0	43 ft.	36 ft.
	1	33 ft.	26 ft.
WSM2480D*	2	23 ft.	16 ft.

\*Foil ducting not allowed

For answers to your Monogram®, GE Profile™ or GE® appliance questions, visit our website at [geappliances.com](http://geappliances.com) or call GE Answer Center® service, 800.626.2000.



imagination at work

For complete information, see installation instructions packed with your dryer.

#### Ducting Materials:

For best performance, this dryer should be vented with 4" diameter all rigid metal exhaust duct. If rigid metal duct cannot be used, then UL-listed flexible metal (semi-rigid) ducting can be used (Kit WX08X10077). In special installations, it may be necessary to connect the dryer to the house vent using a flexible metal (foil-type) duct. A UL-listed flexible metal (foil-type) duct may be used ONLY in installations where rigid metal or flexible metal (semi-rigid) ducting cannot be used AND where a 4" diameter can be maintained throughout the entire length of the transition duct. Please see installation instruction packed with your dryer for complete instructions when using flexible metal (foil type) ducting.

#### Exhaust Length Calculation:

1. Determine the number of 90° turns needed for your installation. If you exhaust to the side or bottom of dryer, add one turn.
2. The maximum length of 4' rigid (aluminum or galvanized) duct which can be tolerated is shown in the table.

A turn of 45° or less may be ignored. Two 45° turns within the duct length should be treated as a 90° elbow. A turn over 45° should be treated as a 90° elbow.

Dryers **must** be exhausted to the outside.

**Caution:** For personal safety do not terminate exhaust into a chimney, under any enclosed house floor (crawl space), or into an attic, since the accumulated lint could create a fire hazard or moisture could cause damage. Never terminate the exhaust into a common duct or plenum with a kitchen exhaust, since the combination of lint and grease could create a fire hazard.

Exhaust ducts should be terminated in a dampered wall cap to prevent back drafts, bird nesting, etc. The wall cap must also be located at least 12" above the ground or any other obstruction with the opening pointed down.



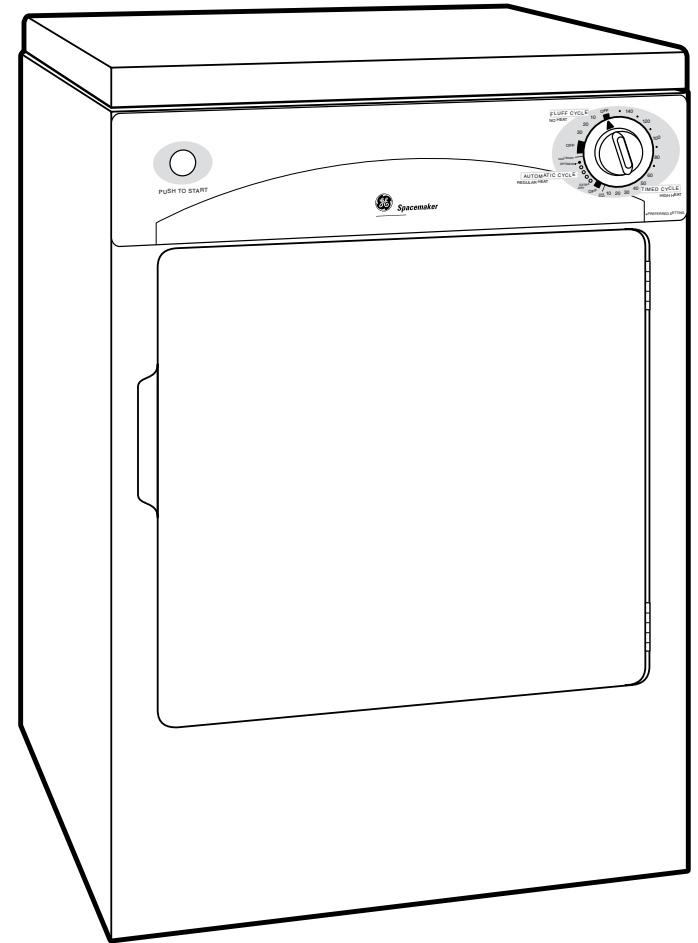
Listed by  
Underwriters  
Laboratories

# DSKP333EC

## GE Spacemaker® Portable Dryer

### Features and Benefits

- 3.6 Cu. Ft. Capacity
- 3 Dry Cycles: Cottons – Automatic regular, timed dry (150 mins.) and quick fluff (no heat) - 30 mins.
- 3 Heat Selections (Timer)
- DuraDrum™ Interior
- Quiet-By-Design™
- Portable Model
- ADA Compliant - Designed for easy operation and access
- Model DSKP333ECWW – White on white



For answers to your Monogram,® GE Profile™ or GE® appliance questions, visit our website at [geappliances.com](http://geappliances.com) or call GE Answer Center® service, 800.626.2000.



imagination at work



Listed by  
Underwriters  
Laboratories