

JP3021DP

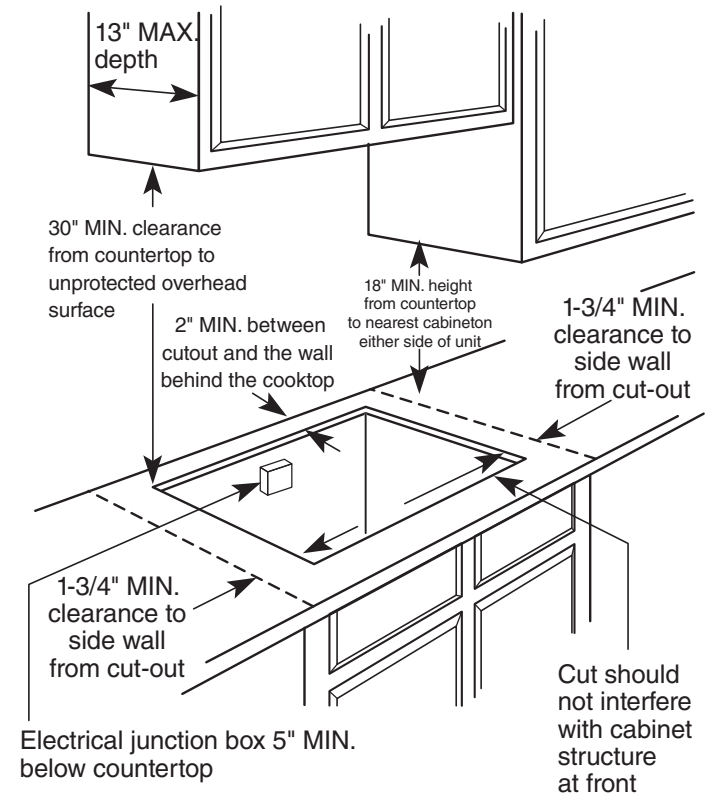
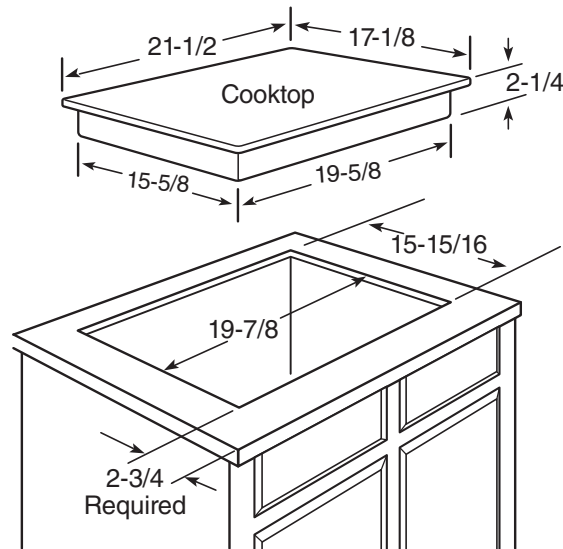
GE® 21" Electric Radiant Cooktop

DIMENSIONS AND INSTALLATION INFORMATION (IN INCHES)

NOTE: Built-In Electric Cooktops require 1-1/2" free area between the bottom of the cooktop and any combustible material, i.e., shelving. Requires an 18" minimum from cooktop to adjacent overhead cabinets. Units are furnished with a 48" flexible armored cable.

INSTALLATION INFORMATION: Before installing, consult installation instructions [Pub. No. 31-0978] packed with product for current dimensional data.

KW RATING	
240V	3.7
208V	2.78



For answers to your Monogram, GE Café™, GE Profile™ or GE Appliances product questions, visit our website at geappliances.com or call GE Answer Center® Service, 800.626.2000.

JP3021DP

GE® 21" Electric Radiant Cooktop

FEATURES AND BENEFITS

Compact Cooktop – Smaller cooktop is ideal for 21" cooktop installations

Ceramic Glass Cooktop – A smooth cooktop surface makes cleaning quick and easy

Ribbon Heating Elements – Provide powerful heat beneath a smooth glass surface to ensure even heat and fast warm-up times

6"/9" Dual Heating Element

Melt Setting – Gently melt delicate foods without scorching

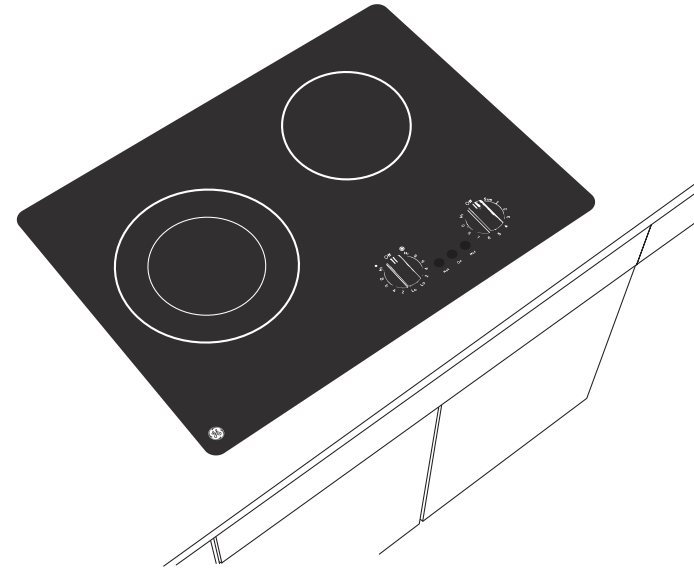
Frameless Design – A smooth and seamless cooktop surface makes cleaning quick and easy

Upfront Controls – Controls are placed within easy reach at the front center of the cooktop

Hot Surface Indicator Lights – Illuminate when the cooking surface is active and hot, adding convenience and safe caution

Heating Element "On" Light – Illuminates when the cooking surface is activated

Model JP3021DPBB – Black



For answers to your Monogram, GE Café™, GE Profile™ or GE Appliances product questions, visit our website at geappliances.com or call GE Answer Center® Service, 800.626.2000.