

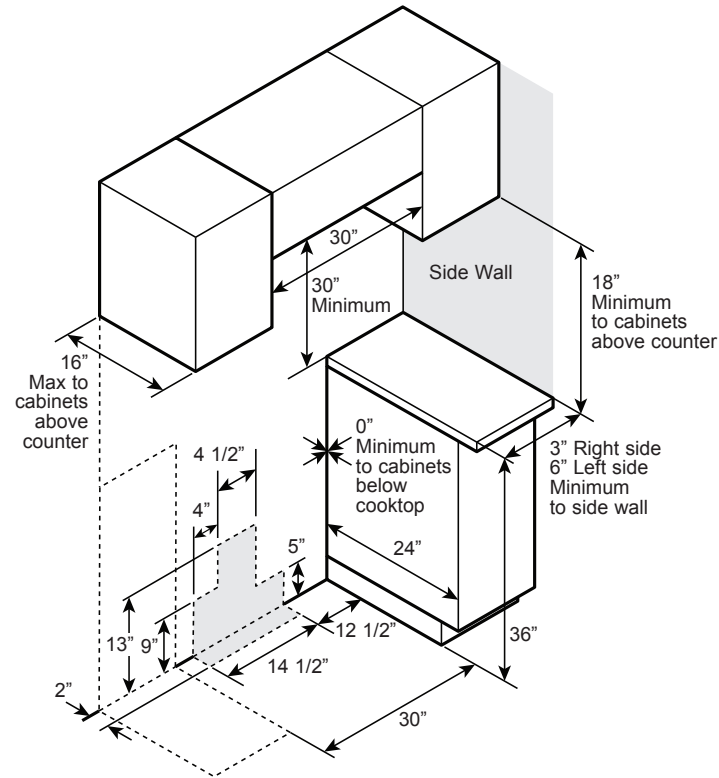
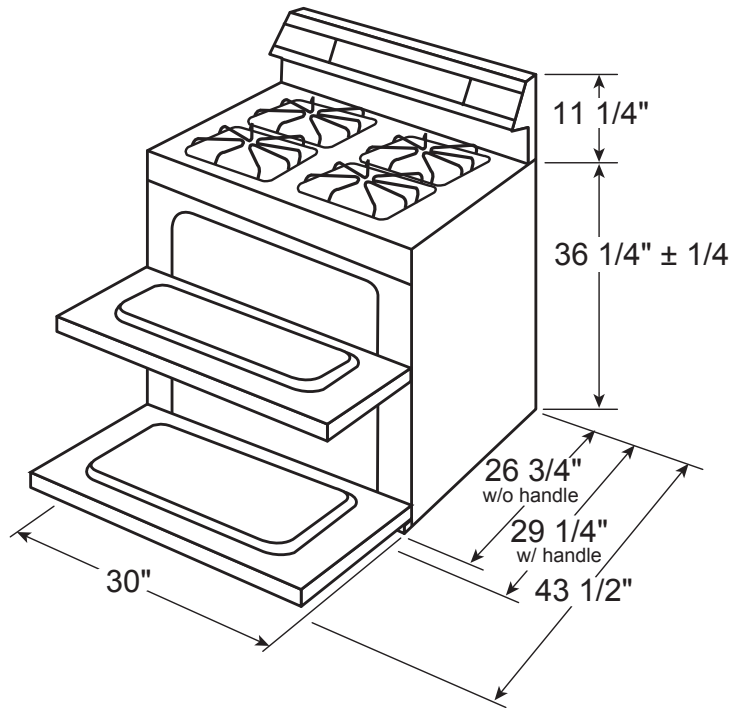
JGBS86SP

GE® 30" Free-Standing Gas Double Oven Convection Range

DIMENSIONS AND INSTALLATION INFORMATION (IN INCHES)

ELECTRICAL RATING: 120V, 60Hz, 15A

INSTALLATION INFORMATION: Before installing, consult installation instructions packed with product for current dimensional data.



For answers to your Monogram, GE Café™ Series, GE Profile™ Series or GE Appliances product questions, visit our website at geappliances.com or call GE Answer Center® Service, 800.626.2000.



All GE Appliances ranges are equipped with an Anti-Tip device. The installation of this device is an important, required step in the installation of the range.



JGBS86SP

GE® 30" Free-Standing Gas Double Oven Convection Range

FEATURES AND BENEFITS

Edge-to-Edge Cooktop – Continuous, edge-to-edge cooktop give you a large cooking space and can handle any cookware.

Integrated Griddle – This integrated non-stick griddle leads the industry in size and quality, so you can cook a lot of food at once.

Power Boil Burner – This 15,000-BTU power boil element produces intense heat to boil water fast.

Center Oval Burner – This center oval burner gives you a fifth burner and the perfect place to use griddles or odd-size cookware.

Steam Clean – A steam cleaning option cleans the oven cavity in a 30-minute cycle with less odor and heat.

Precise Simmer Burner – This burner setting provides low, even heat so delicate dishes don't burn.

Heavy Duty, Dishwasher-Safe Grates – These cooktop grates can be cleaned one of two ways – either in the dishwasher, or on the bottom of a self-clean oven.

Large Capacity Double Oven – Cook an entire meal at once with a 6.8 cubic foot total capacity double oven which provides enough room for multiple dishes.

Sealed Cooktop Burners – Sealed cooktop burners contain cooking spills so cleanup is quick and easy.

Deep-Recessed Cooktop – This deep-recessed gas cooktop contains cooking spills and makes it easier to clean up.

Model JGBS86SPSS – Stainless Steel

