

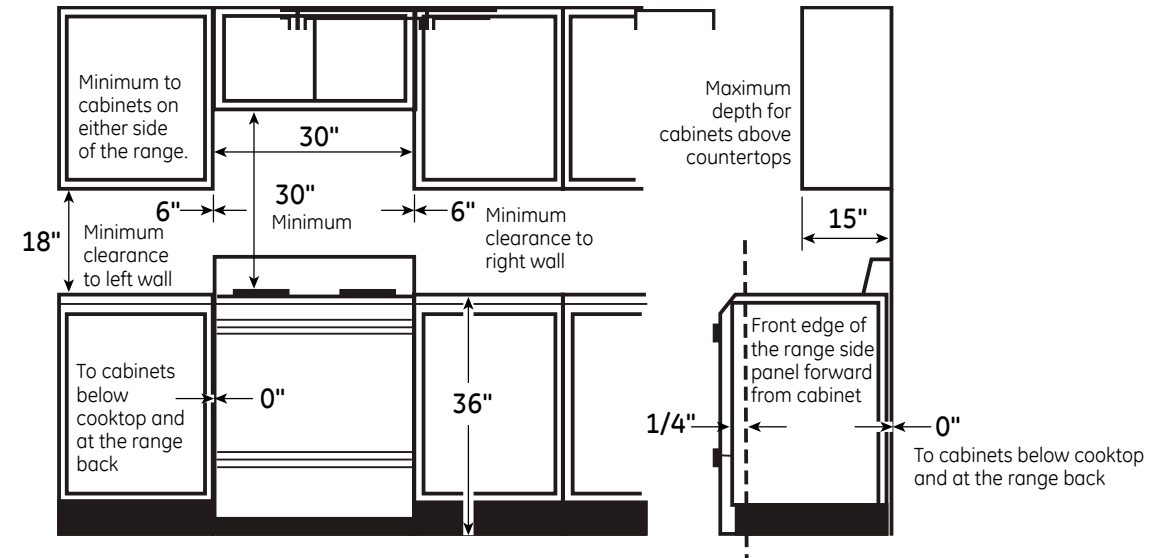
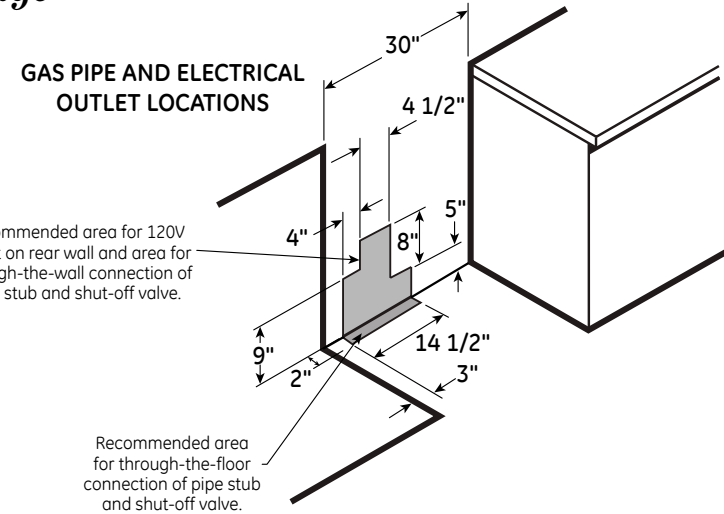
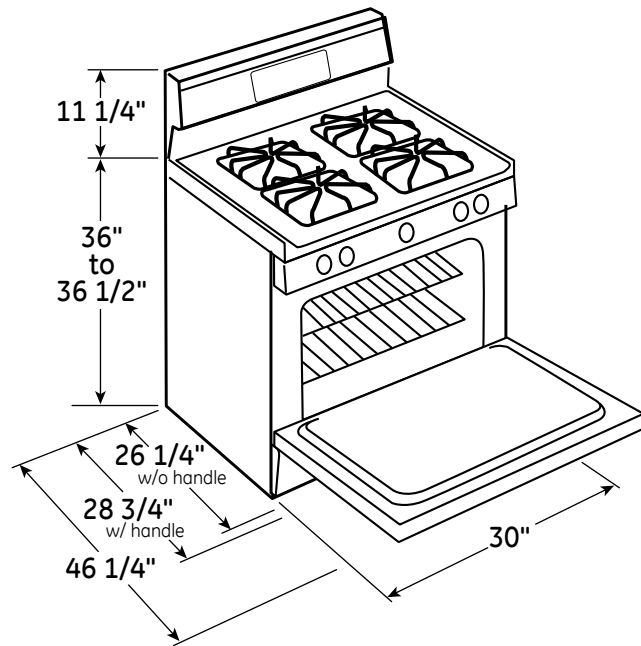
PGB911EEJ

GE Profile™ Series 30" Free-Standing Gas Convection Range

DIMENSIONS AND INSTALLATION INFORMATION (IN INCHES)

Electrical Rating: 120V, 60Hz, 15A

INSTALLATION INFORMATION: Before installing, consult installation instructions packed with product for current dimensional data.



GE APPLIANCES

For answers to your Monogram,® GE Profile™ or GE® appliance questions, visit our website at geappliances.com or call GE Answer Center® service, 800.626.2000.



All GE ranges are equipped with an Anti-Tip device. The installation of this device is an important, required step in the installation of the range.



PGB911EEJ

GE Profile™ Series 30" Free-Standing Gas Convection Range

FEATURES AND BENEFITS

Edge-to-edge cooktop – A large, continuous cooking surface gives you extra room for pots and pans of all sizes and lets cookware move easily from burner to burner

Extra-large, integrated reversible cast iron grill/griddle – Enjoy ultimate cooking versatility. Cook up to six grilled cheeses on the industry's largest integrated griddle, and then flip it over to grill your favorite foods.

Two extra-large 18k Power Boil burners – Get twice the high-heat cooking power with two up-front extra-large burners

18,000 BTU Power Boil burner – Boil water fast with intense heat from this 18,000 BTU burner

Gas convection oven – Circulates heat for high-quality results

Chef Connect – Three options with a single touch. For instant convenience, choose when to automatically sync clocks and the range burners with the microwave's surface light and vent.

3 oven racks – Enjoy extra oven space with three adjustable racks

Center oval burner – Large oval fifth burner is ideal for griddles

Self-clean with Steam Clean option – Clean your oven the way you want

Heavy cast, dishwasher safe grates – Easily and safely clean grates in the dishwasher

Precise Simmer burner – Delicate foods don't burn with low, even heat

Model PGB911EEJES – Slate



GE APPLIANCES