

CW9000SJSS

GE Cafe™ Series 30" Warming Drawer

Dimensions and Installation Information (in inches)

Optional Accessories: ZXD30B –1/4" panel kit capability

Note: Custom panel will not be flush with adjacent cabinetry drawers and doors.

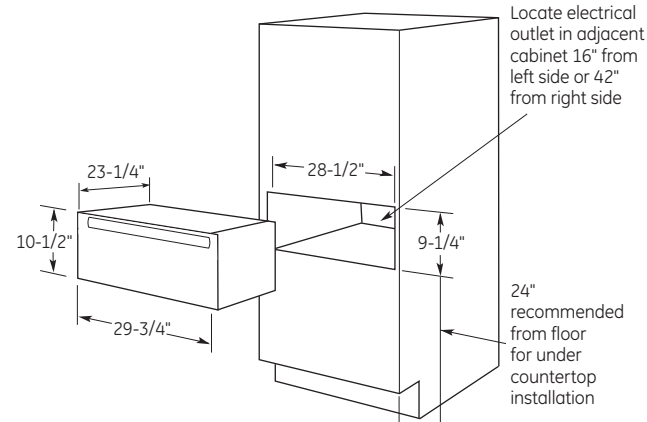
Undercounter Installation: A solid barrier must be installed at least 1" from the lowest point of the bottom of cooktop burner box to the top of the cutout. Use any solid material such as 1/4"-thick plywood. Allow at least 1/4" air gap between the barrier and the top of the warming drawer. See label on top of the warming drawer for approved cooktop models.

Under Oven Installation: Additional clearance between cutouts may be required. Check to be sure that oven supports above the warming drawer location do not obstruct the required interior 23-1/2" depth and 9-1/4" height.

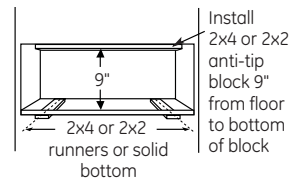
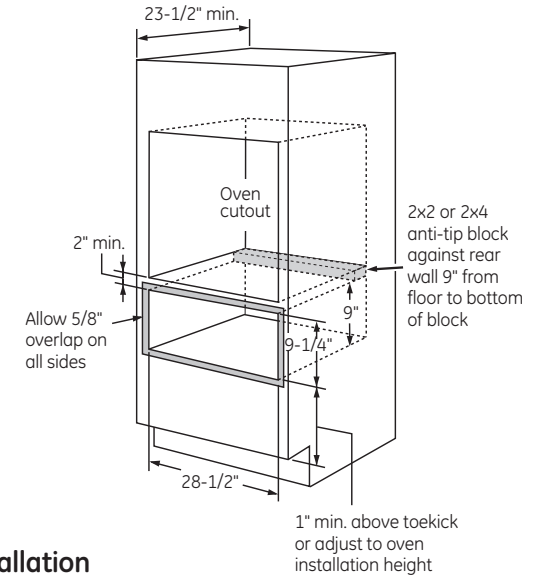
Door handle protrudes 2-1/2" from door face. Cabinets and drawers on adjacent 45° and 90° walls should be placed to avoid interference with the handle.

Installation Information: Before installing, consult installation instructions packed with product for current dimensional data.

Warming Drawer Dimensions



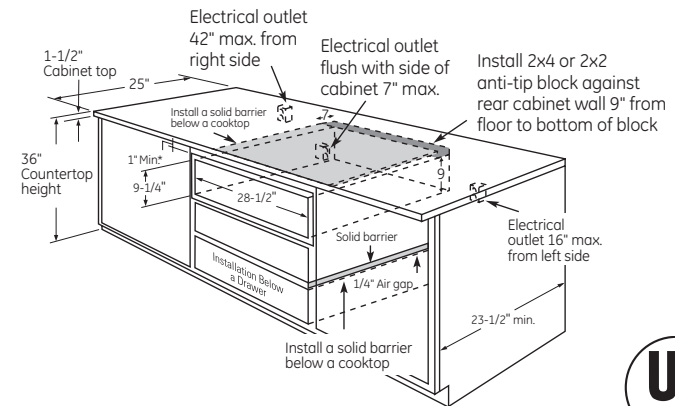
Under Oven Installation



(Must Support 150 lbs.)

	A	B
30" Drawer	28-1/2"	29-3/4"

Undercounter Installation



KW Rating	
120V	.45
Breaker Size	
120V	15 Amps



imagination at work

For answers to your Monogram® or GE® appliance questions, visit our website at geappliances.com or call GE Answer Center® service, 800.626.2000.



Listed by Underwriters Laboratories

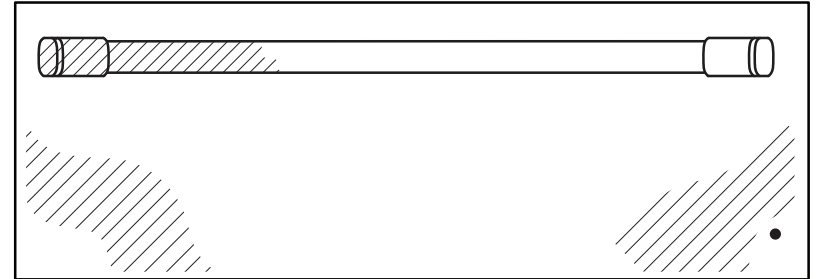
Specification Created 10/14

CW9000SJSS

GE Cafe™ Series 30" Warming Drawer

Features and Benefits

- Variable degree control - Provides temperature settings from 80 degrees to 210 degrees to deliver flexible warming performance for a variety of needs
- Variable humidity control - Customized warming from crisp to moist
- Frameless drawer front - Offers a smooth appearance
- "On" indicator light - Illuminates when warming drawer is operating
- Half rack - Maximizes drawer space
- Model CW9000SJSS – Stainless steel



imagination at work