



Top-Freezer Refrigerators

Safety Instructions2-3

Operating Instructions

Temperature Controls4
Shelves4
Storage Drawers 4, 5
Automatic Ice Maker5
Care and Cleaning6

Installation Instructions

Preparing to Install
the Refrigerator7
Water Line Installation 8-10
Reversing the Door Swing11-14

Troubleshooting Tips

Normal Operating Sounds 15
Service..... 16

Consumer Support

Warrantys 17
Consumer Support Back Cover

Write the model and serial numbers here:

Model # _____

Serial # _____

Find these numbers on a label on the left side, near the middle of the refrigerator compartment.

Owner's Manual and Installation Instructions

Models 15,16,18

Congélateur supérieur
Réfrigérateurs

Manuel d'utilisation et d'installation

La section française commence à la page 19

Congelador superior
Refrigeradores

Manual del propietario e instalación

La sección en español empieza en la página 37

IMPORTANT SAFETY INFORMATION. READ ALL INSTRUCTIONS BEFORE USING.

SAFETY

IMPORTANT SAFETY INFORMATION READ ALL INSTRUCTIONS BEFORE USING



GE Appliances website

For more information on your refrigerator's operation, visit www.GEAppliances.com or call 800.GECARES (800.432.2737). In Canada visit GEAppliances.ca or call 800.561.3344.

REFRIGERATOR SAFETY INFORMATION

! This is the safety alert symbol. This symbol alerts you to potential hazards that can kill or hurt you and others. All safety messages will follow the safety alert symbol and the word "DANGER", "WARNING", or "CAUTION". These words are defined as:

! DANGER

Indicates a hazardous situation which, if not avoided, **will** result in death or serious injury.

! WARNING

Indicates a hazardous situation which, if not avoided, **could** result in death or serious injury.

! CAUTION

Indicates a hazardous situation which, if not avoided, **could** result in minor or moderate injury.

IMPORTANT SAFETY INSTRUCTIONS

! WARNING

To reduce the risk of fire, explosion, electric shock, or injury when using your refrigerator follow these basic safety precautions:

- This refrigerator must be properly installed and located in accordance with the Installation Instructions before it is used.
- Unplug the refrigerator before cleaning and making repairs. NOTE: Repairs must be performed by a qualified Service Professional.
- Replace all parts and panels before operating.
- Because of potential safety hazards under certain conditions, we strongly recommend against the use of an extension cord. However, if you must use an extension cord, it is absolutely necessary that it be a UL-listed (in the United States) or a CSA certified (in Canada), 3-wire grounding type appliance extension cord having a grounding type plug and outlet and that the electrical rating of the cord be 15 amperes (minimum) and 120 volts.
- To prevent suffocation and entrapment hazards to children, Remove the fresh food and freezer doors from any refrigerator before disposing of it or discontinuing its use.
- Do not store or use gasoline or other flammable vapors and liquids in the vicinity of this or any other appliance.
- Power to the refrigerator cannot be disconnected by any setting on the control panel, refrigerator must be unplugged to remove power.
- Do not allow children to climb, stand or hang on the door handles or the shelves in the refrigerator. They could seriously injure themselves.
- In refrigerators with automatic ice makers, avoid contact with the moving parts of the ejector mechanism, or with the heating element that releases the cubes. Do not place fingers or hands on the automatic ice making mechanism while the refrigerator is plugged in.
- Do not clean glass shelves or covers with warm water when they are cold. Glass shelves and covers may break if exposed to sudden temperature changes or impact, such as bumping or dropping. Tempered glass is designed to shatter into many small pieces if it breaks.
- Keep fingers out of the "pinch point" areas; clearances between the doors and between the doors and cabinet are necessarily small. Be careful closing doors when children are in the area.
- Do not touch the cold surfaces in the freezer compartment when hands are damp or wet., skin may stick to these extremely cold surfaces.
- Do not refreeze frozen foods which have thawed completely.
- Before replacing a burned-out light bulb, the refrigerator should be unplugged in order to avoid contact with a live wire filament. (A burned-out light bulb may break when being replaced.)

IMPORTANT SAFETY INFORMATION. READ ALL INSTRUCTIONS BEFORE USING.

SAFETY (CONT.)

INSTALLATION

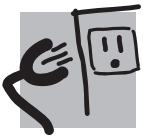
WARNING Explosion Hazard.

Keep flammable materials and vapors, such as gasoline, away from refrigerator. Failure to do so can result in fire, explosion, or death.

CONNECTING ELECTRICITY

WARNING Electrical Shock Hazard.

Plug into a grounded 3-prong outlet
Do not remove the ground prong
Do not use an adapter
Failure to follow these instructions can result in death, fire, or electrical shock.



Do not, under any circumstances, cut or remove the third (ground) prong from the power cord. For personal safety, this appliance must be properly grounded.

The power cord of this appliance is equipped with a 3-prong (grounding) plug which mates with a standard 3-prong (grounding) wall outlet to minimize the possibility of electric shock hazard from this appliance.

Have the wall outlet and circuit checked by a qualified electrician to make sure the outlet is properly grounded.

Where a standard 2-prong wall outlet is encountered, it is your personal responsibility and obligation to have it replaced with a properly grounded 3-prong wall outlet. Do not use an adapter.

The refrigerator should always be plugged into its own individual electrical outlet which has a voltage rating that matches the rating plate.

A 115 Volt AC, 60 Hz, 15- or 20-amp fused, grounded electrical supply is required. This provides the best performance and also prevents overloading house wiring circuits which could cause a fire hazard from overheated wires.

Never unplug your refrigerator by pulling on the power cord. Always grip plug firmly and pull straight out from the outlet.

Repair or replace immediately all power cords that have become frayed or otherwise damaged. Do not use a cord that shows cracks or abrasion damage along its length or at either end.

When moving the refrigerator away from the wall, be careful not to roll over or damage the power cord.

PROPER DISPOSAL OF YOUR OLD REFRIGERATOR

WARNING Suffocation and child entrapment hazard.

Remove fresh-food and freezer doors from the refrigerator, prior to disposal. Failure to do so can result in child entrapment which can lead to death or brain damage.

IMPORTANT:



Child entrapment and suffocation are not problems of the past. Junked or abandoned refrigerators are still dangerous even if they will sit for "just a few days." If you are getting rid of your old refrigerator, please follow the instructions below to help prevent accidents.

Before You Throw Away Your Old Refrigerator or Freezer:

- Take off the fresh food and freezer doors.
- Leave the shelves in place so that children may not easily climb inside.

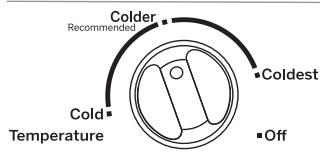
Refrigerants

All refrigeration products contain refrigerants, which under federal law must be removed prior to product disposal. If you are getting rid of an old refrigeration product, check with the company handling the disposal about what to do.



**READ AND FOLLOW THIS SAFETY INFORMATION CAREFULLY.
SAVE THESE INSTRUCTIONS**

About the temperature control.



The temperature control adjusts the refrigerator from its warmest to coldest settings. Your refrigerator will come with the recommended factory setting on "Colder". For colder temperature, turn the knob clockwise to setting "Coldest". For warmer temperature, turn the dial counter-clockwise to setting "Cold". To turn off the cooling in both compartments, turn the knob clockwise to setting "Off". Note that this does not shut off power to the refrigerator.

About the fresh food compartment shelves.

Shelf supports at various levels allow you to custom-space your shelves. Not all features are on all models.



To remove the full-width shelves



Full-Width Shelves

Some models have a stationary tempered glass shelf, a spillproof shelf or two steel wire stationary shelves. These shelves can be moved to another place in the fresh food compartment.

When placed correctly on the shelf supports, the shelf will stop before coming completely out of the refrigerator and will not tilt when you place food on it or remove food from it.

CAUTION

Do not clean glass shelves or covers with warm water when they are cold. Glass shelves and covers may break if exposed to sudden temperature changes or impact such as bumping or dropping. Tempered glass is designed to shatter into many small pieces if it breaks.

About the freezer compartment shelves.



Freezer Compartment Shelf

When placed correctly on the shelf supports, the two steel wire stationary shelves will stop before coming completely out of the freezer and will not tilt when you place food on it or remove food from it.

Glass Shelves

Some models have glass shelves.

CAUTION

Do not clean glass shelves or covers with warm water when they are cold. Glass shelves and covers may break if exposed to sudden temperature changes or impact such as bumping or dropping. Tempered glass is designed to shatter into many small pieces if it breaks.

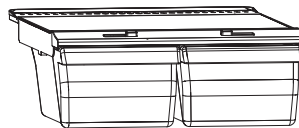
About the storage drawers..

Not all features are on all models.



Snack Drawer

The snack drawer can be moved to the most useful location for your family's needs.



Fruit and Vegetable Drawers

Excess water that may accumulate in the bottom of the drawers should be emptied and the drawers wiped dry.

About storage drawer and cover removal.

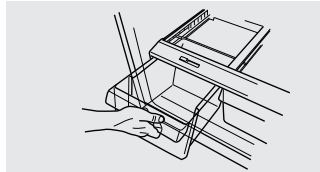
Not all features are on all models.



Humidity Controlled Drawer (on some models)

Slide the control all the way to the **HIGH** setting to provide high humidity recommended for most vegetables.

Slide the control all the way to the **LOW** setting to provide lower humidity levels recommended for most fruits.



Drawer Removal

Drawers can be removed easily by grasping the sides and lifting up slightly while pulling drawers past the **stop** location.



Cover Removal

To remove:

- 1 Remove the drawers.
- 2 Reach in, push the back of glass cover up, and at the same time, pull it backward as far as it will come.

Tilt it and take it out. Avoid cleaning the cold glass cover with hot water because the extreme temperature difference may cause it to break.

- 3 Remove the drawer frame. (Always remove the glass cover before you take out the drawer frame.)

Lift the frame off the supports at each side and back, pull it forward, tilt it and take it out.

To replace:

- 1 Lower the frame until it rests on the supports at each side and back.
- 2 Replace the glass cover, pushing its front edge firmly into the front frame channel and gently lowering the back into place.
- 3 Replace the drawers.



About the automatic ice maker

A newly-installed refrigerator may take 12–24 hours to begin making ice.



CAUTION

Avoid contact with the moving parts of the ejector mechanism, or with the heating element (located on the bottom of the ice maker) that releases the cubes. Do not place fingers or hands on the automatic ice making mechanism while the refrigerator is plugged in.

Automatic Ice maker (on some models).

The ice maker will produce approximately 70-100 cubes in a 24-hour period, depending on the freezer compartment temperature, room temperature, number of door openings and other use conditions.

If the refrigerator is operated before the water connection is made to the ice maker, set the switch **OFF**.

When the refrigerator has been connected to the water supply, set the switch **ON** position.

The ice maker will fill with water when it cools to 15°F. A newly-installed refrigerator may take 12 to 24 hours to begin making ice cubes.

Once the ice maker starts to make ice, it may take up to 48 hours to fill the bin, depending on the temperature settings and number of door openings. You will hear a buzzing sound each time the ice maker fills with water.

NOTICE: Throw away the first few batches of ice to allow the water line to clear.

Be sure nothing interferes with the sweep of the feeler arm.

When the bin fills to the level of the feeler arm, the ice maker will stop producing ice.

It is normal for several cubes to be joined together.

If ice is not used frequently, old ice cubes will become cloudy, taste stale, shrink or fuse together.

Ice maker accessory kit:

If your refrigerator did not already come equipped with an automatic ice maker, an ice maker accessory kit is available at extra cost.

Check the back of the refrigerator for the specific ice maker kit needed for your model.

Care and cleaning of the refrigerator.

Cleaning the Outside

The door handles and trim (on some models). Clean with a cloth dampened with soapy water. Dry with a soft cloth.

Keep the outside clean. Wipe with a clean cloth lightly dampened with kitchen appliance wax or mild liquid dish detergent. Dry and polish with a clean, soft cloth.

Do not wipe the refrigerator with a soiled dish cloth or wet towel. These may leave a residue that can erode the paint. Do not use scouring pads, powdered cleaners, bleach or cleaners containing either bleach or ammonia because these products can scratch and weaken the paint finish.

The stainless steel doors and door handles (on some models) can be cleaned with a commercially available stainless steel cleaner. Cleaners with oxalic acid such as Bar Keepers Friend Soft Cleanser™ will remove rust, tarnish and small blemishes. Use only a liquid cleanser free of grit and rub in the direction of the brush lines with a damp soft sponge. Do not use appliance wax or polish on the stainless steel.

Cleaning the Inside

To help prevent odors, leave an open box of baking soda in the fresh food and freezer compartments.

Unplug the refrigerator before cleaning.

If this is not practical, wring excess moisture out of sponge or cloth when cleaning around switches, lights or controls.

Use warm water and baking soda solution—about a tablespoon (15 ml) of baking soda to a quart (1 liter) of water. This both cleans and neutralizes odors. Rinse and wipe dry.

After cleaning the door gaskets, apply a thin layer of petroleum jelly to the door gaskets at the hinge side. This helps keep the gaskets from sticking and bending out of shape.

CAUTION Do not clean glass shelves or covers with warm water when they are cold. Glass shelves and covers may break if exposed to sudden temperature changes or impact such as bumping or dropping. Tempered glass is designed to shatter into many small pieces if it breaks. Do not wash any plastic refrigerator parts in the dishwasher.

Moving the Refrigerator

Be careful when moving the refrigerator away from the wall. All types of floor coverings can be damaged, particularly cushioned coverings and those with embossed surfaces.

Turn the leveling legs at each front corner of the refrigerator counterclockwise until the rollers support the refrigerator. Pull the refrigerator straight out and return it to position by pushing it straight in. **Moving the refrigerator in a side direction may result in damage to the floor covering or refrigerator.**

When pushing the refrigerator back, make sure you don't roll over the power cord or ice maker supply line (on some models).

After rolling the refrigerator back into place, turn the legs clockwise until the legs again bear the weight of the refrigerator.

Light Bulb Replacement

WARNING Before replacing a burned-out light bulb, the refrigerator should be unplugged in order to avoid contact with a live wire filament. (A burned-out light bulb may break when being replaced.)

Turning the control to the **OFF** position does not remove power to the light circuit.

Preparing for Vacation

For long vacations or absences, remove food and unplug the refrigerator. Move the temperature control dial to the **OFF** position, and clean the interior with a baking soda solution of one tablespoon (15 ml) of baking soda to one quart (1 liter) of water. Leave the doors open.

Move the switch to the OFF position on the power switch model, and shut off the water supply to the refrigerator.

If the temperature can drop below freezing, have a qualified servicer drain the water supply system (on some models) to prevent serious property damage due to flooding.

Preparing to Move

Secure all loose items such as grille, shelves and drawers by taping them securely in place to prevent damage. To prevent the doors from opening while moving, secure them to the case with tape. Be sure the refrigerator stays in an upright position during moving.

Installation Instructions *Models 15, 16, 18*

If you have questions, call 1.800.GE.CARES or visit our Website at: GEAppliances.com

In Canada, call 1.800.561.3344 or Visit our Website at: www.geappliances.ca

BEFORE YOU BEGIN

Read these instructions completely and carefully.

- **IMPORTANT** – Save these instructions for local inspector's use.
- **IMPORTANT** – Observe all governing codes and ordinances.
- **Note to Installer** – Be sure to leave these instructions with the Consumer.
- **Note to Consumer** – Keep these instructions for future reference.
- **Skill level** – Installation of this appliance requires basic mechanical skills.
- **Completion time** – Refrigerator Installation
15 minutes
Reversing the Door Swing
15 minutes
- Proper installation is the responsibility of the installer.
- Product failure due to improper installation is not covered under the Warranty.

WATER SUPPLY TO THE ICE MAKER (on some models)

If the refrigerator has an ice maker, it will have to be connected to a cold water line. A water supply kit (containing copper tubing, shutoff valve, fittings and instructions) is available at extra cost from your dealer, by visiting our Website at GEAppliances.com (in Canada at www.geappliances.ca) or from Parts and Accessories, 1.877.959.8688.

REFRIGERATOR LOCATION

- Do not install the refrigerator where the temperature will go below 55°F (12.7°C) because it will not run often enough to maintain proper temperatures.
- Install it on a floor strong enough to support it fully loaded.

CLEARANCES

Allow the following clearances for ease of installation, proper air circulation and plumbing and electrical connections.

- Sides 3/4" (19 mm)
- Top 1" (25 mm)
- Back 2" (50 mm)

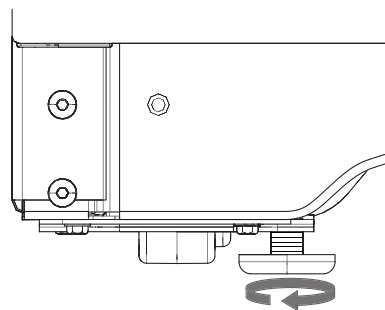
ROLLERS AND LEVELING LEGS

Leveling legs near each front corner of the refrigerator are adjustable. They firmly position the refrigerator and prevent it from moving when the doors are opened. Leveling legs should be set so the front of the refrigerator is raised just enough that the doors close easily when opened about halfway.

Turn the leveling legs **clockwise to raise** the refrigerator, **counterclockwise to lower it**.

Rollers next to the leveling legs allow you to move the refrigerator away from the wall for cleaning.

Turn the legs counterclockwise until the weight of the refrigerator is transferred from them to the rollers. After rolling the refrigerator back into place, turn the legs clockwise until the legs again bear the weight of the refrigerator.



Installation Instructions

1 INSTALLING THE WATER LINE (ON SOME MODELS)

BEFORE YOU BEGIN

Recommended copper water supply kits are WX8X2, WX8X3 or WX8X4, depending on the amount of tubing you need. Approved plastic water supply lines are GE SmartConnect™ Refrigerator Tubing (WX08X10006, WX08X10015 and WX08X10025).

When connecting your refrigerator to a GE Reverse Osmosis Water System, the only approved installation is with a GE RVKit. For other reverse osmosis water systems, follow the manufacturer's recommendations.

This water line installation is not warranted by the refrigerator or ice maker manufacturer. Follow these instructions carefully to minimize the risk of expensive water damage.

Water hammer (water banging in the pipes) in house plumbing can cause damage to refrigerator parts and lead to water leakage or flooding. Call a qualified plumber to correct water hammer before installing the water supply line to the refrigerator.

To prevent burns and product damage, do not hook up the water line to the hot water line.

If you use your refrigerator before connecting the water line, make sure the ice maker power switch is in the **OFF** position (on power switch models) or operating arm is in **OFF** position.

Do not install the ice maker tubing in areas where temperatures fall below freezing.

When using any electrical device (such as a power drill) during installation, be sure the device is double insulated or grounded in a manner to prevent the hazard of electric shock, or is battery powered.

All installations must be in accordance with local plumbing code requirements.



Connect to potable water supply only.

WHAT YOU WILL NEED

- **Copper or GE SmartConnect™ Refrigerator Tubing kit**, 1/4" outer diameter to connect the refrigerator to the water supply. If using copper, be sure both ends of the tubing are cut square.

To determine how much tubing you need: measure the distance from the water valve on the back of the refrigerator to the water supply pipe. Then add 6' (1.8 m). Be sure there is sufficient extra tubing (about 6' [1.8 m] coiled into 2 turns of about 10" [25 cm] diameter) to allow the refrigerator to move out from the wall after installation.

WHAT YOU WILL NEED (CONT.)

GE SmartConnect™ Refrigerator Tubing Kits are available in the following lengths:

6' (1.8 m) – WX08X10006

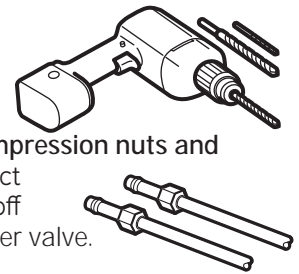
15' (4.6 m) – WX08X10015

25' (7.6 m) – WX08X10025

Be sure that the kit you select allows at least 6' (1.8 m) as described above.

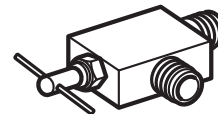
NOTE: The only GE approved plastic tubing is that supplied in GE SmartConnect™ Refrigerator Tubing kits. Do not use any other plastic water supply line because the line is under pressure at all times. Certain types of plastic will crack or rupture with age and cause water damage to your home.

- **A GE water supply kit** (containing tubing, shutoff valve and fittings listed below) is available at extra cost from your dealer or from Parts and Accessories.
- **A cold water supply.** The water pressure must be between 20 and 120 p.s.i. (1.4–8.1 bar).
- **Power drill.**
- **1/2" or adjustable wrench.**
- **Straight and Phillips blade screwdriver.**
- **Two 1/4" outer diameter compression nuts and 2 ferrules (sleeves)**—to connect the copper tubing to the shutoff valve and the refrigerator water valve.



OR

- If you are using a GE SmartConnect™ Refrigerator Tubing kit, the necessary fittings are preassembled to the tubing.
- If your existing copper water line has a flared fitting at the end, you will need an **adapter** (available at plumbing supply stores) to connect the water line to the refrigerator **OR** you can cut off the flared fitting with a **tube cutter** and then use a compression fitting. Do not cut formed end from GE SmartConnect™ Refrigerator tubing.



- **Shutoff valve** to connect to the cold water line. The shutoff valve should have a water inlet with a minimum inside diameter of 5/32" at the point of connection to the **COLD WATER LINE**. Saddle-type shutoff valves are included in many water supply kits. Before purchasing, make sure a saddle-type valve complies with your local plumbing codes.

Installation Instructions

1 INSTALLING THE WATER LINE (CONT.)

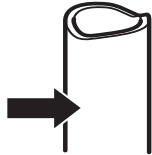
Install the shutoff valve on the nearest frequently used drinking water line.

1 SHUT OFF THE MAIN WATER SUPPLY AND UNPLUG REFRIGERATOR

Turn on the nearest faucet (counterclockwise) long enough to clear the line of water.

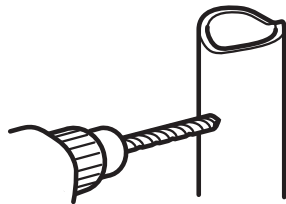
2 CHOOSE THE VALVE LOCATION

Choose a location for the valve that is easily accessible. It is best to connect into the side of a vertical water pipe. When it is necessary to connect into a horizontal water pipe, make the connection to the top or side, rather than at the bottom, to avoid drawing off any sediment from the water pipe.



3 DRILL THE HOLE FOR THE VALVE

Drill a 1/4" hole in the water pipe (even if using a self-piercing valve), using a sharp bit. Remove any burrs resulting from drilling the hole in the pipe. **Take care not to allow water to drain into the drill.** Failure to drill a 1/4" hole may result in reduced ice production or smaller cubes.

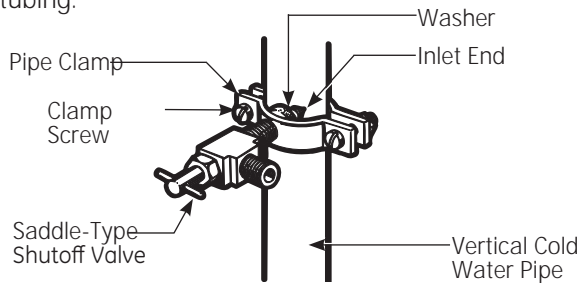


4 FASTEN THE SHUTOFF VALVE

Fasten the shutoff valve to the cold water pipe with the pipe clamp.

Tighten the clamp screws until the sealing washer begins to swell.

NOTE: Do not overtighten or you may crush the tubing.



NOTE: Commonwealth of Massachusetts Plumbing Codes 248CMR shall be adhered to. Saddle valves are illegal and use is not permitted in Massachusetts. Consult with your licensed plumber.

5 ROUTE THE TUBING

Route the tubing between the cold water line and the refrigerator.

Route the tubing through a hole drilled in the wall or floor (behind the refrigerator or adjacent base cabinet) as close to the wall as possible.

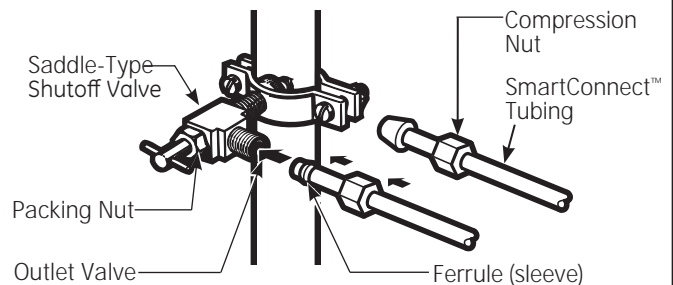
NOTE: Be sure there is sufficient extra tubing (about 6 feet [1.82 m] coiled into 2 turns of about 10" [25 cm] diameter) to allow the refrigerator to move out from the wall after installation.

6 CONNECT THE TUBING TO THE VALVE

Place the compression nut and ferrule (sleeve) for copper tubing onto the end of the tubing and connect it to the shutoff valve.

Make sure the tubing is fully inserted into the valve. Tighten the compression nut securely.

For plastic tubing from a GE SmartConnect™ Refrigerator Tubing kit, insert the molded end of the tubing into the shutoff valve and tighten compression nut until it is hand tight, then tighten one additional turn with a wrench. Overtightening may cause leaks.



NOTE: Commonwealth of Massachusetts Plumbing Codes 248CMR shall be adhered to. Saddle valves are illegal and use is not permitted in Massachusetts. Consult with your licensed plumber.

7 FLUSH OUT THE TUBING

Turn the main water supply on (counterclockwise) and flush out the tubing until the water is clear.

Shut the water off at the water valve after about one quart (1 liter) of water has been flushed through the tubing.



Installation Instructions

1 INSTALLING THE WATER LINE (CONT.)

8 CONNECT THE TUBING TO THE REFRIGERATOR

NOTES:

- Before making the connection to the refrigerator, be sure the refrigerator power cord is not plugged into the wall outlet.
- We recommend installing a water filter (GXRLQ, available on GEApplianceparts.com or 800.626.2002) if your water supply has sand or particles that could clog the screen of the refrigerator's water valve. Install it in the water line near the refrigerator. If using GE SmartConnect™ Refrigerator Tubing kit, you will need an additional tube (WX08X10002) to connect the filter. Do not cut plastic tube to install filter.

Remove the access cover.



Remove the plastic flexible cap from the water valve (refrigerator connection).

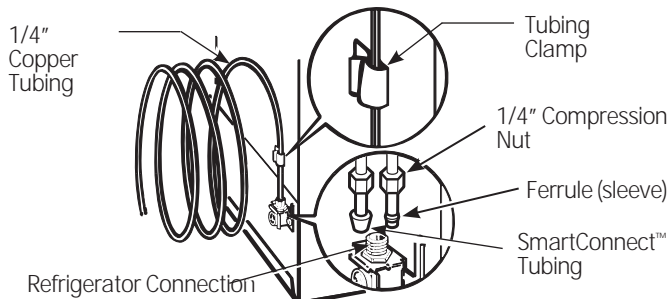


Place the compression nut and ferrule (sleeve) onto the end of the tubing as shown. On GE SmartConnect™ Refrigerator Tubing kit, the nuts are already assembled to the tubing.

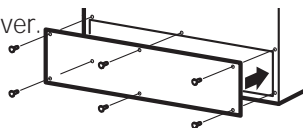
Insert the end of the tubing into the water valve connection as far as possible. While holding the tubing, tighten the fitting.

For plastic tubing from a GE SmartConnect™ Refrigerator Tubing kit, insert the molded end of the tubing into the shutoff valve and tighten compression nut until it is hand tight, then tighten one additional turn with a wrench. Overtightening may cause leaks.

Fasten the tubing into the clamp provided to hold it in a vertical position. You may need to pry open the clamp.

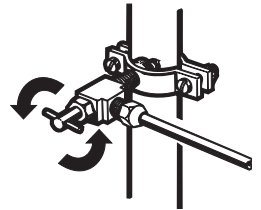


Reattach the access cover.



9 TURN THE WATER ON AT THE SHUTOFF VALVE

Tighten any connections that leak.



10 INSTALLING THE REFRIGERATOR

Plug in the refrigerator.



Arrange the coil of tubing so that it does not vibrate against the back of the refrigerator or against the wall. Push the refrigerator back to the wall.



11 START THE ICE MAKER

Set the ice maker power switch to the **ON** position. The ice maker will not begin to operate until it reaches its operating temperature of 15°F (-9°C) or below. It will then begin operation automatically.



Installation Instructions

2 REVERSING THE DOOR SWING

IMPORTANT NOTES

When reversing the door swing:

- Read the instructions all the way through before starting.
- Handle parts carefully to avoid scratching paint.
- Set screws down by their related parts to avoid losing them.
- Provide a non-scratching work surface for the doors.

IMPORTANT: Once you begin, do not move the cabinet until door-swing reversal is completed.

These instructions are for changing the hinges from the right side to the left side—if you ever want to change the hinges back to the right side, follow these same instructions and reverse all references to left and right.

CAUTION Lifting Hazard

The Fresh Food and Freezer doors are heavy Use both hands to secure the doors before lifting.

TOOLS REQUIRED



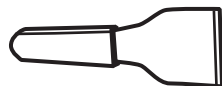
Phillips screwdriver



Masking tape



3/8" hex-head socket driver



Putty knife or thin-blade screwdriver



7/16" open-end wrench (optional)



Allen wrench (Stainless Steel Handle Models)

1 BEFORE YOU START

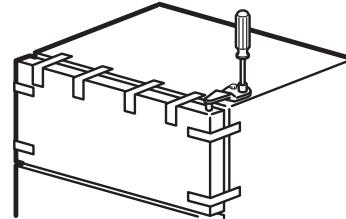
- 1.1 Unplug the refrigerator from its electrical outlet.
- 1.2 Empty all door shelves, including the dairy compartment.

CAUTION: Do not let either door drop to the floor. To do so could damage the door stop.

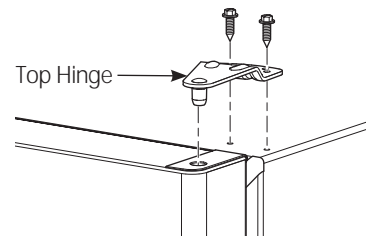
2 REMOVE THE FREEZER DOOR

2.1 Tape the door shut with masking tape.

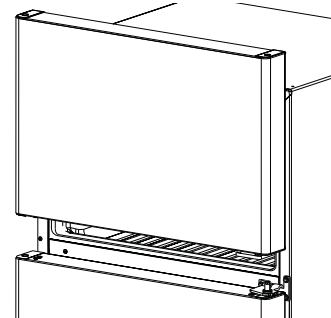
2.2 Remove the screws that hold the top hinge to the cabinet.



2.3 Lift the hinge straight up to free the hinge pin from the socket in the top of the door and set it aside, along with its screws.

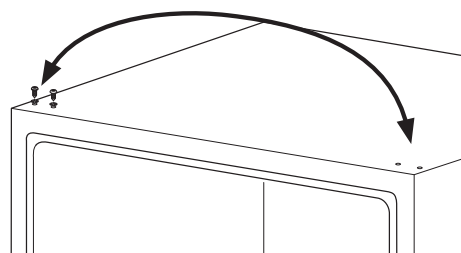


2.4 Remove the tape. Lift it off the center hinge pin.



2.5 Set the door on a non-scratching surface with the outside up.

2.6 Transfer the 2 screws from the opposite side of the cabinet to the screw holes vacated by the top hinge removal.



Installation Instructions

2 REVERSING THE DOOR SWING (CONT.)

3 REMOVE THE FRESH FOOD DOOR

3.1 Tape the door shut with masking tape.



3.2 Unscrew the center hinge pin and remove it from its socket. Be careful not to lose the center hinge and washer.



3.3 Remove the tape and tilt the door away from the cabinet. Lift the door from the pin in the bottom hinge. (If the plastic washer sticks to the door bottom, put it back on the hinge.)

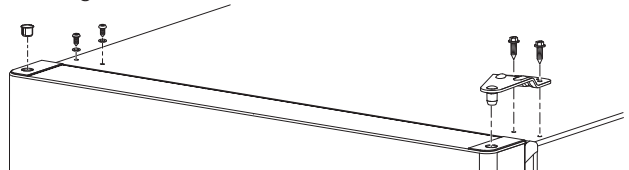


3.4 Set the door outside-up on a non-scratching surface.

4 REVERSING THE HARDWARE

4.1 Interchange the hinge and screws at top right with screws at top left of cabinet. Do not tighten screws on hinge side.

NOTE: Some hinges have 4 holes. Which holes you use for installing depends on which side you install the hinge. The outer edge of the hinge should be parallel to the edge of the case for correct installation.



4.2 Remove the three screws holding the center hinge to the cabinet.

4.3 Transfer the three screws from the opposite side of the cabinet to the screw holes vacated by the center hinge removal.



4.4 Reattach the center hinge with all three screws on the left side of the cabinet. **NOTE:** The center hinge must be turned over as shown when mounted on the left side.



4.5 Remove the screws holding the bottom hinge to the cabinet. Move the bottom hinge from the right to left side of the cabinet. Switch the hinge pin to the opposite side of the hinge and reinsert the screws.

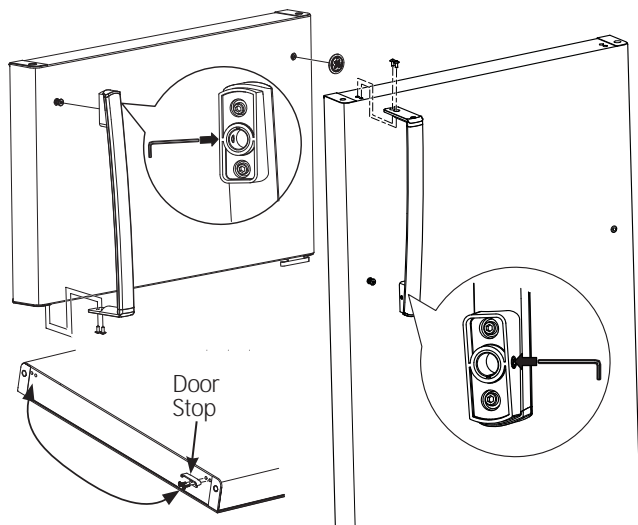


Installation Instructions

5 REVERSING THE DOOR HANDLES

STAINLESS STEEL HANDLE

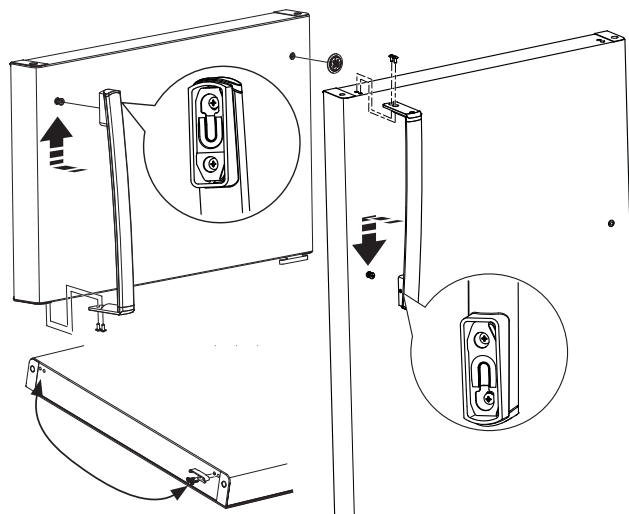
- 5.1a. Remove handle screws from the top of fresh food door. Remove handle screws from the bottom of freezer door.
- 5.2a. Loosen set screw on handle with the provided 1/8" wrench.
- 5.3a. Remove door handle.
- 5.4a. Change places between the handle fastener and plug button on door front.
- 5.5a. Move the plug buttons on top and front of the door to fill the now vacant holes.
- 5.6a. Transfer the door stop on the bottom of the door.
- 5.7a. Attach handle to fresh food door with screws at top of handle. Use 1/8" allen wrench to tighten set screw at bottom of handle.
- 5.8a. Attach handle to freezer door with screws at bottom of handle. Use the provided 1/8" allen wrench to tighten set screw at top of handle.
- 5.9a. Attach badge on freezer door opposite the handle.



5 REVERSING THE DOOR HANDLES (CONT.)

PLASTIC HANDLE ASSEMBLY

- 5.1b. Remove handle screws from the top of fresh food door. Remove handle screws from the bottom of freezer door.
- 5.2b. Remove door handle on fresh food door by sliding the handle up off of the fastener. Remove door handle on freezer door by sliding the handle down off of the fastener.
- 5.3b. Change places between the handle fastener and plug button on door front.
- 5.4b. Move the plug buttons on top and front of the door to fill the now vacant holes.
- 5.5b. Transfer the door stop on the bottom of the door.
- 5.6b. Attach handle to fresh food door by sliding handle down onto fastener and with screws at top of handle.
- 5.7b. Attach handle to freezer door by sliding handle up onto fastener and with screws at bottom of handle.
- 5.8b. Attach badge on freezer door opposite the handle.



Installation Instructions

2 REVERSING THE DOOR SWING (CONT.)

6 RE-HANGING THE DOORS

6.1 Re-hang the fresh food door

6.1.1 Lower the fresh food door onto the bottom hinge pin. Be sure the washer is in place on the pin.



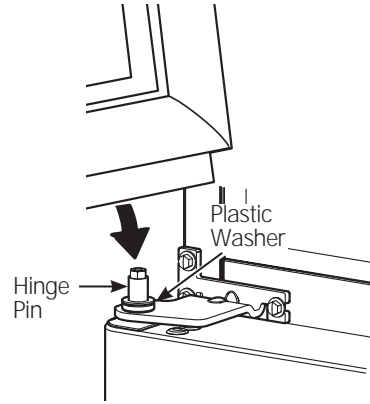
6.1.2 Tilt the door towards the cabinet. As the door is brought into position, align the socket in the door with the hole in the center hinge. Place the center hinge pin into the hole in the center hinge and tighten. Make sure the washer is on the top of the hinge pin.



6 RE-HANGING THE DOORS (CONT.)

6.2 Re-hang the freezer door

6.2.1 Lower the freezer door onto the center hinge pin. Be sure the washer is in place on the pin.



6.2.2 Tilt the door towards the cabinet, lifting the top hinge so the pin fits into the socket on the top of the door.

6.2.3 Make sure the door is slightly above the top of the cabinet and the gap between the doors is even across the front. Tighten the top hinge screws. Do not over-tighten these screws. Tighten them until they are just snug, and then turn them another one-half turn.



Normal operating sounds.

Newer refrigerators sound different from older refrigerators. Modern refrigerators have more features and use newer technology.

Do you hear what I hear? These sounds are normal.

- The new high efficiency compressor may run faster and longer than your old refrigerator and you may hear a high-pitched hum or pulsating sound while it is operating.
- You may hear a whooshing sound when the doors close. This is due to pressure equalizing within the refrigerator.

HUMMM...
WHOOSH...



- You may hear the fans spinning at high speeds. This happens when the refrigerator is first plugged in, when the doors are opened frequently or when a large amount of food is added to the refrigerator or freezer compartments. The fans are helping to maintain the correct temperatures.

CLICKS, POPS, CRACKS and CHIRPS

- You may hear cracking or popping sounds when the refrigerator is first plugged in. This happens as the refrigerator cools to the correct temperature.
- The compressor may cause a clicking or chirping sound when attempting to restart (this could take up to 5 minutes).
- Expansion and contraction of cooling coils during and after defrost can cause a cracking or popping sound.
- On models with an ice maker, after an ice making cycle, you may hear the ice cubes dropping into the ice bucket.



WATER SOUNDS

- The flow of refrigerant through the freezer cooling coils may make a gurgling noise like boiling water.
- Water dropping on the defrost heater can cause a sizzling, popping or buzzing sound during the defrost cycle.
- A water dripping noise may occur during the defrost cycle as ice melts from the evaporator and flows into the drain pan.
- Closing the door may cause a gurgling sound due to pressure equalization.

Service.

Before you call for service, review the detailed troubleshooting tips in the Owner's manual. If needed, service can be scheduled by visiting us online GEAppliances.com or calling 800.GECARES 800.432.2737. In Canada visit GEAppliances.ca or call 800.561.3344.

Truth or Myth

Truth or Myth?	Answer	Explanation
The automatic ice maker in my refrigerator will produce ice when the refrigerator is plugged in to a power receptacle.	MYTH	The refrigerator must be connected to water, and the ice maker must be turned on. Make sure the ice maker is turned on, only after the water line is connected and water is turned on. The ice maker can be turned off by switching it to the OFF position. The freezer must be 15 degrees or colder before the icemaker will produce ice. Please allow at least 24 hours for the refrigerator to pull down and the unit's temperature to stabilize.
I will never see frost inside the freezer compartment.	MYTH	Frost inside the freezer typically indicates that the door is not properly sealed, or has been left open. If frost is found, clear the frost using a plastic spatula and towel, then check to ensure that no food packages or containers are preventing the freezer door from closing. To help reduce to the potential for frost please make sure there is proper clearance to the air supply and vents in the freezer to improve circulation. Always cover food before loading into the refrigerator, moisture from open containers can add to the frost load.
Refrigerator door handles can be easily tightened.	TRUE	If door handles are loose or have a gap, the handle can be adjusted with set screws located on the ends of the handles.
After starting the ice maker throw away 24 hours of ice production.	TRUE	To avoid issues with odor and taste the first batch of ice should be discarded
Door removal is always required for installation.	MYTH	Doors should only be removed when necessary to prevent damage from passage way or access to final location. If doors are removed please review Reversing the Door Swing section for re-hang procedure.
There is an adjustment to rear wheels.	MYTH	Front leveling legs are adjustable and should be used to balance the refrigerator. Leveling legs are used to make initial fresh food door adjustment. There should be approximately a ¼" fall from the front to back to ensure that the doors always close.
Any All-Purpose cleaner can be used to clean my refrigerator.	MYTH	All-purpose cleaners are not recommended for use on the refrigerator. Do not use wax, polish, ammonia, bleach, or other products containing chlorine on for any surfaces. Clean with a cloth dampened with soapy water. Dry with a soft cloth. The stainless steel doors can be cleaned with a commercially available stainless steel cleaner. Cleaners with oxalic acid such as Bar Keepers Friend Soft Cleanser™ will remove rust, tarnish and small blemishes. Use only a liquid cleanser free of grit and rub in the direction of the brush lines with a damp soft sponge. Do not use appliance wax or polish on the stainless steel.
Gaskets will last longer with regular cleaning and maintenance.	TRUE	Clean gaskets with warm soapy water. Make sure all folds are clean and dry after cleaning. Make sure flanges are clear of any grit or grime. After cleaning the door gaskets, apply paraffin wax or petroleum jelly to the door gaskets and hinges at the hinge side. This helps keep the gaskets from sticking and bending out of shape.
Doors may be shipped with protective film that has to be removed before use.	TRUE	Smooth finished doors (Stainless, Slate, Gloss Black and Gloss White, or Silver Metallic) will have a clear plastic film on the door that must be removed after install.
Have more questions? For more information on your refrigerator or other GE appliances please visit www.geappliances.com/videos		

Refrigerator Warranty.



For US Customers, all warranty service provided by our Factory Service Centers, or an authorized Customer Care® technician. To schedule service, on-line, 24 hours a day, visit us at GEAppliances.com, or call 800.GE.CARES (800.432.2737). Please have serial number and model number available when calling for service.

In Canada, call 800.561.3344.

Staple your receipt here. Proof of the original purchase date is needed to obtain service under the warranty.

Servicing your refrigerator may require the use of the onboard data port for diagnostics. This gives a GE Factory Service technician the ability to quickly diagnose any issues with your appliance and helps GE improve its products by providing GE with information on your appliance. If you do not want your appliance data to be sent to GE, please advise your technician NOT to submit the data to GE at the time of service.

For the Period of:	GE Will Replace
One Year From the date of the original purchase	Any part of the refrigerator which fails due to a defect in materials or workmanship. During the limited one-year warranty , GE will also provide, free of charge , all labor and related service to replace the defective part.

What is Not Covered:

- Service trips to your home to teach you how to use the product.
- Improper installation, delivery or maintenance.
- Failure of the product if it is abused, misused, or used for other than the intended purpose or used commercially.
- Loss of food due to spoilage.
- Replacement of house fuses or resetting of circuit breakers.
- Damage caused after delivery.
- Replacement of the water filter cartridge, if included, due to water pressure that is outside the specified operating range or due to excessive sediment in the water supply.
- Replacement of the light bulbs, if included, or water filter cartridge, if included, other than as noted above.
- Damage to the product caused by accident, fire, floods or acts of God.
- Incidental or consequential damage caused by possible defects with this appliance.
- Product not accessible to provide required service.
- Damage caused by a non-GE Brand water filter.
- Damage to finish (rust, tarnish, or small blemishes) must be reported within 48 hours following delivery of appliance.
- Products which are not defective, broken, or which are working as described in the owner's manual.

EXCLUSION OF IMPLIED WARRANTIES—Your sole and exclusive remedy is product repair as provided in this Limited Warranty. Any implied warranties, including the implied warranties of merchantability or fitness for a particular purpose, are limited to one year or the shortest period allowed by law.

For US Customers: This warranty is extended to the original purchaser and any succeeding owner for products purchased for home use within the USA. If the product is located in an area where service by a GE Authorized Servicer is not available, you may be responsible for a trip charge or you may be required to bring the product to an Authorized GE Service location for service. In Alaska, the warranty excludes the cost of shipping or service calls to your home.

Some states do not allow the exclusion or limitation of incidental or consequential damages. This warranty gives you specific legal rights, and you may also have other rights which vary from state to state. To know what your legal rights are, consult your local or state consumer affairs office or your state's Attorney General.

Warrantor US: General Electric Company, Louisville, KY 40225

For Customers in Canada: This warranty is extended to the original purchaser and any succeeding owner for products purchased in Canada for home use within Canada. In-home warrant service will be provided in areas where it is available and deemed reasonable by Mabe to provide.

Warrantor Canada: MC Commercial, Burlington, Ontario, L7R 5B6

Notes.

Mesures de sécurité 20-21

Instructions de fonctionnement

Bouton de commande de la température 22

Clayettes 22

Bacs de rangement 23

Machine à glaçons

automatique..... 23

Entretien et nettoyage..... 24

Instructions d'installation

Préparation à l'installation

du réfrigérateur 25

Installation de la

conduite d'eau 26-28

Inversion de

l'ouverture des portes 29-32

En cas de panne

Bruits normaux

de fonctionnement 33

Avant d'appeler

un réparateur..... 34

Soutien au consommateur

Garantie 35

Soutien au consommateur 36

Écrivez ici le numéro de modèle et le
numéro de série :

Modèle # _____

Série # _____

Vous les trouvez sur une étiquette
dans le coin supérieur gauche du
compartiment réfrigérateur.

INSTRUCTIONS IMPORTANTES DE SÉCURITÉ. LISEZ TOUTES LES INSTRUCTIONS AVANT D'UTILISER VOTRE RÉFRIGÉRATEUR.

SÉCURITÉ

IMPORTANTES CONSIGNES DE SÉCURITÉ

VEUILLEZ LIRE TOUTES LES CONSIGNES AVANT UTILISATION



Site Internet d'Électroménagers GE

Pour de plus amples informations sur le fonctionnement de votre réfrigérateur, consultez le site www.electromenagersge.ca ou composez le 800.561.3344.

CONSIGNES DE SÉCURITÉ POUR LE RÉFRIGÉRATEUR

! Ce symbole représente une alerte de sécurité. Ce symbole vous avise de dangers possibles pouvant causer la mort, des blessures ou autres. Tous les messages de sécurité seront précédés du symbole d'alerte de sécurité ainsi que des mots « DANGER », « AVERTISSEMENT » ou « MISE EN GARDE ». Ces messages sont les suivants :

! DANGER

Signale une situation qui présente un danger imminent et qui, si elle n'est pas évitée, entraînera des blessures graves, voire la mort.

! AVERTISSEMENT

Signale une situation qui présente un danger imminent et qui, si elle n'est pas évitée, peut entraîner des blessures graves, voire la mort.

! MISE EN GARDE

Signale une situation qui présente un danger imminent et qui, si elle n'est pas évitée, peut entraîner des blessures mineures ou graves.

IMPORTANTES CONSIGNES DE SÉCURITÉ

! AVERTISSEMENT

Pour réduire le risque d'incendie, d'explosion, de choc électrique ou de blessures lorsque vous utilisez votre réfrigérateur, veuillez suivre ces consignes de sécurité :

- Ce réfrigérateur doit être correctement installé conformément aux Consignes d'Installation avant toute utilisation.
- Débranchez le réfrigérateur avant tout entretien ou réparation.
REMARQUE : Les réparations doivent être effectuées par un professionnel qualifié.
- Remettez toutes les pièces et panneaux en place avant d'utiliser l'appareil.
- Nous déconseillons fortement l'utilisation d'une rallonge à cause des risques potentiels dans certaines conditions. Cependant, si l'utilisation d'un cordon prolongateur est nécessaire, ce dernier doit obligatoirement être homologué UL (aux USA) ou CSA (au Canada), à trois brins avec mise à la terre pour appareil électroménager et doit être équipé d'une fiche et d'une prise femelle avec terre. Les caractéristiques électriques du cordon prolongateur doivent être de 15 ampères (minimum) et de 120 volts.
- Pour éviter les risques d'asphyxie et d'enfermement pour les enfants. Démontez les portes du congélateur et du compartiment de réfrigération avant de le mettre au rebut ou d'interrompre son utilisation.
- Ne stockez pas ou n'utilisez pas d'essence ou d'autres vapeurs et liquides inflammables à proximité de cet appareil ou de tout autre appareil électroménager.
- L'alimentation électrique du réfrigérateur ne peut pas être coupée par l'intermédiaire du panneau de commande. Pour ce faire, il est nécessaire de débrancher le réfrigérateur pour couper l'alimentation.
- Ne laissez pas les enfants grimper, se mettre debout ou se suspendre aux poignées de portes dans le réfrigérateur ou aux clayettes du réfrigérateur. Ils pourraient se blesser gravement.
- Si votre réfrigérateur est doté d'une machine à glaçons automatique, évitez le contact avec les pièces mobiles du mécanisme éjecteur, ou avec l'élément chauffant qui libère les glaçons. Ne posez pas les doigts ou les mains sur le mécanisme de la machine à glaçons automatique pendant que le réfrigérateur est branché.
- Ne nettoyez pas les clayettes ou les couvercles en verre avec de l'eau tiède quand ceux-ci sont froids. Les clayettes et couvercles en verre peuvent se casser s'ils sont exposés à des changements soudains de température ou si vous les cognez ou les faites tomber. Le verre trempé est conçu pour se briser en petits morceaux en cas de casse.
- Éloignez les doigts des parties du réfrigérateur où l'on peut facilement se pincer : les espaces entre les portes, et entre les portes et les placards sont toujours étroits. Soyez prudent lorsque vous fermez les portes du réfrigérateur en présence d'enfants.
- Ne touchez pas les surfaces froides du congélateur lorsque vous avez les mains humides ou mouillées. La peau risque d'adhérer à ces surfaces extrêmement froides.
- Ne recongelez pas les aliments surgelés qui ont complètement dégelé.
- Avant de remplacer une ampoule grillée, le réfrigérateur doit être débranché afin d'éviter le contact avec un filament sous tension. (Une ampoule grillée peut se briser lors de son remplacement.)

INSTRUCTIONS IMPORTANTES DE SÉCURITÉ. LISEZ TOUTES LES INSTRUCTIONS AVANT D'UTILISER VOTRE RÉFRIGÉRATEUR.

www.electromenagersge.ca

SÉCURITÉ (CONT.)

INSTALLATION



AVERTISSEMENT



Risque d'explosion.

Conservez les matériaux et vapeurs inflammables tels que l'essence à l'écart de votre réfrigérateur. Une explosion, un incendie voire la mort pourrait en résulter.

BRANCHEMENTS ÉLECTRIQUES



AVERTISSEMENT



Risque de choc électrique.

Branchez l'appareil dans une prise triple avec terre.

Ne retirez pas la broche de terre.

N'utilisez pas d'adaptateur.

Le non-respect de ces instructions peut entraîner des risques d'incendies, des chocs électriques ou la mort.



Ne coupez pas ou n'enlevez pas, sous aucun prétexte, la troisième broche de mise à la terre du cordon d'alimentation. Pour des raisons de sécurité, cet appareil doit être correctement mis à la terre.

Le cordon d'alimentation de cet appareil est équipé d'une fiche à trois broches (pour une mise à la terre) qui s'adapte à la prise de courant standard à 3 broches (pour une mise à la terre) pour minimiser les risques de chocs électriques par cet appareil.

Faites vérifier la prise murale et le circuit électrique par un électricien qualifié pour s'assurer que le système est correctement mis à la terre.

Dans le cas d'une prise biphasée, l'installateur a la responsabilité et l'obligation de la remplacer par une prise triphasée correctement mise à la terre. N'utilisez pas d'adaptateur.

Le réfrigérateur doit toujours être branché à sa propre prise électrique d'une tension nominale correspondant à celle indiquée sur sa plaque signalétique.

Une alimentation électrique à 115 volts CA, 60 Hz, avec un fusible de 15 ou 20 ampères et une mise à la terre est nécessaire. Ceci permet d'obtenir un meilleur rendement et évite de surcharger les circuits électriques du domicile qui risque d'occasionner un incendie en surchauffant.

Ne débranchez jamais le réfrigérateur en tirant sur le cordon d'alimentation. Prenez toujours fermement la fiche en main et tirez pour la sortir de la prise.

Réparez ou remplacez immédiatement tout cordon électrique usé ou endommagé. N'utilisez pas un cordon fissuré ou présentant des dommages dus aux frottements soit sur sa longueur ou aux extrémités.

Lorsque vous éloignez votre réfrigérateur du mur, faites attention à ne pas le faire rouler sur le cordon d'alimentation afin de ne pas l'endommager.

MISE AU REBUT APPROPRIÉE DE VOTRE ANCIEN RÉFRIGÉRATEUR

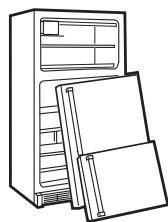


AVERTISSEMENT

Un enfant risque de suffoquer ou d'y être emprisonné.

Démontez les portes du compartiment de réfrigération et du compartiment de congélation du réfrigérateur, avant mettre celui-ci au rebut. Le non-respect de cette recommandation peut entraîner l'enfermement d'un enfant qui peut entraîner la mort ou des lésions cérébrales.

IMPORTANT:



Les enfants pris au piège ou morts d'asphyxie sont toujours d'actualité. Les réfrigérateurs jetés ou abandonnés restent dangereux même si vous ne les laissez au rebut que pour « quelques jours ». Si vous voulez jeter votre ancien réfrigérateur, suivez les instructions suivantes pour empêcher les accidents.

Avant de jeter votre ancien réfrigérateur ou congélateur:

- Démontez les portes du compartiment de réfrigération et du compartiment de congélation.
- Laissez les clayettes en place, pour éviter que des enfants puissent facilement grimper dans votre réfrigérateur.

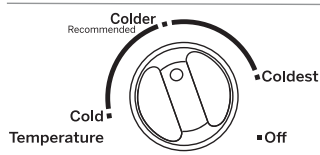
Fluides frigorigènes

Les appareils réfrigérants contiennent des fluides frigorigènes qui conformément à la législation fédérale doivent être retirés avant la mise au rebut de l'appareil. Si vous mettez au rebut un ancien réfrigérateur contenant des fluides frigorigènes, vérifiez la procédure à suivre auprès de la compagnie responsable de l'élimination.



LISEZ ET SUIVEZ SOIGNEUSEMENT CES MESURES DE SÉCURITÉ. CONSERVEZ CES INSTRUCTIONS

Bouton de commande de la température.



La commande de température règle le réfrigérateur depuis le plus chaud jusqu'au plus froid. À la livraison, votre réfrigérateur est réglé sur « Colder » (encore plus froid), le réglage d'usine recommandé. Pour une température encore plus froide, tournez le bouton dans le sens des aiguilles jusqu'à « Coldest » (le plus froid). Pour une température moins froide, tournez le bouton dans le sens inverse des aiguilles d'une montre jusqu'à « Cold » (froid). Pour désactiver le refroidissement dans les deux compartiments, tournez le bouton dans le sens des aiguilles jusqu'à « Off ». Prenez note que cela ne coupe pas l'alimentation électrique au réfrigérateur.

Clayettes du compartiment réfrigérateur.

Les clayettes se placent à différents niveaux vous permettant de personnaliser l'espace de rangement. Toutes les caractéristiques ne sont pas disponibles sur tous les modèles.



Pour enlever les clayettes pleine largeur



Clayettes pleine largeur

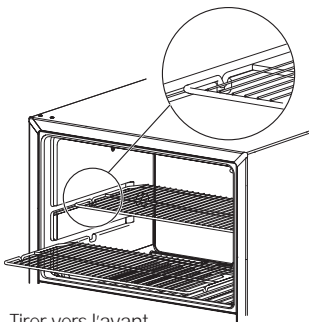
Quelques modèles sont équipés de tablettes en verre trempé fixes, une tablette antigoutte ou de tablettes fixes bimétalliques. Vous pouvez déplacer ces clayettes à un autre endroit du compartiment réfrigérateur.

Certains modèles possèdent une clayette coulissante métallique, une clayette en verre trempée fixe, une clayette anti-déversement ou deux clayettes fixes métalliques.



ATTENTION Do not clean glass shelves or covers with warm water when they are cold. Glass shelves and covers may break if exposed to sudden temperature changes or impact such as bumping or dropping. Tempered glass is designed to shatter into many small pieces if it breaks.

Clayettes du compartiment congélateur.



Tirer vers l'avant

Clayette du compartiment congélateur

Lorsqu'elles sont placées correctement sur leurs supports, les deux clayettes fixes se bloqueront avant de sortir complètement du congélateur et elles ne pencheront pas si vous y placez ou retirez des aliments.

Tablettes en verre

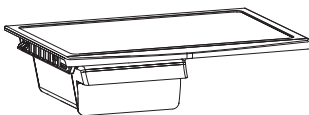
Certains modèles sont dotés de tablettes en verre.



ATTENTION Ne nettoyez pas les tablettes ou couvercles en verre avec de l'eau chaude lorsqu'ils sont froids. Les tablettes et couvercles en verre peuvent se briser s'ils sont exposés à une variation de température soudaine, ou soumis à un impact s'ils sont heurtés ou échappés. S'il se brise, le verre trempé est conçu pour se fracturer en un grand nombre de petits éclats.

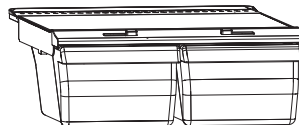
Bacs de rangement.

Toutes les caractéristiques ne sont pas disponibles sur tous les modèles.



Bac à collation

Le bac à collation peut être placé à l'emplacement qui convient le mieux aux besoins de votre famille.



Bacs à légumes et à fruits

Lorsque l'eau s'accumule au fond des bacs, videz-les et essuyez-les.

Toutes les caractéristiques ne sont pas disponibles sur tous les modèles.



Tiroir à humidité contrôlée (sur certains modèles)

Faites glisser le réglage en position **HIGH** (élevée) pour obtenir l'humidité maximum qui est recommandée pour la plupart des légumes.

Faites glisser le réglage en position **LOW** (basse) pour obtenir l'humidité minimum qui est recommandée pour la plupart des fruits.



Enlèvement du bac de rangement

Vous pouvez enlever facilement les bacs en relevant légèrement les côtés lorsque le bac dépasse la position de butée.



Retrait du couvercle

Pour enlever les bacs:

- 1 Enlevez les deux bacs.
- 2 Placez vos mains à l'intérieur, pousser le dos du couvercle en verre vers le haut tout en le tirant vers l'arrière aussi loin que possible.

Inclinez-le et enlevez-le. Évitez de nettoyer le couvercle en verre froid avec de l'eau chaude, car la grande différence de température peut le briser.

- 3 Enlevez le cadre du bac (enlevez toujours le couvercle en verre avant d'enlever le cadre).

Soulevez le cadre des supports de chaque côté et derrière, tirez-le vers l'avant. Inclinez-le pour le retirer.

Pour remettre les bacs:

- 1 Placez le cadre pour qu'il repose sur les supports de chaque côté et derrière.
- 2 Remplacez le couvercle en verre, en poussant fermement son bord frontal dans le profilé de cadre avant, puis déposez-le délicatement en place.
- 3 Remplacez les bacs.

Machine à glaçons automatique.

Un réfrigérateur nouvellement installé prend de 12 à 24 heures pour commencer à produire des glaçons.



ATTENTION Évitez tout contact avec les pièces mobiles du mécanisme d'éjection ou l'élément chauffant (situé dans le bas de la machine à glaçons) qui libère les cubes. Ne placez pas les doigts ou les mains sur le mécanisme de production de glace automatique lorsque le réfrigérateur est branché à la prise électrique.

Machine à glaçons automatique (sur certains modèles)

La machine à glaçons produit sept glaçons par cycle, environ 70 à 100 glaçons par 24 heures, selon la température du compartiment congélation, la température de la pièce, le nombre de fois que la porte est ouverte et les autres conditions d'utilisation.

Si vous utilisez votre réfrigérateur avant son raccordement à l'alimentation d'eau, réglez l'interrupteur à **OFF** (arrêt) ou déplacez le levier à la position **STOP** (vers le haut).

Dès que le réfrigérateur est relié à l'alimentation d'eau, placez l'interrupteur à la position **ON** (marche), déplacez le levier vers le bas.

Après avoir raccordé le réfrigérateur à l'alimentation d'eau, amenez le bras palpeur en position **ON** (marche) en bas.

Déplacez le levier à la position **ON** (vers le bas) ou déplacez l'interrupteur coulissant vers la position **ON** (marche). La machine à glaçons se remplit d'eau quand elle atteint 15°F. Un réfrigérateur nouvellement installé prend de 12 à 24 heures

pour commencer à produire des glaçons.

Une fois que la machine à glaçons commence à produire de la glace, il peut s'écouler jusqu'à 48 heures avant que le bac ne se remplisse, tout dépendant du réglage de température et de la fréquence d'ouverture de la porte.

Un bourdonnement se fait entendre à chaque fois que la machine à glaçons se remplit d'eau.

REMARQUER: Jetez les premiers lots de glaçons pour permettre à la conduite d'eau de se purger.

Assurez-vous que rien ne gêne la course du bras palpeur.

Quand le bac se remplit jusqu'au niveau du bras palpeur, la machine à glaçons s'arrête de produire des glaçons.

Il est normal de trouver des glaçons qui soient soudés ensemble.

Si vous n'utilisez pas souvent vos glaçons, les vieux glaçons deviennent opaques, prennent un mauvais goût et rétrécissent.

Trousse accessoire de machine à glaçons

Si votre réfrigérateur n'est pas déjà équipé d'une machine à glaçons automatique, vous pouvez acheter une trousse accessoire de machine à glaçons.

Vérifiez derrière votre réfrigérateur le modèle de trousse à glaçons que vous devez acheter pour votre réfrigérateur.

Entretien et nettoyage.

Nettoyage de l'extérieur

Les poignées de porte et les garnitures (sur certains modèles). Nettoyez avec un linge trempé dans de l'eau savonneuse. Séchez avec un linge doux.

Conservez l'extérieur propre. Essuyez avec un linge propre légèrement humecté de cire à appareil électroménager ou de détergent liquide à vaisselle doux. Séchez et polissez avec un linge doux, propre.

N'essuyez jamais votre réfrigérateur avec un torchon sale ou une serviette mouillée. Cela peut laisser un résidu qui risque d'endommager la peinture. N'utilisez jamais de tampon à récureur, de nettoyant en poudre, d'eau de javel ou de produit nettoyant contenant un agent de blanchiment ou d'ammoniac, car ces produits peuvent rayer et endommager la peinture.

Vous pouvez nettoyer les portes et les poignées de porte en acier inoxydable (sur certains modèles) avec un nettoyant d'acier inoxydable vendu sur le marché. Les nettoyants qui contiennent de l'acide oxalique, tels que Bar Keepers Friend Soft Cleanser™, éliminent la rouille, le ternissement et les petites taches. Utilisez uniquement un nettoyant liquide exempt d'abrasif et frottez dans la direction des lignes de brossage à l'aide d'une éponge souple imbibée. N'utilisez pas de cire pour appareils ménagers sur l'acier inoxydable.

Nettoyage de l'intérieur

Pour aider à empêcher les odeurs, laissez une boîte ouverte de bicarbonate de soude dans les compartiments réfrigération et congélation.

Débranchez votre réfrigérateur avant de le nettoyer.

Si ce n'est pas pratique, enlevez toute humidité au moyen d'une éponge ou d'un chiffon pour nettoyer autour des commutateurs, des lumières ou des réglages.

Utilisez une solution d'eau chaude et de bicarbonate de soude 15 ml (soit une cuillère à soupe environ) de bicarbonate de soude dans 1 litre (soit une pinte) d'eau. Cette solution nettoie tout en neutralisant les odeurs. Rincez et séchez en essuyant.

Après avoir nettoyé les joints de porte, appliquez une mince couche de vaseline sur les joints du côté charnières afin de les empêcher de coller et de se déformer.

ATTENTION

Ne nettoyez pas les tablettes ou couvercles en verre avec de l'eau chaude lorsqu'ils sont froids. Les tablettes et couvercles en verre peuvent se briser s'ils sont exposés à une variation de température soudaine, ou soumis à un impact s'ils sont heurtés ou échappés. S'il se brise, le verre trempé est conçu pour se fracturer en un grand nombre de petits éclats. Ne lavez aucune pièce en plastique du réfrigérateur au lave-vaisselle.

Écartement du réfrigérateur

Faites attention quand vous écartez votre réfrigérateur du mur. Vous pouvez endommager votre revêtement de plancher, en particulier s'il est matelassé ou s'il a une surface en relief.

Tournez les pieds de nivellement à chaque coin avant du réfrigérateur vers la gauche pour que les roulettes supportent le poids du réfrigérateur. Tirez le réfrigérateur en ligne droite et remettez-le en place en poussant en ligne droite. **Vous pouvez endommager le revêtement de plancher ou votre réfrigérateur en le déplaçant latéralement.**

Lorsque vous remettez en place votre réfrigérateur, assurez-vous de ne pas le rouler sur le cordon d'alimentation ou la conduite d'eau de la machine à glaçons (sur certains modèles).

Après avoir remis le réfrigérateur en place en le faisant rouler, tournez les pieds vers la droite pour qu'ils supportent de nouveau le poids du réfrigérateur.

Remplacement de l'ampoule

AVERTISSEMENT

Avant de remplacer une ampoule grillée, le réfrigérateur doit être débranché afin d'éviter le contact avec un filament sous tension. (Une ampoule grillée peut se briser lors de son remplacement.)

Le courant du circuit de la lampe n'est pas interrompu même en tournant le bouton de la commande de température vers la position **OFF** (arrêt).

Préparation de départ en vacances

Pour de longues vacances ou absences, enlevez tous vos aliments et débranchez votre réfrigérateur. Mettez le bouton de commande de la température en position **OFF** et nettoyez l'intérieur avec une solution de bicarbonate de soude, de 15 ml (une cuillère à soupe) de bicarbonate de soude pour 1 litre (une pinte) d'eau. Laissez les portes ouvertes.

Déplacez le levier à la position **STOP** (vers le haut) ou mettez l'interrupteur à la position **OFF** (arrêt) pour le modèle à interrupteur coulissant, et fermez l'arrivée d'eau du réfrigérateur.

Si la température risque de descendre en dessous du point de congélation, demandez à un technicien qualifié de purger votre système d'alimentation d'eau (sur certains modèles) pour empêcher des inondations pouvant occasionner des dégâts sérieux.

Préparation de déménagement

Fixez en place toutes les pièces mobiles, comme la grille, les clayettes et les tiroirs, à l'aide de ruban adhésif, pour empêcher tout dommage. À l'aide de ruban adhésif, fixez les portes sur la carrosserie pour empêcher les portes de s'ouvrir lors d'un déménagement. Assurez-vous que votre réfrigérateur soit en position droite pendant le déménagement.

Instructions d'installation *Modèles 15, 16, 18*

Si vous avez des questions, appelez le 1.800.561.3344 ou visitez notre site Web à l'adresse: www.electromenagersge.ca

AVANT DE COMMENCER

Veuillez lire toutes les directives attentivement.

- **IMPORTANT** – Conservez ces instructions pour l'inspecteur local.
- **IMPORTANT** – Respectez toutes les ordonnances et les codes locaux.
- **Note à l'installateur** – Assurez-vous de laisser ces instructions au consommateur.
- **Note au consommateur** – Conservez ces instructions pour référence future.
- **Niveau de compétence** – L'installation de cet appareil nécessite des compétences mécaniques de base.
- **Temps d'installation** – Installation du réfrigérateur: 15 minutes
Inversion du sens d'ouverture des portes : 15 minutes
- L'installateur est responsable de bien installer ce réfrigérateur.
- Toute panne du produit due à une mauvaise installation n'est pas couverte par la garantie.

ALIMENTATION D'EAU DE LA MACHINE À GLAÇONS (SUR CERTAINS MODÈLES)

Si votre réfrigérateur a une machine à glaçons, il faut le brancher à une conduite d'eau froide. Vous pouvez acheter une trousse d'alimentation d'eau GE (contenant la tuyauterie, le robinet d'arrêt, les joints et les instructions) chez votre revendeur ou en vous adressant à notre site Web à l'adresse www.electromenagersge.ca ou à notre service de Pièces et accessoires au numéro de téléphone 1.800.661.1616.

EMPLACEMENT DU RÉFRIGÉRATEUR

- N'installez jamais votre réfrigérateur dans un emplacement où la température ambiante sera inférieure à 12.7°C (55°F). Il ne se mettra pas en marche suffisamment souvent pour maintenir des températures convenables.
- Installez votre réfrigérateur sur un plancher suffisamment solide pour le porter lorsqu'il est plein.

DÉGAGEMENTS

Prévoyez les dégagements suivants pour faciliter l'installation, la bonne circulation d'air et les raccordements de plomberie et d'électricité.

- Côtés : 19 mm (3/4 po)
- Dessus : 25 mm (1 po)
- Arrière : 50 mm (2 po)

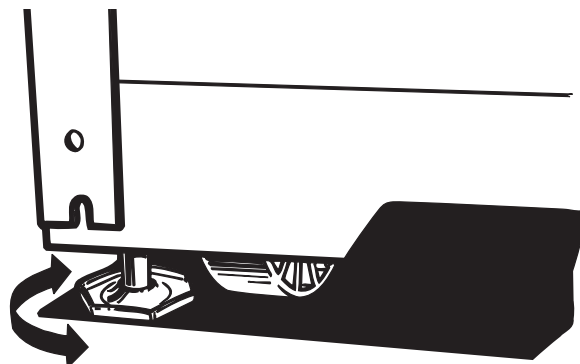
ROULETTES ET PIEDS DE NIVELLEMENT

Les **pieds de nivellement** situés à proximité des coins avant du réfrigérateur sont réglables. Ils maintiennent fermement le réfrigérateur en place et l'empêchent de bouger lors de l'ouverture des portes. Les pieds de nivellement doivent être réglés de sorte que l'avant du réfrigérateur soit suffisamment relevé pour que les portes se ferment facilement lorsqu'elles se trouvent à mi-parcours.

Tournez les pieds de nivellement **vers la droite pour relever** le réfrigérateur, **vers la gauche pour l'abaisser**.

Les **roulettes** situées à proximité des pieds de nivellement vous permettent de déplacer le réfrigérateur du mur pour le nettoyage.

Tournez les pieds vers la gauche jusqu'à ce que le poids du réfrigérateur soit transféré sur les roulettes. Après avoir remis le réfrigérateur en place, tournez les pieds vers la droite jusqu'à ce qu'ils supportent le poids du réfrigérateur.



Instructions d'installation

1 INSTALLATION DE LA CONDUITE D'EAU (SUR CERTAINS MODÈLES)

AVANT DE COMMENCER

Nous recommandons les trousse d'alimentation d'eau en cuivre WX8X2, WX8X3, WX8X4, selon le montant de conduite dont vous avez besoin. Nous approuvons les conduites d'eau en matière plastique GE SmartConnect™ Refrigerator Tubing (WX08X10006, WX08X10015 et WX08X10025).

Si vous installez un système d'eau GE Reverse Osmosis dans votre réfrigérateur, la seule installation approuvée est celle de la trousse GE RVKIT. Pour les autres systèmes d'osmose de l'eau, suivez les recommandations du fabricant.

Cette installation de conduite d'eau n'est pas garantie par le fabricant de réfrigérateur ou de machine à glaçons. Suivez soigneusement ces instructions pour minimiser le risque de dommages onéreux d'inondation.

Les coups de bélier (eau qui donne des coups dans les tuyaux) dans la tuyauterie de la maison peuvent occasionner des dommages aux pièces de votre réfrigérateur, ainsi que des fuites ou des inondations. Appelez un plombier certifié pour corriger les coups de bélier avant d'installer la conduite d'eau de votre réfrigérateur.

Pour prévenir toute brûlure et tout dommage à votre réfrigérateur, ne branchez jamais la conduite d'eau à une canalisation d'eau chaude.

Si vous utilisez votre réfrigérateur avant de raccorder la conduite d'eau, assurez-vous que l'interrupteur de courant de la machine à glaçons se trouve à la position OFF (arrêt) (modèles à interrupteur) ou que le bras palpeur se trouve à la position OFF (arrêt).

N'installez jamais les tuyaux de la machine à glaçon dans des endroits où la température risque de descendre en dessous du point de congélation.

Si vous utilisez un outil électrique (comme une perceuse électrique) pendant l'installation, assurez-vous que l'isolement ou le câblage de cet outil empêche tout danger de secousse électrique.

Vous devez procéder à toutes vos installations conformément aux exigences de votre code local de plomberie.



ATTENTION Le raccordement doit se faire à une alimentation d'eau potable seulement.

CE DONT VOUS AUREZ BESOIN

- **Tuyaux en cuivre ou rousse GE SmartConnect™ Refrigerator Tubing**, diamètre extérieur de 1/4 po pour brancher le réfrigérateur à l'alimentation d'eau. Si vous utilisez un tuyau en cuivre, assurez-vous que les deux extrémités du tuyau soient coupées bien droit.

Pour trouver la longueur de tuyau dont vous aurez besoin : mesurez la distance qui va du robinet d'eau situé derrière le réfrigérateur jusqu'au tuyau d'alimentation d'eau. Ajoutez 1,8 m (6 pieds). Assurez-vous qu'il y ait assez de tuyau en trop (environ 1,8 m [6 pieds] enroulés deux fois en cercles d'environ 25 cm [10 po] de diamètre) pour vous permettre de décoller le réfrigérateur du mur après l'installation.

CE DONT VOUS AUREZ BESOIN (SUITE)

Les trousse GE SmartConnect™ Refrigerator Tubing sont disponibles dans les dimensions suivantes :--

1,8 m (6 pi) – WX08X10006

4,6 m (15 pi) – WX08X10015

7,6 m (25 pi) – WX08X10025

Assurez-vous que votre trousse ait au moins 1,8 m (6 pieds) comme indiqué ci-dessus.

NOTE: Les seuls tuyaux en matière plastique approuvés par GE sont ceux qui font fournis dans les trousse GE SmartConnect™ Refrigerator Tubing. N'utilisez jamais un autre tuyau en matière plastique, car le tuyau d'alimentation d'eau est tout le temps sous pression. Certaines catégories de tuyaux en matière plastique peuvent devenir cassants avec l'âge et peuvent se fendre, en occasionnant des dommages d'inondation dans votre maison.

- Vous pouvez acheter une trousse d'alimentation d'eau GE (contenant un tuyau, un robinet d'arrêt et les joints énumérés ci-dessous) chez votre distributeur local ou en le commandant au service de pièces et accessoires.
- **Une alimentation d'eau froide.** La pression de l'eau doit être entre 20 et 120 p.s.i. (1,4 et 8,1 bar).
- **Une perceuse électrique.**
- **Une clé de 1/2 po ou une clé anglaise.**
- **Un tournevis à lame plate et un tournevis Phillips.**



- **Deux écrous à compression d'un diamètre extérieur de 1/4 po et deux bagues (manchons)**—pour brancher le tuyau en cuivre au robinet d'arrêt et au robinet d'eau du réfrigérateur.

OU BIEN

- Si vous utilisez une trousse GE SmartConnect™ Refrigerator Tubing, les garnitures nécessaires sont déjà montées au tuyau.
- Si votre canalisation d'eau actuelle a un raccord évasé à une extrémité, vous aurez besoin d'un **adaptateur** (que vous trouverez dans votre magasin de matériel de plomberie) pour brancher le tuyau d'eau au réfrigérateur, **OU BIEN** vous pouvez couper le raccord évasé à l'aide d'un **coupe-tube**, puis utiliser un raccord à compression. Ne coupez jamais l'extrémité finie d'un tuyau de la trousse GE SmartConnect™ Refrigerator Tubing.



- **Un robinet d'arrêt** pour brancher le tuyau d'eau froide. Le robinet d'arrêt doit avoir une entrée d'eau avec un diamètre intérieur minimal de 0,45 cm (5/32 po) au point de jonction avec **LA CONDUITE D'EAU FROIDE**. Des robinets d'arrêt à étrier sont souvent inclus dans les trousse d'alimentation d'eau. Avant d'acheter, assurez-vous que le robinet à étrier se conforme à vos codes de plomberie locaux.

Instructions d'installation

1 INSTALLATION DE LA CONDUITE D'EAU (SUITE)

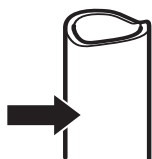
Installez le robinet d'arrêt sur la canalisation d'eau potable la plus fréquemment utilisée.

1 FERMEZ L'ALIMENTATION PRINCIPALE D'EAU ET DÉBRANCHEZ LE RÉFRIGÉRATEUR

Ouvrez le robinet le plus proche en sens inverse des aiguilles d'une montre suffisamment longtemps pour purger le tuyau.

2 CHOIX DE L'EMPLACEMENT DU ROBINET

Choisissez, pour le robinet, un emplacement facilement accessible. Il vaut mieux le brancher de côté à un tuyau vertical. Si vous devez le brancher à un tuyau horizontal, faites le branchement en haut ou de côté, plutôt qu'en bas du tuyau, pour éviter de recevoir des sédiments du tuyau d'alimentation d'eau.



3 PERCEZ UN TROU POUR LE ROBINET

Percez un trou de 1/4 po dans le tuyau d'eau, à l'aide d'un foret dur. Enlevez toute barbare due au perçage du trou dans le tuyau. **Faites attention de ne pas laisser de l'eau couler dans votre perceuse électrique.** Si vous ne percez pas un trou de 1/4 po, vous obtiendrez une alimentation d'eau réduite et des glaçons plus petits.

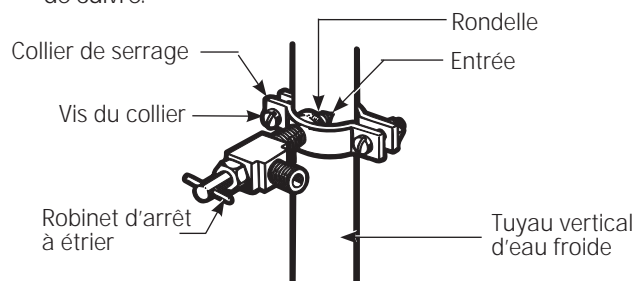


4 FIXEZ LE ROBINET D'ARRÊT

Fixez le robinet d'arrêt au tuyau d'eau froide à l'aide du collier de serrage.

Serrez les vis du collier jusqu'à ce que la rondelle d'étanchéité commence à enfler.

NOTE: Ne serrez pas trop. Vous risquez d'écraser le tuyau de cuivre.



4 ACHEMINEZ LE TUYAU

Acheminez le tuyau du tuyau d'eau froide au réfrigérateur.

Faites passer le tuyau par un trou percé dans le mur ou le plancher (derrière le réfrigérateur ou au niveau de l'armoire de cuisine adjacente), aussi près du mur que possible.

NOTE: Assurez-vous qu'il y ait assez de tuyau en trop (environ 1,8 m [6 pieds] enroulés deux fois en cercles d'environ 25 cm [10 po] de diamètre) pour vous permettre de décoller le réfrigérateur du mur après l'installation.

5 BRANCHEZ LE TUYAU AU ROBINET

Placez un écrou de compression et une bague (manchon) à l'extrémité du tuyau et branchez-les au robinet d'arrêt.

Assurez-vous que le tuyau soit bien inséré dans le robinet. Serrez fort l'écrou de compression.

Pour le tuyau en matière plastique d'une trousse GE SmartConnect™ Refrigerator Tubing, insérez l'extrémité moulée du tuyau dans le robinet d'arrêt et serrez l'écrou de compression à la main, puis serrez un autre demi tour avec une clé. Si vous serrez trop fort, vous pouvez occasionner des fuites.



6 PURGEZ LE TUYAU

Ouvrez le robinet d'alimentation principale d'eau en sens inverse des aiguilles d'une montre et purgez le tuyau jusqu'à ce que l'eau soit claire.

Fermez l'eau au niveau du robinet d'eau après écoulement d'environ 1 litre (1 quart) d'eau par le tuyau.



Instructions d'installation

1 INSTALLATION DE LA CONDUITE D'EAU (SUITE)

7 BRANCHEZ LE TUYAU À VOTRE RÉFRIGÉRATEUR

NOTES:

- Avant de brancher le tuyau à votre réfrigérateur, assurez-vous que le cordon d'alimentation électrique du réfrigérateur ne soit pas branché à la prise murale.
- Nous vous recommandons de poser un filtre à eau (GXRLQ, disponible sur GEApplianceparts.com ou au 800.626.2002) si votre alimentation d'eau contient du sable ou des particules qui peuvent boucher la grille du robinet d'eau de votre réfrigérateur. Installez-le sur la conduite d'eau près de votre réfrigérateur. Si vous utilisez une trousse GE SmartConnect™ Refrigerator Tubing, vous aurez besoin d'un tuyau additionnel (WX08X10002) pour brancher le filtre. Ne coupez jamais un tuyau en matière plastique pour installer votre filtre.

Enlevez le couvercle d'accès.

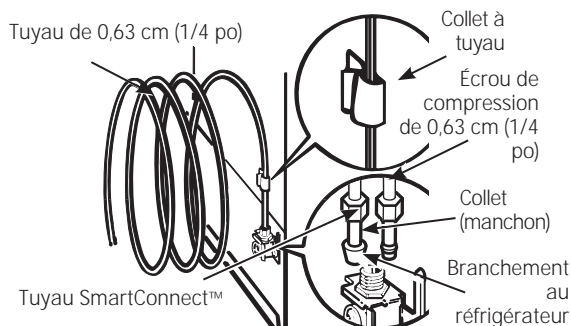
Enlevez le capuchon en matière plastique flexible du robinet d'arrêt d'eau (branchement du réfrigérateur).

Placez l'écrou de compression et la bague (manchon) à l'extrémité du tuyau comme l'indique l'illustration. Si vous utilisez une trousse GE SmartConnect™ Refrigerator Tubing, les écrous sont déjà assemblés au tuyau.

Insérez l'extrémité du tuyau dans le branchement du robinet d'arrêt d'eau, le plus loin que possible. Tout en tenant le tuyau, serrez le raccord.

Si vous utilisez un tuyau en matière plastique d'une trousse GE SmartConnect™ Refrigerator Tubing, insérez l'extrémité moulée du tuyau dans le robinet d'arrêt et serrez l'écrou de compression à la main, puis serrez un autre tour avec une clé. Si vous serrez trop fort, vous pouvez occasionner des fuites.

Fixez le tuyau au collet fourni pour le tenir en position verticale. Il est possible que vous ayez à disjoindre le collet.



Remettez le couvercle d'accès:



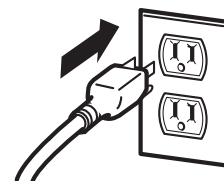
8 FERMEZ L'EAU AU NIVEAU DU ROBINET D'ARRÊT

Resserrez tout joint qui fuit.

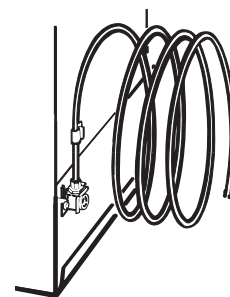


9 INSTALLEZ LE RÉFRIGÉRATEUR

Branchez le réfrigérateur.

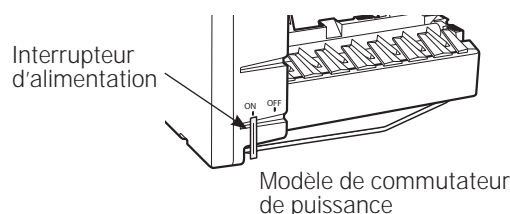


Disposez la spirale de tuyau en cuivre de manière à ce qu'elle ne vibre pas contre l'arrière de votre réfrigérateur ou contre le mur. Mettez votre réfrigérateur à sa place contre le mur en le poussant.



11 METTEZ EN MARCHÉ LA MACHINE À GLAÇONS

Déplacez le levier à la position **ON** (vers le bas) ou déplacez l'interrupteur coulissant vers la position **ON** (marche). La machine à glaçons ne se met en marche que lorsqu'elle atteint une température de fonctionnement de -9°C (15°F) ou moins. Elle commence immédiatement à fonctionner.



Instructions d'installation

2 INVERSION DE L'OUVERTURE DES PORTES

NOTES IMPORTANTES

Pour inverser le sens d'ouverture des portes :

- Lisez toutes les directives avant de commencer.
- Manipulez les pièces avec précaution pour éviter de rayer la peinture.
- Placez les vis avec leurs pièces associées pour éviter de les perdre.
- Posez les portes sur un plan de travail qui ne risque pas de rayer la peinture.

IMPORTANT : Une fois commencée votre inversion du sens d'ouverture des portes, ne déplacez jamais votre réfrigérateur avant d'avoir terminé.

Ces directives s'appliquent à l'inversion des charnières du côté droit au côté gauche. Si vous voulez remettre les charnières à droite, suivez les mêmes directives en inversant toutes les références aux côtés gauche et droit.

ATTENTION Portes pesantes

Les portes des compartiments réfrigérateur et congélateur sont lourdes. Utilisez les deux mains pour immobiliser les portes avant le soulèvement.

OUTILS REQUIS



Tournevis Phillips



Ruban-cache



Tourne-écrou à douille de 3/8 po



Couteau à mastiquer ou tournevis à lame mince



Clé ouverte de 5/16 po



Clé Allen (modèles à poignée en acier inoxydable)

1 AVANT DE COMMENCER

1.1 Débranchez le réfrigérateur.

1.2 Videz tous les balconnets y compris le compartiment laitier.

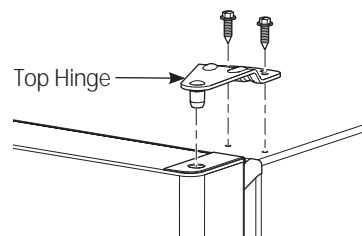
ATTENTION: Ne laissez pas tomber la porte sur le sol ce qui pourrait endommager la butée de porte.

2 ENLÈVEMENT DE LA PORTE DU CONGÉLATEUR

- 2.1 Maintenez la porte fermée avec du ruban à masquer.
- 2.2 Enlevez les vis qui retiennent la charnière supérieure à la caisse.



- 2.3 Enlevez la charnière en la soulevant pour libérer l'axe de charnière du trou sur le dessus de la porte et mettez-la de côté avec ses vis.

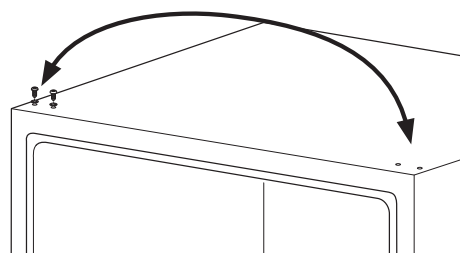


- 2.4 Retirez le ruban adhésif. Soulevez la porte pour la dégager de l'axe de charnière central.



- 2.5 Placez la porte sur une surface antiégratignure avec la surface extérieure vers le haut.

- 2.6 Déplacez les 2 vis depuis le côté opposé de la carrosserie jusqu'aux trous de vis laissés libres par le retrait de la charnière supérieure.



Instructions d'installation

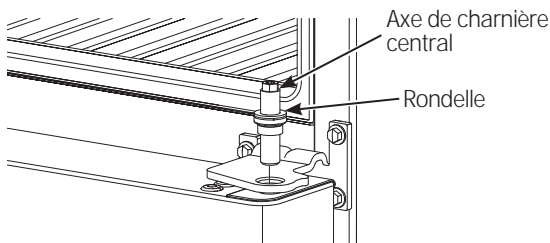
2 INVERSION DE L'OUVERTURE DES PORTES (SUITE)

3 ENLÈVEMENT DE LA PORTE DU RÉFRIGÉRATEUR

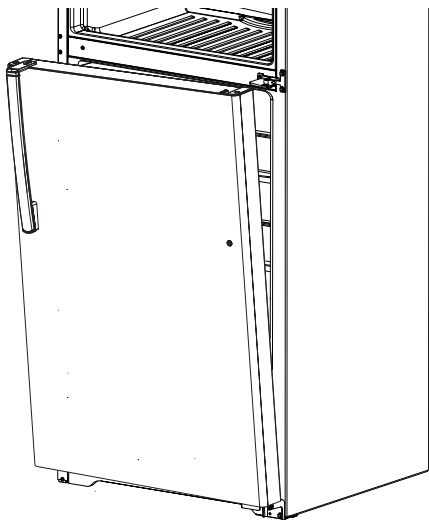
3.1 Maintenez la porte fermée avec du ruban à masquer.



3.2 Dévissez l'axe de charnière central et retirez-le de son logement. Veillez à ne pas perdre la charnière centrale et la rondelle.



3.3 Enlevez le ruban et inclinez la porte en l'éloignant de la caisse. Relevez la porte de l'axe dans le support de charnière inférieure (si la rondelle en plastique colle au bas de la porte, replacez-la sur la charnière).



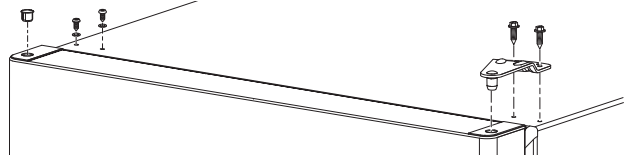
3.4 Placez la porte avec l'extérieur vers le haut sur une surface antiégratignure.

4 INVERSION DE LA QUINCAILLERIE

4.1 Intertvertissez la charnière et les vis de la droite supérieure avec les vis de la gauche supérieure. Ne serrez pas les vis du côté charnière.

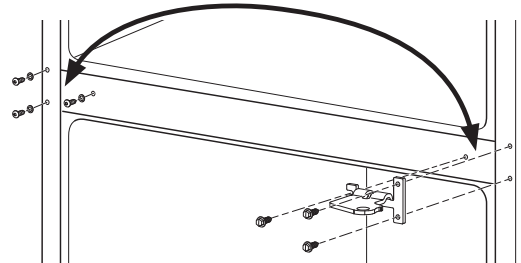
NOTA: Certaines charnières sont dotées de 4 trous. Les trous que vous utilisez pour l'installation dépendent du côté où vous posez la charnière.

Une installation correcte exige que le bord extérieur de la charnière soit parallèle au bord de la carrosserie.

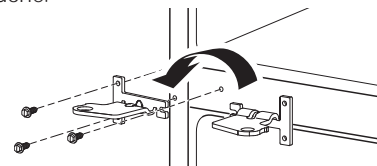


4.2 Enlevez les trois vis qui fixent la charnière centrale à la carrosserie.

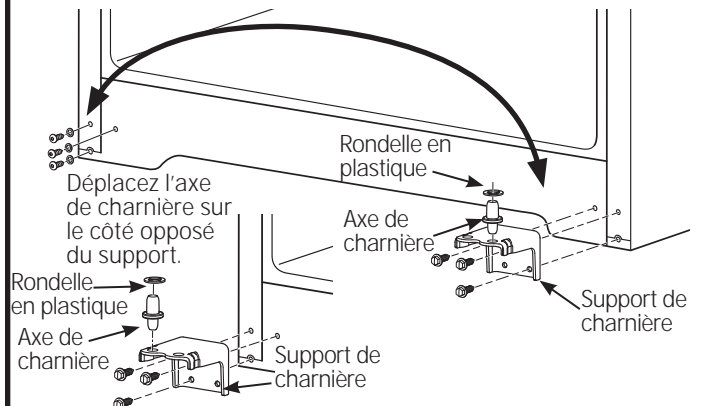
4.3 Déplacez les trois vis depuis le côté opposé de la carrosserie jusqu'aux trous de vis laissés libres par le retrait de la charnière centrale.



4.4 Reposez la charnière centrale avec les trois vis du côté gauche de la carrosserie. **NOTA :** La charnière centrale doit être retournée comme illustrée lorsqu'elle est montée du côté gauche.



4.5 Enlevez les vis qui fixent la charnière inférieure à la carrosserie. Déplacez la charnière inférieure depuis la droite jusqu'au côté gauche de la carrosserie. Déplacez l'axe de charnière sur le côté opposé de la charnière et réinsérez les vis.



Installation Instructions

5 INVERSION DES POIGNÉES DE PORTE

POIGNÉE EN ACIER INOXYDABLE

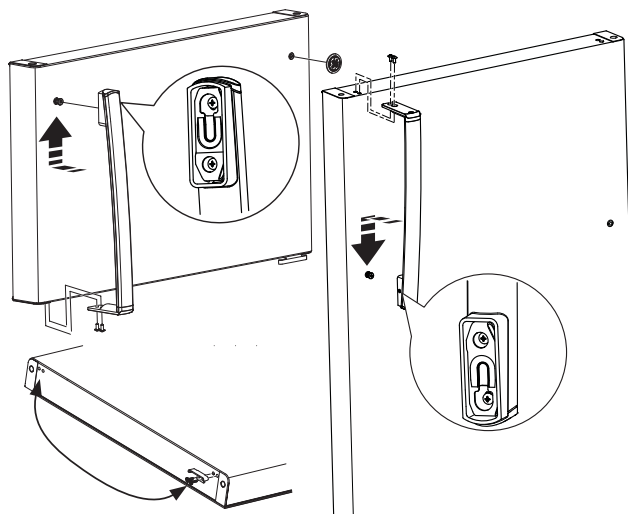
- 5.1a. Enlevez les vis de la poignée dans le haut de la porte du réfrigérateur. Enlevez les vis de la poignée dans le bas de la porte du réfrigérateur.
- 5.2a. Desserrez la vis de pression de la poignée à l'aide de la clé 1/8 po fournie.
- 5.3a. Retirez la poignée de porte.
- 5.4a. Inversez les positions de la fixation de poignée et du bouchon sur le devant de la porte.
- 5.5a. Déplacez les bouchons dans le haut et le devant de la porte pour boucher les trous inoccupés.
- 5.6a. Déplacez la butée de porte dans le bas de la porte.
- 5.7a. Fixez la poignée de la porte du réfrigérateur à l'aide de vis dans le haut de la poignée. Utilisez la clé hexagonale 1/8 po pour serrer la vis de pression dans le bas de la poignée.
- 5.8a. Fixez la poignée sur la porte du congélateur à l'aide de vis dans le bas de la poignée. Utilisez la clé hexagonale 1/8 po pour serrer la vis de pression dans le haut de la poignée.
- 5.9a. Fixez l'écusson sur la porte du congélateur du côté opposé de la poignée.



5 INVERSION DES POIGNÉES DE PORTE (SUITE)

MONTAGE DE LA POIGNÉE DE PLASTIQUE

- 5.1b. Enlevez les vis de la poignée dans le haut de la porte du réfrigérateur. Enlevez les vis de la poignée dans le bas de la porte du réfrigérateur.
- 5.2b. Enlevez la poignée de la porte du réfrigérateur en la glissant vers le haut pour la dégager de la fixation. Enlevez la poignée de la porte du congélateur en la glissant vers le bas pour la dégager de la fixation.
- 5.3b. Inversez les positions de la fixation de poignée et du bouchon sur le devant de la porte.
- 5.4b. Déplacez les bouchons dans le haut et le devant de la porte pour boucher les trous inoccupés.
- 5.5b. **Déplacez la butée de porte dans le bas de la porte.**
- 5.6b. Fixez la poignée sur la porte du réfrigérateur en la glissant vers le bas sur la fixation puis à l'aide de vis dans le haut de la poignée.
- 5.7b. Fixez la poignée sur la porte du congélateur en la glissant vers le haut sur la fixation puis à l'aide de vis dans le bas de la poignée.
- 5.8b. Fixez la poignée sur la porte du congélateur en la glissant vers le haut sur la fixation puis à l'aide de vis dans le bas de la poignée.

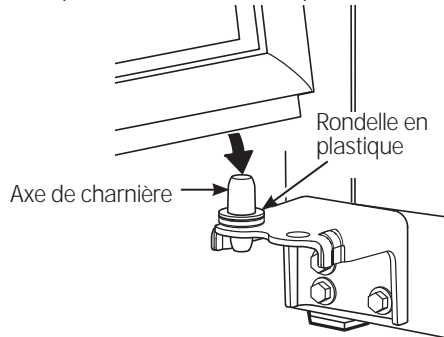


2 INVERSION DE L'OUVERTURE DES PORTES (SUITE)

6 REMISE EN PLACE DES PORTES

6.1 Remise en place de la porte du réfrigérateur

6.1.1 Abaissez la porte du compartiment réfrigérateur sur l'axe de charnière inférieur. Assurez-vous que la rondelle est en place sur l'axe.



6.1.2 Inclinez la porte vers la carrosserie. Lorsque la porte arrive en position, alignez le logement dans la porte sur le trou dans la charnière centrale. Placez l'axe de charnière central dans le trou de la charnière centrale, puis serrez. Assurez-vous que la rondelle se trouve sur le dessus de l'axe.



6 REMISE EN PLACE DES PORTES (SUITE)

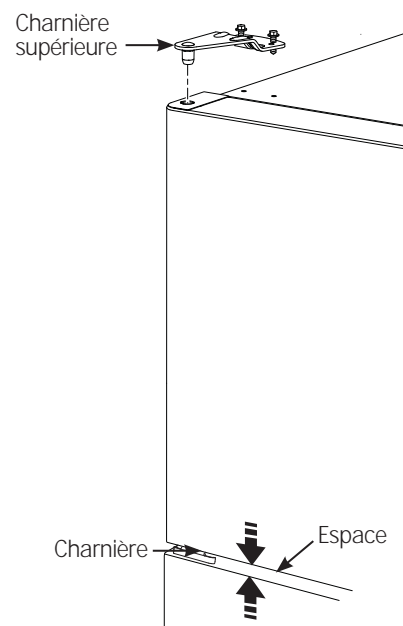
6.2 Remise en place de la porte du congélateur

6.2.1 Placez la porte du congélateur sur l'axe de charnière centrale. Assurez-vous que la rondelle est en place sur l'axe.



6.2.2 Inclinez la porte vers la carrosserie, en soulevant la charnière supérieure de façon que l'axe s'insère dans le logement dans le haut de la porte.

6.2.3 S'assurer que la porte est légèrement au-dessus du haut de la carrosserie et que l'espace entre les portes est uniforme sur l'ensemble du devant. Serrer les vis de la charnière supérieure. Ne serrez pas ces vis excessivement. Serrez-les jusqu'au bout, puis d'un autre demi-tour.



Bruits normaux de fonctionnement

Les réfrigérateurs plus récents font des bruits différents de ceux des anciens. Les réfrigérateurs modernes présentent plus de fonctions et sont plus avancés sur le plan technologique.

Entendez-vous ce que j'entends? Ces bruits sont normaux.

- Le nouveau compresseur à rendement élevé peut fonctionner plus longtemps et plus vite que votre ancien réfrigérateur et vous pouvez entendre un son modulé ou un ronflement aigu pendant son fonctionnement.
- Vous pouvez entendre un sifflement lorsque les portes se ferment. Cela vient de l'équilibrage de pression dans le réfrigérateur.

**HUMMM...
WOUUCH...**



- Vous pouvez entendre les ventilateurs tourner à hautes vitesses. Cela se produit lorsque le réfrigérateur vient d'être branché, lorsque les portes sont ouvertes fréquemment ou lors de l'ajout d'une grande quantité d'aliments dans les compartiments congélateur ou réfrigérateur. Les ventilateurs permettent de maintenir les bonnes températures.

CLICS, CLAQUEMENTS, CRAQUEMENTS et GRÉSILLEMENTS

- Vous pouvez entendre des craquements ou des claquements lorsque le réfrigérateur est branché pour la première fois. Cela se produit lorsque le réfrigérateur se refroidit à la bonne température.
- Le compresseur peut causer un clic ou un grésillement lors de la tentative de redémarrage (cela peut prendre 5 minutes).
- L'expansion et la contraction des serpentins de refroidissement pendant et après le dégivrage peuvent causer un craquement ou un claquement.
- Sur les modèles équipés d'une machine à glaçons, après un cycle de fabrication de glaçons, vous pouvez entendre les glaçons tomber dans le bac.

BRUITS D'EAU

- Le passage de l'agent frigorigère dans les serpentins de refroidissement du congélateur peut être accompagné d'un gargouillement semblable à celui de l'eau en ébullition.
- L'eau tombant sur l'élément chauffant de dégivrage peut faire un bruit de grésillement, de claquement ou de bourdonnement pendant le cycle de dégivrage.
- Un bruit de suintement d'eau peut être entendu pendant le cycle de dégivrage lorsque la glace de l'évaporateur fond et tombe dans le bac de récupération.
- Fermer la porte peut causer un gargouillement en raison de l'équilibrage de pression.

Service après-vente.

Avant de communiquer avec le service après-vente, consultez les conseils de dépannage dans le manuel d'utilisation. Au besoin, une visite de service peut être cédulée en appelant le 800.561.3344.

Vérité ou mythe

Vérité ou mythe?	Réponse	Explication
La machine à glaçons automatique produit de la glace lorsque le réfrigérateur est branché dans une prise électrique.	MYTHE	Le réfrigérateur doit être raccordé à l'alimentation d'eau et la machine à glaçons doit être allumée. Assurez-vous d'allumer la machine à glaçons, mais seulement après avoir raccordé la conduite d'eau et ouvert le robinet d'eau. La machine à glaçons s'éteint en mettant l'interrupteur à la position OFF (Arrêt). La température du congélateur doit être égale ou inférieure à 15 degrés avant que la machine à glaçons ne produise de la glace. Veuillez patienter 24 heures pour permettre au réfrigérateur de refroidir et à la température de se stabiliser.
Je n'observerai jamais de givre à l'intérieur du compartiment congélateur.	MYTHE	Le givre à l'intérieur du congélateur indique généralement que la porte n'est pas suffisamment étanche ou qu'elle a été laissée ouverte. Si du givre est observé, enlevez-le à l'aide d'une spatule en plastique et d'une serviette, puis assurez-vous qu'aucun emballage ou contenant d'aliment ne gêne la fermeture de la porte. Pour réduire le risque de givrage, assurez-vous de laisser un dégagement suffisant à l'admission d'air et aux événements du congélateur afin d'améliorer la circulation. Recouvrez toujours les aliments avant de les ranger dans le réfrigérateur puisque l'humidité émanant des contenants ouverts peut contribuer à l'apparition du givre.
Les poignées de la porte du réfrigérateur peuvent se serrer facilement.	MYTHE	Lâche ou ont une poignées d'écart peuvent être serrées à l'aide des vis aux extrémités des poignées.
Une fois démarrée, la machine à glaçons a gaspillé 24 heures de production de glace.	MYTHE	Le premier lot de glace doit être jeté en raison d'une odeur et d'un goût douteux.
La porte doit toujours être enlevée lors de l'installation.	MYTHE	Les portes ne doivent être enlevées qu'en cas de nécessité pour éviter d'endommager les lieux de passage ou permettre l'accès à l'emplacement final. Si les portes sont enlevées, veuillez consulter la section Inversion de l'ouverture des portes pour connaître la procédure de remise en place.
Il est possible d'ajuster les roulettes arrière.	MYTHE	Les pattes de nivellement avant sont ajustables et sont utilisées pour équilibrer le réfrigérateur. Les pattes de nivellement servent à l'ajustement initial de la porte du réfrigérateur. Une légère pente d'environ ¼ po doit être laissée de l'avant vers l'arrière pour garantir la fermeture des portes.
N'importe quel nettoyant tout usage peut servir à nettoyer le réfrigérateur.	MYTHE	Les nettoyants tout usage ne sont pas recommandés pour le réfrigérateur. N'utilisez pas de cire, de produit à polir, d'ammoniaque, de javellisant ou d'autres produits contenant du chlore sur aucune des surfaces. Nettoyez les surfaces à l'aide d'un chiffon imbibé d'eau savonneuse. Asséchez à l'aide d'un linge doux. On peut nettoyer les portes en acier inoxydable avec un nettoyant de commerce spécialement conçu à cet effet. Les nettoyants qui contiennent de l'acide oxalique (p.ex. Bar Keepers Friend Soft Cleanser™) élimineront la rouille, la ternissure et les petites taches. Utilisez uniquement un nettoyant liquide exempt d'abrasif et frottez dans la direction des lignes de brosse à l'aide d'une éponge douce humide. N'utilisez pas de cire ou de produit à polir pour électroménagers sur l'acier inoxydable.
Un nettoyage et un entretien réguliers prolongeront la durée de vie des joints d'étanchéité.	MYTHE	Nettoyez les joints d'étanchéité avec de l'eau tiède savonneuse. Assurez-vous que les plis sont bien propres et secs après le nettoyage. Assurez-vous que les rebords sont exempts de particules et de saletés. Une fois les joints d'étanchéité nettoyés, appliquez de la paraffine ou de la gelée de pétrole sur les joints d'étanchéité et sur les charnières (du côté charnière). Cette mesure empêchera les joints de coller ou de se déformer.
À la livraison, les portes peuvent comporter une pellicule protectrice qui doit être retirée avant l'utilisation.	MYTHE	Les portes au fini lisse (inox, ardoise, noir et blanc brillants ou argent métallique) comportent une pellicule de plastique transparent sur la porte qui doit être retirée après l'installation.
Vous avez d'autres questions? Pour plus de renseignements sur votre réfrigérateur ou d'autres électroménagers GE, veuillez visiter le www.electromenagersge.ca .		

Garantie du réfrigérateur.



Pour les clients des États-Unis, toutes les réparations en vertu de la garantie sont fournies par nos Centre de Service d'Usine ou par un technicien autorisé Customer Care®. Pour prévoir une réparation, consultez notre site GEAppliances.com ou appelez le 800.GE.CARE5 (800.432.2737). Veuillez avoir votre numéro de série et votre numéro de modèle à portée de main lorsque vous appelez pour obtenir un service.

Au Canada, appelez le 800.561.3344.

Agrafez votre facture ici.
Pour bénéficier du service de réparation sous garantie, une preuve de la date d'achat initial est nécessaire.

Pour le diagnostic, la réparation de votre réfrigérateur peut nécessiter l'utilisation du port de données embarqué. Celui-ci permet au technicien de réparation GE de diagnostiquer rapidement des problèmes avec votre appareil. Il permet également à GE d'améliorer ses produits en fournissant à ces derniers des informations sur votre appareil. Si vous ne voulez pas que les données de votre appareil soient envoyées à GE, veuillez demander à votre technicien de NE PAS soumettre les données à GE pendant la réparation.

Pendant la période de garantie de :	GE remplacera :
Un An A compter de la date d'achat initial	Toute pièce du réfrigérateur qui s'avère défectueuse en raison d'un défaut de matériau ou de fabrication. Pendant la validité de la présente garantie limitée d'un an, GE fournira également gratuitement la main d'œuvre et le service pour réparer la pièce défectueuse.

Ce qui n'est pas couvert par GE :

- Les déplacements à votre domicile pour vous expliquer l'utilisation de ce produit
- Une installation, livraison ou maintenance défectueuse.
- Une panne du produit par abus d'utilisation, par mauvaise utilisation, par modification ou s'il a été utilisé dans un but autre que celui pour lequel il a été fabriqué.
- Détérioration des aliments.
- Le remplacement des fusibles ou le réenclenchement du disjoncteur du domicile.
- Les dommages causés après la livraison.
- Le remplacement de la cartouche filtrante, si incluse, à cause d'une pression d'eau en dehors de la gamme de fonctionnement recommandée ou à cause d'une concentration excessive de sédiments dans l'eau d'alimentation.
- Le remplacement des ampoules, si incluses, ou la cartouche filtrante, si incluse, et dans des conditions autres que celles susmentionnées.
- Tout dommage causé par accident, incendie, inondation ou une catastrophe naturelle.
- Tout dommage fortuit ou indirect causé par des défauts éventuels de cet appareil.
- Le service s'il est impossible d'avoir accès au produit.
- Dommages causés par l'utilisation d'un filtre qui n'est pas de marque GE.
- Tout dommage au fini de l'appareil doit être signalé auprès du magasin où a été effectué l'achat dans les 48 heures suivant la livraison de l'appareil.
- Les produits n'étant pas défectueux, brisés ou qui fonctionnent selon la description du manuel du propriétaire.

EXCLUSION DES GARANTIES TACITES - Votre recours exclusif est l'échange du produit suivant les modalités de la Garantie Limitée. Toutes garanties tacites, y compris les garanties de valeurs marchandes ou d'adéquation à des fins particulières, sont limitées à une durée d'un an ou à la durée la plus courte autorisée par la loi.

Pour les clients des États-Unis : Cette garantie est étendue à l'acheteur d'origine et aux propriétaires suivants pour tout produit acheté pour une utilisation domestique aux États-Unis. Si le produit est installé dans une région où ne se trouve aucun réparateur autorisé GE, vous devrez peut-être assumer les frais de transport ou apporter l'appareil à un centre de service autorisé GE. En Alaska, cette garantie exclut le coût d'expédition ou de dépannage à votre domicile.

Certains états n'acceptent pas d'exclusion ou de limites aux dommages indirects consécutifs. Certains droits particuliers vous sont dévolus en vertu de la présente garantie et peuvent s'accompagner d'autres droits qui varient selon votre lieu de résidence. Pour connaître vos droits juridiques, veuillez consulter le bureau local ou le bureau d'état des affaires aux consommateurs ou le Procureur Général de votre état.

Garant : États-Unis : General Electric Company, Louisville, KY 40225

Cette garantie est étendue à l'acheteur d'origine et aux propriétaires suivants pour tout produit acheté aux Canada pour une utilisation domestique aux Canada. Le service à domicile en vertu de la garantie sera fourni dans les régions où il est disponible et où Mabe estime raisonnable de le fournir.

Garant Canada: MC Commercial, Burlington, Ontario, L7R 5B6

Soutien au consommateur.



Site Web appareils électroménagers GE

electromenagersge.ca

Vous avez une question ou vous avez besoin d'aide pour votre appareil électroménager? Contactez-nous par Internet au site electromenagersge.ca 24 heures par jour, tous les jours de l'année.



Service de réparations

1.800.561.3344

Service de réparations GE est tout près de vous.

Pour faire réparer votre électroménager GE, il suffit de nous téléphoner.



Studio de conception réaliste

Sur demande, GE peut fournir une brochure sur l'aménagement d'une cuisine pour les personnes à mobilité réduite.

Écrivez: Directeur, Relations avec les consommateurs, Mabe Canada Inc.
Bureau 310, 1 Factory Lane
Moncton, N.B. E1C 9M3

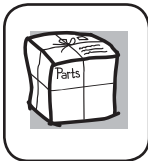


Prolongation de garantie

electromenagersge.ca

Achetez un contrat d'entretien GE avant que votre garantie n'expire et bénéficiez d'un rabais substantiel. Ainsi le service après-vente GE sera toujours là après expiration de la garantie.

Visitez notre site Web ou appelez-nous au 1.800.461.3636.



Pièces et accessoires

Ceux qui désirent réparer eux-mêmes leurs électroménagers peuvent recevoir pièces et accessoires directement à la maison (cartes VISA, MasterCard et Discover acceptées).

Les directives stipulées dans le présent manuel peuvent être effectuées par n'importe quel utilisateur. Les autres réparations doivent généralement être effectuées par un technicien qualifié. Soyez prudent, car une réparation inadéquate peut affecter le fonctionnement sécuritaire de l'appareil.

Vous trouverez dans les pages jaunes de votre annuaire le numéro du Centre de service Mabe le plus proche. Autrement, appelez-nous au 1.888.261.3055.



Contactez-nous

Si vous n'êtes pas satisfait du service après-vente dont vous avez bénéficié :

Premièrement, communiquez avec les gens qui ont réparé votre appareil.

Ensuite, si vous n'êtes toujours pas satisfait envoyez tous les détails—numéro de téléphone compris—au

Directeur, Relations avec les consommateurs, Mabe Canada Inc.
Bureau 310, 1 Factory Lane
Moncton, N.B. E1C 9M3



Inscrivez votre appareil électroménager

Inscrivez votre appareil électroménager en direct, aussitôt que possible. Cela améliorera nos communications et notre service après-vente. Vous pouvez également nous envoyer par la poste le formulaire d'inscription joint à votre documentation.

Información de seguridad 38-39

Instrucciones de operación

Control40
Estantes40
Gavetas de
almacenamiento..... 40-41
Máquina de
hielos automática.....41
Cuidado y limpieza42

Instrucciones para la instalación

Preparación para
instalar el refrigerador.....43
Instalación de la
tubería del agua 44-46
Cómo invertir el
vaivén de la puerta..... 47-50

**Consejos para la solución
de problemas**

Sonidos normales
de operación.....51
Antes de solicitar
un servicio52

Soporte al consumidor

Garantía53
Soporte al consumidor54

Escriba aquí el modelo y el número
de serie:

Modelo # _____

Serie # _____

Encuentre estos números en la etiqueta gris
en el lado izquierdo, cerca de la
parte superior del compartimiento del
refrigerador.

IMPORTANTE INFORMACIÓN DE SEGURIDAD. LEA TODAS LAS INSTRUCCIONES ANTES DE SU USO.

SEGURIDAD

INFORMACIÓN IMPORTANTE DE SEGURIDAD LEA TODAS LAS INSTRUCCIONES ANTES DE USAR



Sitio Web de Electrodomésticos de GE

Para más información sobre el funcionamiento de su refrigerador, visite www.GEApliances.com o comuníquese al 1-800-GECARES (432-2737).

INFORMACIÓN DE SEGURIDAD DEL REFRIGERADOR

! Éste es el símbolo de alerta de seguridad. El mismo alerta sobre potenciales riesgos de muerte o lesiones tanto para usted como para otras personas. Todos los mensajes de seguridad estarán a continuación del símbolo de alerta de seguridad y con la palabra "PELIGRO", "ADVERTENCIA" o "PRECAUCIÓN". Estas palabras se definen como:

- PELIGRO** Signale une situation qui présente un danger imminent et qui, si elle n'est pas évitée, entraînera des blessures graves, voire la mort.
- ADVERTENCIA** Signale une situation qui présente un danger imminent et qui, si elle n'est pas évitée, peut entraîner des blessures graves, voire la mort.
- PRECAUCIÓN** Signale une situation qui présente un danger imminent et qui, si elle n'est pas évitée, peut entraîner des blessures mineures ou graves.

INSTRUCCIONES IMPORTANTES DE SEGURIDAD

ADVERTENCIA A fin de reducir el riesgo de incendio, explosión, descargas eléctricas o lesiones al usar su refrigerador, siga estas precauciones básicas de seguridad:

- Este refrigerador se deberá instalar y ubicar adecuadamente de acuerdo con las Instrucciones de Instalación antes de ser usado.
- Desenchufe el refrigerador antes de realizar su limpieza o reparaciones.
NOTA: Las reparaciones deberán ser realizadas por un Profesional del Servicio Técnico calificado.
- Reemplace todas las piezas y paneles antes de utilizar.
- Debido a los posibles riesgos sobre la seguridad bajo ciertas condiciones, recomendamos enfáticamente no usar prolongadores. Sin embargo, si es necesario usar un prolongador, es absolutamente necesario que sea un prolongador para electrodoméstico de la lista UL (en Estados Unidos) o uno certificado por CSA (en Canadá), de 3 cables con conexión a tierra, que cuente con un enchufe con conexión a tierra y un tomacorriente con una graduación eléctrica del cable de 15 amperes (mínimo) y 120 volts.
- A fin de evitar riesgos de que los niños sufran asfixia o queden atrapados, retire las puertas de comidas frescas y del freezer de cualquier refrigerador antes de deshacerse o dejar de usar el mismo.
- No guarde ni use gasolina u otros vapores inflamables y líquidos cerca de éste o de otros electrodomésticos.
- La corriente al refrigerador no puede ser desconectada por ninguna configuración del panel de control; el refrigerador debe ser desconectado para quitar la corriente.
- No permita que los niños se trepen, paren o cuelguen de las manijas de la puerta o de los estantes del refrigerador. Podrían sufrir lesiones graves.
- En refrigeradores con máquinas de hacer hielo automáticas, evite el contacto con las partes móviles del mecanismo eyector o con el elemento de calefacción que libera los cubos. No coloque los dedos ni las manos en el mecanismo de la máquina de hielo automática mientras el refrigerador esté enchufado.
- No limpie estantes de vidrio ni tapas con agua caliente cuando estén fríos. Los estantes de vidrio y las tapas se pueden romper si son expuestos a cambios de temperatura repentinos o impactos, tales como sacudones o caídas. El vidrio templado está diseñado para destruirse en pequeñas piezas en caso de rotura.
- Mantenga los dedos fuera de los espacios de "riesgo de lastimaduras"; los despejes entre las puertas y entre las puertas y el gabinete son necesariamente pequeños. Tenga el cuidado de cerrar las puertas cuando los niños se encuentren en el área.
- No toque las superficies frías del compartimiento del freezer cuando las manos estén húmedas o mojadas, la piel se podrá adherir a estas superficies extremadamente frías.
- No vuelva a congelar comidas que hayan estado totalmente congeladas en forma previa.
- Antes de reemplazar una lámpara quemada, el refrigerador deberá ser desenchufado a fin de evitar el contacto con el filamento de un cable con corriente. (Existe riesgo de que una lámpara quemada se rompa durante su reemplazo).

IMPORTANTE INFORMACIÓN DE SEGURIDAD. LEA TODAS LAS INSTRUCCIONES ANTES DE SU USO.

GEAppliances.com

SEGURIDAD (CONT.)

ADVERTENCIA **Riesgo de Explosión.**

Mantenga cualquier material y vapores inflamables, tales como gasolina, alejados del refrigerador. Si no se cumple con esto se podrá producir una explosión, incendio o la muerte.

CONEXIÓN DE LA ELECTRICIDAD

ADVERTENCIA **Riesgo de Descarga Eléctrica.**

Enchufe en un tomacorriente con conexión a tierra de 3 cables.

No elimine el cable de conexión a tierra.

No use un adaptador.

Si no se siguen estas instrucciones se podrá producir a muerte, incendios o descargas eléctricas.



Nunca, bajo ninguna circunstancia, corte o elimine el tercer cable (tierra) del cable de corriente. Para su seguridad personal, este electrodoméstico debe estar adecuadamente conectado a tierra.

El cable de corriente de este electrodoméstico contiene un enchufe de 3 cables (conexión a tierra) que se conecta a un tomacorriente de pared estándar de 3 cables (conexión a tierra) para minimizar la posibilidad de riesgos de descargas eléctricas por parte del mismo.

Contrate a un electricista calificado para que controle el tomacorriente y el circuito eléctrico, a fin de asegurar que el enchufe esté correctamente conectado a tierra.

En caso de contar con un tomacorriente de pared de 2 cables, es su responsabilidad y obligación reemplazarlo por un tomacorriente de pared de 3 cables correctamente conectado a tierra. No use un adaptador.

El refrigerador debería estar siempre conectado a un enchufe específico con un índice de voltaje equivalente al que figura en su etiqueta de características técnicas.

Se requiere un suministro eléctrico con fusible y conexión a tierra de 115 voltios de CA, 60 Hz, 15 o 20 amperes. Esto garantiza el mejor funcionamiento y además previene la sobrecarga de los circuitos del hogar, lo cual podría ocasionar riesgos de incendio debido al recalentamiento de cables.

Nunca desenchufe el refrigerador tirando del cable de corriente. Siempre tome su enchufe firmemente y empuje el mismo hacia afuera para retirarlo.

Repare o reemplace de inmediato todos los cables de corriente pelados o con cualquier tipo de daño. No use un cable con cortaduras o abrasión sobre su extensión o extremos.

Al alejar el refrigerador de la pared, se deberá tener cuidado de que no ruede sobre ni dañe el cable de corriente.

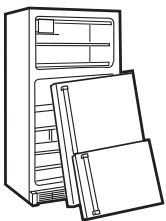
FORMA ADECUADA DE DESCARTAR SU ANTIGUO REFRIGERADOR

ADVERTENCIA : **Riesgo de que los niños sufran asfixia o y queden atrapados.**

Retire del refrigerador las puertas de comidas frescas y del freezer, antes de descartar el refrigerador.

Si esto no se realiza, los niños podrán quedar atrapados y ocasionar la muerte o daño cerebral.

IMPORTANTE: Que un niño quede atrapado o que sufra una asfixia no son problemas del pasado. Los refrigeradores antiguos o abandonados aún son peligrosos, incluso aunque se conserven por "sólo unos pocos días". Si se deshará de su antiguo refrigerador, siga las siguientes instrucciones a fin de evitar accidentes.



Antes de Descartar su Antiguo Refrigerador o Freezer:

- Retire las puertas de comidas frescas y del freezer.

- Deje los estantes en su lugar de modo que los niños no puedan trepar dentro con facilidad.

Refrigerantes

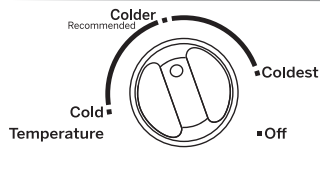
Todos los productos de refrigeración cuentan con refrigerantes, que de acuerdo con la ley federal deberán ser eliminados antes de descartar el producto. Si se deshará de un producto de refrigeración antiguo, consulte a la compañía a cargo sobre cómo deshacerse del mismo.



**LEA Y SIGA ESTA INFORMACIÓN DE SEGURIDAD
CUIDADOSAMENTE.**

GUARDE ESTAS INSTRUCCIONES

Sobre el dial de control de la temperatura.



El control de temperatura ajusta el refrigerador desde la configuración más caliente a la más fría.

Su refrigerador cuenta con la configuración recomendada de fábrica en "Colder" (Frio Medio). Para acceder a una temperatura más fría, gire la perilla en dirección de las agujas del reloj a la configuración "Coldest" (Frio Máximo). Para acceder a una temperatura más caliente, gire la perilla en dirección contraria a las agujas del reloj a la configuración "Cold" (Frio). Para desactivar la función de frío en ambos compartimientos, gire la perilla en dirección de las agujas del reloj a la configuración "Off" (Apagado). Se debe observar que esto no apaga la corriente del refrigerador.

Sobre los estantes del compartimiento de alimentos frescos.

Shelf supports at various levels allow you to custom-space your shelves. Not all features are on all models.



Para retirar los estantes de ancho completo



Full-Width Shelves

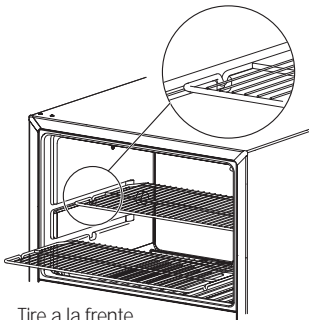
Algunos modelos tienen un estante deslizante en alambre de acero, un estante de vidrio templado estacionario, un estante a prueba de salpicaduras o dos estantes estacionarios en alambre de acero. Estos estantes se pueden mover hacia otro lugar en el compartimiento de alimentos frescos.

El estante deslizante de tamaño completo tiene frenos. Cuando se coloca correctamente en los soportes del estante, el estante frena antes de salirse completamente del refrigerador y no se inclinará cuando coloque o retire alimentos del mismo.

⚠ PRECAUCIÓN

No limpie estantes de vidrio ni tapas con agua caliente cuando estén fríos. Los estantes de vidrio y las tapas se pueden romper si son expuestos a cambios de temperatura repentinos o impactos tales como sacudones o caídas. El vidrio templado está diseñado para destruirse en pequeñas piezas en caso de rotura.

Sobre los estantes del compartimiento del congelador.



Tire a la frente

Estantes del compartimiento del congelador

Cuando se coloquen de forma correcta en los soportes de los estantes, los dos estantes fijos con cables de acero se detendrán antes de salir completamente del freezer y no se inclinarán al colocar o retirar comida de los mismos.

Estantes de Vidrio

Algunos modelos cuentan con estantes de vidrio.

⚠ PRECAUCIÓN

No limpie estantes de vidrio ni tapas con agua caliente cuando estén fríos. Los estantes de vidrio y las tapas se pueden romper si son expuestos a cambios de temperatura repentinos o impactos tales como sacudones o caídas. El vidrio templado está diseñado para destruirse en pequeñas piezas en caso de rotura.

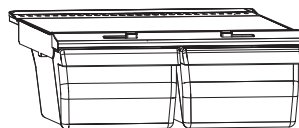
Sobre las gavetas de almacenamiento.

No todas las características están presentes en todos los modelos.



Gaveta de refrigerio

La gaveta de refrigerio se puede mover a la posición más útil según las necesidades de su familia.

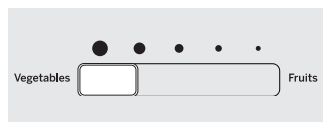


Gavetas para frutas y vegetales

Se debe retirar el exceso de agua que se pueda acumular al fondo de las gavetas y se deben secar las gavetas.

Sobre la remoción de la gaveta de almacenamiento y cubierta.

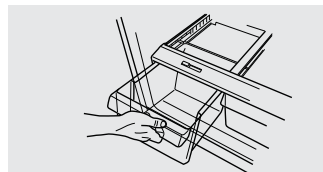
No todas las características están presentes en todos los modelos.



Cajón con Control de Humedad (en algunos modelos)

Deslice el control completamente hasta la posición **HIGH** (alto) para ofrecer la alta humedad recomendada para la mayoría de los vegetales.

Lleve el control por completo hasta la posición **LOW** (bajo) para ofrecer los niveles bajos de humedad recomendados para la mayoría de las frutas.



Retiro del Cajón

Los cajones pueden ser retirados con facilidad tomando ambos lados y levantando levemente mientras se los empuja superando el punto de detención.



Retiro de la Tapa

Para retirar:

- 1 Retire las gavetas.
- 2 Alcance y empuje la parte trasera de la tapa de vidrio hacia arriba, y al mismo tiempo empuje la misma hacia atrás tanto como sea posible.

Inclínela y sáquela. Evite limpiar la cubierta de vidrio fría con agua caliente ya que la diferencia de temperaturas extremas podría causar que se quiebre.

- 3 Retire el marco de la gaveta. (Siempre retire la cubierta de vidrio antes de sacar el marco de la gaveta.)

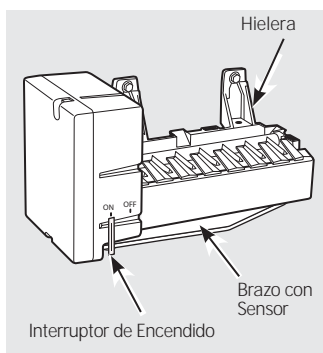
Levante el marco de los soportes en cada costado y atrás, hale hacia delante, incline y saque.

Para reemplazar:

- 1 Baje el marco hasta que descansa sobre los soportes en cada costado y atrás.
- 2 Reemplace la tapa de vidrio, empujando su extremo frontal de manera firme sobre el canal de la estructura frontal, y suavemente haciendo descender la parte trasera hasta su posición.
- 3 Reemplace las gavetas.

Sobre la máquina de hielos automática.

Un refrigerador recientemente instalado puede tomar entre 12 y 24 horas para empezar a hacer hielo.



PRECAUCIÓN Evite el contacto con las partes en movimiento del mecanismo expulsor o con el elemento de calefacción (ubicado en la parte inferior de la máquina de hielo) que expulsa los cubos. No coloque los dedos ni las manos en el mecanismo de la máquina de hielo automática mientras el refrigerador esté enchufado.

Máquina de Hielo Automática (en algunos modelos).

La máquina de hielos producirá siete cubos por ciclo, aproximadamente entre 70 y 100 cubos en un período de 24 horas, dependiendo de la temperatura del compartimiento del congelador, la temperatura del cuarto, el número de veces que se abre la puerta y otras condiciones de uso.

Si el refrigerador se opera antes de hacer la conexión del agua hacia la máquina de hielo, coloque el interruptor en la posición **OFF** (Apagado).

Cuando el refrigerador fue desconectado del suministro de agua, mueva el interruptor a la posición **ON** (Encendido).

La máquina de hielos se llenará de agua cuando se enfríe hasta 15°F. Un refrigerador recién instalado se puede tomar entre 12 y 24 horas para empezar a hacer cubos de hielo.

Una vez que la máquina de hielos comienza a hacer el hielo, podrá tardar hasta 48 horas en llenar el cubo, dependiendo de las configuraciones de la temperatura y de la cantidad de aperturas de la puerta.

Escuchará un zumbido cada vez que la máquina de hielos se llene de agua.

ADVERTIR: Deseche los primeros cubos de hielo para permitir que la línea del agua se limpie.

Asegúrese de que nada interfiera con el movimiento del brazo indicador.

Cuando el contenedor se llene al nivel del brazo indicador, la máquina de hielos dejará de producir hielos.

Es normal que varios cubos de hielo se junten.

Si el hielo no se usa con frecuencia, los cubos de hielo viejo se volverán turbios, con sabor rancio y se encogerán o se fusionarán.

Kit de accesorios de la máquina de hielos

Si su refrigerador no viene ya equipado con una máquina de hielos automática, existe un kit accesorio para la máquina de hielos que está disponible por un costo adicional.

Revise en la parte posterior del refrigerador en busca del kit para la máquina de hielos específica que necesita para su modelo.

Cuidado y limpieza del refrigerador.

Limpeza exterior

Las manijas de la puerta y accesorio (en algunos modelos). Limpie con un paño humedecido con agua jabonosa. Seque con un paño seco.

Mantenga el exterior limpio. Límpielo con un paño ligeramente humedecido con cera de cocina para electrodomésticos o detergente líquido suave para platos. Seque y brille con un paño limpio y seco.

No limpie el refrigerador con un paño sucio para platos o con una toalla mojada. Estos pueden dejar residuos y pueden erosionar la pintura. No use almohadillas de restregar, limpiadores en polvo, blanqueadores o limpiadores que contengan blanqueadores o amoníaco ya que estos productos pueden raspar y debilitar el acabado de pintura.

Las puertas y las manijas de las puertas de acero inoxidable (en algunos modelos) pueden ser limpiados con un limpiador para acero inoxidable para usos comerciales. Los limpiadores con ácido oxálico tales como Bar Keepers Friend Soft Cleanser™ eliminarán el óxido, deslustres y pequeñas manchas. Use sólo un limpiador líquido libre de material abrasivo y frote en la dirección de las líneas del cepillo con una esponja suave y húmeda. No utilice cera para electrodomésticos sobre el acero inoxidable.

Limpeza interior

Para ayudar a evitar olores, deje una caja abierta de bicarbonato en los compartimientos de alimentos frescos y en el congelador.

Desconecte el refrigerador antes de limpiarlo. Si esto no es práctico, escurra la humedad excesiva con una esponja o paño al limpiar alrededor de los interruptores, luces o controles.

Use una solución de agua tibia y bicarbonato—una cucharada (15 ml) de bicarbonato para un cuarto (1 litro) de agua. Esto limpia y neutraliza los olores. Enjuague y seque.

Después de limpiar los empaques de la puerta, aplique una capa delgada de vaselina en los empaques de la puerta en el costado de la bisagra. Esto ayuda a evitar que los empaques se peguen y se doblen hasta perder su forma.

PRECAUCIÓN No limpie estantes de vidrio ni tapas con agua caliente cuando estén fríos. Los estantes de vidrio y las tapas se pueden romper si son expuestos a cambios de temperatura repentinos o impactos tales como sacudones o caídas. El vidrio templado está diseñado para destruirse en pequeñas piezas en caso de rotura. No lave ninguna parte plástica del refrigerador en la lavadora de platos.

Mover el refrigerador

Tenga cuidado al mover el refrigerador lejos de la pared. Todos los tipos de cubiertas de piso se pueden dañar, particularmente las cubiertas acojinadas y aquellas con superficies con diseños en relieve.

Hale el refrigerador en línea recta y regréselo a su posición empujándolo de la misma forma. **Mover el refrigerador en una dirección lateral puede resultar en daños a la superficie del piso o al refrigerador.**

Cuando empuje de nuevo el refrigerador, asegúrese de no pisar el cable eléctrico o la línea de suministro a la máquina de hielos (en algunos modelos).

Después de rodar el refrigerador a su posición, gire las patas del refrigerador en el sentido de las manecillas del reloj hasta que las patas sostengan nuevamente el peso del refrigerador.

Reposición de la bombilla

ADVERTENCIA Antes de reemplazar una lámpara quemada, el refrigerador deberá ser desenchufado a fin de evitar el contacto con el filamento de un cable con corriente. (Existe riesgo de que una lámpara quemada se rompa durante su reemplazo).

Girar el control a la posición **OFF** no desconecta la corriente del circuito de la luz.

Cómo prepararse para las vacaciones

Para una largas vacaciones o ausencias, retire los alimentos y desconecte el refrigerador. Gire el dial de control de la temperatura hacia la posición **OFF** (apagado), y limpie el interior con una solución de una cucharada de bicarbonato (15 ml) y un cuarto (1 litro) de agua. Deje las puertas abiertas.

Mueva el interruptor a la posición **OFF** (Apagado) en el modelo con interruptor deslizante y cierre el suministro de agua hacia el refrigerador.

Si la temperatura puede caer por debajo del punto de congelamiento, haga que una persona calificada drene el sistema del suministro de agua (en algunos modelos) para evitar serios daños a la propiedad causados por inundaciones.

Cómo prepararse para trasladarse

Asegure todos los artículos sueltos como la rejilla, los estantes y cajones pegándolos con cinta en su lugar para evitar daños. A fin de evitar la apertura de puertas durante el movimiento, asegure las mismas al cuerpo con cinta. Asegúrese de que el refrigerador permanezca en una posición vertical durante el traslado.

Instrucciones para la instalación *Modelos 15, 16, 18*

Si tiene preguntas, llame al 800.GE.CARES (800.432.2737) o bien visite nuestra página Web: GEAppliances.com

ANTES DE INICIAR

Lea estas instrucciones completa y cuidadosamente.

- **IMPORTANTE** – Guarde estas instrucciones para uso del inspector local.
- **IMPORTANTE** – Observe todos los códigos y órdenes de ley.
- **Nota al instalador** – Asegúrese de dejar estas instrucciones con el consumidor.
- **Nota al consumidor** – Conserve estas instrucciones para referencia futura.
- **Nivel de destreza** – La instalación de este aparato requiere de destrezas mecánicas básicas.
- **Tiempo de ejecución** – Instalación del refrigerador
15 minutos
Invertir el vaivén de la puerta
15 minutos
- La instalación apropiada es la responsabilidad del instalador.
- La falla del producto debido a una instalación inadecuada no está cubierta por la garantía.

SUMINISTRO DE AGUA HACIA LA MÁQUINA DE HIELOS (en algunos modelos)

Si el refrigerador tiene una máquina de hielos, se tendrá que conectar a una tubería de agua potable fría. Un kit de suministro de agua (contiene tubería de cobre, válvula de cierre, accesorios e instrucciones) está disponible con un costo adicional a través de su proveedor, visitando nuestra página Web GEAppliances.com o bien a través de Partes y Accesorios, 1.800.661.1616.

UBICACIÓN DEL REFRIGERADOR

- No instale el refrigerador donde la temperatura baje de 55°F (12.7°C) ya que no correrá con suficiente frecuencia para mantener las temperaturas apropiadas.
- Instálela en un piso fuerte para que lo soporte con carga completa.

ÁREA

Permita el siguiente espacio para una fácil instalación, apropiada circulación del aire y conexiones de plomería y eléctricas.

- Costados 3/4" (19 mm)
- Arriba 1" (25 mm)
- Atrás 2" (50 mm)

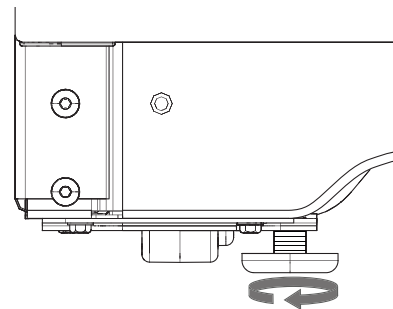
RODILLOS Y PATAS NIVELADORAS

Las patas niveladoras cerca de cada esquina delantera del refrigerador son ajustables. Éstas colocan firmemente el refrigerador y evitan que se mueva cuando las puertas se abran. Las patas niveladoras se deben colocar de manera que el frente del refrigerador se levante lo suficiente para que las puertas se cierren fácilmente cuando se abran hasta la mitad.

Gire las patas niveladoras en el sentido de las manecillas del reloj para levantar el refrigerador, y en el sentido contrario para bajarlo.

Los rodillos al lado de las patas niveladoras le permiten mover el refrigerador lejos de la pared para limpiarlo.

Gire las patas en el sentido contrario de las manecillas del reloj hasta que el peso del refrigerador se traslade de éstas hacia los rodillos. Después de rodar el refrigerador de nuevo hacia su lugar, gire las patas en el sentido de las manecillas del reloj hasta que las patas sostengan nuevamente el peso del refrigerador.



Instrucciones para la instalación

1 CÓMO INSTALAR LA TUBERÍA DEL AGUA (EN ALGUNOS MODELOS)

ANTES DE INICIAR

Los kits de cobre recomendados para el suministro de agua son WX8X2, WX8X3 o WX8X4, dependiendo de la cantidad de tubería necesaria. Las tuberías plásticas aprobadas para el suministro de agua son las tuberías para el refrigerador SmartConnect™ de GE (WX08X10006, WX08X10015 y WX08X10025).

Al conectar su refrigerador a un Sistema de Agua de Ósmosis Inversa de GE, la única instalación aprobada es con un kit de Ósmosis Inversa de GE. Para otros sistemas de agua de ósmosis inversa, siga las instrucciones del fabricante.

Esta instalación de la tubería del agua no está garantizada por el fabricante del refrigerador o de la máquina de hielos. Siga estas instrucciones cuidadosamente para minimizar el riesgo de un daño costoso debido al agua.

El martilleo del agua (agua golpeando contra la tubería) en la tubería de la casa puede causar daños a las partes del refrigerador y conducir a un goteo o inundación por el agua. Llame a un plomero calificado para corregir el martilleo del agua antes de instalar la tubería del agua al refrigerador.

Para evitar quemaduras y daños con el producto, no conecte la tubería del agua a la tubería del agua caliente.

Si usa el refrigerador antes de conectarlo al suministro de agua, asegúrese de que el interruptor de la máquina de hielos se encuentre en la posición **OFF (Apagado)** (en modelos con interruptor) o que el brazo de funcionamiento esté en la posición **OFF (Apagado)**.

No instale la tubería de la máquina de hielos en lugares donde la temperatura caiga por debajo del nivel de congelamiento.

Al usar cualquier aparato eléctrico (como un taladro eléctrico) durante la instalación, asegúrese de que el aparato esté aislado o conectado de manera que evite el peligro de una descarga eléctrica, o se opere por baterías.

Todas las instalaciones se deben realizar según los requisitos del código local de plomería.

⚠ PRECAUCIÓN Conecte al suministro de agua potable solamente.

QUÉ NECESITA

- **Kit de tubería de cobre para el refrigerador o SmartConnect™ de GE**, 1/4" de diámetro externo para conectar el refrigerador al suministro de agua. Si usa cobre, asegúrese de que ambos extremos de la tubería se corten uniformemente.

Para determinar la cantidad de tubería que necesita: mida la distancia desde la válvula del agua en la parte posterior del refrigerador hasta el tubo de suministro de agua. Luego agregue 6 pies (1,8 m). Asegúrese de que haya suficiente tubería adicional (unos 6 pies [1,8 m] enrollado en dos vueltas de unas 10 pulgadas [25 cm] de diámetro) para permitir que el refrigerador se pueda mover de la pared después de la instalación.

QUÉ NECESITA (CONT.)

Los kits de tubería para el refrigerador SmartConnect™ de GE están disponibles en las siguientes longitudes:

- 6' (1,8 m) – WX08X10006
- 15' (4,6 m) – WX08X10015
- 25' (7,6 m) – WX08X10025

Asegúrese de que el kit que haya seleccionado permita al menos 6 pies (1,8 m) como se describe arriba.

NOTA: La única tubería de plástico aprobada de GE es la que viene provista con los kits de tubería para el refrigerador SmartConnect de GE. No use ninguna otra tubería plástica para el suministro del agua ya que la tubería está bajo presión todo el tiempo. Ciertos tipos de plástico se fracturarán o se romperán con el tiempo y causarán daños en su casa debido al agua.

- Un kit de suministro de agua de GE (contiene tubería, válvula de cierre y accesorios enumerados abajo) está disponible a un costo adicional en su tienda o por medio de Partes y Accesorios.

- Un suministro de agua fría.

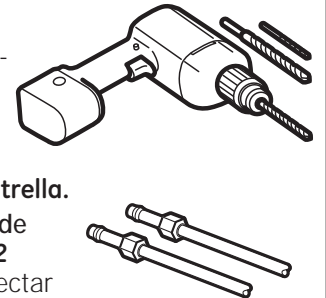
La presión del agua debe estar entre 20 y 120 p.s.i. (1,4-8,1 bar).

- Taladro eléctrico.

- Llave de 1/2" o ajustable.

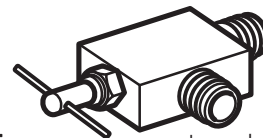
- Destornillador plano y de estrella.

- Dos tuercas de compresión de 1/4" de diámetro exterior y 2 férulas (mangas) – para conectar la tubería de cobre a la válvula de cierre y la válvula del agua del refrigerador.



O BIEN

- Si está usando un kit de tubería para el refrigerador SmartConnect™ de GE, los accesorios necesarios ya vienen preinstalados en la tubería.
- Si su tubería existente de cobre para el agua tiene un accesorio con vuelo en el extremo, necesitará un **adaptador** (disponible en las tiendas de suministros de plomería) para conectar la línea del agua al refrigerador. **O BIEN**, podrá cortar el accesorio con vuelo con un cortador **de tubos y luego** usar un accesorio de compresión. No corte el extremo formado de la tubería para el refrigerador SmartConnect™ de GE.



- **Válvula de cierre** para conectar a la línea del agua fría. La válvula de cierre deberá tener una entrada de agua con un diámetro interno mínimo de 5/32" en el punto de conexión a la **TUBERÍA DEL AGUA FRÍA**. Las válvulas de apagado tipo silla vienen incluidas en muchos kits de suministro de agua. Antes de comprar, asegúrese de que una válvula tipo silla cumple con los códigos de plomería en su localidad.

Instrucciones para la instalación

1 CÓMO INSTALAR LA TUBERÍA DEL AGUA (EN ALGUNOS MODELOS)

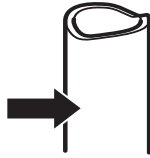
Instale la válvula de cierre en la tubería del agua de consumo más frecuentemente utilizada.

1 CIERRE EL SUMINISTRO PRINCIPAL DE AGUA Y DESENCHUFE EL REFRIGERADOR

Abra el grifo más cercano en contra del sentido de las agujas del reloj por suficiente tiempo para limpiar la tubería del agua.

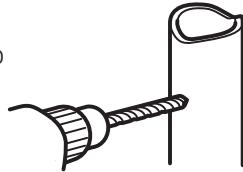
2 ELIJA LA UBICACIÓN DE LA VÁLVULA

Seleccione una ubicación para la válvula que sea fácilmente accesible. Es mejor conectarla en el costado de una tubería vertical de agua. Cuando sea necesario conectarla en una tubería horizontal de agua, haga la conexión en la parte superior o al lado, en vez de hacerlo en la parte de abajo, para evitar retirar cualquier sedimento de la tubería del agua.



3 SELECCIONE LA UBICACIÓN DE LA VÁLVULA

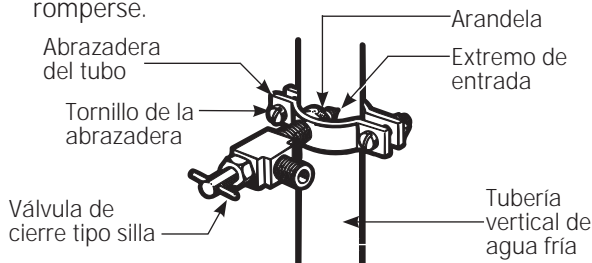
Perfore un orificio de 1/4" en la tubería del agua (incluso si está usando una válvula auto perforadora), usando una broca afilada. Retire cualquier sobrante que resulte de perforar el orificio en la tubería. **Tenga cuidado de no permitir que se filtre agua hacia el taladro.** No perforar un orificio de 1/4" puede resultar en menor producción de hielo o cubos más pequeños.



4 INSTALE LA VÁLVULA DE CIERRE

Una la válvula de cierre a la tubería de agua fría con la abrazadera para el tubo. Apriete los tornillos de la abrazadera hasta que la arandela sellante empiece a hincharse.

NOTA: No apriete demasiado la tubería ya que podría romperse.



5 DIRIJA LA TUBERÍA

Dirija la tubería entre la línea del agua fría y el refrigerador.

Dirija la tubería a través de un orificio perforado en la pared o en el piso (detrás del refrigerador o del gabinete de la base adyacente) lo más cerca posible a la pared.

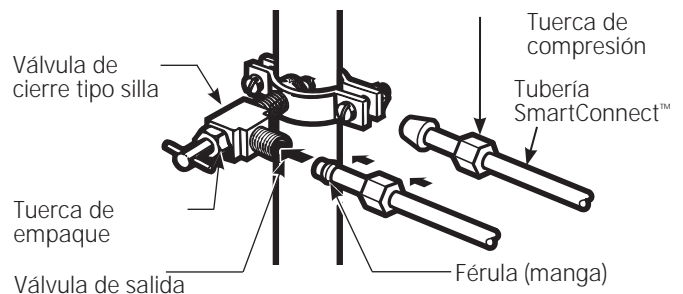
NOTA: Asegúrese de que haya suficiente tubería adicional (unos 6 pies [1,8 m] enrollada en dos vueltas de alrededor de 10" [25 cm] de diámetro) para permitir que el refrigerador se pueda mover de la pared después de la instalación.

6 CONECTE LA TUBERÍA A LA VÁLVULA

Coloque la tuerca de compresión y férula para la tubería de cobre (manga) en el extremo de la tubería y conéctela a la válvula de cierre.

Asegúrese de que la tubería esté completamente insertada en la válvula. Apriete la tuerca de compresión firmemente.

Para tubería de plástico de un kit de tubería para el refrigerador SmartConnect™ de GE, inserte el extremo moldeado de la tubería en la válvula de cierre y apriete la tuerca de compresión hasta que esté firmemente apretada a mano, luego apriete otro giro con una llave. Apretar demasiado puede causar fugas.



7 LAVE LA TUBERÍA

Abra el suministro principal de agua en contra del sentido de las agujas del reloj y lave la tubería hasta que el agua esté limpia.

Cierre el agua en la válvula después de que un cuarto (1 litro) de agua se haya eliminado por la tubería.



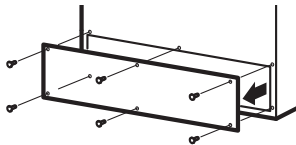
Instrucciones para la instalación

1 CÓMO INSTALAR LA TUBERÍA DEL AGUA (CONT.)

8 CONECTE LA TUBERÍA AL REFRIGERADOR

NOTAS:

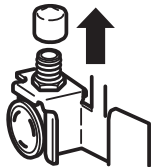
- Antes de hacer la conexión al refrigerador, asegúrese de que el cable de corriente del refrigerador no esté conectado en el tomacorriente de la pared.
- Recomendamos instalar un filtro de agua si su suministro de agua (GXRLQ, disponible en GEApplianceparts.com o llamando al 800.626.2002) tiene arena o partículas que podrían obstruir la malla de la válvula de agua del refrigerador. Instálelo en la tubería del agua cerca al refrigerador. Si usa un kit de tubería para el refrigerador SmartConnect™ de GE, necesitará un tubo adicional (WX08X10002) para conectar el filtro. No corte la tubería plástica para instalar el filtro.



Retire la cubierta del acceso.

Retire la tapa flexible de plástico de la válvula del agua (conexión del refrigerador).

Coloque la tuerca de compresión y la férula (manga) en el extremo de la tubería como se muestra. En el kit de tubería para el refrigerador SmartConnect™ de GE, las tuercas ya vienen armadas con la tubería.



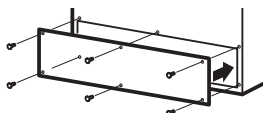
Inserte el extremo de la tubería en la conexión de la válvula del agua lo más que se pueda. Mientras sostiene la tubería, apriete el accesorio.

Para tubería de plástico de un kit de tubería para el refrigerador SmartConnect™ de GE, inserte el extremo moldeado de la tubería en la válvula de cierre y apriete la tuerca de compresión hasta que esté firmemente apretada a mano, luego apriete otra vuelta con una llave. Apretar demasiado puede causar fugas.

Una la tubería a la abrazadera provista para sostenerla en una posición vertical. Quizás necesite apalancar la abrazadera.



Reemplace la cubierta de acceso.



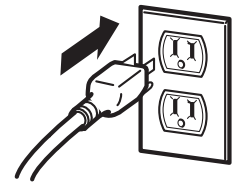
9 ABRA LA LLAVE DEL AGUA EN LA VÁLVULA DE CIERRE

Apriete cualquier conexión que pueda presentar fugas.

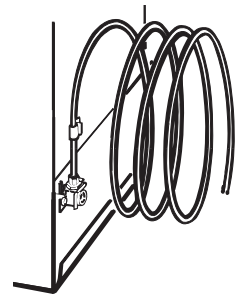


10 CÓMO INSTALAR EL REFRIGERADOR

Enchufe el refrigerador.



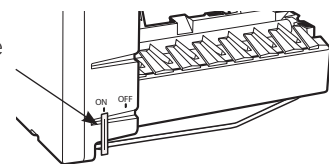
Organice el cable de la tubería de manera que no vibre contra la parte trasera del refrigerador o contra la pared. Empuje el refrigerador hacia la pared.



11 INICIE LA MÁQUINA DE HIELO

Mueva el brazo de llenado a la posición **ON** (hacia abajo). La máquina de hielos no empezará a operar hasta que alcance su temperatura de operación de 15°F (-9°C) o menor. Luego, empezará a operar automáticamente.

Interruptor de encendido



Modelo de conmutador de alimentación

Instrucciones para la instalación

2 CÓMO INVERTIR EL VAIVÉN DE LA PUERTA

NOTAS IMPORTANTES

Al invertir el vaivén de la puerta:

- Lea las instrucciones completamente antes de empezar.
- Maneje las partes con cuidado para evitar raspar la pintura.
- Ajuste los tornillos con sus partes relacionadas, a fin de evitar su pérdida.
- Disponga de una superficie de trabajo que no se raspe para las puertas.

IMPORTANTE: Una vez que empiece, no mueva el gabinete hasta que haya completado el proceso de invertir el vaivén de la puerta.

Estas instrucciones son para cambiar las bisagras del lado derecho al izquierdo, si alguna vez desea cambiar las bisagras al lado derecho nuevamente, siga las mismas instrucciones e invierta toda las referencias hacia la izquierda y derecha.ght.

⚠ PRECAUCIÓN Riesgo al Levantar

La Puerta de Comidas Frescas y las puertas del Freezer son pesadas. Use ambas manos para asegurar las puertas antes de levantarlas.

HERRAMIENTAS REQUERIDAS



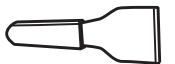
Destornillador de estrella



Cinta de enmascarar



Destornillador de casquillo de cabeza hexagonal de 3/8"



Cuchillo para masilla (espátula) o destornillador delgado



Llave abierta de 7/16"



Llave Allen (Modelos con Manija de Acero Inoxidable)

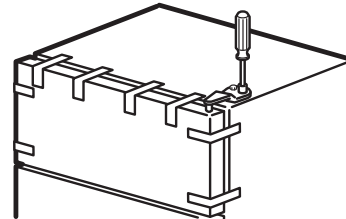
1 ANTES DE INICIAR

- 1.1 Desconecte el refrigerador del tomacorriente eléctrico.
- 1.2 Desocupe todos los estantes de la puerta, incluyendo el compartimiento de lácteos.

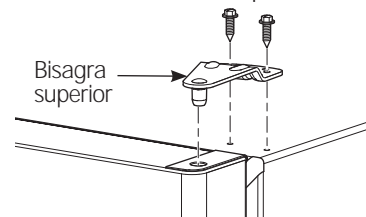
PRECAUCIÓN: No permita que ninguna puerta se caiga al piso, ya que esto podría dañar el freno de la puerta.

2 RETIRE LA PUERTA DEL CONGELADOR

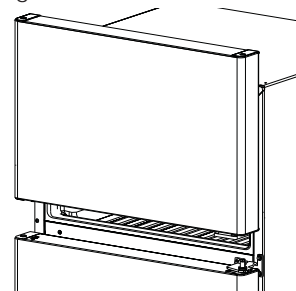
- 2.1 Pegue la puerta cerrada con cinta de enmascarar.
- 2.2 Retire los tornillos que sostienen la bisagra superior del gabinete.



- 2.3 Levante la bisagra directamente hacia arriba para liberar el pasador de la bisagra del casquillo en la parte superior de la puerta y colóquela a un lado, junto con los tornillos correspondientes.



- 2.4 Retire la cinta. Levante la puerta desde el perno de la bisagra central.



- 2.5 Coloque la puerta sobre una superficie que no raye con la parte exterior hacia arriba.

- 2.6 Transfiera los 2 tornillos desde el lado opuesto del gabinete a los agujeros de los tornillos que están vacíos por el retiro de la bisagra superior.

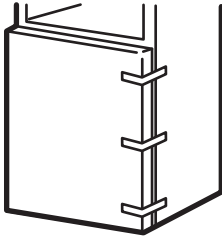


Instrucciones para la instalación

2 CÓMO INVERTIR EL VAIVÉN DE LA PUERTA (CONT.)

3 RETIRE LA PUERTA DE ALIMENTOS FRESCOS

3.1 Coloque cinta de mascarar en el cierre de la puerta..



3.2 Desenrosque el perno de la bisagra central y retire el mismo de su ficha. Tenga cuidado de no perder la bisagra central ni la arandela.



3.3 Retire la cinta e incline la puerta hacia fuera del gabinete. Levante la puerta del pasador en el soporte de la bisagra inferior. (Si la arandela plástica se pega al fondo de la puerta, colóquela de nuevo en la bisagra.)



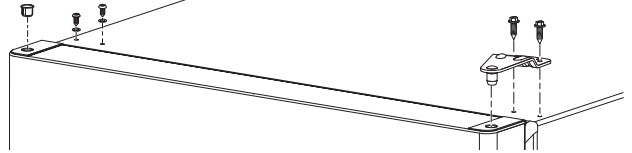
3.4 Coloque la puerta con el exterior hacia arriba en una superficie que no raye..

4 CÓMO INVERTIR LOS ELEMENTOS DE SOPORTES

4.1 Intercambie la bisagra y los tornillos en la parte superior derecha con tornillos en la parte superior izquierda del gabinete. No ajuste los tornillos del lado de la bisagra.

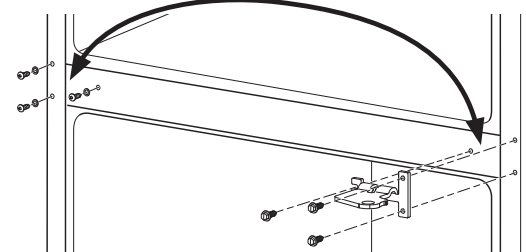
NOTA: Algunas bisagra cuentan con 4 agujeros. Qué agujeros usará para la instalación dependerá de lado del cual instale la bisagra.

Para una instalación correcta, el extremo externo de la bisagra deberá ser paralelo al extremo del cuerpo.



4.2 Retire los tres tornillos, asegurando la bisagra central al gabinete.

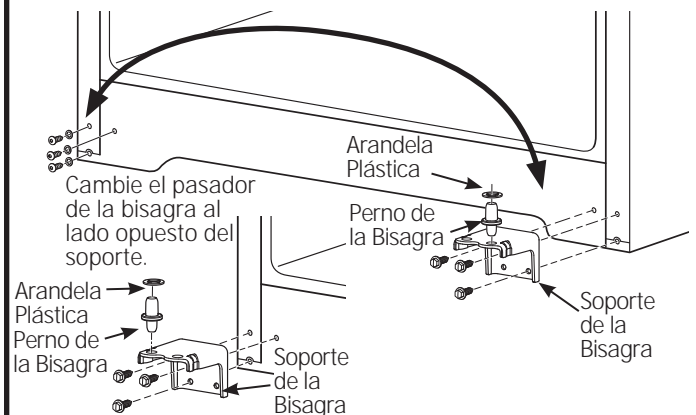
4.3 Transfiera los tres tornillos desde el lado opuesto del gabinete a los agujeros del tornillo que está vacío por el retiro de la bisagra central.



4.4 Vuelva a adherir la bisagra central con los tres tornillos del lado izquierdo del gabinete. **NOTE:** La bisagra central debe ser girada como se muestra, al ser montada del lado izquierdo.



4.5 Retire los tornillos, sosteniendo la bisagra central al gabinete. Mueva la bisagra inferior de la derecha al lado izquierdo del gabinete. Cambie el perno de la bisagra al lado opuesto de la bisagra y reinserte los tornillos.

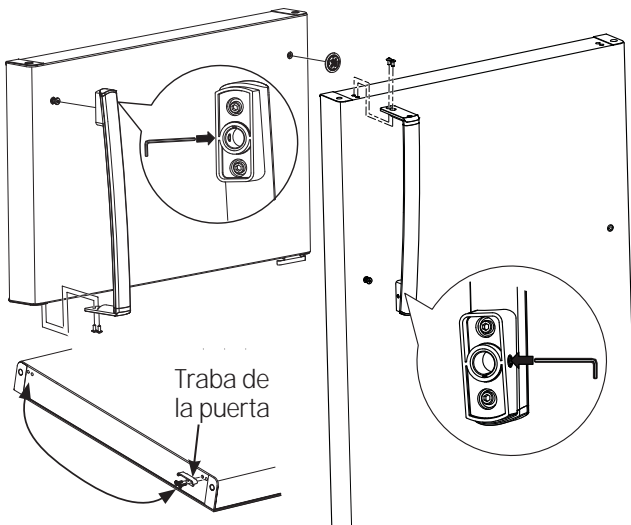


Installation Instructions

5 CÓMO INVERTIR LAS MANIJAS DE LAS PERTAS

MANIJA DE ACERO INOXIDABLE

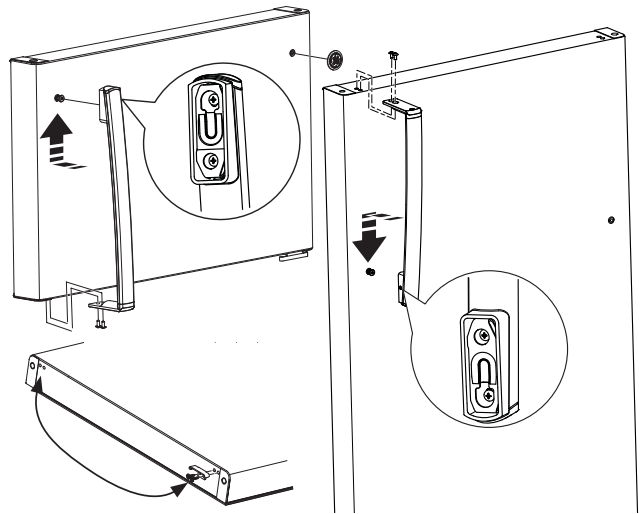
- 5.1a. Retire los tornillos de la manija de la parte superior de la puerta de comidas frescas. Retire los tornillos de la manija de la parte inferior de la puerta del freezer.
- 5.2a. Afloje el tornillo de la manija con la llave de 1/8" provista.
- 5.3a. Retire la manija de la puerta.
- 5.4a. Intercambie los lugares entre el ajuste de la manija y el botón de corriente en el frente de la puerta. .
- 5.5a. Mueva los botones de corriente en la parte superior y en el frente de la puerta para llenar los agujeros ahora vacíos.
- 5.6a. Transfiera la traba de la puerta en la parte inferior de la puerta.
- 5.7a. Adhiera la manija a la puerta de comidas frescas con tornillos en la parte superior de la manija. Use una llave Allen de 1/8" para ajustar el tornillo específico en la parte inferior de la manija.
- 5.8a. Adhiera la manija a la puerta del freezer con tornillos al final de la manija. Use la llave Allen de 1/8 provista" para ajustar el tornillo específico en la parte superior de la manija.
- 5.9a. Adhiera la insignia en la puerta del freezer en la posición opuesta a la manija.



5 CÓMO INVERTIR LAS MANIJAS DE LAS PERTAS (CONT.)

ENSAMBLE DE LA MANIJA PLÁSTICA

- 5.1b. Retire los tornillos de la manija de la parte superior de la puerta de comidas frescas. Retire los tornillos de la manija de la parte inferior de la puerta del freezer.
- 5.2b. Retire la manija en la puerta de comidas frescas, deslizando la manija hacia arriba y afuera del ajuste. Retire la manija en la puerta del freezer, deslizando la manija hacia abajo y afuera del ajuste.
- 5.3b. Intercambie los lugares entre el ajuste de la manija y el botón de corriente en el frente de la puerta.
- 5.4b. Mueva los botones de corriente en la parte superior y en el frente de la puerta para llenar los agujeros ahora vacíos.
- 5.5b. Transfiera la traba de la puerta en la parte inferior de la puerta.
- 5.6b. Adhiera la manija a la puerta de comidas frescas, deslizando la misma hacia abajo en el ajuste y con tornillos en la parte superior de la manija.
- 5.7b. Adhiera la manija a la puerta del freezer, deslizando la manija hacia arriba sobre el ajuste y con los tornillos en la parte inferior de la manija.
- 5.8b. Adhiera la insignia en la puerta del freezer en la posición opuesta a la manija.



Instrucciones para la instalación

2 CÓMO INVERTIR EL VAIVÉN DE LA PUERTA (CONT.)

6 CÓMO VOLVER A COLGAR LAS PUERTAS

6.1 Vuelva a colgar la puerta de los alimentos frescos

6.1.1 Baje la puerta de alimentos frescos al perno de la bisagra inferior. Asegúrese de que la arandela esté correctamente colocada en el perno.



6.1.2 Incline la puerta hacia el gabinete. A medida que la puerta se coloca en su posición, Alinee la ficha en la puerta con el agujero en la bisagra central. Coloque el perno de la bisagra central en el agujero de la bisagra central y ajuste la misma con una llave de boca de 3/8". Asegúrese de que la arandela esté en la parte superior del perno de la bisagra.



6 CÓMO VOLVER A COLGAR LAS PUERTAS (CONT.)

6.2 Vuelva a colgar la puerta del congelador

6.2.1 Baje la puerta del congelador al pasador de la bisagra central. Asegúrese de que la arandela esté correctamente colocada en el perno.



6.2.2 Incline la puerta hacia el gabinete, levantando la bisagra superior de modo que el perno calce en la ficha sobre la parte superior de la puerta.

6.2.3 Asegúrese de que la puerta esté apenas sobre la parte superior del gabinete y que la brecha entre las puertas sea pareja a lo largo del frente. Asegure los tornillos de la bisagra superior. No ajuste estos tornillos en exceso. Presione los mismos hasta que queden ajustados, y luego dé medio giro adicional.



El sonido de los refrigeradores nuevos es diferente al de aquellos más antiguos. Los refrigeradores modernos cuentan con más funciones y utilizan una tecnología más nueva.

¿Escuchas lo que yo escucho? Estos sonidos son normales.

HUMMM... WHOOSH...

- Es posible que el nuevo compresor de alta efectividad funcione más rápido y por más tiempo que aquel de su refrigerador antiguo, y es posible que escuche un zumbido o sonido de pulsación en un tono alto mientras está funcionando.
- Es posible que escuche gorgoteos al cerrar la puerta. Esto se debe al equilibrio de la presión dentro del refrigerador.



- Es posible que escuche los ventiladores girar en altas velocidades. Esto sucede cuando el refrigerador se enchufa por primera vez, cuando las puertas se abren con frecuencia o cuando una gran cantidad de comida es agregada a los compartimientos del refrigerador o del freezer. Los ventiladores están ayudando a mantener las temperaturas correctas.

CHASQUIDOS, ESTALLIDOS, CRUJIDO, GORJEOS

- Puede escuchar sonidos como de crujido o estallidos cuando el refrigerador se conecta por primera vez. Esto pasa a medida que el refrigerador se enfría hasta la temperatura correcta.
- El compresor puede causar un chasquido o un gorjeo cuando intenta volver a arrancar (esto puede tomar hasta 5 minutos).
- Expansión y contracción de las bobinas durante o después del ciclo de descongelación puede causar sonidos como de crujido o estallidos.
- En modelos con máquina de hielos, después de completar un ciclo de hacer hielo, se pueden escuchar los cubos de hielo cuando caen a la bandeja de hielos.

SONIDOS DE AGUA

- El fluido del refrigerante a través de las bobinas puede producir un sonido de borboteo como de agua hirviendo.
- El agua que cae en el calentador de descongelación puede causar un chisporroteo, estallido o zumbido durante el ciclo de descongelación.
- Un ruido de agua cayendo se puede escuchar durante el ciclo de descongelación a medida que el hielo se derrite del evaporador y fluye hacia la bandeja de drenaje.
- El cierre de las puertas puede producir un sonido de gorgoteo debido a la estabilización de la presión.

Servicio Técnico.

Antes de solicitar el servicio técnico, revise los consejos para la solución de problemas de forma detallada en el Manual del Propietario. En caso de ser necesario, se podrá programar el servicio técnico visitándonos a través de Internet en GEAppliances.com o llamando al 800.ge.CARES 800.432.2737.

Verdad o Mito

¿Verdad o Mito?	Respuesta	Explicación
La máquina de hielos automática de mi refrigerador producirá hielo cuando el refrigerador se encuentre enchufado a un receptáculo de corriente.	MITO	El refrigerador debe estar conectado al agua, y la máquina de hacer hielo debe estar encendida. Asegúrese de que la máquina de hielos esté encendida, sólo después de que se haya realizado la conexión a la cañería de agua y que el agua esté abierta. La máquina de hielos se podrá apagar presionando el interruptor en la posición OFF (Apagado). El freezer debe estar a 15 grados o menos para que la máquina de hielos produzca hielo. Espere por lo menos 24 horas hasta que el refrigerador esté preparado y a que la temperatura de la unidad se establezca.
Nunca verá escarcha dentro del compartimiento del freezer.	MITO	La escarcha dentro del freezer típicamente indica que la puerta no está correctamente sellada, o se dejó abierta. Si se encuentra escarcha, despeje la misma utilizando una espátula de plástico y una toalla, luego asegúrese de que no haya paquetes ni envases de comida que impidan que la puerta del freezer se cierre. Para ayudar a reducir la producción de escarcha, asegúrese de que haya suficiente espacio para el suministro de aire y que las ventilaciones del freezer mejoren la circulación. Siempre cubra la comida antes de colocarla en el refrigerador, ya que la humedad de envases abiertos puede contribuir a la carga de escarcha.
Las manijas de la puerta del refrigerador se pueden ajustar fácilmente.	VERDADERO	Si las manijas de la puerta están flojas o tienen una separación con la puerta, se deberán ajustar sobre los tornillos ubicados en los extremos de las manijas.
Luego de activar la máquina de hielos, descarte la producción de hielo de las primeras 24 horas.	VERDADERO	Para evitar problemas de olor y gusto, la primera producción de hielo deberá ser descartada.
Siempre se requiere el retiro de la puerta para la instalación.	MITO	Las puertas sólo se deben retirar cuando sea necesario para evitar daños en el pasillo o en el acceso hasta la ubicación final. Si las puertas son retiradas, revise la sección de Inversión de la Puerta Giratoria para proceder a colocarla nuevamente.
Hay un ajuste sobre las ruedas traseras.	MITO	Las patas niveladoras frontales son ajustables y se deberían usar para equilibrar el refrigerador. Las patas niveladoras se usan para hacer el ajuste inicial de la puerta de alimentos frescos. Debería haber aproximadamente ¼" de caída desde el frente hasta la parte trasera, a fin de asegurar que las puertas siempre se cierren.
Se puede usar cualquier limpiador multiuso para limpiar el refrigerador.	MITO	Los limpiadores multiuso no son recomendables para refrigeradores. No use cera, pulidores, amoníaco, blanqueadores u otros productos que contengan cloro sobre ninguna superficie. Limpie con una tela humedecida con agua y jabón. Seque con una tela seca. Las puertas de acero inoxidable se pueden limpiar con un limpiador de acero inoxidable disponible comercialmente. Los limpiadores con ácido oxálico tales como Bar Keepers Friend Soft Cleanser™ eliminarán el óxido, deslustres y pequeñas manchas. Use sólo un limpiador líquido libre de material abrasivo y frote en la dirección de las líneas del cepillo con una esponja suave y húmeda. No use cera para electrodomésticos ni pula sobre el acero inoxidable.
Las juntas durarán más con una limpieza y mantenimiento regular.	VERDADERO	Limpie las juntas con agua caliente y jabón. Asegúrese de que todos los pliegues estén limpios y secos luego de la limpieza. Asegúrese de que los rebordes estén limpios de cualquier arenilla o suciedad. Luego de limpiar las juntas de la puerta, aplique cera de parafina o de vaselina a las juntas de la puerta y bisagras del lado de las bisagras. Esto ayuda a evitar que las juntas se peguen o pierdan su forma debido a una inclinación.
La puerta podrá ser enviada con una película protectora, la cual deberá ser retirada antes del uso.	VERDADERO	Las puertas con acabado delicado (acero inoxidable, pizarra, negro brillante y blanco brillante, o metálico plateado) tendrán una película plástica clara en la puerta, la cual deberá ser retirada luego de la instalación.
¿Tiene más preguntas? Para más información sobre su refrigerador u otros electrodomésticos de GE, visítenos en www.geappliances.com/videos		

Garantía del refrigerador.



Todos los servicios de garantía los proporcionan nuestros Centros de Reparación de Fábrica o nuestros técnicos Customer Care® autorizados. Para concertar una cita de reparación, en línea, 24 horas al día, visite nos al GEAppliances.com, o llame al 800.GE.CARES (800.432.2737). Cuando llame para solicitar servicio, por favor tenga a mano el número de serie y el número de modelo.

Grape aquí su recibo. Se requiere facilitar prueba de la fecha de compra original para obtener un servicio bajo la garantía.

Para realizar el servicio técnico de su refrigerador se podrá requerir el uso de datos del puerto de abordaje para su diagnóstico. Esto da al técnico del Servicio de Fábrica de GE la habilidad de diagnosticar de forma rápida cualquier problema con su electrodoméstico, y de ayudar a GE a mejorar sus productos al brindarle a GE la información sobre su electrodoméstico. Si no desea que los datos de su electrodoméstico sean enviados a GE, solicitamos que le indique a su técnico NO entregar los datos a GE en el momento del servicio.

Por el período de:	GE reemplazará:
Un año A partir de la fecha de la compra original	Cualquier parte del refrigerador que falle debido a defectos en los materiales o en la fabricación. Durante esta garantía limitada de un año , GE también proporcionará, sin costo alguno , toda la mano de obra y el servicio relacionado para reemplazar partes defectuosas.

Lo que GE no cubrirá:

- Viajes de servicio a su hogar para enseñarle cómo usar el producto.
- Instalación o entrega inapropiada, o mantenimiento impropio.
- Fallas del producto si hay abuso, mal uso, o uso para otros propósitos que los propuestos, o uso para fines comerciales.
- Pérdida de alimentos por averías.
- Reemplazo de fusibles de su hogar o reajuste de interruptores de circuito.
- Cualquier daño luego de la entrega.
- Reemplazo del cartucho del filtro de agua, si incluido, debido a presión de agua afuera de los límites de operación especificados o sedimento excesivo en el suministro de agua.
- Reemplazo de las bombillas, si incluidas, o del cartucho de filtro de agua, si incluido, diferente a como se especifica anteriormente.
- Daño al producto causado por accidente, fuego, inundaciones o actos de Dios.
- Incidental or consequential damage caused by possible defects with this appliance.
- Producto no accesible para facilitar el servicio requerido.
- Los daños causados por un filtro de agua Marca no GE.
- Cualquier daño sobre la terminación deberá ser informado dentro de las 48 horas luego de la entrega del electrodoméstico.
- Productos que no presenten defectos ni estén rotos, o que estén funcionando de acuerdo con lo descrito en el Manual del Propietario

EXCLUSIÓN DE GARANTÍAS IMPLÍCITAS—Su único y exclusivo derecho es la reparación del producto, tal y como se indica en esta Garantía limitada. Cualquier garantía implícita, incluyendo las garantías implícitas de comerciabilidad o adecuación para un fin determinado, están limitadas a un año o el período de tiempo más breve permitido por la ley.

Para los clientes de EE.UU. Esta garantía se extiende al comprador original y a cualquier dueño subsiguiente de productos comprados para uso hogareño dentro de EE.UU. Si el producto está en un área donde no se encuentra disponible un Proveedor Autorizado del Servicio Técnico de GE, usted será responsable por el costo de un viaje o se podrá requerir que traiga el producto a una ubicación del Servicio Técnico de GE Autorizado para recibir el servicio. En Alaska, la garantía excluye el costo de envío o llamadas del servicio a su hogar.

Algunos estados no permiten la exclusión o limitación de daños fortuitos o consecuentes. Esta garantía le da derechos legales específicos y es posible que tenga otros derechos legales que varían entre un estado y otro. Para conocer cuáles son sus derechos legales, consulte a la oficina de asuntos del consumidor local o estatal o al Fiscal de su estado.

Garante: General Electric Company. Louisville, KY 40225

Para los clientes de Canadá : Esta garantía se extiende al comprador original y cualquier comprador posterior de productos comprados en Canadá para uso residencial dentro de Canadá. El servicio a domicilio warrant será proporcionado en las áreas donde está disponible y que se considere razonable por Mabe para ofrecer.

Mabe Canada Inc., Burlington, ON, L7R 5B6



Página Web de GE Appliances

GEAppliances.com

¿Tiene alguna pregunta sobre su electrodoméstico? ¡Pruebe la página Web de GE Appliances 24 horas al día, cualquier día del año! Para mayor conveniencia y servicio más rápido, ya puede descargar los Manuales de los Propietarios, pedir piezas o incluso hacer una cita en línea para que vengan a realizar una reparación.



Solicite una reparación

GEAppliances.com

El servicio de expertos GE está a tan sólo un paso de su puerta. ¡Entre en línea y solicite su reparación cuando le venga bien 24 horas al día cualquier día del año! O llame al 800.GE.CARES (800.432.2737) durante horas normales de oficina.



Real Life Design Studio (Estudio de diseño para la vida real)

GEAppliances.com

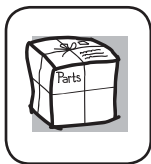
GE apoya el concepto de Diseño Universal—productos, servicios y ambientes que pueden usar gente de todas las edades, tamaños y capacidades. Reconocemos la necesidad de diseñar para una gran gama de habilidades y dificultades físicas y mentales. Para más detalles sobre las aplicaciones de GE Diseño Universal, incluyendo ideas de diseño para la cocina para personas con discapacidades, mire nuestra página Web hoy mismo. Para personas con dificultades auditivas, favor de llamar al 800.TDD.GEAC (800.833.4322).



Garantías ampliadas

GEAppliances.com

Compre una garantía ampliada y obtenga detalles sobre descuentos especiales disponibles mientras su garantía está aún activa. Puede comprarla en línea en cualquier momento, o llamar al (1.888.261.2133) durante horas normales de oficina. GE Consumer Home Services estará aún ahí cuando su garantía termine.



Piezas y accesorios

GEAppliances.com

Aquellos individuos con la calificación necesaria para reparar sus propios electrodomésticos pueden pedir que se les manden las piezas o accesorios directamente a sus hogares (aceptamos las tarjetas VISA, MasterCard y Discover). Haga su pedido en línea hoy, 24 horas cada día o llamar por teléfono al 1.800.661.1616 durante horas normales de oficina.

Las instrucciones descritas en este manual cubren los procedimientos a seguir por cualquier usuario. Cualquier otra reparación debería, por regla general, referirse a personal calificado autorizado. Debe ejercerse precaución ya que las reparaciones incorrectas pueden causar condiciones de funcionamiento inseguras.



Póngase en contacto con nosotros

GEAppliances.com

Si no está satisfecho con el servicio que recibe de GE, póngase en contacto con nosotros en nuestra página Web indicando todos los detalles así como su número de teléfono o escribanos a:

General Manager, Customer Relations
GE Appliances, Appliance Park
Louisville, KY 40225



Registre su electrodoméstico

GEAppliances.com

¡Registre su nuevo electrodoméstico en línea—cuando usted prefiera! El registrar su producto a tiempo le proporcionará, si surgiera la necesidad, una mejor comunicación y un servicio más rápido bajo los términos de su garantía. También puede enviar su tarjeta de registro pre-impresa que se incluye en el material de embalaje.

Consumer Support.



GE Appliances Website

In the U.S.: *GEAppliances.com*

Have a question or need assistance with your appliance? Try the GE Appliances website, 24 hours a day, any day of the year! For greater convenience and faster service, you can now download Owner's Manuals, order parts or even schedule service on-line. In Canada: www.GEAppliances.ca



Schedule Service

In the U.S.: *GEAppliances.com*

Expert GE repair service is only one step away from your door. Get on-line and schedule your service at your convenience any day of the year! Or call 800.GE.CARES (800.432.2737) during normal business hours.

In Canada, call 1.800.561.3344



Real Life Design Studio

In the U.S.: *GEAppliances.com*

GE supports the Universal Design concept—products, services and environments that can be used by people of all ages, sizes and capabilities. We recognize the need to design for a wide range of physical and mental abilities and impairments. For details of GE's Universal Design applications, including kitchen design ideas for people with disabilities, check out our Website today. For the hearing impaired, please call 800.TDD.GEAC (800.833.4322).

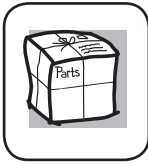
In Canada, contact: Manager, Consumer Relations, Mabe Canada Inc.
Suite 310, 1 Factory Lane
Moncton, N.B. E1C 9M3



Extended Warranties

In the U.S.: *GEAppliances.com*

Purchase a GE extended warranty and learn about special discounts that are available while your warranty is still in effect. You can purchase it on-line anytime, or call 800.626.2224 during normal business hours. GE Consumer Home Services will still be there after your warranty expires. In Canada, call 1.888.261.2133



Parts and Accessories

In the U.S.: *GEApplianceParts.com*

Individuals qualified to service their own appliances can have parts or accessories sent directly to their homes (VISA, MasterCard and Discover cards are accepted). Order on-line today, 24 hours every day or by phone at 800.626.2002 during normal business hours.

Instructions contained in this manual cover procedures to be performed by any user. Other servicing generally should be referred to qualified service personnel. Caution must be exercised, since improper servicing may cause unsafe operation.

Customers in Canada should consult the yellow pages for the nearest Mabe service center, or call 1.800.661.1616.



Contact Us

In the U.S.: *GEAppliances.com*

If you are not satisfied with the service you receive from GE, contact us on our Website with all the details including your phone number, or write to:

General Manager, Customer Relations
GE Appliances, Appliance Park
Louisville, KY 40225

In Canada: www.GEAppliances.ca, or write to:

Director, Consumer Relations, Mabe Canada Inc.
Suite 310, 1 Factory Lane
Moncton, N.B. E1C 9M3



Register Your Appliance

In the U.S.: *GEAppliances.com*

Register your new appliance on-line—at your convenience! Timely product registration will allow for enhanced communication and prompt service under the terms of your warranty, should the need arise. You may also mail in the pre-printed registration card included in the packing material. In Canada: www.GEAppliances.ca