

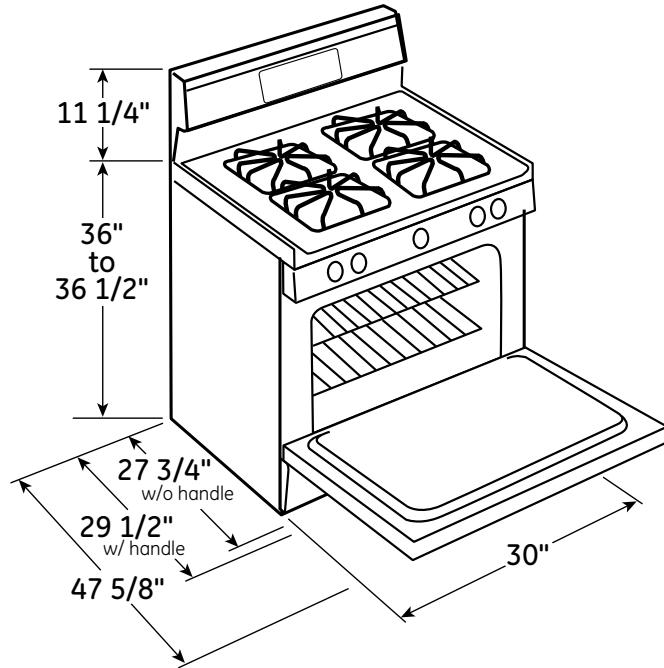
JGB770SEF

GE® 30" Free-Standing Gas Convection Range

Dimensions and Installation Information (in inches)

Electrical Rating: 120V, 60Hz, 15A

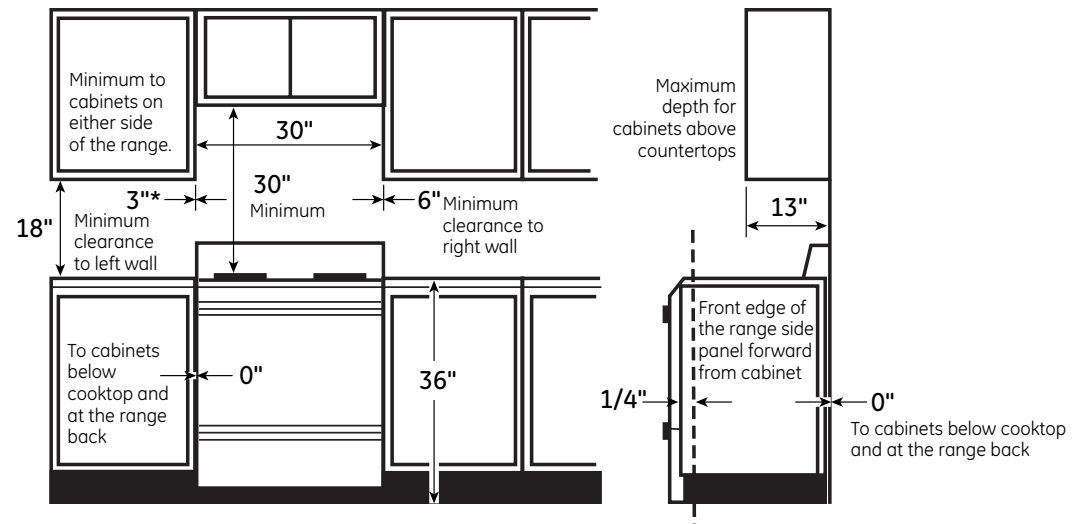
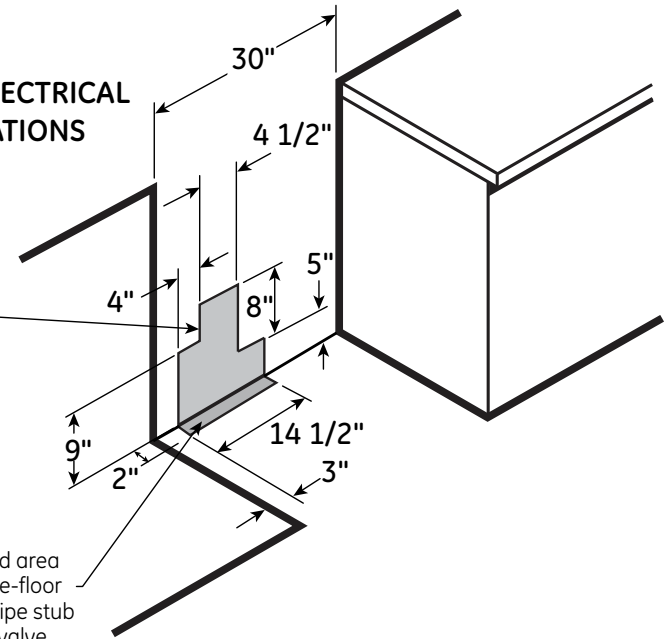
Installation Information: Before installing, consult



GAS PIPE AND ELECTRICAL OUTLET LOCATIONS

Recommended area for 120V outlet on rear wall and area for through-the-wall connection of pipe stub and shut-off valve.

Recommended area for through-the-floor connection of pipe stub and shut-off valve.



imagination at work

For answers to your Monogram® or GE® appliance questions, visit our website at geappliances.com or call GE Answer Center® service, 800.626.2000.



All GE ranges are equipped with an Anti-Tip device. The installation of this device is an important, required step in the installation of the range.



Specification Revised 10/13

330423

JGB770SEF

GE® 30" Free-Standing Gas Convection Range

Features and Benefits

- 17,000 BTU Power Boil Burner - Delivers intense heat for fast boiling
- Center Oval Burner - Large oval fifth burner is ideal for griddle or odd-size cookware
- Precise Simmer Burner - Delicate foods don't burn with low, even heat
- Stainless Steel, Deep-Recessed Cooktop - Contains spills for quick and easy cleaning
- Reversible Cast-Iron Griddle/Grill - Two great ways to cook
- Gas Convection Oven - Circulates heat for high-quality results
- Self-Clean Heavy-Duty Oven Racks - Conveniently clean your oven and racks together
- Self-Clean with Steam Clean Option - Clean your oven the way you want
- Heavy-Cast, Continuous Grates - Allow for easy movement of pans between burners
- 5.6 cu. ft. Oven Capacity - Enough room to cook an entire meal at once
- Black Gloss Oven Interior - Enjoy a clean and sleek appearance
- Model JGB770SEFSS - Stainless steel



imagination at work