



Home Comfort

FFRA1211Q1

Compact Air Conditioner



Product Dimensions

Height	14-1/2"
Width	19"
Depth	21-1/2"

More Easy-To-Use Features

Effortless™ Restart

Automatically resumes operating at its previous settings when power is restored to your unit.

Performance	BTUs
Cool	12,000

Signature Features

Multi-Speed Fan

Features three different fan speeds, for more cooling flexibility.

Effortless™ Clean Filter

Our antibacterial filter reduces bacteria, room odors and other airborne particles for a healthier, more comfortable environment.

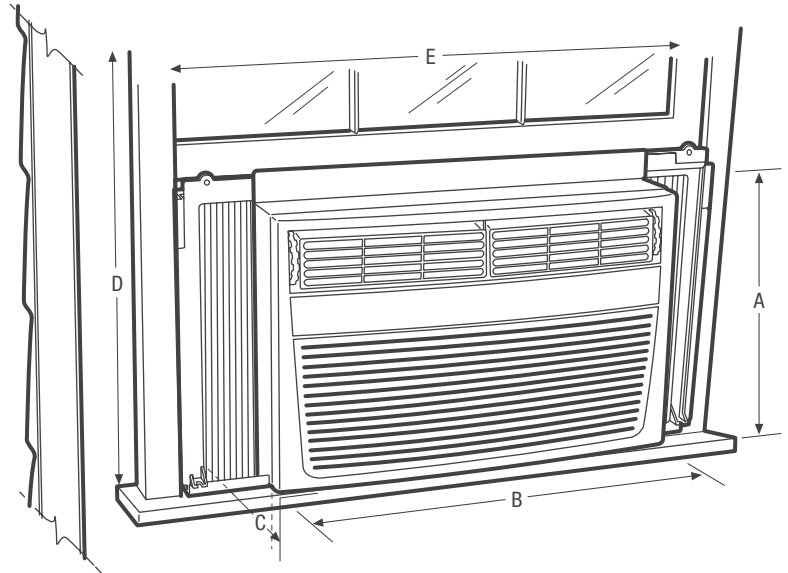
SpaceWise® Adjustable Side Panels

With the Adjustable Side Panels, the side panels will extend to best fit your window.

Power Cord

Comes with an extra long three-prong cord — makes extension cords unnecessary.

Performance	
BTU (Cool)	12,000
Dehumidification (Pints/Hour)	3.8
Cool Area (Up To Sq. Ft.)	550
Energy Efficiency Ratio	9.8
Electrical	
Volts	115
Amps (Cool)	11.0
Watts (Cool)	1,220
Length of Power Cord (Min./Max.)	6' / 6.5'
Plug Type (NEMA)	LCDI (5-15P)
Features	
Electronic Controls	Mechanical
Fan Speeds (Cool / Fan)	3 / 3
Low Voltage Start-Up	Yes
Auto Cool Function	
Energy Saver Mode	
Sleep Mode	
Filter Check	
24-Hour On / Off Timer	
Clean Air Ionizer	
Remote Control	
Air CFM (High / Med / Low)	264 / 242 / 202
Air Direction Control	8-Way
Fresh Air / Exhaust Vent / Closed	Yes / Yes / Yes
Filter Type	Antibacterial Mesh
Filter Access	Tilt-Out
Slide-Out Chassis	
Window Mounting Kit (Included)	Pleated Quick Mount
Warranty ¹	Yes
Certifications	
Performance	AHAM
Specifications	
Refrigerant	R410a
Shipping Weight (Approx.)	74 Lbs.



¹Warranty 5 year sealed system/1 year full parts and labor.



Plug Type (NEMA)
5-15P

NOTE: For planning purposes only. Always consult local and national electric codes. Refer to Product Installation Guide for detailed installation instructions on the web at frigidaire.com.



Product Dimensions	
A - Height	14-1/2"
B - Width	19"
C - Depth	21-1/2"

Window Dimensions	
D - Height (Min.)	15-1/2"
E - Width (Min./Max.)	23" / 36"

Accessories information available on the web at frigidaire.com

FRIGIDAIRE

USA • 10200 David Taylor Drive • Charlotte, NC 28262 • 1-800-FRIGIDAIRE • frigidaire.com
 CANADA • 5855 Terry Fox Way • Mississauga, ON L5V 3E4 • 1-800-265-8352 • frigidaire.ca

FFRA1211Q1 01/14

© 2014 Electrolux Home Products, Inc.

Specifications subject to change.