

FRIGIDAIRE

GALLERY.



Freestanding Ranges

FGGF3032M F/W/B

30" Gas



Product Dimensions

Height (Max.)	47-3/4"
Width	29-7/8"
Depth (Including Handle)	28-13/32"

More Easy-To-Use Features

Quick Bake Convection

Bake faster and more evenly with Quick Bake Convection.

Low Simmer Burner

Perfect for delicate foods and sauces.

Continuous Grates

Continuous Grates make it easy to move heavy pots and pans between burners without lifting.

Even Baking Technology

Our latest technology ensures even baking every time.

Auto Oven Shut Off

As an extra safety measure, the oven will automatically shut off after 12 hours.

One-Touch Self Clean

Start the self-cleaning cycle with just the touch of a button.

Quick Clean

For a quick, light oven cleaning.

Delay Start

Set your oven to begin cooking on your schedule. It can be programmed from one to 24 hours.

Available in:

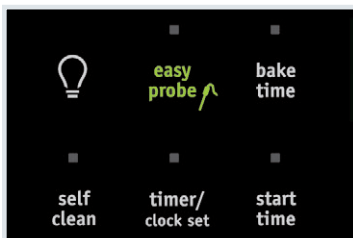


Stainless (F) White (W) Black (B)

Burners	BTU
Right Front	17,000
Right Rear	5,000
Left Front	9,500
Left Rear	14,000
Center Extra Zone	9,500

¹Select model only.

Signature Features



Easy™ Temperature Probe

Use this easy temperature probe to instantly get the internal cooking temperature with just the touch of a button for better cooking results.



Quick Boil

Boils water faster.



Express-Select® Controls

Easily go from warm to boil.

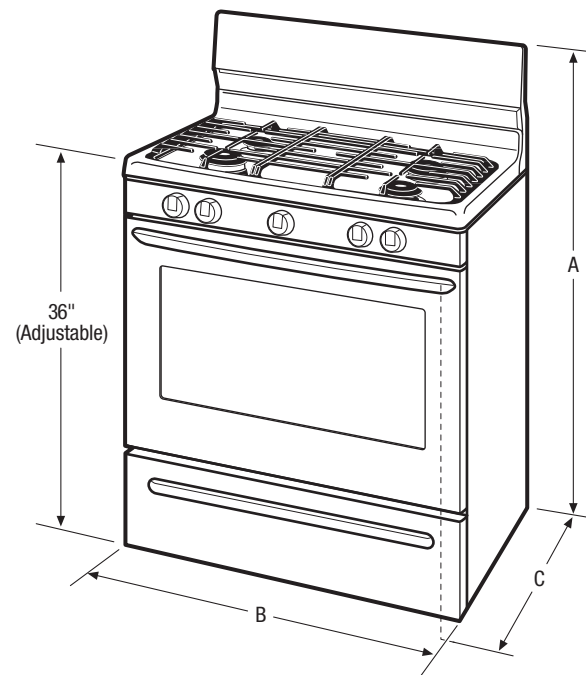


Smudge-Proof™ Stainless Steel¹

Real Stainless Steel with a protective coating reduces fingerprints and smudges so it's easy to clean.

Features	
Oven Control/Timing System	Express-Select® Controls
Surface Type	Black Porcelain (F), Color-Coordinated (W/B)
Sealed Gas Burners	Yes
Grates	Continuous Cast Iron w/Black Matte Finish
Window	Extra-Large
Exterior Door Finish	Smudge-Proof™ Stainless Steel (F), Color-Coord.(W/B)
Handle Design	Stainless Steel (F), Color-Coordinated (W/B)
Exterior Finish (Side Panels)	Black (F), Color-C. (W/B)
Convection System	Quick Bake Convection
Oven Cleaning System	Self Clean
Drawer Functionality	Storage
Oven Controls	
Bake/Broil	Yes/Low and High
Effortless™ Convection Conversion	
Convection Bake/Broil/Roast	
Quick Bake Convection	Yes
Quick Preheat	
My Favorite	
Easy™ Temperature Probe	Yes
Pizza Button	
Keep Warm	
Add-a-Minute	
Delay Start	Yes
Self Clean	Yes
Quick Clean Option	Yes
Delay Clean	2, 3 Hours
Kitchen Timer/ Timed Cook Option	Yes/Yes
Auto Oven Shut-Off	12 Hours
Oven Lockout	Yes
Lower Drawer Control	
Cooktop Features	
Right Front Burner (BTU)	17,000
Right Rear Burner (BTU)	5,000
Left Front Burner (BTU)	9,500
Left Rear Burner (BTU)	14,000
Center Extra Zone Burner (BTU)	9,500
Oven Features	
Capacity (Cu. Ft.)	5.0
Oven Light	1
Rack Configuration	1 Flat, 1 Offset
Baking System	Even Baking Technology
Broiling System	Vari-Broil™ Hi/Lo
Bake Burner/Broil Burner (BTU)	18,000/13,500
Drawer Racks	
Optional Accessories	
LP Gas Conversion Kit	PN # GRLP3
Specifications	
Oven Interior (H x W x D)	17-5/8" x 24-3/8" x 19-3/4"
Power Supply Connection Location	Left Bottom Rear
Gas Supply Connection Location	Right Bottom Rear
Voltage Rating	120V / 60Hz / 15A
Conn. Load (kW Rating) @ 120 Volts ¹	1.8
Amps @ 120 Volts	15
Shipping Weight (Approx.)	215 Lbs.

¹For use on adequately wired 120V, dedicated circuit having 2-wire service with a separate ground wire. Appliance must be grounded for safe operation.



NOTE: For planning purposes only. Always consult local and national electric and gas codes. Refer to Product Installation Guide for detailed installation instructions on the web at frigidaire.com.



Product Dimensions	
A - Height (Max.)	47-3/4"
B - Width	29-7/8"
C - Depth (Including Handle)	28-13/32"
Depth with Door Open 90°	46-5/8"

Cutout Dimensions	
Height (Standard)	36"
Width (Min.)	30"
Depth (Min.)	24"

Accessories information available on the web at frigidaire.com

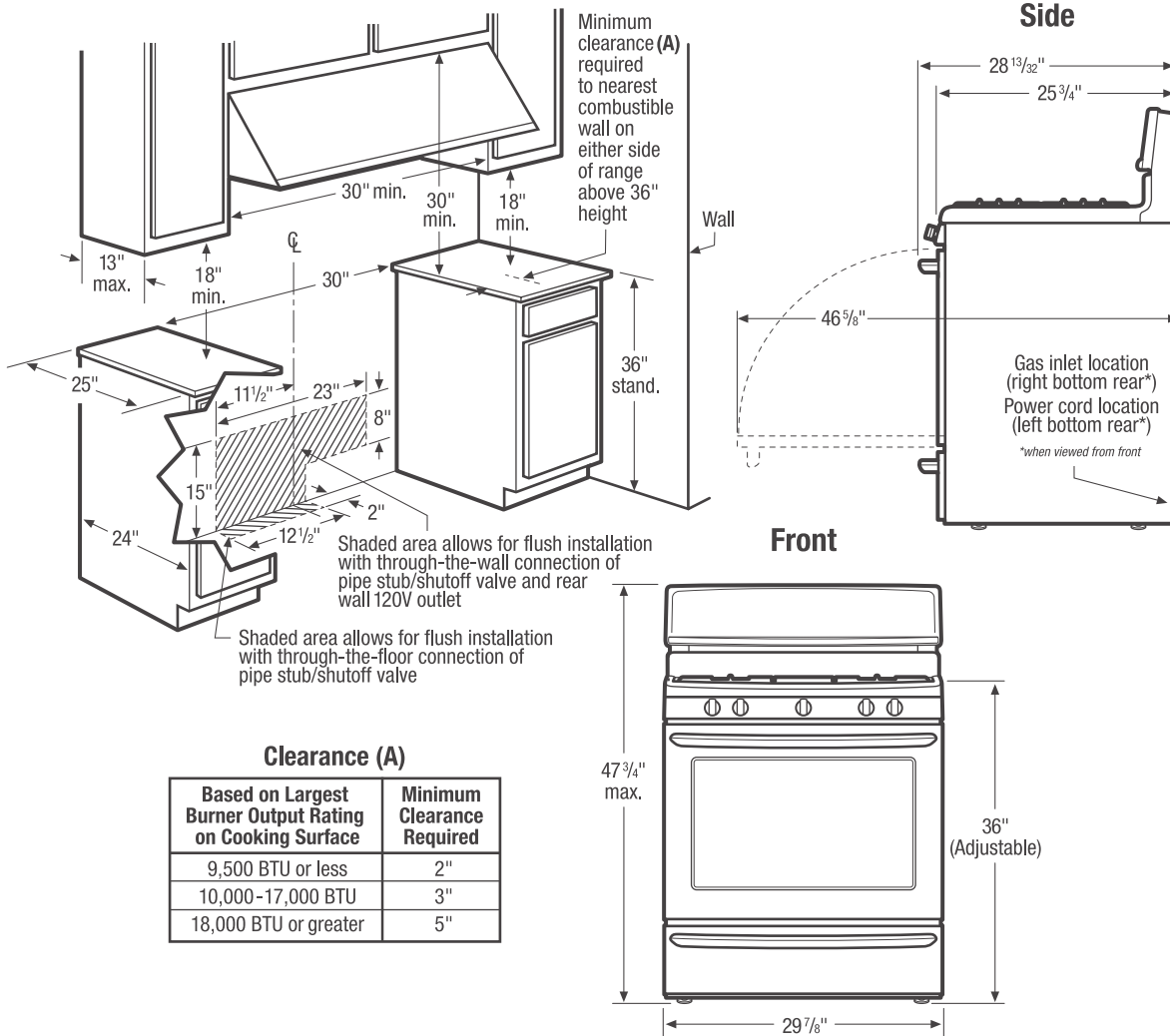
FRIGIDAIRE

USA • 10200 David Taylor Drive • Charlotte, NC 28262 • 1-800-FRIGIDAIRE • frigidaire.com
 CANADA • 5855 Terry Fox Way • Mississauga, ON L5V 3E4 • 1-800-265-8352 • frigidaire.ca

FGGF3032M 05/13

© 2013 Electrolux Home Products, Inc.

Specifications subject to change.



Freestanding Range Specifications

- Product Shipping Weight (approx.) - 215 Lbs.
- Voltage Rating - 120V / 60 Hz / 15 Amps
- Connected Load (kW Rating) @ 120 Volts = 1.8kW (For use on adequately wired 120V, dedicated circuit having 2-wire service with a separate ground wire. Appliance must be grounded for safe operation.)
- Amps @ 120 Volts = 15 Amps
- Always consult local and national electric and gas codes.
- Make sure wall coverings around range can withstand heat generated by range.
- Linoleum or any other synthetic floor covering located beneath range, must be capable of withstanding minimum heat of 90° F above room temperature without shrinking, warping or discoloring. Insulating pad or 1/4"-thick plywood required between range and a carpeted floor.
- Do not obstruct flow of combustion air at oven vent nor around base or beneath lower front panel of range. Range requires fresh air for proper burner combustion.
- Do not install range beneath any downward-blowing, overhead vent hood or air curtain.
- Range ships with 3/4" factory regulator.
- Range is LP Gas convertible. (Optional LP Gas Conversion Kit available.)

- Floor beneath range MUST be solid and level.
- Overhead cabinetry should not exceed a 13" maximum depth.
- Absolute minimum horizontal distance between overhead cabinets installed to either side of appliance must be no less than maximum width of appliance.
- Range can be installed flush to wall with 0" minimum rear clearance.
- Minimum clearance required (from edge of rangetop to nearest combustible wall on either side of range above 36" height) is based on largest burner output rating on cooking surface.
- To reduce risk of fire when using overhead cabinetry, install range hood that projects horizontally a recommended minimum of 5" beyond bottom of cabinets.
- Follow all dimension requirements provided to prevent property damage, potential fire hazard, and incorrect countertop and cabinet cuts.

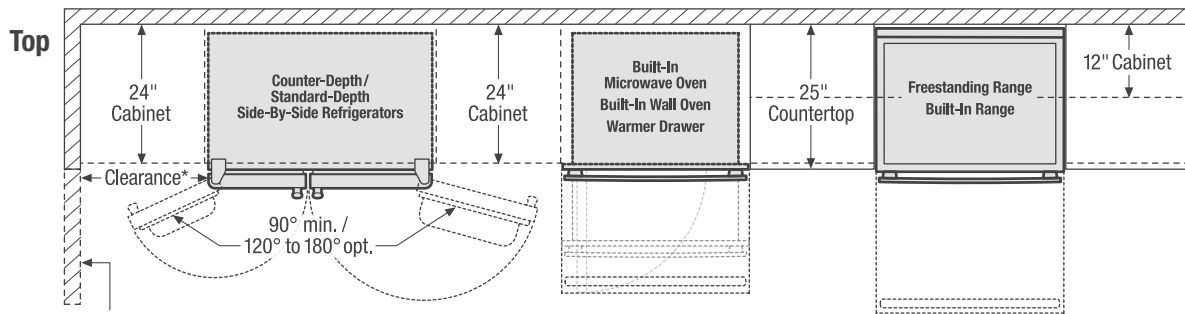
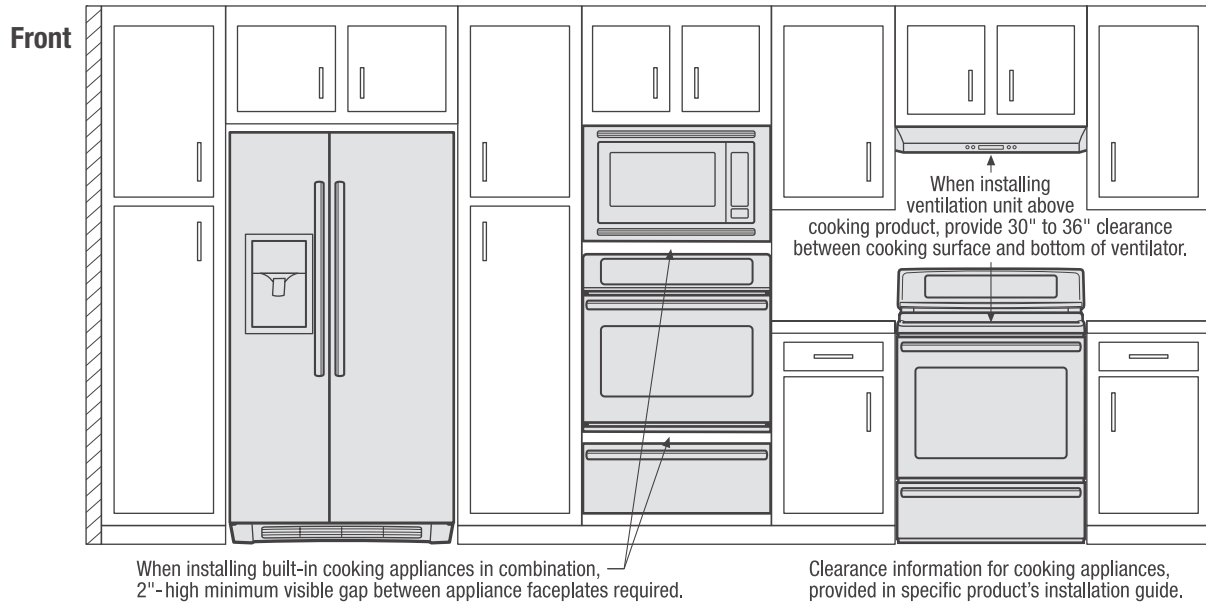
Note: For planning purposes only. Refer to Product Installation Guide on the web at frigidaire.com for detailed instructions.

Optional Accessories

- LP Gas Conversion Kit - (PN# GRLP3)



Use these dimensions and clearance instructions for planning purposes only. For detailed installation instructions, refer to installation guide, packed with product, or on the web at frigidaire.com.



*When installing side-by-side refrigerator adjacent to wall, cabinet or another appliance that extends beyond front edge of unit, 20" minimum clearance recommended to allow for optimum 120° to 180° door swing, providing complete drawer/crisper access and removal. (Absolute 4-1/2" minimum clearance will ONLY allow for 90° door swing which will provide limited drawer/crisper access with restricted removal.)

When installing appliance with sliding drawer, swinging or drop-down door directly across from obstructions, provide sufficient clearance for drawer extension or door swings.



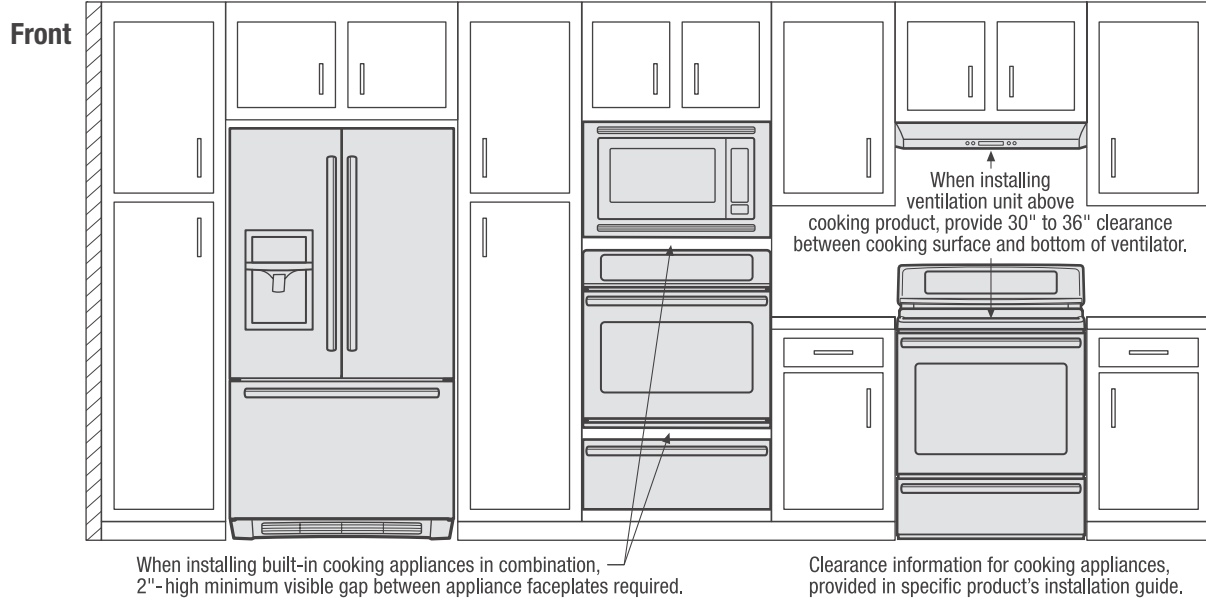
Use these dimensions and clearance instructions for planning purposes only. For detailed installation instructions, refer to installation guide, packed with product, or on the web at frigidaire.com.



*When installing top mount refrigerator adjacent to wall, cabinet or other appliance that extends beyond front edge of unit, 20" minimum clearance recommended to allow for optimum 140° door swing, providing complete crisper access and removal. (Absolute 3" minimum clearance will ONLY allow for 90° door swing which will provide limited crisper access with restricted removal.)



Use these dimensions and clearance instructions for planning purposes only. For detailed installation instructions, refer to installation guide, packed with product, or on the web at frigidaire.com.



*When installing French door refrigerator adjacent to wall, cabinet or another appliance that extends beyond front edge of unit, 20" minimum clearance recommended to allow for optimum 120° to 180° door swing, providing complete drawer/crisper access and removal. (Absolute 4-1/2" minimum clearance will ONLY allow for 90° door swing which will provide limited drawer/crisper access with restricted removal.)

When installing appliance with sliding drawer, swinging or drop-down door directly across from obstructions, provide sufficient clearance for drawer extension or door swings.



Use these dimensions and clearance instructions for planning purposes only. For detailed installation instructions, refer to installation guide, packed with product, or on the web at frigidaire.com.

