

# 40" DUAL FUEL RANGE INSTALLATION INSTRUCTIONS

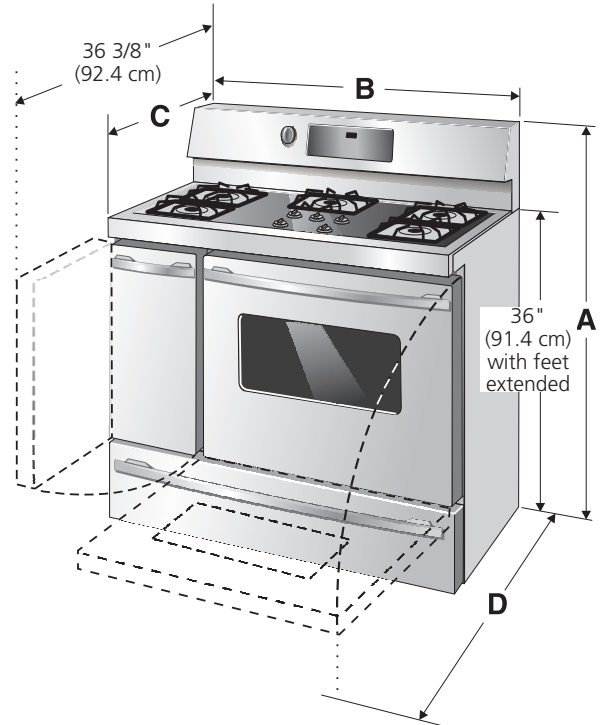
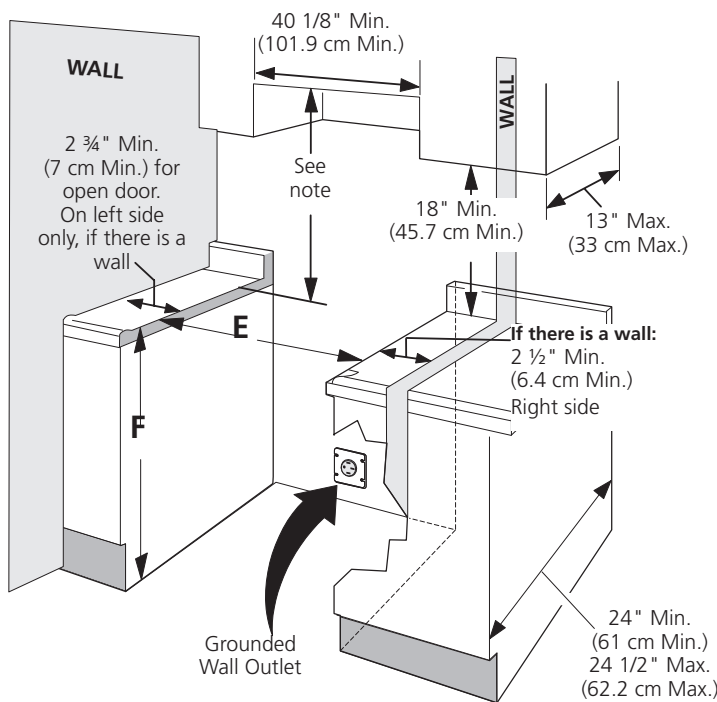
## (Models with Electric Ovens and Gas Cooktop)

**IMPORTANT: SAVE FOR LOCAL ELECTRICAL INSPECTOR'S USE.  
READ AND SAVE THESE INSTRUCTIONS FOR FUTURE REFERENCE.  
OBSERVE ALL GOVERNING CODES AND ORDINANCES.**

**⚠ WARNING** If the information in this manual is not followed exactly, a fire or explosion may result causing property damage, personal injury or death.

### FOR YOUR SAFETY:

- Do not store or use gasoline or other flammable vapors and liquids in the vicinity of this or any other appliance.
- **WHAT TO DO IF YOU SMELL GAS:**
  - Do not try to light any appliance.
  - Do not touch any electrical switch; do not use any phone in your building.
  - Immediately call your gas supplier from a neighbor's phone. Follow the gas supplier's instructions.
  - If you cannot reach your gas supplier, call the fire department.
- Installation and service must be performed by a qualified installer, service agency or the gas supplier.



Do not pinch the power supply cord between the range and the wall.

Do not seal the range to the side cabinets.

**NOTE:** 24" (61 cm) minimum clearance between the cooktop and the bottom of the cabinet when the bottom of wood or metal cabinet is protected by not less than

1/4" (0.64 cm) flame retardant millboard covered with not less than No. 28 MSG sheet metal, 0.015" (0.4 mm) stainless steel, 0.024" (0.6 mm) aluminum, or 0.020" (0.5 mm) copper.

30" (76.2 cm) minimum clearance when the cabinet is unprotected.

A. HEIGHT	B. WIDTH	C. DEPTH TO FRONT OF RANGE	D. DEPTH WITH DOOR OPEN	E. MINIMUM CUTOUT WIDTH	F. HEIGHT OF COUNTERTOP
48 1/8" (122.2 cm)	40 1/8" (101.9 cm)	26 1/4" (66.7 cm) with handle 28 1/2" (72.4)	44 5/8" (113.3 cm)	40 1/4" (102.2 cm)	36" (91.4 cm) standard 35 7/8" (91.1 cm) min.

# 40" DUAL FUEL RANGE INSTALLATION INSTRUCTIONS

## (Models with Electric Ovens and Gas Cooktop)

### Important Notes to the Installer

1. Read all instructions contained in these installation instructions before installing range.
2. Remove all packing material from the oven compartments before connecting the electrical supply to the range (see "Preparation", page 8).
3. Two anti-tip brackets, located inside the oven cavity MUST be installed (see "Anti-Tip Bracket Installation", page 8).
4. Observe all governing codes and ordinances.
5. Be sure to leave these instructions with the consumer.




### Important Note to the Consumer

Keep these instructions with your owner's guide for future reference.

## IMPORTANT SAFETY INSTRUCTIONS

Installation of this range must conform with local codes or, in the absence of local codes, with the National Fuel Gas Code ANSI Z223.1-latest edition.

This range has been designed certified by the American Gas Association. As with any appliance using gas and generating heat, there are certain safety precautions you should follow. You will find them in the Use and Care Guide, read it carefully.

 <b>WARNING</b>		
	<ul style="list-style-type: none"><li>• All ranges can tip.</li><li>• Injury to persons could result.</li><li>• Install anti-tip device packed with range.</li></ul>	<p>To reduce the risk of tipping of the range, the range must be secured by properly installed anti-tip bracket(s) provided with the range.</p> <p>To check if the bracket(s) is installed properly, remove the lower panel or storage drawer and verify that the anti-tip bracket(s) is engaged.</p>
		

- **Be sure your range is installed and grounded properly by a qualified installer or service technician.**
- **This range must be electrically grounded in accordance with local codes or, in their absence, with the National Electrical Code ANSI/NFPA No. 70—latest edition** (See grounding Instructions on page 4).
- The installation of appliances designed for manufactured (mobile) home installation must conform with Manufactured Home Construction and Safety Standard, title 24CFR, part 3280 [Formerly

the Federal Standard for Mobile Home Construction and Safety, title 24, HUD (part 280)] or when such standard is not applicable, the Standard for Manufactured Home Installation 1982 (Manufactured Home Sites, Communities and Setups), ANSI Z225.1/ NFPA 501A-latest edition, or with local codes.

- **Make sure the wall coverings around the range can withstand the heat generated by the range.**
- **Before installing the range in an area covered with linoleum or any other synthetic floor covering, make sure the floor covering can withstand heat at least 90°F/32°C above room temperature without shrinking, warping or discoloring.** Do not install the range over carpeting unless you place an insulating pad or sheet of 1/4" (6.4 mm) thick plywood between the range and carpeting.
- **Do not obstruct the flow of combustion air at the oven vent nor around the base or beneath the lower front panel of the range.** Avoid touching the vent openings or nearby surfaces as they may become hot while the oven is in operation. This range requires fresh air for proper burner combustion.

**⚠ WARNING** Never leave children alone or unattended in the area where an appliance is in use. As children grow, teach them the proper, safe use of all appliances. Never leave the oven door open when the range is unattended.

**⚠ WARNING** Stepping, leaning or sitting on the door(s) or drawer of this range can result in serious injuries and can also cause damage to the range.

- **Do not store items of interest to children in the cabinets above the range.** Children could be seriously burned climbing on the range to reach items.
- **To eliminate the need to reach over the surface units, cabinet storage space above the units should be avoided.**
- **Adjust surface burner flame size so it does not extend beyond the edge of the cooking utensil.** Excessive flame is hazardous.
- **Do not use the oven as a storage space.** This creates a potentially hazardous situation.
- **Never use your range for warming or heating the room.** Prolonged use of the range without adequate ventilation can be dangerous.
- **Do not store or use gasoline or other flammable vapors and liquids near this or any other appliance.** Explosions or fires could result.
- In the event of an electrical power outage, the surface burners can be lit manually. To light a surface burner, hold a lit match to the burner head and slowly turn the Surface Control knob to Lite. Use caution when lighting surface burners manually.
- **Reset all controls to the OFF position after using a programmable timing operation.**

# 40" DUAL FUEL RANGE INSTALLATION INSTRUCTIONS

(Models with Electric Ovens and Gas Cooktop)

## Model and Serial Number Location

The serial plate is located on the oven front frame behind the large oven door.

When ordering parts for or making inquiries about your range, always be sure to include the model and serial numbers and a lot number or letter from the serial plate on your range (Figure 1).

Serial Plate Location

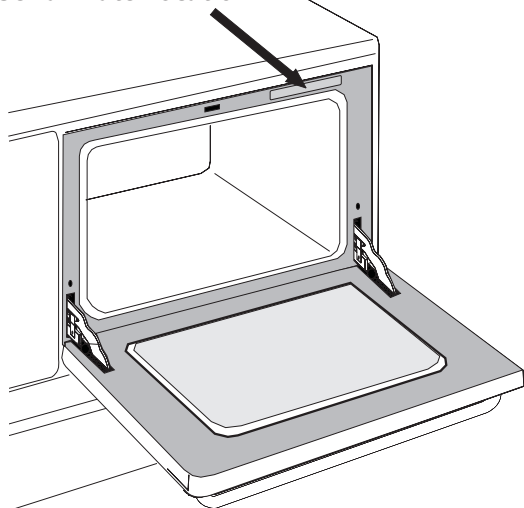


Figure 1

## 1. Power Supply Cord Kit

The user is responsible for connecting the power supply cord to the connection block located behind the back panel access cover.

This appliance may be connected by means of permanent "hard wiring"; flexible armored or nonmetallic shielded copper cable (when local code allow it) or by means of a power supply cord kit.

**⚠ WARNING** Risk of fire or electrical shock exists if an incorrect size range cord kit is used, the Installation Instructions are not followed, or the strain relief bracket is discarded.

For mobile homes, new installations or recreational vehicles, use only a power supply kit designed for a range at 125V/250V 30A. Cord must have either 3 (when local code permits grounding through neutral) or 4 conductors. Terminal on end of wires must be either closed loop or open spade lug with upturned ends. Cord must have strain-relief clamp.

**⚠ CAUTION** Do not loosen the nuts which secure the factory-installed range wiring to terminal block while connecting range. Electrical failure or loss of electrical connection may occur.

**NOTE:** Range is shipped from factory with 1 1/8" dia. hole as shown in figure 3. If a larger hole is required, punch out the knockout.

## 2. Access to Terminal Block & Grounding Strap

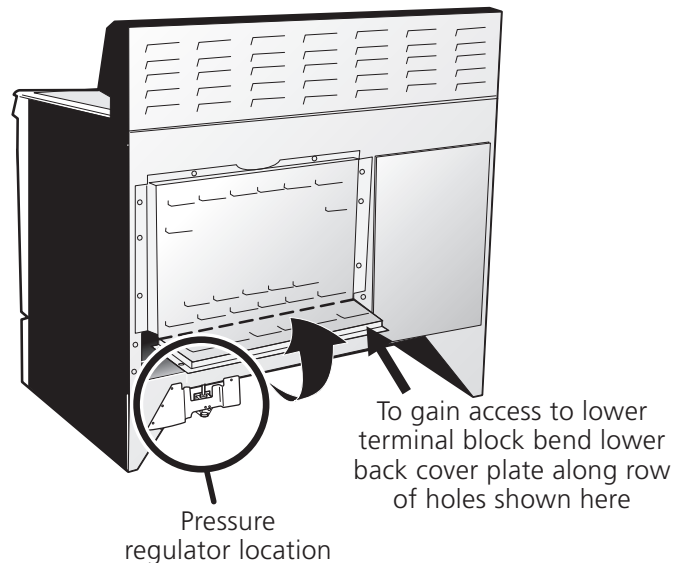


Figure 2

**⚠ WARNING** This appliance is manufactured with the frame grounded by connection of a grounding strap between the neutral power supply terminal and the frame. If used in USA, in a new branch circuit installation (1996 NEC), mobile home or recreational vehicle, where local code do not permit grounding through neutral (white) wire or in Canada; remove the grounding strap from the frame and cut the other end, near the neutral terminal. Connect the appliance in usual manner.

## ⚠ WARNING

### Electrical Shock Hazard

- Electrical ground is required on this appliance.
  - Do not connect to the electrical supply until appliance is permanently grounded.
  - Disconnect power to the circuit breaker or fuse box before making the electrical connection.
  - This appliance must be connected to a grounded, metallic, permanent wiring system, or a grounding connector should be connected to the grounding terminal or wire lead on the appliance.
- Failure to do any of the above could result in a fire, personal injury or electrical shock.

# 40" DUAL FUEL RANGE INSTALLATION INSTRUCTIONS

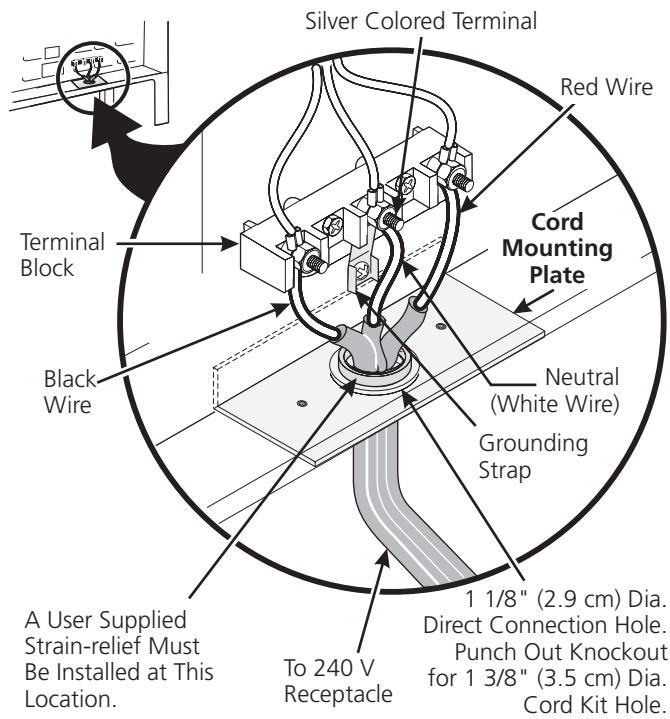
## (Models with Electric Ovens and Gas Cooktop)

### 3. Electrical Connection to the Range

#### Three Conductor Wire Connection to Range

If local codes permit connection of the frame grounding conductor to the neutral wire of the copper power supply cord (see Figure 3):

1. Remove the 3 screws at the lower end of the rear wire cover, then bend the lower end of the rear wire cover (access cover) upward to expose range terminal connection block (see Figure 2).
2. Using the nuts supplied in the literature package, connect the neutral of the copper power supply cord to the center silver-colored terminal of the terminal block, and connect the other wires to the outer terminals. Match wires and terminals by color (red wires connected to the right terminal, black wires connected to the left terminal) (see figure 3).
3. Lower the terminal cover and replace the 3 screws.

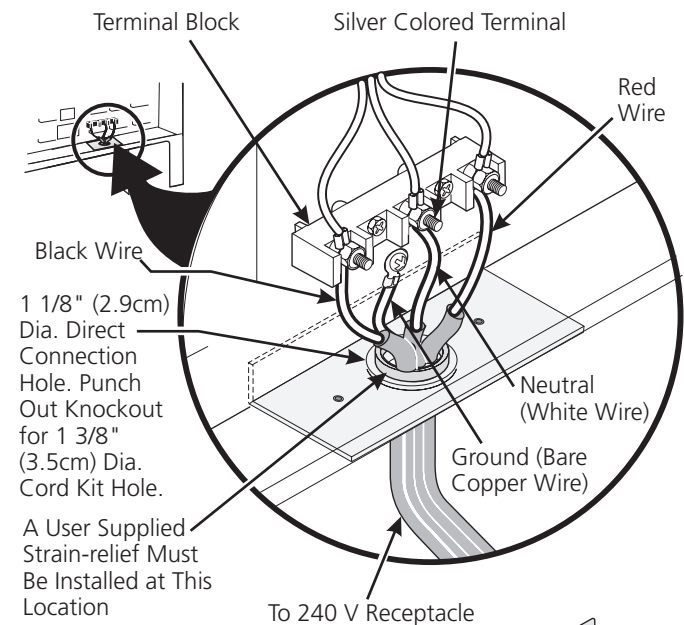


**Figure 3**

#### Four Conductor Wire Connection to Range

Where local codes does NOT permit connection of the frame grounding conductor to the neutral wire of the copper power supply cord (see Figure 4):

1. Remove the 3 screws at the lower end of the rear wire cover, then raise the lower end of the rear wire cover (access cover) upward to expose range terminal connection block (see figure 2).
2. Remove the grounding strap from the terminal block and from the appliance frame.
3. Using the nuts supplied with the literature package, connect the ground wire (green) of the copper power supply cord to the frame of the appliance with the ground screw, using the hole in the frame where the ground strap was removed (see Figure 4).
4. Connect the neutral of the copper power supply cord to the center silver-colored terminal of the terminal block, and connect the other wires to the outer terminals. Match wires and terminals by color (red wires connected to the right terminal, black wires connected to the left terminal).
5. Lower the terminal cover and replace the 3 screws.



**NOTE:** Be sure to remove the supplied grounding strap.



**Figure 4**

# 40" DUAL FUEL RANGE INSTALLATION INSTRUCTIONS

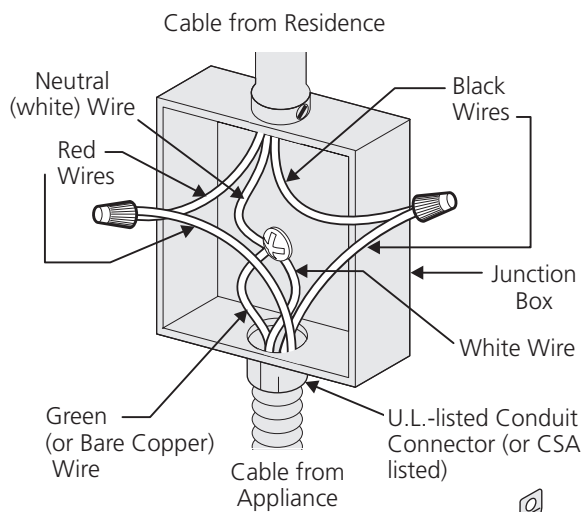
## (Models with Electric Ovens and Gas Cooktop)


### Direct Electrical Connection to the Circuit Breaker, Fuse Box or Junction Box

If the appliance is connected directly to the circuit breaker, fuse box or junction box, use flexible, armored or nonmetallic sheathed copper cable (with grounding wire). Supply a U.L. listed strain-relief at each end of the cable. At the appliance end, the cable goes through the Direct Connection Hole (see Figure 5) on the Cord Mounting Plate. Wire sizes (**copper wire only**) and connections must conform to the rating of the appliance.

### Where local codes permit connecting the appliance-grounding conductor to the neutral (white) wire (see Figure 5):

1. Be sure that no power is supplied on the cable from residence.
2. Remove the grounding strap from the terminal block and from the appliance frame.
3. In the circuit breaker, fuse box or junction box:
  - a) Connect the green (or bare copper) wire, the white appliance cable wire, and the neutral (white) wire together.
  - b) Connect the 2 black wires together.
  - c) Connect the 2 red wires together.

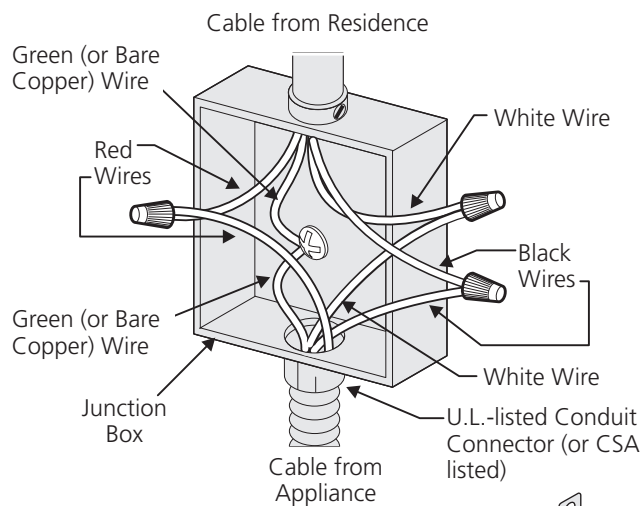



**NOTE:** Be sure to remove the supplied grounding strap. 

**Figure 5**  
**3-Wire (Grounded Neutral) Electrical System**  
**(Example: Junction Box)**

### Where local codes DO NOT permit connecting the appliance-grounding conductor to the neutral (white) wire, or if connecting to 4-wire electrical system (see Figure 6):

1. Be sure that no power is supplied on the cable from residence.
2. Remove the grounding strap from the terminal block and from the appliance frame.
3. In the circuit breaker, fuse box or junction box:
  - a) Connect the white appliance cable wire to the neutral (white) wire.
  - b) Connect the 2 black wires together.
  - c) Connect the 2 red wires together.
  - d) Connect the green (or bare copper) grounding wire to the grounding wire of the circuit breaker, fuse box or junction box.



**NOTE:** Be sure to remove the supplied grounding strap. 

**Figure 6 – 4-Wire Electrical System**  
**(Example: Junction Box)**

# 40" DUAL FUEL RANGE INSTALLATION INSTRUCTIONS

## (Models with Electric Ovens and Gas Cooktop)

### Junction Box Location

Locate junction box as shown in Figure 7.

If a service cord is used, the wall receptacle should be located in accordance with the dimensions below.

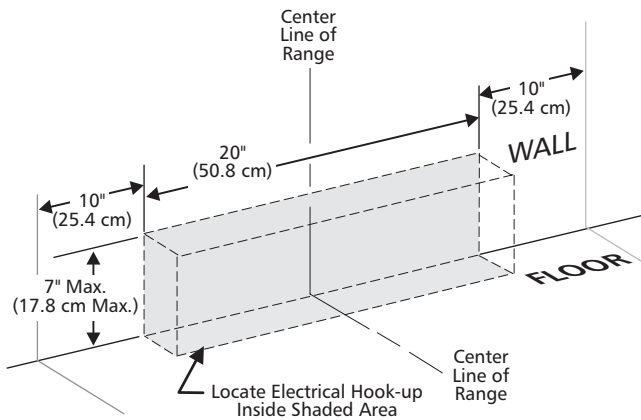
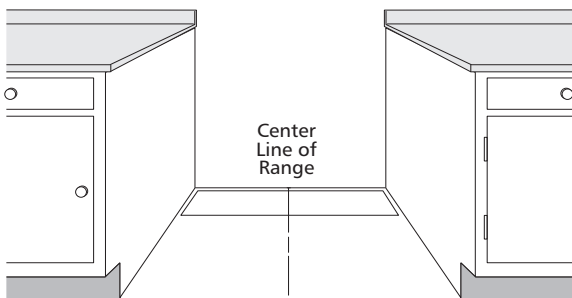


Figure 7

### Range Placement

**CAUTION** To eliminate the risk of burns or fire by reaching over heated surface units, cabinet storage space located above the range should be avoided. If cabinet storage space is to be provided, the risk can be reduced by installing a range hood that projects horizontally a minimum of 5" (12.7 cm) beyond the bottom of the cabinet.



Follow instructions for the type of installation you have

Figure 8

**If range will be installed with a cabinet on both sides**, draw a center line on the floor between the cabinets (see figure 8). **If back of range will not be flush with the wall** (the location of the outlet may not allow the range to be positioned against the wall), draw a line on the floor where the back edge of the range will be. Now install anti-tip brackets (see "Anti-Tip Bracket Installation, page 10).

**If range will be installed with a cabinet on one side only**, move the range into final position. Draw a line on the floor along the side of the range that is not against the cabinet. **If back of range will not be flush with the wall** (the location of the outlet may not allow the range to be positioned against the wall), draw a line

on the floor where the back edge of the range will be. Now install anti-tip brackets (see "Anti-Tip Brackets Installation", page 10).

**If range will not be installed against a cabinet**, move range into final position. Mark on the floor along both sides of the range. **If back of range will not be flush with the wall** (the location of the outlet may not allow the range to be positioned against the wall), draw a line on the floor where the back edge of the range will be. Now install anti-tip brackets (see "Anti-Tip Brackets Installation", page 10).

### Gas Supply Installation

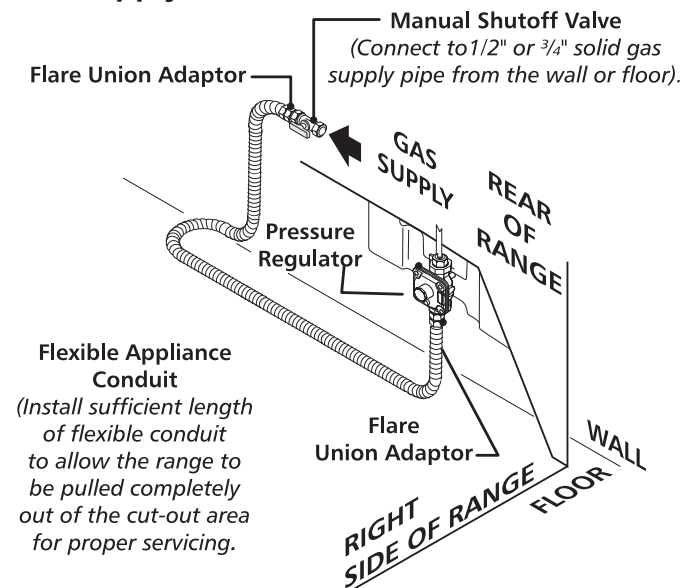


Figure 9

When shipped from the factory, this unit is designed to operate on 4" water column (1.0 kPa) Natural gas manifold pressure. A convertible pressure regulator (see figure 2) is connected to the range manifold and **MUST** be connected in series with the gas supply line. To access the regulator, remove the drawer.

**For proper operation**, the maximum inlet pressure to the regulator should be no more than 14" of water column pressure (3.5 kPa).

The inlet pressure to the regulator must be at least 1" (.25 kPa) greater than the regulator manifold pressure setting. The regulator is set for 4" water column (1.0 kPa) Natural gas manifold pressure; the inlet pressure must be at least 5" water column (1.25 kPa) Natural gas. For LP/Propane gas, the regulator must be set for 10" water column (2.5 kPa) manifold pressure; the inlet pressure must be at least 11" water column (2.75 kPa).

The supply line should be equipped with an approved shutoff valve (see Figure 9). This valve should be located in the same room as the range and should be in a location that allows ease of opening and closing. Do not

# 40" DUAL FUEL RANGE INSTALLATION INSTRUCTIONS

## (Models with Electric Ovens and Gas Cooktop)

block access to the shutoff valve. The valve is for turning on or shutting off gas to the appliance. Open the shutoff valve in the gas supply line. Wait a few minutes for gas to move through the gas line.

The gas supply between the shutoff valve and the regulator may be connected by rigid piping or by C.S.A. approved flexible metallic union connected piping where local codes permit use.

The gas supply piping can be through the side wall of the right cabinet. The right side cabinet is an ideal location for the main shutoff valve.

**⚠ CAUTION** Do not make the connection too tight. The regulator is die cast. Overtightening may crack the regulator resulting in a gas leak and possible fire or explosion.

Assemble the flexible conduit from the gas supply pipe to the pressure regulator in this order:

- 1- manual shutoff valve, 2- flare union adapter,
- 3- flexible conduit, 4- flare union adapter,
- 5- pressure regulator.

The gas supply line to the shutoff valve should be 1/2" or 3/4" solid pipe.

The user must know the location of the main shutoff valve and have easy access to it.

When using flexible gas conduit on the range, allow sufficient slack to pull the range outside the cutout for cleaning or servicing.

**NOTE:** Do not allow the flexible conduit to get pinched between the wall and the range. To visually check, remove the range drawer.

Use pipe-joint compound made for use with Natural and LP/Propane gas to seal all gas connections. If flexible conduit is used, be certain that it is not kinked.

**Leak testing of the appliance shall be conducted according to the manufacturer's instructions.**

**Check for leaks.** After connecting the range to the gas supply, check the system for leaks with a manometer. If a manometer is not available, turn on the gas supply and use a liquid leak detector at all joints and connections to check for leaks.

**⚠ WARNING** Do not use a flame to check for leaks from gas connections. Checking for leaks with a flame may result in a fire or explosion.

All openings in the wall or floor where the range is to be installed must be sealed.

**Tighten all connections** if necessary to prevent gas leakage in the cooktop or supply line.

**Check alignment of valves** after connecting the cooktop to the gas supply to be sure the manifold pipe has not been moved.

**Disconnect the range and its individual shutoff valve** from the gas supply piping system during any pressure testing of the system at test pressures greater than 1/2 psig (3.5 kPa or 14" water column).

### LP/Propane Gas Conversion

This appliance can be used with Natural Gas or Propane Gas. It is shipped from the factory for use with natural gas. If you wish to convert your range for use with LP/Propane gas, use the supplied fixed orifices; they are contained in a special bag along with instructions marked "FOR LP/PROPANE GAS CONVERSION", located on the back of the range, close to the appliance regulator valve.

The conversion must be performed by a qualified installer, LP supplier or service technician in accordance with the installation instructions furnished with this range and all codes and requirements of all local codes and requirements. Failure to follow instructions could result in serious injury or property damage. The qualified agency performing this work assumes responsibility for the conversion.

**⚠ WARNING** Failure to make the appropriate conversion can result in personal injury and property damage.

**⚠ CAUTION** Any additions, changes or conversions required in order for this appliance to satisfactorily meet the application needs must be made by an authorized Sears Service Center, Distributor or Qualified Agency.

### Moving the Appliance for Servicing and Cleaning

Turn off the range line fuse or circuit breakers at the main power source, and turn off the manual gas shut-off valve. Make sure the range is cold. Remove the service drawer and open the oven door. Lift the range at the front and slide it out of the cut-out opening without creating undue strain on the flexible gas conduit.

**Isolate the range from the gas supply piping system** by closing its individual manual shutoff valve during any pressure testing of the gas supply piping system at test pressures equal to or less than 1/2 psig (3.5kPa or 14" water column).

Make sure not to pinch the flexible gas conduit at the back of the range when replacing the unit into the cut-out opening. Replace the drawer, close the door and switch on the electrical power and gas to the range.

If the pressure regulator is connected to rigid piping, the regulator must be disconnected before moving the appliance.

Reassemble in reverse order (see figure 9).

# 40" DUAL FUEL RANGE INSTALLATION INSTRUCTIONS

## (Models with Electric Ovens and Gas Cooktop)

### Range Installation

#### NOTE:

1. The back of the range may be installed directly against the rear wall of the structure.
2. To reduce possible scorching of vertical walls and to minimize potential fire hazards under abnormal surface unit use conditions such as high heat or no pans and to conform to C.S.A. requirements, a minimum of 2½" (6.4 cm) spacing should be provided on both sides of the cooktop.
3. If a wall is present on the left side of range, allow a minimum of 2 3/4" (7 cm) to open the auxiliary door.

## WARNING

### Excessive Weight Hazard

- Use 2 or more people to move and install range.
- Failure to follow this instruction can result in back or other injury.

### Preparation

1. Put on safety glasses and gloves. Remove oven racks and parts package from inside the oven. Remove shipping materials, tape and protective film from the range.
2. Take 4 cardboard corners from the carton. Stack one on top of another. Repeat with other 2 corners. Place corners lengthwise on the floor in back of the range to support range.
3. Firmly grasp the range and gently lay it on its back on the cardboard corners.
4. Remove the 4 shipping bolts from the skid. Discard skid.
5. Lay a large piece of cardboard in front of the range. Carefully stand the range upright on cardboard.
6. Adjust the leveling legs to a point where the range base does not touch the floor.

### Leveling the Range

#### Level the range and set cooktop height before installation in the cut-out opening (if applicable).

1. Install an oven rack in the center of the oven.
2. Place a level on the rack (see fig. 10). Take 2 readings with the level placed diagonally in one direction and then the other. Level the range, if necessary, by adjusting the 4 leveling legs with a wrench (see Figure 14).
3. Slide range into cut-out opening and double check for levelness. If the range is not level, pull unit out and readjust leveling legs, or make sure floor is level.

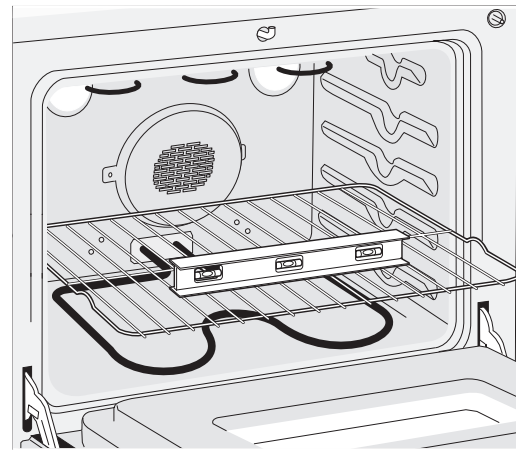


Figure 10

### Check Operation

Refer to the Use and Care Guide and the Electronic Oven Control Guide packaged with the range for operating instructions and for care and cleaning of your range.

Remove all packaging from the oven before testing.

#### 1. Install Burner Bases and Burner Caps

This range is equipped with sealed burners as shown (see Figure 11).

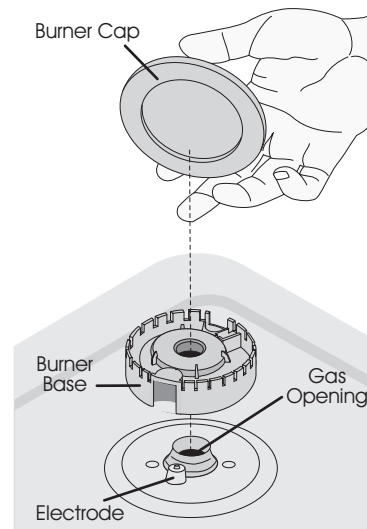


Figure 11

- a. Unpack burner bases and burner caps.
- b. Place burner bases over each gas opening.
- c. Make sure the burner is properly aligned and leveled. Place burner caps over appropriate burner bases.

**NOTE:** There are no burner adjustments necessary on this range.

#### 2. Turn on Electrical Power and Open Main Shutoff Gas Valve



# 40" DUAL FUEL RANGE INSTALLATION INSTRUCTIONS

## (Models with Electric Ovens and Gas Cooktop)

### 3. Check the Igniters

Operation of electric igniters should be checked after range and supply line connectors have been carefully checked for leaks and range has been connected to electric power. To check for proper lighting:

- Push in and turn a surface burner knob to the LITE position. You will hear the igniter sparking.
- The surface burner should light when gas is available to the top burner. Each burner should light within four (4) seconds in normal operation after air has been purged from supply lines. Visually check that burner has lit.
- Once the burner lights, the control knob should be rotated out of the LITE position.

There are separate ignition devices for each burner. Try each knob separately until all burner valves have been checked.

### 4. Adjust the "LOW" Setting of Surface Burner Valves (see Figure 12)

- Push in and turn each control to LITE until burner ignites.
- Quickly** turn knob to LOWEST POSITION.
- If burner goes out, readjust valve as follows: Reset control to OFF. Remove the surface burner control knob, insert a thin-bladed screwdriver into the hollow valve stem and engage the slotted screw inside. Flame size can be increased or decreased with the turn of the screw. Adjust flame until you can quickly turn knob from LITE to LOWEST POSITION without extinguishing the flame. Flame should be as small as possible without going out.

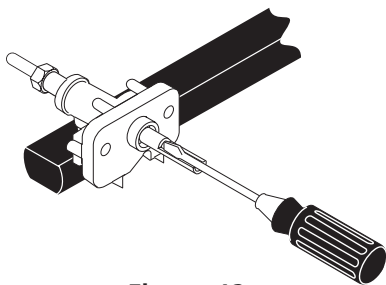


Figure 12

### 5. Operation of Oven Elements

The oven is equipped with an electronic oven control. Each of the functions has been factory checked before shipping. However, it is suggested that you verify the operation of the electronic oven controls once more. Refer to the Use and Care Guide for operation. Follow the instructions for the Clock, Timer, Bake, Broil, Convection (some models) and Clean (some models) functions.

**CAUTION** When checking oven element operation, do not touch the elements. They will be hot enough to cause serious burns.

**Bake**—After setting the oven to 350°F (177°C) for baking, the lower element in the oven should become red.

**Broil**—When the oven is set to BROIL, the upper element in the oven should become red.

**Clean**—When the oven is set for a self-cleaning cycle, the upper element should become red during the preheat portion of the cycle. After reaching the self-cleaning temperature, the lower element will become red.

**Convection**—When the oven is set to CONV. BAKE/ROAST at 350°F (177°C), both elements cycle on and off alternately and the convection fan will turn. The convection fan will stop turning when the oven door is opened during convection baking or roasting.

### When All Hookups are Complete

Make sure all controls are left in the OFF position.

### Before You Call for Service

Read the Avoid Service Checklist and operating instructions in your Use and Care Guide. It may save you time and expense. The list includes common occurrences that are not the result of defective workmanship or materials in this appliance.

Refer to the warranty and service information in your Use and Care Guide for our phone number and address. Please call or write if you have inquiries about your range product and/or need to order parts.

# 40" DUAL FUEL RANGE INSTALLATION INSTRUCTIONS

## (Models with Electric Ovens and Gas Cooktop)

### Important Safety Warning

To reduce the risk of tipping of the range, the range must be secured to the floor by properly installed anti-tip brackets and screws packed with the range. Those parts are located in a plastic bag in the oven. Failure to install the anti-tip brackets will allow the range to tip over if excessive weight is placed on an open door or if a child climbs upon it. Serious injury might result from spilled hot liquids or from the range itself.

Follow the instructions below to install the anti-tip brackets.

If range is ever moved to a different location, the anti-tip brackets must also be moved and installed with the range. To check for proper installation, see step 5.

### Tools Required:

5/16" (8 mm) Nutdriver  
Adjustable Wrench  
Electric Drill  
3/16" (4.8 mm) Diameter Drill Bit  
3/16" (4.8 mm) Diameter Masonry Drill Bit (if installing in concrete)

### Anti-tip Bracket Installation

Brackets attach to the floor at the back of the range to hold both rear leg levelers. When fastening to the floor, be sure that screws do not penetrate electrical wiring or plumbing. The screws provided will work in either wood or concrete.

1. Unfold paper template and place it flat on the floor with the back and side edges positioned exactly where the back and sides of range will be located when installed. (Use the diagram in figure 13 to locate brackets if template is not available.)
2. Mark on the floor the location of the 4 mounting holes (2 holes per bracket) shown on the template. For easier installation, 3/16" (4.8 mm) diameter pilot holes 1/2" (1.3 cm) deep can be drilled into the floor.
3. Remove template and place brackets on floor with turned up flanges to the outside (see figure 13). Line up holes in brackets with marks on floor and attach with 4 screws provided (2 screws per bracket). Brackets must be secured to solid floor. If attaching to concrete floor, first drill 3/16" (4.8 mm) dia. pilot holes using a masonry drill bit.
4. Level range if necessary, by adjusting the 4 leveling legs with a wrench. (See Figure 14 below.) A minimum clearance of 1/8" (3.2 mm) is required between the bottom of the range and the rear leveling legs to allow room for the anti-tip brackets.
5. Slide range into place making sure rear legs are trapped by ends of brackets. Range may need to be shifted slightly to one side as it is being pushed back to allow rear legs to align with brackets.
6. After installation, verify that the anti-tip bracket is engaged. Open and remove drawer and check to make sure the anti-tip bracket is engaged.

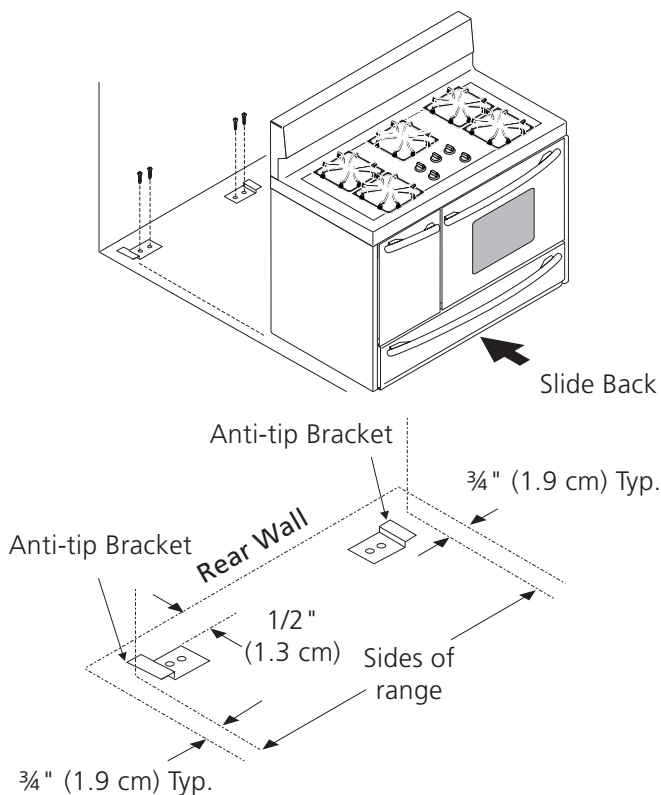


Figure 13

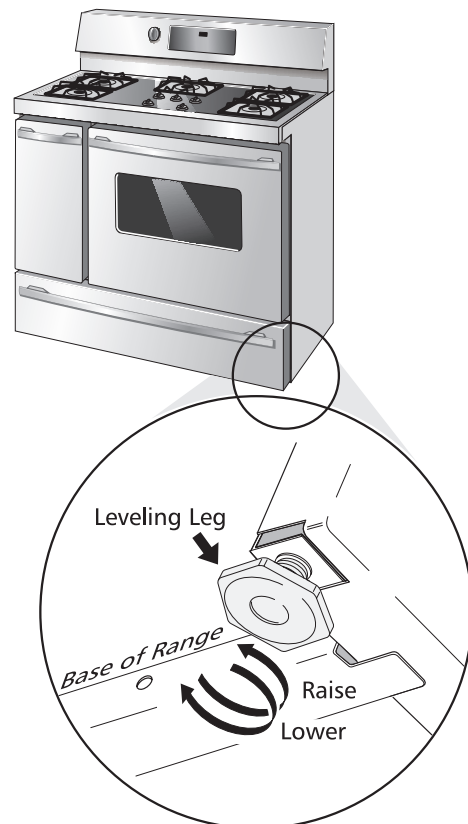


Figure 14

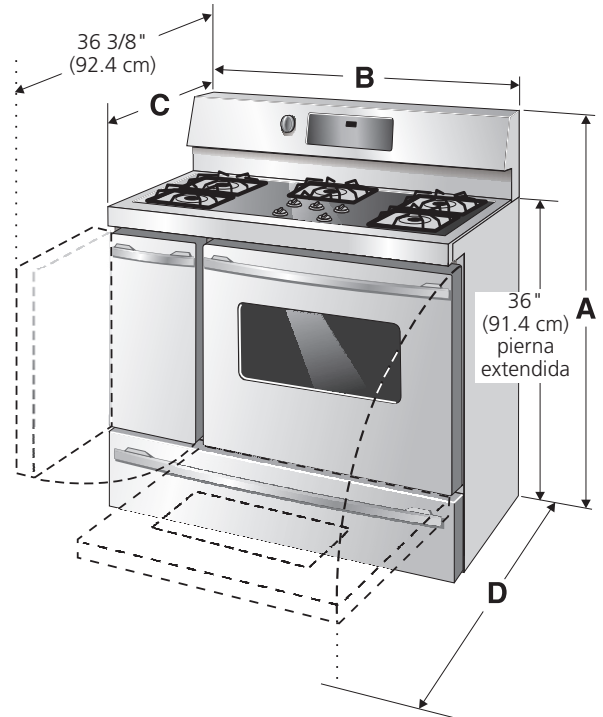
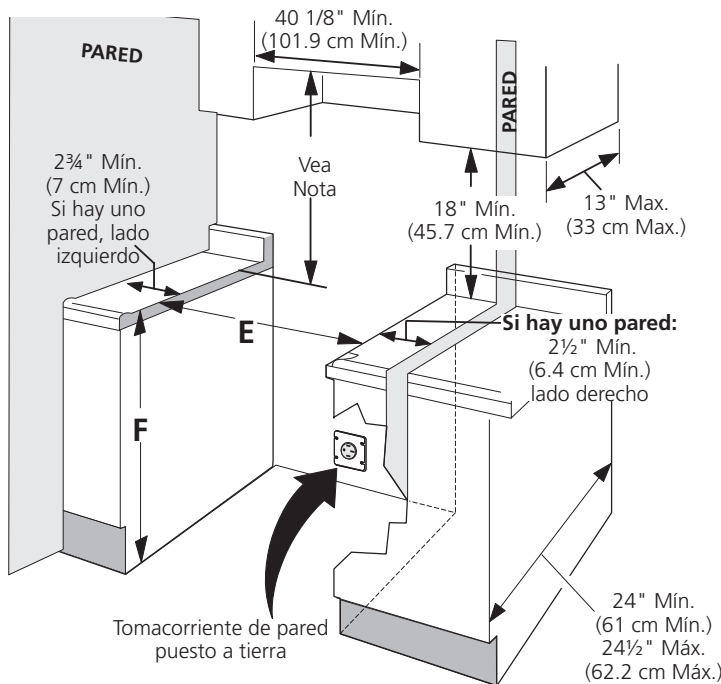
# INSTRUCCIONES DE INSTALACIÓN PARA LA ESTUFA DE FUEL DUAL DE 40" (Para modelos con un horno eléctrico y una estufa a gas)

**IMPORTANTE: GUARDE ESTAS INSTRUCCIONES PARA USO DEL INSPECTOR LOCAL DE ELECTRICIDAD.  
LEA Y GUARDE ESTAS INSTRUCCIONES PARA REFERENCIA FUTURA.  
OBSERVE CÓDIGOS TODO GOBERNANTES Y ORDENANZAS.**

**⚠️ ADVERTENCIA** Si la información contenida en este manual no es seguida exactamente, puede ocurrir un incendio o explosión causando daños materiales, lesión personal o la muerte.

## PARA SU SEGURIDAD:

- No almacene ni utilice gasolina u otros vapores y líquidos inflamables en la proximidad de éste o de cualquier otro artefacto.
- **QUE DEBE HACER SI PERCIBE OLOR A GAS:**
  - No trate de encender ningún artefacto.
  - No toque ningún interruptor eléctrico; no use ningún teléfono en su edificio.
  - Llame a su proveedor de gas desde el teléfono de un vecino.
- **Siga las instrucciones del proveedor de gas.**
- Si no logra comunicarse con su proveedor de gas, llame al departamento de bomberos.
- La instalación y el servicio de mantenimiento deben ser efectuados por un instalador calificado, la agencia de servicio o el proveedor de gas.



No pellizque el cordón eléctrico entre la estufa y la pared.

No selle la estufa a los armarios de lado.

**\*\*NOTA:** Un espacio mínimo de 24" (61 cm) entre la superficie de la estufa y el fondo del armario cuando el fondo del armario de madera o metal está protegido por no menos de 1/4" (0.64 cm) de madera resistente al fuego

cubierta por una lámina metálica de MSG, número 28, 0.015" (0.4 mm) de acero inoxidable, 0.024" (0.6 mm) de aluminio, ò 0.02" (0.5 mm) de cobre.

Un espacio mínimo de 30" (76.2 cm) cuando el armario no está protegido.

A. ALTURA	B. ANCHURA	C. PROFUNDIDAD AL FRENTE DE LA ESTUFA	D. PROFUNDIDAD CON PUERTA ABIERTA	E. MÍNIMO DE ANCHO ESPACIO RECORTADO	F. ALTURA DE MOSTRADOR
48 1/8" (122.2 cm)	40 1/8" (101.9 cm)	26 1/4" (66.7 cm) con la manilla 28 1/2" (72.4)	44 5/8" (113.3 cm)	40 1/4" (102.2 cm)	36" (91.4 cm) standard 35 7/8" (91.1 cm) min.

# INSTRUCCIONES DE INSTALACIÓN PARA LA ESTUFA DE FUEL DUAL DE 40"

(Para modelos con un horno eléctrico y una estufa a gas)

## Notas importantes para el Instalador

1. Lea todas las instrucciones contenidas en este manual antes de instalar la estufa.
2. Saque todo el material usado en el embalaje del compartimiento del horno antes de conectar el suministro eléctrico a la estufa.
3. Dos soportes antivuelco DEBEN quitarse en el horno y DEBEN ser instalados. Para detalles, vea instrucciones en la página 20.
4. Observe todos los códigos y reglamentos pertinentes.
5. Deje estas instrucciones con el comprador.

## Nota Importante para el Consumidor

Conserve estas instrucciones y el Manual del Usuario para referencia futura.

## IMPORTANTES INSTRUCCIONES DE SEGURIDAD

Instalación de esta estufa debe cumplir con todos los códigos locales, o en ausencia de códigos locales con el Código Nacional de Gas Combustible ANSI Z223.1—última edición.

El diseño de esta estufa ha sido certificado por la Asociación de Gas Americana. En éste como en cualquier otro artefacto que use gas y genere calor, hay ciertas precauciones de seguridad que usted debe seguir. Estas serán encontradas en el Manual del Usuario, léalo cuidadosamente.

### ⚠ ADVERTENCIA



- Todas las estufas pueden volcarse.
- Esto podría resultar en lesiones personales.
- Instale el dispositivo antivuelco que se ha empacado junto con esta estufa.

Para reducir el riesgo de que se vuelque la estufa, hay que asegurarla adecuadamente colocándole Los soportes antivuelco que se proporcionan. Para comprobar si estos están instalados y apretados en su lugar como se debe, ase el borde trasero superior de la estufa y cuidadosamente inclínela hacia adelante para asegurar que la estufa se ancle.

- **Asegúrese de que la estufa sea instalada y conectada a tierra en forma apropiada por un instalador calificado o por un técnico.**
- **Esta estufa debe ser eléctricamente puesta a tierra de acuerdo con los códigos locales, o en su ausencia, con el Código Eléctrico Nacional ANSI/NFPA No. 70, última edición.**
- La instalación de aparatos diseñados para instalación en casas prefabricadas (móviles) debe conformar con el Manufactured Home Construction and Safety Standard, título 24CFR, parte 3280 [Anteriormente el Federal Standard for Mobil Home Construction and Safety, título 24, HUD (parte 280)] o cuando tal estándar no se aplica, el Standard for Manufactured Home Installation 1982 (Manufactured Home sites, Communities and Setups), ANSI Z225.1/NFPA 501A-edición más reciente, o con los códigos locales.

- **Asegúrese de que el material que recubre las paredes alrededor de la estufa, pueda resistir el calor generado por la estufa.**
- **Antes de instalar la estufa en un área cuyo piso este recubierto con linóleo u otro tipo de piso sintético, asegúrese de que éstos puedan resistir una temperatura de por lo menos 90°F sobre la temperatura ambiental sin provocar encogimiento, deformación o decoloración.** No instale la estufa sobre una alfombra al menos que coloque una plancha de material aislante de por lo menos ¼ pulgada, entre la estufa y la alfombra.
- **No obstruya el flujo del aire de combustión en la ventilación del horno ni tampoco alrededor de la base o debajo del panel inferior delantero de la estufa.** Evite tocar las aberturas o áreas cercanas de la ventilación, ya que pueden estar muy calientes durante el funcionamiento del horno. La estufa requiere aire fresco para la combustión apropiada de los quemadores.

### ⚠ ADVERTENCIA

**Nunca deje niños solos o desatendidos en un área donde un artefacto está siendo usado.** A medida que los niños crecen, enséñeles el uso apropiado y de seguridad para todos los artefactos. Nunca deje la puerta del horno abierta cuando la estufa está desatendida.

### ⚠ ADVERTENCIA

**No se pare, apoye o siente en las puertas o cajones de esta estufa pues puede resultar en serias lesiones y puede también causar daño a la estufa.**

- **No almacene artículos que puedan interesar a los niños en los gabinetes sobre la estufa.** Los niños pueden quemarse seriamente tratando de trepar a la estufa para alcanzar estos artículos.
- **Los gabinetes de almacenamiento sobre la estufa deben ser evitados, para eliminar la necesidad de tener que pasar sobre los elementos superiores de la estufa para llegar a ellos.**
- **Ajuste el tamaño de la llama de los quemadores superiores de tal manera que ésta no sobrepase el borde de los utensilios de cocinar.** La llama excesiva es peligrosa.
- **No use el horno como espacio de almacenaje.** Esto creará una situación potencialmente peligrosa.
- **Nunca use la estufa para calentar el cuarto.** El uso prolongado de la estufa sin la adecuada ventilación puede resultar peligroso.
- **No almacene ni utilice gasolina u otros vapores y líquidos inflamables en la proximidad de éste o de cualquier otro artefacto eléctrico.** Puede provocar incendio o explosión.
- En caso de una interrupción del servicio eléctrico, es posible de encender los quemadores de superficie a mano. Para encender un quemador de superficie, acerque un fósforo encendido del cabezal del quemador, y gire delicadamente el botón de control de superficie a LITE (encendido). Tener cuidado al encender los quemadores a mano.
- **Ajuste todos los controles a la posición "OFF" (apagada) después de haber hecho una operación con tiempo programado.**

# INSTRUCCIONES DE INSTALACIÓN PARA LA ESTUFA DE FUEL DUAL DE 40" (Para modelos con un horno eléctrico y una estufa a gas)

## Ubicación del Número de Modelo y de Serie

La placa con el número de serie está ubicada en el marco delantero del horno detrás de la puerta del horno grande.

Cuando haga pedidos de repuestos o solicite información con respecto a su estufa, esté siempre seguro de incluir el número de modelo y de serie y el número o letra del lote de la placa de serie de su estufa (figura 1).

La placa de serie está ubicada aquí.

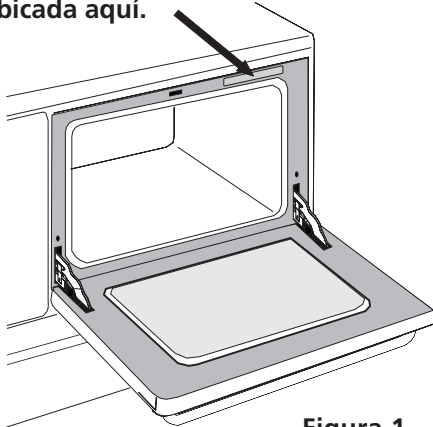


Figura 1

## 2. Acceso a la terminal del bloque y la correa de tierra

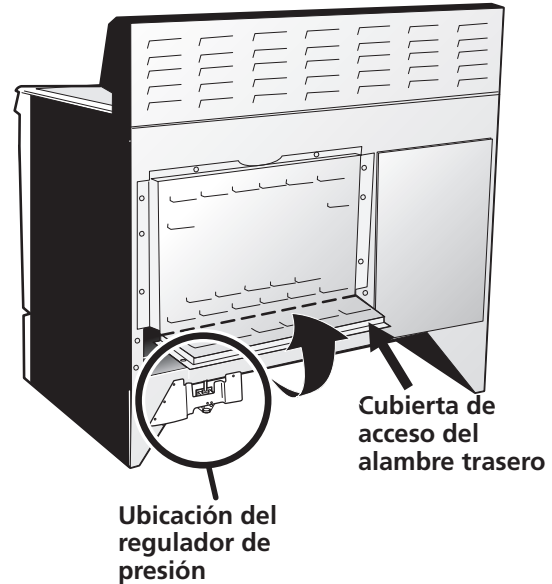


Figura 2

## 1. Estuche de cable del suministro eléctrico

El utilizado es responsable de la conexión del cable del suministro eléctrico al bloque de conexión situado detrás del panel de acceso.

El electrodoméstico se puede conectar a través de un cableado permanente "cableado duro"; cable de cobre blindado armado o cable no-metálico flexible (cuando el código local lo permite) o por medio de un kit de cable de alimentación.

**NOTA:** La cocina corrediza eléctrica viene de fábrica con un agujero de diámetro 1 1/8" (2.9 cm) como se muestra en la figura 4. Si un agujero más largo está necesario retire la arandela de la pre-cortada.

**⚠ ADVERTENCIA** El riesgo de fuego o de choque eléctrico puede aparecer si usa el tamaño de cable incorrecto, si las instrucciones de instalación no son seguidas o si retira la abrazadera de releva.

Para casas sobre ruedas, nuevas instalaciones, en los vehículos de recreativos o en los lugares donde los códigos locales no permiten la conexión del conductor de tierra al neutro, un ensamble de suministro eléctrico de 4 conductores para estufas, calificado a 125/250 voltios mínimo, 30 Amperes mínimo, debe de ser utilizado.

**⚠ PRECAUCIÓN** No desajuste las tuercas que aseguran la conexión de la cocina al bloque terminal cuando esté instalándola. El corte o la pérdida de corriente eléctrica puede ocurrir.

**⚠ ADVERTENCIA** Este electrodoméstico fue fabricado con el marco aterrizado a través de una correa de conexión entre el neutral de la fuente de alimentación y el marco. Si es utilizado en los E.E. U.U., con un circuito nuevo de instalación (1996 NEC), en casa sobre ruedas o vehículo recreativo, donde el código local no permite el aterrizaje a través del cable neutro (blanco) o en Canadá; remueva la correa de aterrizaje del marco y corte el otro extremo, cerca de la terminal de neutral. Conecte el electrodoméstico de la forma usual.

## ⚠ ADVERTENCIA

### Peligro de choque eléctrico

- La conexión a tierra es requerida para este electrodoméstico.
  - No conecte al suministro eléctrico hasta que el electrodoméstico este conectado a tierra de manera permanente.
  - Desconecte el suministro eléctrico hacia la caja de empalmes antes de hacer la conexión eléctrica.
  - Este electrodoméstico debe ser conectado a un sistema de alambres permanentes, metálicos, conectados a tierra o una puesta a tierra debe ser conectada al terminal de tierra o un emplomado al electrodoméstico.
- El no seguir ninguna de estas instrucciones podría causar fuego, heridas personales o choques eléctricos.

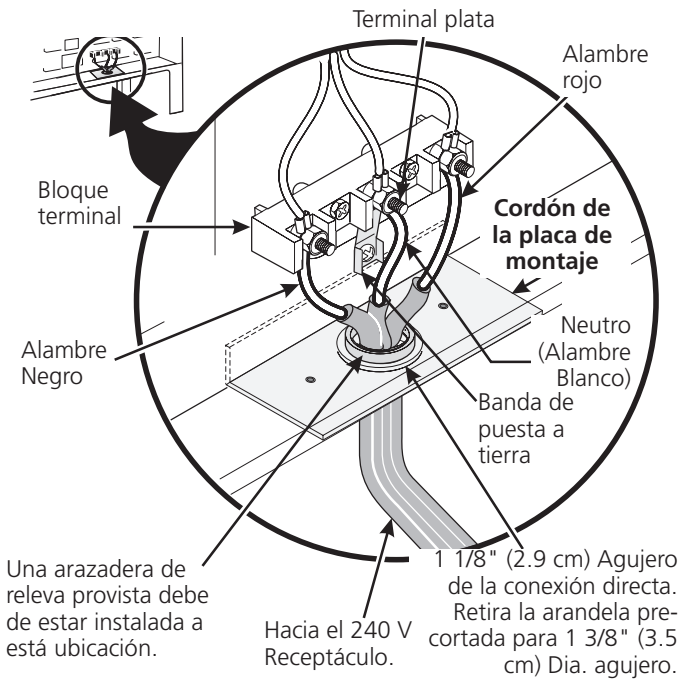
# INSTRUCCIONES DE INSTALACIÓN PARA LA ESTUFA DE FUEL DUAL DE 40" (Para modelos con un horno eléctrico y una estufa a gas)

## 3. Conexión eléctrica a la cocina

### Conexión del cable a tres alambres la cocina

Si los códigos locales permiten la conexión del conductor a tierra del armazón al alambre neutral del cable de bronce del suministro eléctrico (vea figura 3).

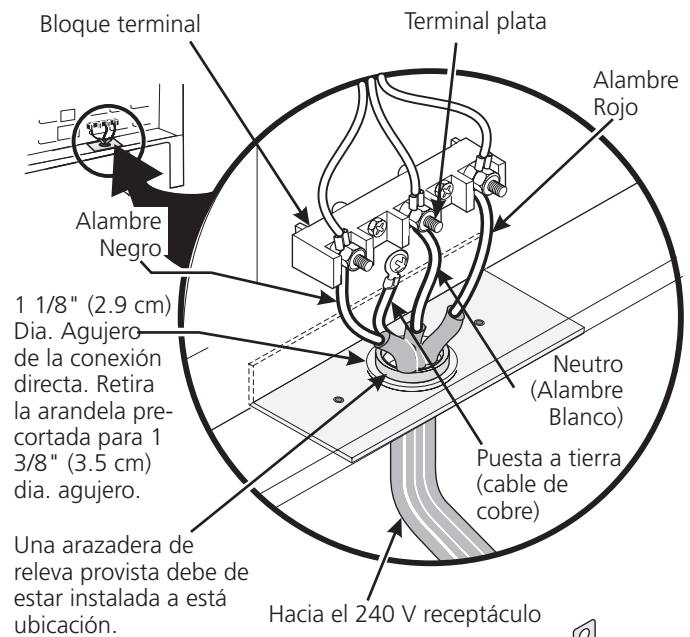
1. Retire los 3 tornillos de la parte baja de la cubierta del cable trasero (cubierta de acceso), luego levante la cubierta hacia arriba para tener acceso al bloque de conexión del borne terminal (vea figura 2).
2. Utilizar los tuercas suministraron en el paquete de la literatura para conectar la parte neutral del cable de bronce de suministro eléctrico al terminal plateado que se encuentra al centro del bloque terminal y, conectar los otros alambres a los terminales externos. Aparee los alambres y los terminales según el color (alambres rojos conectados al terminal derecho, alambres negros conectados al terminal izquierdo) (vea figura 3).
3. Baje la cubierta del terminal y vuelva al colocar los 3 tornillos.



**Figura 3**

### Conexión del cable de cuatro conductores a la cocina.

1. Retire los 3 tornillos de la parte baja de la cubierta del cable trasero, luego levante la cubierta hacia arriba para tener acceso (cubierta de acceso) al bloque de conexión del borne terminal (vea figura 2).
2. Retire la correa de la base del bloque terminal y del armazón del electrodoméstico. Retenga el tornillo de la base.
3. Utilizar los tuercas suministraron en el paquete de la literatura para conectar el alambre de tierra (verde) del cable de bronce del suministro eléctrico al armazón del electrodoméstico con el tornillo de la base, usando el hoyo del armazón por donde retiró la correa de la base (vea figura 4).
4. Conecte el alambre neutral (blanco) del cable de cobre del suministro eléctrico al terminal plateado del centro del bloque terminal y, conecte los otros alambres a los terminales externos.
5. Baje la cubierta del terminal y vuelva al colocar los 3 tornillos.



**NOTA:** Asegúrese de quitar la banda de puesta a tierra provista.

**Figura 4**

# INSTRUCCIONES DE INSTALACIÓN PARA LA ESTUFA DE FUEL DUAL DE 40"

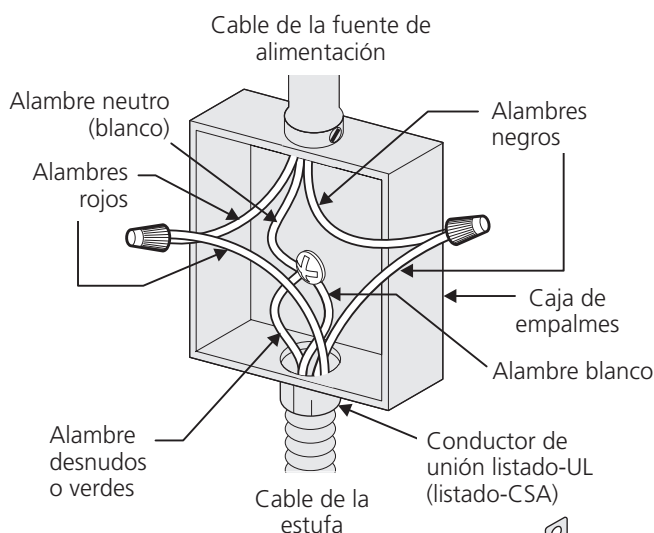
(Para modelos con un horno eléctrico y una estufa a gas)

## Conexión eléctrica directa al cortacircuito, a la caja de fusibles o la caja de empalmes

Si el aparato está conectado directamente al cortacircuito, a la caja de fusibles o a la caja de empalmes, use un cable blindado flexible o no metálico recubierto de cobre (con alambre a tierra). Provee una abrazadera releva de anclaje homólogo UL a cada extremidad del cable. A la extremidad del electrodoméstico, el cable pase a través del agujero de la conexión directa (ver figura 5) en el cordón de la placa de montaje. El tamaño de los alambres (**alambre de cobre solamente**) y las conexiones deben estar conforme al régimen del electrodoméstico.

## Donde los códigos locales permitan conectar el conductor de puesta a tierra del electrodoméstico al neutral (blanco) (vea figura 5):

1. Desconecte el suministro eléctrico.
2. Quite la banda de puesta a tierra de la caja de empalmes y del marco de la estufa.
3. En el cortacircuito, la caja de fusibles o la caja de empalmes:
  - a) Conecte el alambre verde (o cobre desnudo), el alambre blanco del cable del electrodoméstico y el alambre neutral (blanco) juntos.
  - b) Conecte los dos alambres negros juntos.
  - c) Conecte los dos alambres rojos juntos.



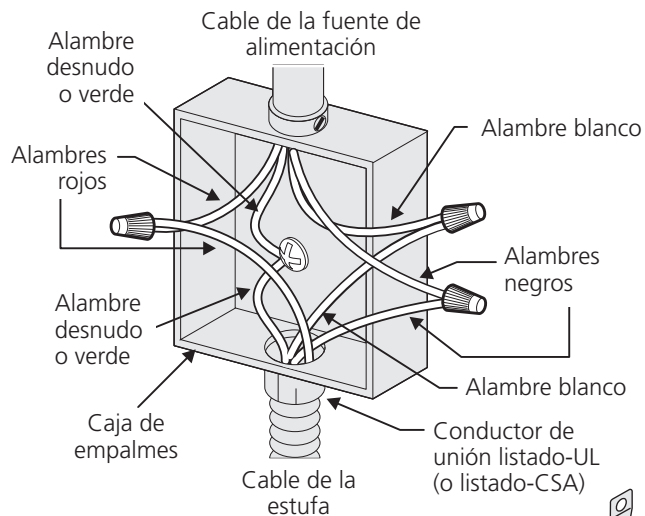
**NOTA:** Asegúrese de quitar la banda de puesta a tierra provista.

Figura 5

## Sistema Eléctrico a 3 Alambres (Neutral puesta a tierra) (Ejemplo: Caja de empalmes)

## Donde los códigos locales NO permitan conectar el conductor de puesta a tierra del electrodoméstico al neutral (blanco), o si está conectado con un sistema a 4 alambres (vea figura 6):

1. Desconecte el suministro eléctrico.
2. Separe el alambre verde (o cobre desnudo) y el alambre blanco del electrodoméstico.
3. En el cortacircuito, la caja de fusibles o la caja de empalmes:
  - a. Conecte el alambre blanco del cable del electrodoméstico al alambre neutral (blanco).
  - b. Conecte los 2 alambres negros juntos.
  - c. Conecte los 2 alambres rojos juntos.
  - d. Conecte el alambre verde (o de cobre desnudo) de la puesta a tierra del alambre al alambre de puesta a tierra del cortacircuito, de la caja de fusibles o de la caja de empalmes.



**NOTA:** Asegúrese de quitar la banda de puesta a tierra provista.

Figura 6

## Sistema Eléctrico a 4 Alambres (Ejemplo: Caja de empalmes)

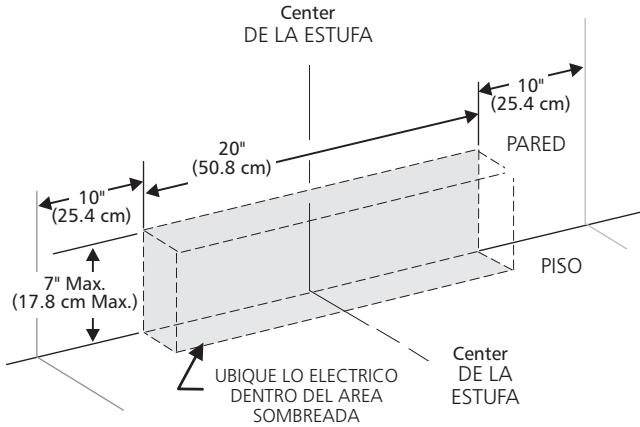
# INSTRUCCIONES DE INSTALACIÓN PARA LA ESTUFA DE FUEL DUAL DE 40" (Para modelos con un horno eléctrico y una estufa a gas)

## Situación de caja de unión

**Localice la caja de empalmes como se ve en la Figura 7.**

Si se usa un cordón de servicio, el receptáculo de pared debe estar localizado según las medidas que se indican abajo.

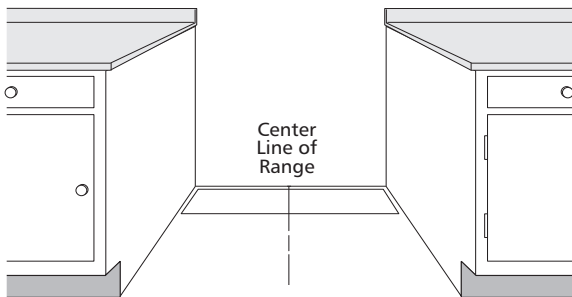
## Construcción de los Armarios



**Figura 7**

**PRECAUCION** Para eliminar el riesgo de quemaduras e incendios al tocar superficies sobrecalentadas, se debe evitar colocar espacio para armarios de almacenamiento sobre las estufas con elementos al descubierto. Si se instalan armarios sobre la estufa, se pueden reducir tales riesgos instalando una campana purificadora que se proyecta horizontalmente un mínimo de 5" (12.7 cm) más afuera de la parte inferior de los armarios.

**Si la estufa se va a instalar con un armario a ambos lados, marque el centro de la abertura del armario en el piso.**



Siga las instrucciones para el tipo de instalación que usted tenga

**Figura 8**

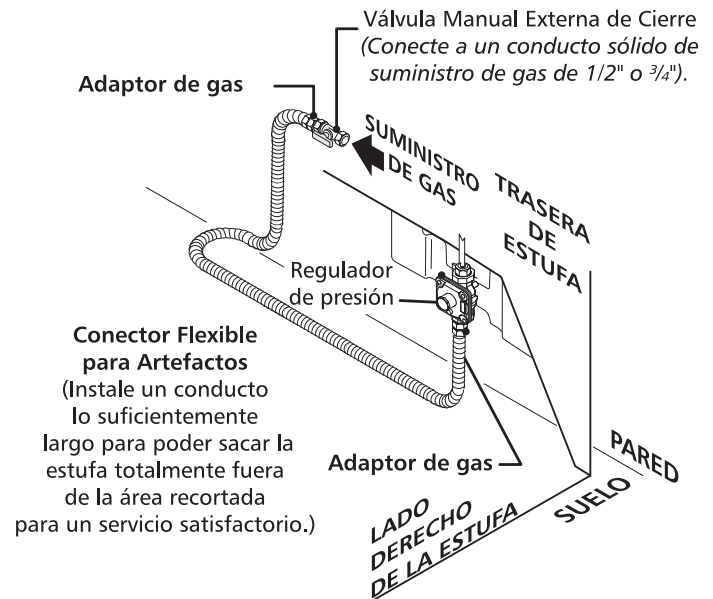
**Si la parte trasera de la estufa no estará a ras con la pared** (la ubicación del tomacorriente puede que no permita que la estufa se pegue a ras con la pared), marque el piso donde estará el borde trasero de la estufa. Ponga el patrón en el piso, alineando la línea del centro del patrón con la marca en el centro de la abertura del armario. Ponga el borde trasero del patrón a ras contra la pared trasera o la línea marcada para la parte de atrás de la estufa.

**Si la estufa se va a instalar con un armario a sólo un lado,** mueva la estufa a su posición final. Marque el piso por el lado de la estufa que no estará contra el armario. **Si la**

**parte trasera de la estufa no estará a ras con la pared** (la ubicación del tomacorriente puede que no permita que la estufa se pegue a ras con la pared), marque el piso donde el borde trasero de la estufa estará. Ponga el patrón en el piso y alinee el lado del patrón con la línea marcada en el piso. Alinee la parte trasera del patrón con la pared trasera o la línea marcada para la parte de atrás de la estufa.

**Si la estufa no será instalada junta contra un armario,** mueva la estufa a su posición final. Marque el piso por los dos lados de la estufa. **Si la parte trasera de la estufa no estará a ras con la pared** (la ubicación del tomacorriente puede que no permita que la estufa se pegue a ras con la pared), marque en el piso donde el borde trasero de la estufa estará. Ponga el patrón en el piso y alinee los lados del patrón con las líneas marcadas en el piso. Alinee la parte trasera del patrón con la pared trasera o la línea marcada para la parte trasera de la estufa (vea instalación del Soportes Antivuelco página 20).

## Instalación de la alimentación de gas



**Figura 9**

Esta unidad ha sido ajustada para operar con un múltiple de admisión para gas natural de 4" (1.0 kPa). Un regulador de presión convertible esta conectado a la válvula distribuidora y DEBE ser conectado en serie con la tubería de suministro de gas.

**Para la operación apropiada,** la máxima presión de entrada al regulador no debe exceder la presión de una columna de agua de 14 pulgadas (3.5 kPa).

La presión de entrada al regulador debe ser por lo menos 1 pulgada más grande que la válvula distribuidora (.25 kPa). El regulador ha sido ajustado para gas natural a 4 pulgadas de presión para la válvula distribuidora (1.0 kPa). La presión de entrada debe ser por lo menos de 5 pulgadas (1.25 kPa). Para propano líquido a 10 pulgadas de presión para la válvula distribuidora (2.5 kPa) la presión de entrada debe ser por lo menos de 11 pulgadas (2.75 kPa).



# INSTRUCCIONES DE INSTALACIÓN PARA LA ESTUFA DE FUEL DUAL DE 40"

## (Para modelos con un horno eléctrico y una estufa a gas)

La tubería debería ser equipada con una válvula de cierre aprobada (vea Figura 6). Esta válvula debe ubicarse en la misma habitación que la estufa en un lugar que permita una facilidad de abrir y cerrar. No bloquee el acceso a la válvula de cierre. La válvula es para abrir o cerrar el suministro de gas al aparato.

Abra la válvula de cierre en la línea de suministro de gas. Espere unos minutos a que el gas se mueva por el tubo.

El suministro de gas entre la válvula de cierre y el regulador se puede conectar con tubería rígida o con tubería flexible unión metálica conectada y aprobada por la C.S.A. donde los códigos locales permiten.

La tubería del suministro de gas puede pasar por la pared lateral del armario derecho. El armario lateral derecho es un lugar ideal para la válvula de cierre principal.

**⚠ PRECAUCION** No haga que la conexión esté demasiado apretada. El regulador está fundido a troquel. Aprietándolo demasiado podría romper el regulador resultando en escape de gas y posiblemente un incendio o explosión.

Monte el conector flexible desde el tubo de suministro de gas hasta el regulador de presión según este orden: 1- válvula de cierre manual, 2- adaptar de gas, 3-conector flexible, 4- adaptar de gas, 5- regulador de presión.

La tubería de suministro de gas debe ser de 1/2" o 3/4" D.I.

El consumidor debe saber la posición de la válvula principal de cierre y tener acceso fácil a ello.

Cuando se usa un conducto flexible en la estufa, permita suficiente flojedad como para sacar la estufa fuera del recortado para la limpieza y el servicio.

**NOTA:** No permita que el conducto se pellizque entre la pared y la estufa. Para verlo, saque el cajón.

Use un compuesto para juntas de tubería hecho para uso con gas natural y de LP/Propano para sellar todas las conexiones del gas. Si se usan los conectores flexibles asegúrese de que no estén enroscados.

**Para verificar si hay fugas en el electrodoméstico se debe de seguir las instrucciones del fabricante.**

**Asegúrese de que no haya escapes de gas.** Después de conectar la estufa al suministro de gas, compruebe el sistema con un manómetro. Si no tiene un manómetro, abra el gas y use un detector de fugas líquido en todas las juntas y conexiones para averiguar si hay escapes de gas.

**⚠ ADVERTENCIA** No use llama para controlar que no hayan pérdidas de gas. La comprobación de pérdidas de gas con una llama puede resultar en un incendio o explosión.

Se debe sellar todas las aberturas en la pared o el piso donde la estufa se instala.

**Apriete todas las conexiones** si hace falta para prevenir fugas de gas en la superficie de la estufa o en la línea de suministro.

**Asegúrese del alineamiento de las válvulas** después de conectar la superficie de la estufa con el suministro del gas para cerciorarse de que el tubo de escape no se haya movido.

**Desconecte esta estufa y su válvula individual de cierre** del sistema del suministro de gas durante cualquier prueba de presión de ese sistema a presiones mayores de 1/2 psig (3.5 kPa o 14" columna de agua).

### Conversión para uso de Propano Líquido

Este aparato puede ser usado con gas natural o propano líquido. Ha sido ajustado en la fábrica para operar con gas natural solamente.

Si desea convertir su estufa para uso con propano líquido, use los orificios provistos ubicados en el bolso que contiene la literatura titulada "FOR LP/PROPANE GAS CONVERSION", **localizado en la parte posterior del horno, cerca de la válvula del regulador del horno.** Siga las instrucciones que vienen con los orificios.

La conversión debe ser efectuado por un técnico de servicio capacitado, de acuerdo con las instrucciones del fabricante y con todos los códigos y requisitos de las autoridades correspondientes. El no seguir las instrucciones podría dar como resultado lesiones graves o daños a la propiedad. El organismo autorizado para llevar a cabo este trabajo asume la responsabilidad de la conversión.

**⚠ ADVERTENCIA** La falta de una conversión apropiada puede resultar en lesiones graves y daños a la propiedad.

**⚠ PRECAUCION** La instalación y el servicio de mantenimiento deben ser efectuados por un instalador calificado, la agencia de servicio o el proveedor de gas.

### La mudanza del aparato para reparaciones o limpieza

Apague la corriente eléctrica a la estufa a la fuente de poder principal, y apague la válvula de cierre manual de gas. Asegúrese de que la estufa esté fresca. Quite el cajón de servicio y abra la puerta del horno. Levante la frente de la estufa y deslícela fuera de la abertura sin crear tensión desmedida sobre el conducto flexible de gas.

**Aísle la estufa del sistema del suministro de gas** cerrando su válvula manual de cierre individual durante cualquier prueba de presión del suministro del gas a presiones iguales a menos de 1/2 psig (.5 kPa o 14" columna de agua).

Asegúrese de no pellizque el conducto flexible de gas detrás de la estufa al reemplazar la unidad en la abertura. Reemplace el cajón, cierre la puerta y enciende el gas y la corriente eléctrica a la estufa.

El regulador debe desconectarse antes de mover el aparato, si el regulador de la estufa se conecta a una cañería rígida.

Re ensamble en orden inverso (consulte Figura 9).

# INSTRUCCIONES DE INSTALACIÓN PARA LA ESTUFA DE FUEL DUAL DE 40"

(Para modelos con un horno eléctrico y una estufa a gas)

## Instalación de la estufa

### NOTA:

1. La parte trasera de la estufa puede ser directamente instalada a ras con la pared trasera de la estructura.
2. Para reducir posibles marcas o rayas de las paredes verticales y minimizar los riesgos de choques eléctricos en caso de condiciones de uso anormales como alto calor o no cazuelas, y para conformar a los requisitos de C.S.A., un espacio mínimo de 2 ½" (6.4 cm) debe de ser provisto en ambos lados de la plancha de cocinar.
3. Si una pared se encuentra en el lado izquierdo de la estufa, dejar 2 ¾" (7 cm) mín. par abrir la puerta auxiliar.

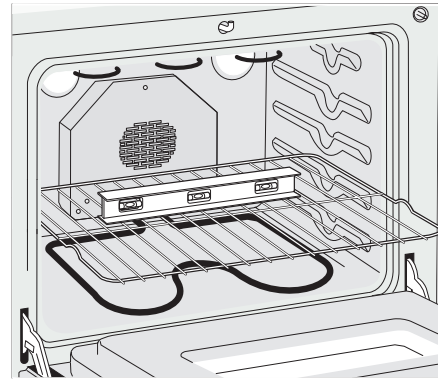


Figura 10

## ! PRECAUCION

### Peligro de Peso Excesivo

- Use 2 personas o más para mover e instalar la estufa.
- Si no cumple con esta instrucción, puede resultar en daño a la espalda u otra lesión.

## Preparación

1. Póngase guantes y anteojos de seguridad. Quite las parrillas del horno y paquete de piezas de adentro del horno. Quite materiales de empaque, cinta y película protectora de la estufa.
2. Tome las 4 esquinas de cartón de la caja de empaque. Colóquelas una encima de otra. Repita esta operación con las otras 2 esquinas. Coloque las esquinas longitudinalmente en el piso detrás de la estufa, para apoyarla.
3. Sujete firmemente la estufa y suavemente recuéstela en su respaldo, en las esquinas de cartón.
4. Quite los 4 pernos de empaque de la corredera. Descarte la corredera.
5. Ponga el cartón delante de la estufa. Cuidadosamente pare la estufa en el cartón.
6. Ajuste la patas de nivelación al punto en que la base de la estufa no toque el piso.

## Nivelación de la estufa

### Nivele la estufa y ajuste la altura de la estufa antes de instalarla en la abertura.

1. Coloque una parrilla del horno en el centro del horno.
2. Ponga un nivel sobre la parrilla (vea figura 9). Tome dos lecturas con el nivel puesto diagonalmente en una dirección y después en la otra. Nivele la estufa, si es necesario, ajustando las 4 patas niveladoras con una llave de tuercas (Figura 11).
3. Deslice la estufa en la abertura y verifique la nivelación otra vez. Si la estufa no es nivelada, tire la unidad hacia afuera y reajuste las patas niveladoras, o verifique que el piso sea nivelado.

## Comprobación del Funcionamiento

Consulte el [Manual del Usuario](#) incluido con la estufa para instrucciones de operación y instrucciones para el cuidado y limpieza de su estufa.

Quite todo el embalaje de la unidad antes de comprobarla.

### 1. Instalación de las tapas de quemadores

Esta plancha de cocinar está equipada con quemadores sellados como se muestra (Figura 11)

- A. Desembale las tapas de los quemadores y las bases.
- B. Coloque las bases de quemador sobre cada tubo de abertura de gas.
- C. Asegúrese que el quemador está correctamente alineado y nivelado. Coloque cada tapa del quemador debajo de cada base del quemador.

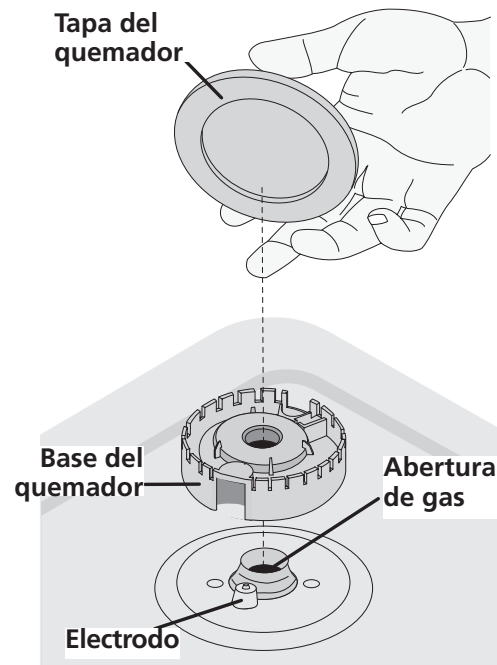


Figura 11

**NOTA:** No es necesario realizar ajustes en los quemadores de esta plancha de cocinar.

# INSTRUCCIONES DE INSTALACIÓN PARA LA ESTUFA DE FUEL DUAL DE 40"

(Para modelos con un horno eléctrico y una estufa a gas)

## 2. Enciende la corriente eléctrica y abre la válvula principal de cierre.

## 3. Comprobación de los Encendedores

El funcionamiento de los encendedores eléctricos debe ser comprobado después de que la estufa y los conectores a la tubería de suministro de gas hayan sido comprobados por escapes y la estufa haya sido conectada eléctricamente. Para comprobar que el encendido sea correcto:

- Empuje y gire una perilla del quemador superior hasta la posición LITE (encender). Se podría oír el encendedor haciendo chispas.
- El quemador se deberá encender en cuatro (4) segundos para un funcionamiento normal, luego de que el aire haya sido purgado de la tubería de suministro de gas. Controle visualmente que el quemador se hay encendido.
- Luego que el quemador se haya encendido, la perilla debe ser girada fuera de la posición LITE.

Cada quemador tiene su encendedor individual. Controle las perillas separadamente hasta que todas las válvulas hayan sido controladas.

## 4. Ajuste de la Posición LOW (BAJA) Para la Válvula del Quemador Superior (Figura 12)

- Gire la perilla a la posición LITE (encender) hasta que el quemador encienda.
- Rápidamente** gire la perilla a la POSICIÓN MAS BAJA.
- Si el quemador se apaga, reajuste la válvula de la siguiente forma: Mueva el control a la posición OFF (apagada). Saque la perilla de control del quemador superior, inserte un destornillador plano pequeño en el hueco del vástago del a válvula hasta enganchar el tornillo interior. El tamaño de la llama puede ser aumentado o disminuido girando el tornillo. Ajuste el tamaño de la llama hasta que pueda pasar rápidamente de la posición LITE hasta la posición MAS BAJA sin que se apague la llama. La llama debe ser lo más pequeña posible sin que se apague.

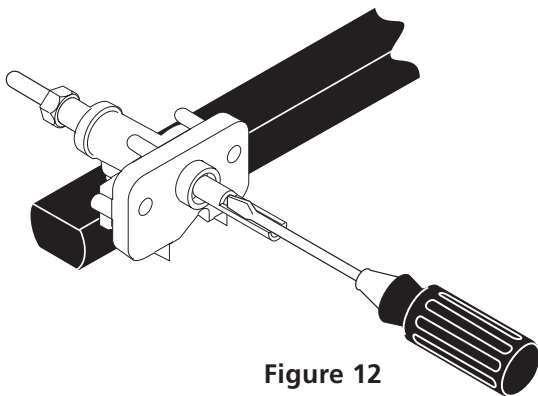


Figure 12

## 5. Funcionamiento de los Elementos del Horno

El horno está equipado con un control electrónico. Cada función ha sido probada en la fábrica antes del transporte. Sin embargo, sugerimos que Ud. verifique el funcionamiento de los controles del horno una vez más. Véase el Manual del Usuario para la operación. Siga las instrucciones par el Reloj, Minutero, Cocer, Asar, Convección (algunos modelos) y las funciones de limpieza (algunos modelos).

### ⚠ PRECAUCION

Al verificar el funcionamiento de elemento de horno, no toque los elementos. Ellos tendrán el calor bastante para causar las quemaduras serias.

**Cocer/Bake**—Después de poner el horno a 350°F (177°C) para cocer, el elemento inferior debe ponerse rojo

**Asar/Broil**—Cuando está puesto para BROIL, el elemento superior se debe poner rojo.

**Limpieza/Clean**—Cuando el horno está puesto para un ciclo de auto-limpieza, el elemento superior se pondrá rojo durante el período de precalentamiento del ciclo. Después de alcanzar la temperatura de auto-limpieza , el elemento inferior se pondrá rojo.

**Convección/Convection**—Cuando el horno se pone a CONV. BAKE/ROAST a 350°F (177°C), los dos elementos se enciendan y se apagan alternando en un ciclo y el ventilador se pone en marcha. El ventilador de convección se parará cuando se abre la puerta del horno durante el cocido o el asado por convección.

## Después de Terminar la Instalación

Asegúrese de que todos los controles estén en la posición OFF (apagada).

## Antes de Llamar al Servicio

Lea la sección Lista de control de averías en su Manual del Usuario. Esto le podrá ahorrar tiempo y gastos. Esta lista incluye ocurrencias comunes que no son el resultado de defectos de materiales o fabricación de este artefacto.

Lea la garantía y la información sobre el servicio en su Manual del Usuario para obtener el número de teléfono gratuito y la dirección del servicio. Por favor llame o escriba si tiene preguntas acerca de su estufa o necesita repuestos.

# INSTRUCCIONES DE INSTALACIÓN PARA LA ESTUFA DE FUEL DUAL DE 40"

(Para modelos con un horno eléctrico y una estufa a gas)

## Importante Advertencia de Seguridad

Para reducir el riesgo de que la estufa se vuelque, es necesario asegurarla al piso instalando los soportes antivuelco y los tornillos suministrados con la estufa. Las piezas se encuentran en un saco de plástico en el horno. Si no se instalan los soportes antivuelco, la estufa se puede volcar si se coloca exceso de peso en una puerta abierta o si un niño se sube a ella. Se pueden ocasionar lesiones graves causadas por los líquidos calientes derramados o por la estufa misma.

Siga las instrucciones que más abajo se indican para instalar los soportes antivuelco.

Si la estufa es movida a otro lugar, los soportes antivuelco deben también ser movidos e instalados en la estufa. Para controlar la instalación apropiada, vea el paso número 5.

### Herramientas Necesarias:

Llave de tuerca de 5/16" (8 mm) Llave inglesa  
 Taladro eléctrico  
 Broca de 3/16" (4.8 mm) de diámetro  
 Broca para taladro de mampostería de 3/16" (4.8 mm) de diámetro. (si se está instalando en concreto).

## Instrucciones de Instalación del Soporte Antivuelco

Los soportes se fijan al suelo en la parte trasera de la estufa para sujetar ambos niveladores de las patas traseras. Cuando los esté instalando al piso, asegúrese de que los tornillos no penetren el alambreado eléctrico o plomería. Los tornillos provistos pueden utilizarse en madera o concreto.

1. Desdoble la plantilla de papel y colóquela plana en el piso con los bordes laterales y el trasero colocados

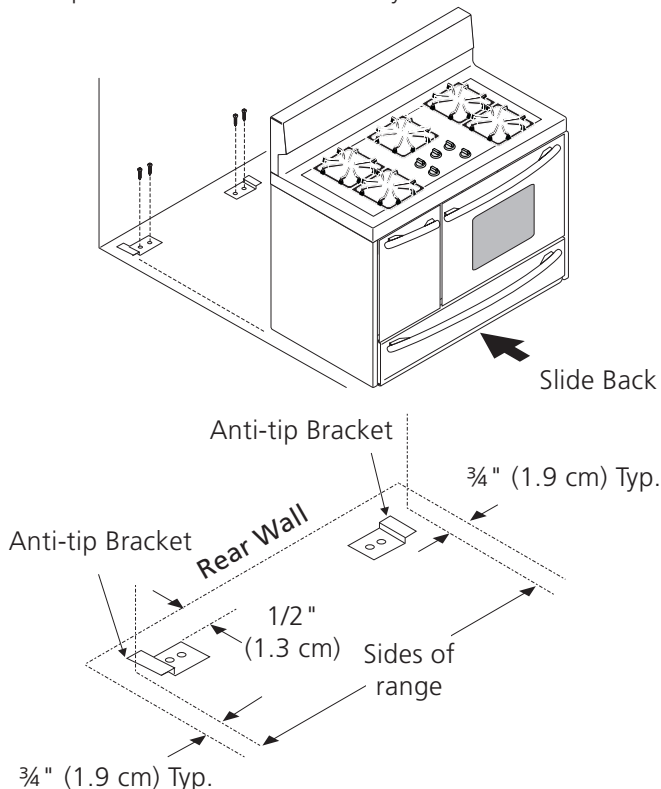


Figure 13

exactamente donde la parte trasera y los lados de la estufa serán colocados cuando sea instalada. (Use el diagrama figura 13 para ubicar los soportes si no se dispone de la plantilla).

2. Marque en el piso la ubicación de los 4 agujeros de montaje como se muestra en la plantilla. Para facilitar la instalación, se pueden taladrar agujeros piloto de 3/16" (4.8 mm) de diámetro y 1/2" (1.3 cm) de profundidad en el piso.
3. Saque la plantilla y coloque los soportes en el piso con la brida hacia arriba dirigida hacia el frente. Alinee los agujeros en los soportes con las marcas en el piso y sujete con los 4 tornillos provistos. Los soportes deben estar asegurados al piso firme. Si se va a instalar en piso de concreto, primero debe taladrar agujeros guía de 3/16" (4.8 mm) de diámetro usando una broca para taladro de mampostería.
4. Nivele la estufa si es necesario ajustando las cuatro patas niveladoras con una llave (Ver la Figura 14 abajo). Se requiere un espacio libre mínimo de 1/8" (3.2 mm) entre la parte inferior de la estufa y los niveladores de las patas traseras para dejar espacio para los soportes antivuelco.
5. Deslice la estufa a su lugar asegurándose de que las patas traseras estén sujetas por los extremos de los soportes. La estufa puede necesitar ser movida ligeramente a un lado cuando está siendo empujada hacia atrás para permitir que las patas se alineen con los soportes.
6. Después de haber realizado la instalación verifique que la fijación de montaje esté empotrada. Abra la gaveta, retire la gaveta y verifique para asegurarse que está empotrada.

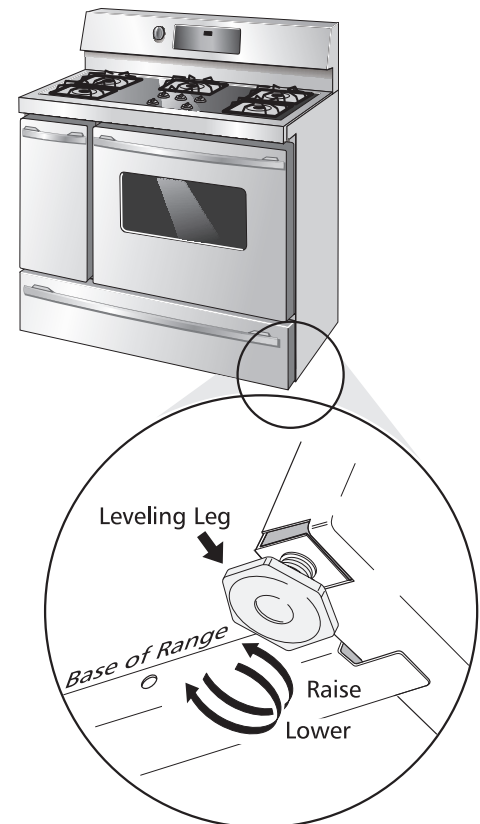


Figure 14

# INSTRUCCIONES DE INSTALACIÓN PARA LA ESTUFA DE FUEL DUAL DE 40"

(Para modelos con un horno eléctrico y una estufa a gas)

Notes/ Notas

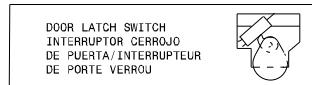
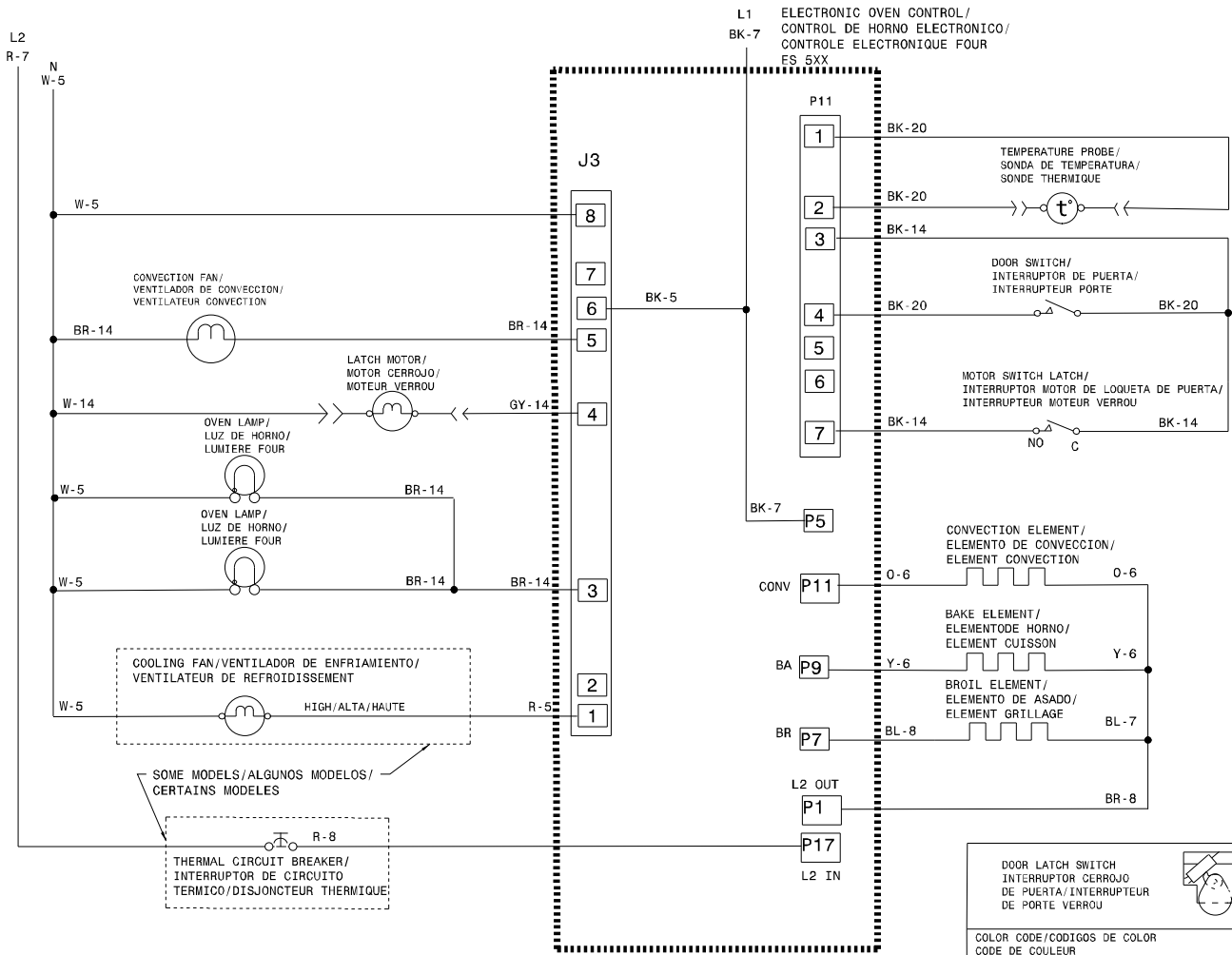
**INSTRUCCIONES DE INSTALACIÓN PARA LA ESTUFA DE FUEL DUAL DE 40"**  
(Para modelos con un horno eléctrico y una estufa a gas)

Notes/ Notas

# WIRING DIAGRAM - DIAGRAMA DE LA INSTALACIÓN ALÁMBRICA

(Models with Electric Ovens and Gas Cooktop - Para modelos con un horno eléctrico y una estufa a gas)

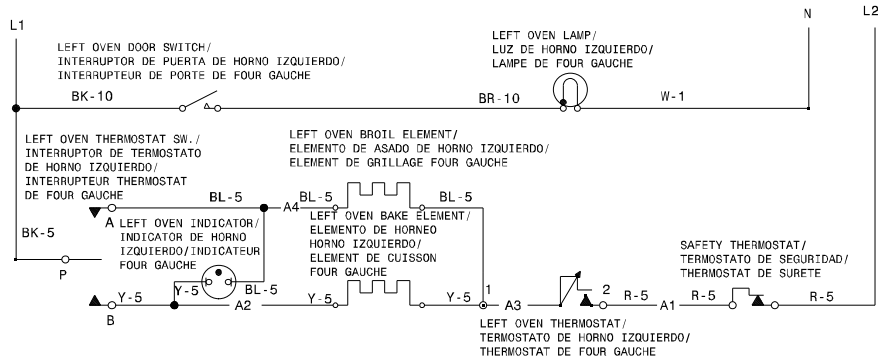
## OVEN CIRCUIT // CIRCUITO DE HORNO // CIRCUIT FOUR



**COLOR CODE / CODIGOS DE COLOR / CODE DE COULEUR**

GY - GREY / GRIS / GRIS  
 G - GREEN / VERDE / VERT  
 W - WHITE / BLANCO / BLANC  
 R - RED / ROJO / ROUGE  
 O - ORANGE / NARANJA / ORANGE  
 Y - YELLOW / AMARILLO / JAUNE  
 BR - BROWN / CAFE / BRUN  
 BL - BLUE / AZUL / BLEU  
 BK - BLACK / NEGRO / NOIR

## AUXILIARY OVEN // HORNO LATERAL // FOUR AUXILIAIRE



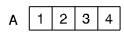
CODE	GAUGE	TEMP. °C	CSA	UL
CODIGO	MEDIDA			
CODE	CALIBRE			
1	18	125	CL1251	3173
2	16	125	CL1251	3173
3	14	125	CL1251	3173
4	12	125	CL1251	3173
5	18	150	EXL-150	3321
6	16	150	EXL-150	3321
7	14	150	EXL-150	3321
8	12	150	EXL-150	3321
9	10	150	EXL-150	3321
10	18	200	SEW-1	3122
11	16	200	SEW-1	3122
12	12	250		3252
13	16	250		3252
14	20	150	EXL-150	3321
15	8	150	EXL-150	3321
16	8	60		
17	10	60		
18	10	200	SEW-1	3122
19	20	125	CL1251	3173
20	20	200	SEW-1	3122
21	22	125		3266
22	22	150		10109
23	18	200		3573
34	16	200		3512
35	18	200		3512
37	14	200		3512
41	20	200		3512

**CAUTION: DISCONNECT POWER BEFORE SERVICING UNIT.**  
 LABEL ALL WIRES PRIOR TO DISCONNECTION WHEN SERVICING CONTROLS.  
 WIRING ERRORS CAN CAUSE IMPROPER AND DANGEROUS OPERATION.  
 VERIFY PROPER OPERATION AFTER SERVICING.

**ATENCION: CORTAR LA CORRIENTE ANTES DE REALIZAR EL MANTENIMIENTO DEL ELECTRODOMESTICO.**  
 ETIQUETE TODOS LOS CABLES ANTES DE DESCONECTAR CUANDO HAGA EL SERVICIO A LOS CONTROLES.  
 ERRORES AL VOLVER A ENSAMBLAR LOS CABLES PUEDE CAUSAR FALLAS U OPERACIONES PELIGROSAS.  
 VERIFIQUE LA CORRECTA OPERACION DESPUES DEL SERVICIO.

**ATTENTION: COUPEZ L'ALIMENTATION AVANT D'EFFECTUER LA REPARATION.**  
 IDENTIFIEZ TOUS LES FILS AVANT DE LES DEBRANCHER QUAND L'APPAREIL EST HORS SERVICE.  
 LES ERREURS DE CONNECTION DE FILS PEUVENT CAUSER UN MAL FONCTIONNEMENT ET UN DANGER  
 D'USAGE DE L'APPAREIL. VERIFIEZ LE BON FONCTIONNEMENT DE L'APPAREIL APRES LE SERVICE.

CONNECTOR /  
 CONNECTOR /  
 CONNECTEUR



**318045341 REV:A**  
**PAGE: 1 / 2**

