

FRIGIDAIRE

GALLERY®



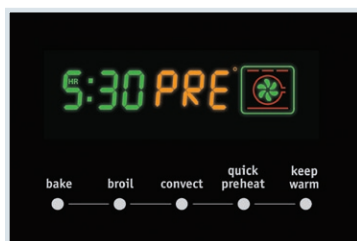
Microwave Combination Ovens

FGMC2765K W/B

27" Electric

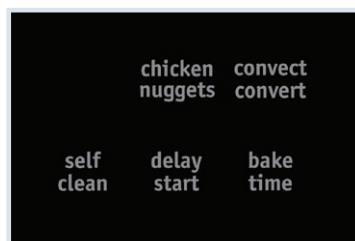


Signature Features



Quick Preheat

Preheat in less than six minutes.¹



Effortless™ Convection

Takes the guesswork out of convection cooking — our oven does the converting for you.



True Convection

Multi-rack baking is faster and more even with True Convection.



Fits-More™ Microwave Oven

Extra-large microwave provides 2.0 cu. ft. of cooking space.

Product Dimensions

Height	42-3/4"
Width	27"
Depth	24-1/2"

More Easy-To-Use Features

Effortless™ Reheat

Reheat almost anything with the touch of a button.

Express-Select® Controls

Easily set cooking temperature or choose one-touch cooking options.

One-Touch Keep Warm Setting

Just one touch of a button keeps food warm until everything — and everyone — is ready.

One-Touch Options

Our ovens feature easy-to-use one-touch buttons so you can cook pizza or chicken nuggets — or even add a minute to the timer — with the touch of a button.

SpaceWise® Half Rack

Flexible rack system that adjusts to cook multiple dishes at once. Remove the half rack and you'll have extra height for tall dishes.

Chicken Nugget Button

Easily bake perfect chicken nuggets with the touch of a button.

Pizza Button

Easily bake perfect pizza with the touch of a button.

Even Baking Technology

Our latest technology ensures even baking every time.

Add-a-Minute

Easily add a minute to the oven timer in the middle of a cycle without resetting.

Sabbath Mode (Star-K® Certified)

Available in:



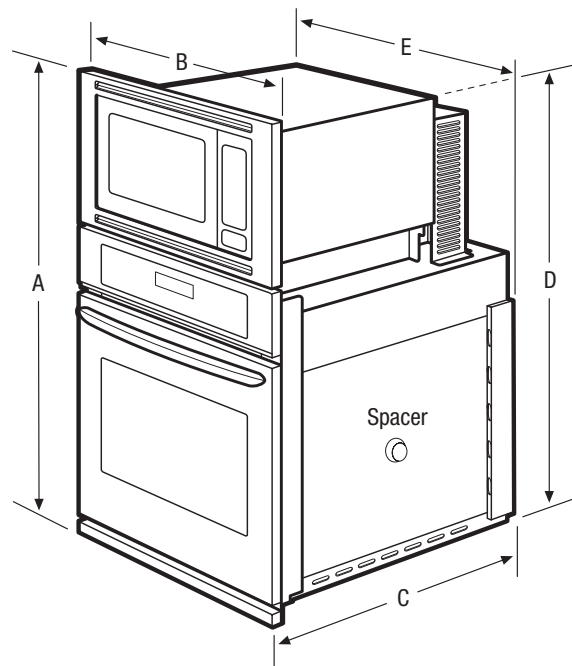
White
(W)



Black
(B)

¹Based on single rack cooking performance, not set temperature, using Quick Preheat.

Features	
Control/ Timing System	Express-Select*
Exterior Door Finish	Color-Coordinated
Handle Design	Color-Coordinated
Microwave Features	
Microwave Capacity (Cu.Ft.)	2.0
Window	Large
Interior Light	Yes
Interior Color	White
Turntable Diameter	16"
Turntable On/Off	Yes
Control Lock/Clock	Yes/Yes
Touch Pad Buttons	28
Power Levels	10
Microwave Control Options	
Popcorn Button	Yes
Chicken Nugget Button	Yes
Baked Potato Button	Yes
Reheat Button/Snack Button	Yes/Yes
Auto Melt/Soften Options	4
Auto Reheat Options	3
Snack Menu Options	3
Auto Cook Options	3
Auto Defrost Options	6
Keep Warm/Add-30-Seconds	Yes/Yes
Sensor Cooking Options	5
Vegetable Cook Sensor	Yes
Delay Start/User Preferences	Yes/Yes
Oven Features	
Oven Capacity (Cu.Ft.)	3.5
Oven Window	Extra-Large
Oven Lights	2
Hidden Bake Element	Yes
Convection System	True Convection
Baking System	Even Baking Technology
Broiling System	Power Broil
Quick Preheat	Yes
Bake/Broil Element (Watts)	1,450/3,400
Oven Rack Configuration	1 Heavy Duty, 1 SpaceWise® Half Rack, 1 Offset Rack
Oven Cleaning System	Quick Clean
Oven Controls	
Convection Conversion	Effortless™
My Favorite	
Chicken Nugget Button	Yes
Pizza Button	Yes
Keep Warm/Add-a-Minute	Yes/Yes
Optional Accessories	
3"-High White Bottom Trim	PN # 903114-9011
3"-High Black Bottom Trim	PN # 903114-9010
Certifications	
Sabbath Mode (Star-K® Certified)	Yes
Specifications	
Microwave Oven Interior (H x W x D)	10-1/2" x 17-3/8" x 18-5/8"
Oven Interior (H x W x D)	16-1/2" x 20-1/2" x 18-1/32"
Power Supply Connection Location	Middle Bottom Rear
Voltage Rating	240V/208V/60Hz
Connected Load (kW Rating) @ 240/208 Volts	6.4/5.6
Amps @ 240/208 Volts	26.7/26.9
Minimum Circuit Required (Amps)	30
Shipping Weight (Approx.)	215 Lbs.



NOTE: For planning purposes only. Always consult local and national electric codes. Refer to Product Installation Guide for detailed installation instructions on the web at frigidaire.com.



Product Dimensions	
A - Height	42-3/4"
B - Width	27"
C - Depth	24-1/2"
D - Height (Wrapper)	40-15/16"
E - Width (Wrapper)	24-5/8"
Depth with Door Open 90°	45-1/2"

Cutout Dimensions	
Height (Min.)/(Max.)	41-1/8" / 41-1/4"
Width (Min.)/(Max.)	24-7/8" / 25-1/4"
Depth (Min.)	23-1/2"

Accessories information available on the web at frigidaire.com

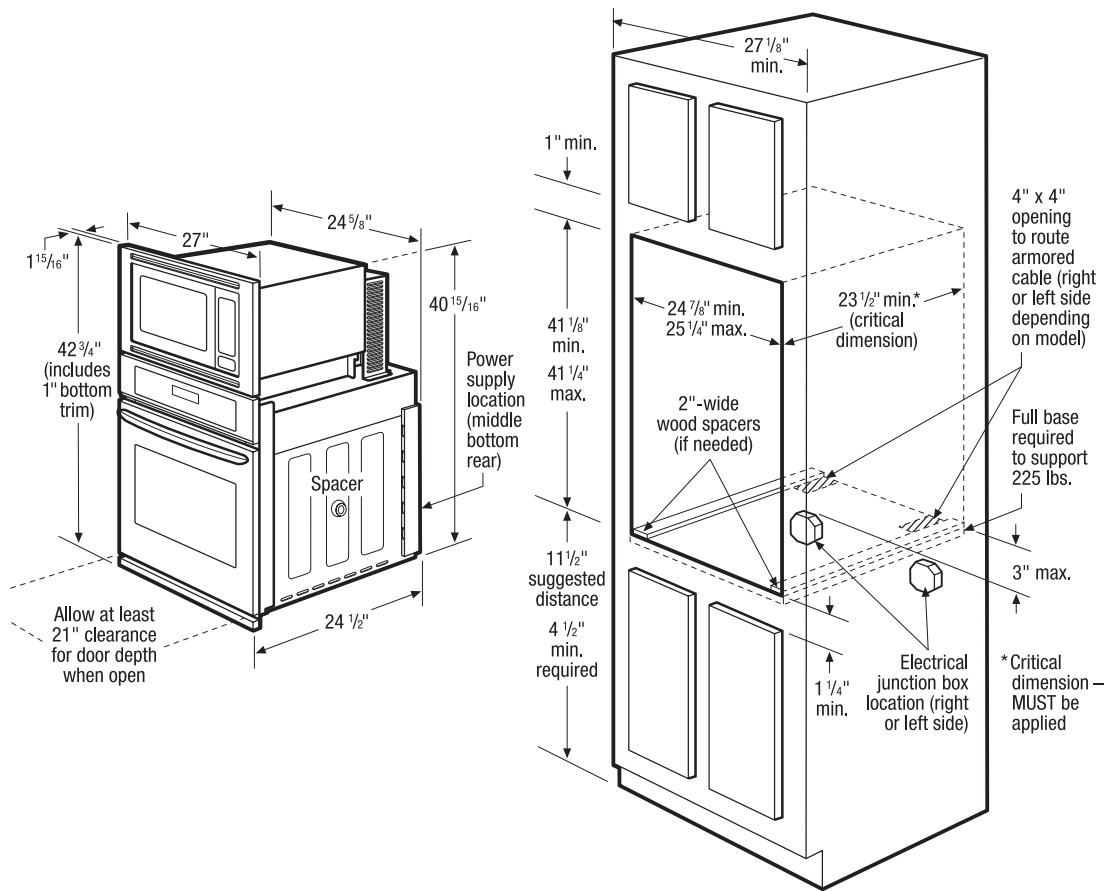
FRIGIDAIRE

USA • 10200 David Taylor Drive • Charlotte, NC 28262 • 1-800-FRIGIDAIRE • frigidaire.com
CANADA • 5855 Terry Fox Way • Mississauga, ON L5V 3E4 • 1-800-265-8352 • frigidaire.ca

FGMC3065K 01/12

© 2012 Electrolux Home Products, Inc.

Specifications subject to change.



Microwave Combination Oven Specifications

- Product Shipping Weight (approx.) - 215 Lbs.
- Single phase 3- or 4-wire cable, 120/240 or 120/208 Volt, 60 Hertz AC only electrical supply with ground required on separate circuit fused on both sides of line.
- Connected Load (kW Rating) @ 240/208 Volts = 6.4/5.6kW
- Amps @ 240/208 Volts = 26.7/26.9 Amps
- Recommended Circuit Breaker - 30 Amps
- Always consult local and national electric codes.
- Minimum 21" clearance for oven door depth when open.
- Suggested distance from floor is 11-1/2". Minimum required distance is 4-1/2".
- To adapt Microwave Combination Oven to fit cutout height greater than 41-11/16", add one 2"-wide wood shim of appropriate height to each side of opening under oven side rails. Lifting oven will hide larger cutout opening at top and oven's 1"-high bottom trim will hide shims at bottom. (Standard 1"-High Bottom Trim included.)

- To adapt Microwave Combination Oven to fit cutout height greater than 42-3/16", optional 3"-High Bottom Trim available.
- Minimum 23-1/2" deep cutout dimension is critical for proper installation, to ensure that oven's faceplate will fit flush against cabinet front.
- Full oven base of solid plywood or similar material required, capable of supporting 225 Lbs.
- Base must be level and cabinet front must be square.
- Microwave Combination Ovens are NOT approved to be used in stackable or side-by-side installation.

Note: For planning purposes only. Refer to Product Installation Guide on the web at frigidaire.com for detailed instructions.

Optional Accessories

- 3"-High White Bottom Trim - (PN# 903114-9011).
- 3"-High Black Bottom Trim - (PN# 903114-9010).

Use these dimensions and clearance instructions for planning purposes only. For detailed installation instructions, refer to installation guide, packed with product, or on the web at frigidaire.com.



When installing appliances adjacent to each other, 20" minimum distance between each appliance required.

When installing built-in cooking appliances in combination, 2" minimum visible gap between appliance faceplates required.



When installing side-by-side refrigerator adjacent to wall, cabinet or another appliance that extends beyond front edge of unit, 20" minimum clearance recommended to allow for optimum 120° to 180° door swing, providing complete drawer/crisper access and removal.

When installing appliance with sliding drawer, swinging or drop-down door directly across from obstructions, provide sufficient clearance for drawer extension or door swings.



When installing appliance with sliding drawer or drop-down door directly across from obstructions, provide sufficient clearance for drawer extension or door swing.

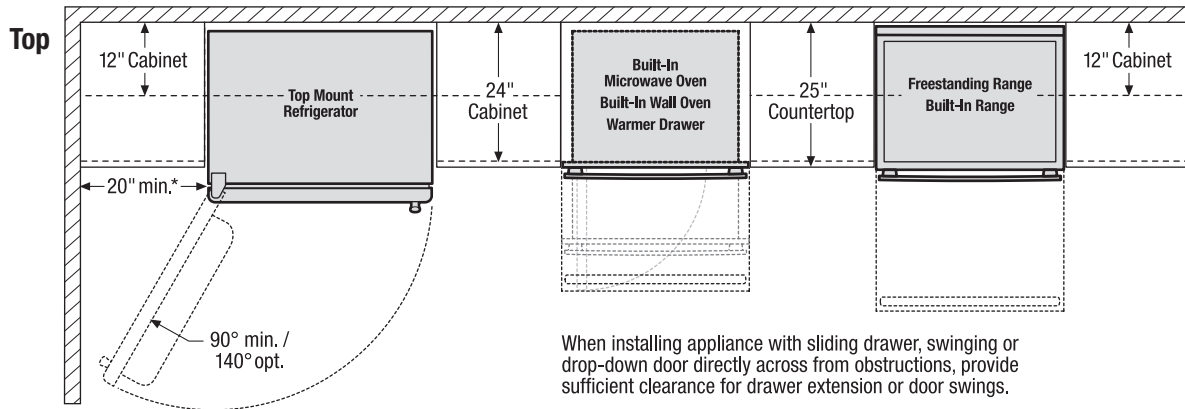
When installing appliance with sliding drawer or drop-down door adjacent to wall, cabinet, or other obstruction that extends beyond front edge of appliance, allow 2" minimum clearance between drawer or door and obstruction.

Use these dimensions and clearance instructions for planning purposes only. For detailed installation instructions, refer to installation guide, packed with product, or on the web at frigidaire.com.



When installing appliances adjacent to each other, 20" minimum distance between each appliance required.

When installing built-in cooking appliances in combination, 2" minimum visible gap between appliance faceplates required.



*When installing refrigerator adjacent to wall, cabinet or other appliance that extends beyond front edge of unit, 20" minimum clearance recommended to allow for optimum 140° door swing, providing complete crisper access and removal. (Absolute 3" minimum clearance will ONLY allow for 90° door swing which will provide limited crisper access with restricted removal.)

When installing appliance with sliding drawer, swinging or drop-down door directly across from obstructions, provide sufficient clearance for drawer extension or door swings.



When installing appliance with sliding drawer or drop-down door directly across from obstructions, provide sufficient clearance for drawer extension or door swing.

When installing appliance with sliding drawer or drop-down door adjacent to wall, cabinet, or other obstruction that extends beyond front edge of appliance, allow 2" minimum clearance between drawer or door and obstruction.

