

FRIGIDAIRE

GALLERY



Single Wall Ovens

FGEW2765K F/W/B

27" Electric



Product Dimensions

Height	29"
Width	27"
Depth	24-1/2"

More Easy-To-Use Features

SpaceWise® Half Rack

Flexible rack system that adjusts to cook multiple dishes at once. Remove the half rack and you'll have extra height for tall dishes.

One-Touch Keep Warm Setting

Just one touch of a button keeps food warm until everything — and everyone — is ready.

Smudge-Proof Stainless Steel²

Protective coating reduces fingerprints and smudges so it's easy to clean.

Effortless™ Convection

Takes the guesswork out of convection cooking — our oven does the converting for you.

Even Baking Technology

Our latest technology ensures even baking every time.

Auto Oven Shut-Off

As an extra safety measure, the oven will automatically shut off after six hours.

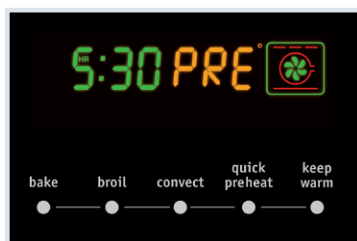
Power Broil

Added power means you can broil food more evenly.

One-Touch Self Clean

Start the self-cleaning cycle with just the touch of a button.

Signature Features



Quick Preheat

Preheat in less than six minutes.¹



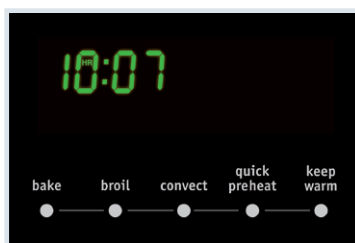
True Convection

Multi-rack baking is faster and more even with True Convection.



Express-Select® Controls

Easily set cooking temperature or choose one-touch cooking options.



One-Touch Options

Our ovens feature easy-to-use one-touch buttons so you can cook pizza or chicken nuggets — or even add a minute to the timer — with the touch of a button.

A.D.A. Compliant³

Sabbath Mode (Star-K® Certified)

Available in:



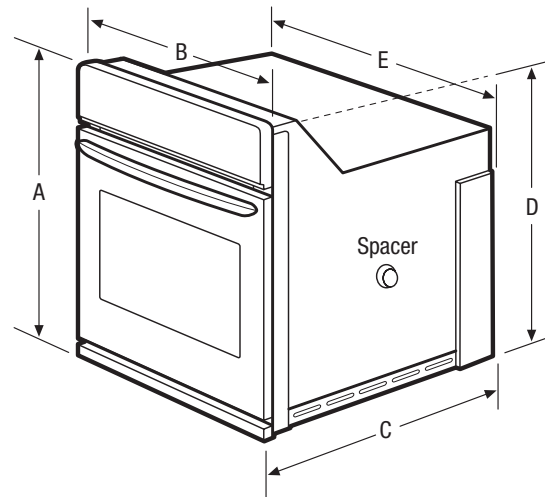
¹Based on single rack cooking performance, not set temperature, using Quick Preheat.

²Select models only.

³When properly installed, meets the appliance standards in the Americans with Disabilities Act and the Architectural Barriers Act Accessibility Guidelines as published by the United States Access Board on June 23, 2004, as amended August 5, 2005.

Features	
Oven Control/Timing System	Express-Select*
Window	Extra-Large
Exterior Door Finish	Smudge-Proof Stainless Steel (F), Color-Coordinated (W/B)
Handle Design	Stainless Steel (F), Color-Coordinated (W/B)
Oven Cleaning System	Self Clean
Oven Controls	
Bake/Broil	Yes/Variable (400 - 500 °F)
Effortless™ Convection Conversion	Yes
Convection Bake/Broil/Roast	Yes/Yes/Yes
Oven Preheat	Quick
My Favorite	
Chicken Nugget Button	Yes
Pizza Button	Yes
Keep Warm	Yes
Add-a-Minute	Yes
Delay Start	Yes
Self-Clean	Yes
Clean Option	Quick
Delay Clean	2, 3, 4 Hours
Kitchen Timer	Yes
Timed Cook Option	Yes
Control Lock	Yes
Auto Oven Shut-Off	Yes
Oven Lock-Out	Yes
Oven Features	
Capacity (Cu. Ft.)	3.5
Convection System	True Convection
Oven Light	2
Hidden Bake Element	Yes
Rack Configuration	1 Heavy Duty, 1 SpaceWise® Half Rack, 1 Offset Rack
Baking System	Even Baking Technology
Broiling System	Power Broil
Bake/Broil Element (Watts)	1,450/3,400
Optional Accessories	
3"-High Bottom Trim - Stainless Steel (F)/White (W)/Black (B)	(F) PN# 903114-901S (W) PN# 903114-901I (B) PN# 903114-901O
Certifications	
A.D.A. Compliant ¹	Yes
Sabbath Mode (Star-K® Certified)	Yes
Specifications	
Oven Interior (H x W x D)	16-1/2" x 20-1/2" x 18-1/32"
Power Supply Connection Location	Left Bottom Rear
Voltage Rating	240V/208V/60Hz
Connected Load (kW Rating) @ 240/208 Volts	4.1/3.1
Amps @ 240/208 Volts	17.1/14.9
Minimum Circuit Required (Amps)	20
Approved for Under-Counter Installation	Yes
Shipping Weight (Approx.)	155 Lbs.

¹When properly installed, meets the appliance standards in the Americans with Disabilities Act and the Architectural Barriers Act Accessibility Guidelines as published by the United States Access Board on June 23, 2004, as amended August 5, 2005.



NOTE: For planning purposes only. Always consult local and national electric codes. Refer to Product Installation Guide for detailed installation instructions on the web at frigidaire.com.



Product Dimensions	
A - Height	29"
B - Width	27"
C - Depth	24-1/2"
D - Height (Wrapper)	27-3/16"
E - Width (Wrapper)	24-5/8"
Depth with Door Open 90°	44-1/2"

Cutout Dimensions	
Height (Min.)/(Max.)	27-1/4" / 28-5/8"
Width (Min.)/(Max.)	24-7/8" / 25-1/4"
Depth (Min.)	23-1/2"

Accessories information available on the web at frigidaire.com

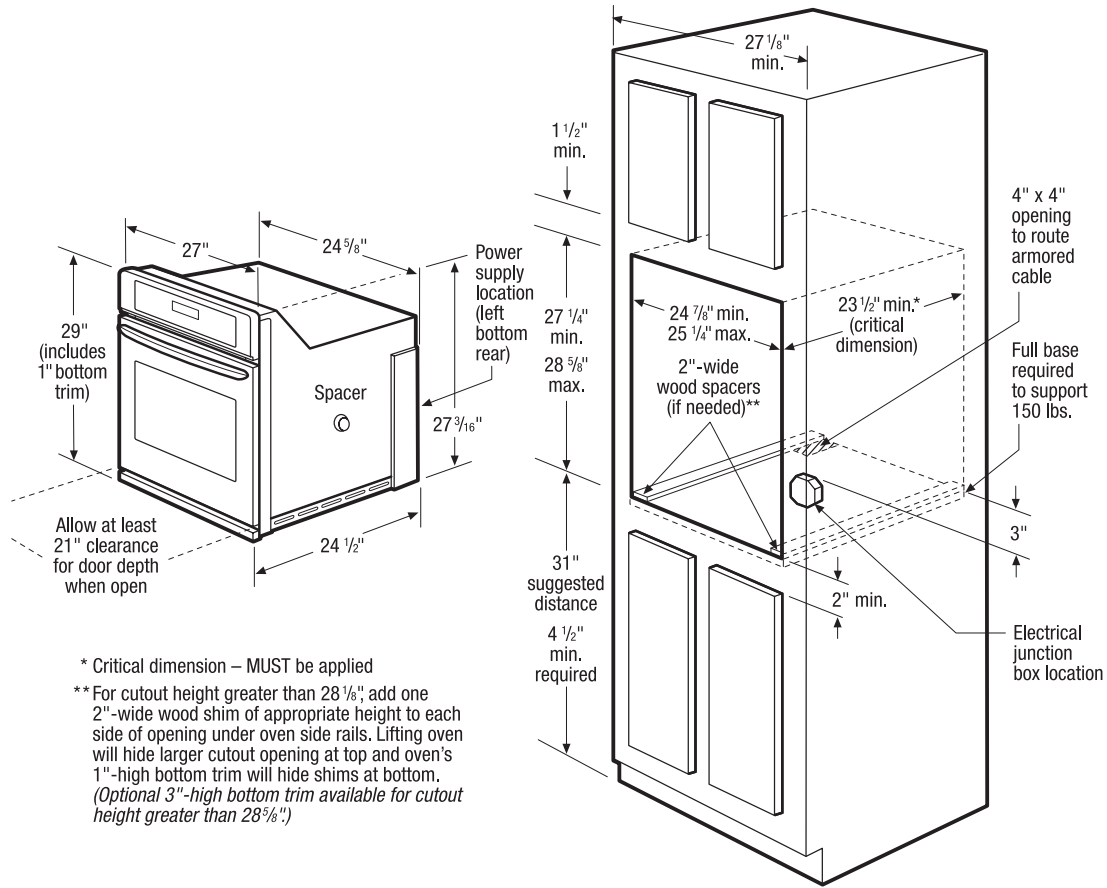
FRIGIDAIRE

USA • 10200 David Taylor Drive • Charlotte, NC 28262 • 1-800-FRIGIDAIRE • frigidaire.com
CANADA • 5855 Terry Fox Way • Mississauga, ON L5V 3E4 • 1-800-265-8352 • frigidaire.ca

FGEW2765K 02/12

© 2012 Electrolux Home Products, Inc.

Specifications subject to change.



Single Wall Oven Specifications

- Product Shipping Weight (approx.) - 155 Lbs.
- Single phase 3- or 4-wire cable, 120/240 or 120/208 Volt, 60 Hertz AC only electrical supply with ground required on separate circuit fused on both sides of line.
- Connected Load (kW Rating) @ 240/208 Volts = 4.1/3.1kW
- Amps @ 240/208 Volts = 17.1/14.9 Amps
- Recommended Circuit Breaker - 20 Amps
- Always consult local and national electric codes.
- Minimum 21" clearance for oven door depth when open.
- Suggested distance from floor is 31". Minimum required distance is 4-1/2".
- Minimum 23-1/2" deep cutout dimension is critical for proper installation, to ensure that oven's faceplate will fit flush against cabinet front.
- To adapt oven to fit cutout height greater than 28-1/8", add one 2"-wide wood shim of appropriate height to each side of opening under oven side rails. Lifting oven will hide larger cutout opening at top and oven's 1"-high bottom trim will hide shims at bottom. (Standard 1"-High Bottom Trim included.)
- To adapt oven to fit cutout height greater than 28-5/8", optional 3"-High Bottom Trim available.

- Full oven base of solid plywood or similar material required, capable of supporting 150 Lbs.
- Base must be level and cabinet front must be square.
- Single Wall Ovens are NOT approved to be used in stackable or side-by-side installation.
- Single Wall Ovens are approved to be used alone in under-counter installation or beneath any approved Frigidaire® gas or electric cooktop. (Refer to Gas or Electric Cooktop Installation Over 30"/27" Electric Single Wall Oven Specifications pages on web.)
- Single Wall Ovens are approved to be used in combination with any Frigidaire® Warmer Drawer. (Refer to model-specific Warmer Drawer product page for Combination Installation Specifications.)
- Single Wall Ovens are approved to be used in combination with any Frigidaire® Built-In Microwave Oven.

Note: For planning purposes only. Refer to Product Installation Guide on the web at frigidaire.com for detailed instructions.

Optional Accessories

- 3"-High Stainless Steel Bottom Trim - (PN# 903114-901S).
- 3"-High White Bottom Trim - (PN# 903114-9011).
- 3"-High Black Bottom Trim - (PN# 903114-9010).



For detailed product dimensions and installation specifications, refer to model-specific product page and installation guide on web

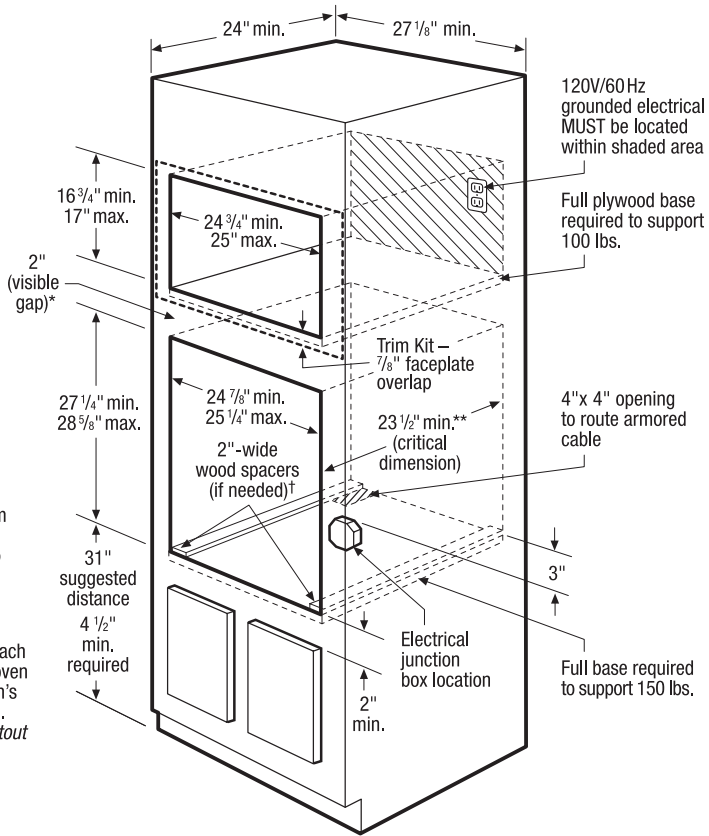
27" Built-In Microwave Cutout

For Frigidaire® models with 27" Trim Kit: FPMO209K FGMO205K

27" Electric Single Wall Oven Cutout

For all 27" Frigidaire® models (excluding model GLEB27Z7H)

- * Minimum 27/8" clearance required from bottom of Built-In Microwave cutout to top edge of Wall Oven's faceplate, leaving a 2" visible gap between both product faceplates.
- ** Critical dimension – MUST be applied
- † For cutout height greater than 28 1/8", add one 2"-wide wood shim of appropriate height to each side of opening under oven side rails. Lifting oven will hide larger cutout opening at top and oven's 1"-high bottom trim will hide shims at bottom. (Optional 3"-high bottom trim available for cutout height greater than 28 5/8".)



27" Combination Installation Specifications

- Always consult local and national electric codes. (Refer to product-specific electrical specifications on this page.)
- Minimum 23-1/2" deep cutout dimension is critical for proper combination installation, to ensure that each built-in product's faceplate will fit flush against cabinet front.
- Bases must be level and cabinet front must be square.
- Minimum 4-1/2" required distance from bottom of Wall Oven cutout to floor, 31" suggested.
- Respect critical dimensions as noted for proper installation of built-in products.
- Minimum 21" clearance needed for Wall Oven door depth when open.

27" Built-In Microwave Specifications

- For built-in installation, microwave MUST be installed with optional 27" Trim Kit which includes Bottom Duct Assembly – shipped in separate box, ordered by individual part number.
- Voltage Rating – 120V / 60 Hz / 15 or 20 Amps
- Connected Load (kW Rating) @ 120 Volts = 1.7 kW (For use on adequately wired 120V, dedicated circuit having 2-wire service with a separate ground wire. Appliance must be grounded for safe operation.)
- Amps @ 120 Volts = 14.3 Amps
- Full oven base of solid plywood or similar material required, capable of supporting 100 Lbs.
- Minimum 2-7/8" clearance required from bottom of Built-In Microwave cutout to top edge of Wall Oven's faceplate, leaving a 2" visible gap between both product faceplates.

27" Electric Single Wall Oven Specifications

- Single phase 3- or 4-wire cable, 120/240 or 120/208 Volt, 60 Hertz AC only electrical supply with ground required on separate circuit fused on both sides of line.
- For detailed electrical requirements, refer to model-specific product page and installation guide on web.
- Full oven base of solid plywood or similar material required, capable of supporting 150 Lbs.
- To adapt oven to fit cutout height greater than 28-1/8", add one 2"-wide wood shim of appropriate height to each side of opening under oven side rails. Lifting oven will hide larger cutout opening at top and oven's 1"-high bottom trim will hide shims at bottom. (Standard 1"- High Bottom Trim included.)
- To adapt oven to fit cutout height greater than 28-5/8", optional 3"- High Bottom Trim available.

Note: For planning purposes only. Refer to Product Installation Guide on the web at frigidaire.com for detailed instructions.

For detailed product dimensions and installation specifications, refer to model-specific product page and installation guide on web

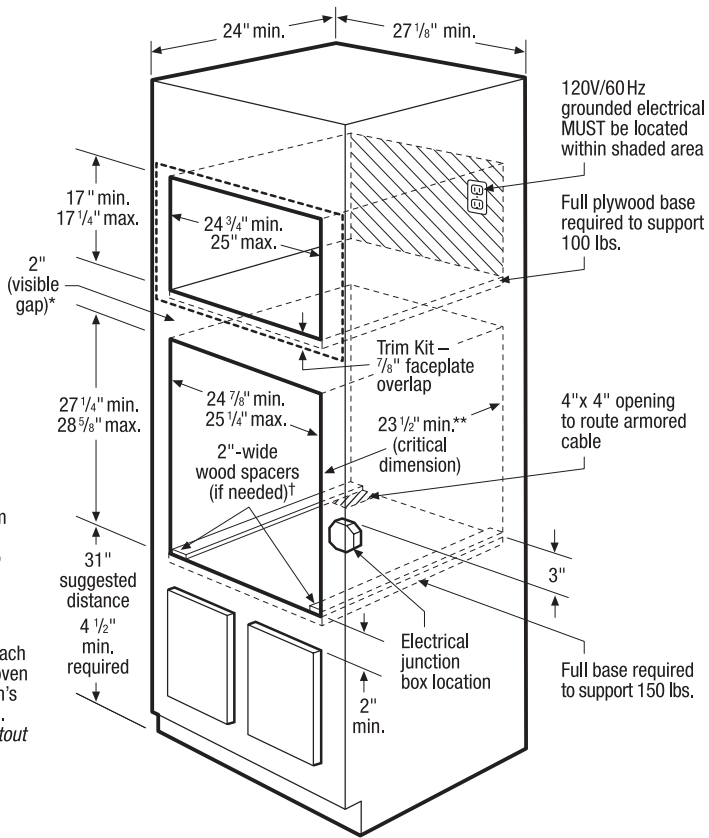
27" Built-In Microwave Cutout

For Frigidaire® model with 27" Trim Kit: FFM01611L

27" Electric Single Wall Oven Cutout

For all 27" Frigidaire® models (excluding model GLEB27Z7H)

- * Minimum 2 7/8" clearance required from bottom of Built-In Microwave cutout to top edge of Wall Oven's faceplate, leaving a 2" visible gap between both product faceplates.
- ** Critical dimension – MUST be applied
- † For cutout height greater than 28 1/8", add one 2"-wide wood shim of appropriate height to each side of opening under oven side rails. Lifting oven will hide larger cutout opening at top and oven's 1"-high bottom trim will hide shims at bottom. (Optional 3"-high bottom trim available for cutout height greater than 28 5/8".)



27" Combination Installation Specifications

- Always consult local and national electric codes. (Refer to product-specific electrical specifications on this page.)
- Minimum 23-1/2" deep cutout dimension is critical for proper combination installation, to ensure that each built-in product's faceplate will fit flush against cabinet front.
- Bases must be level and cabinet front must be square.
- Minimum 4-1/2" required distance from bottom of Wall Oven cutout to floor, 31" suggested.
- Respect critical dimensions as noted for proper installation of built-in products.
- Minimum 21" clearance needed for Wall Oven door depth when open.

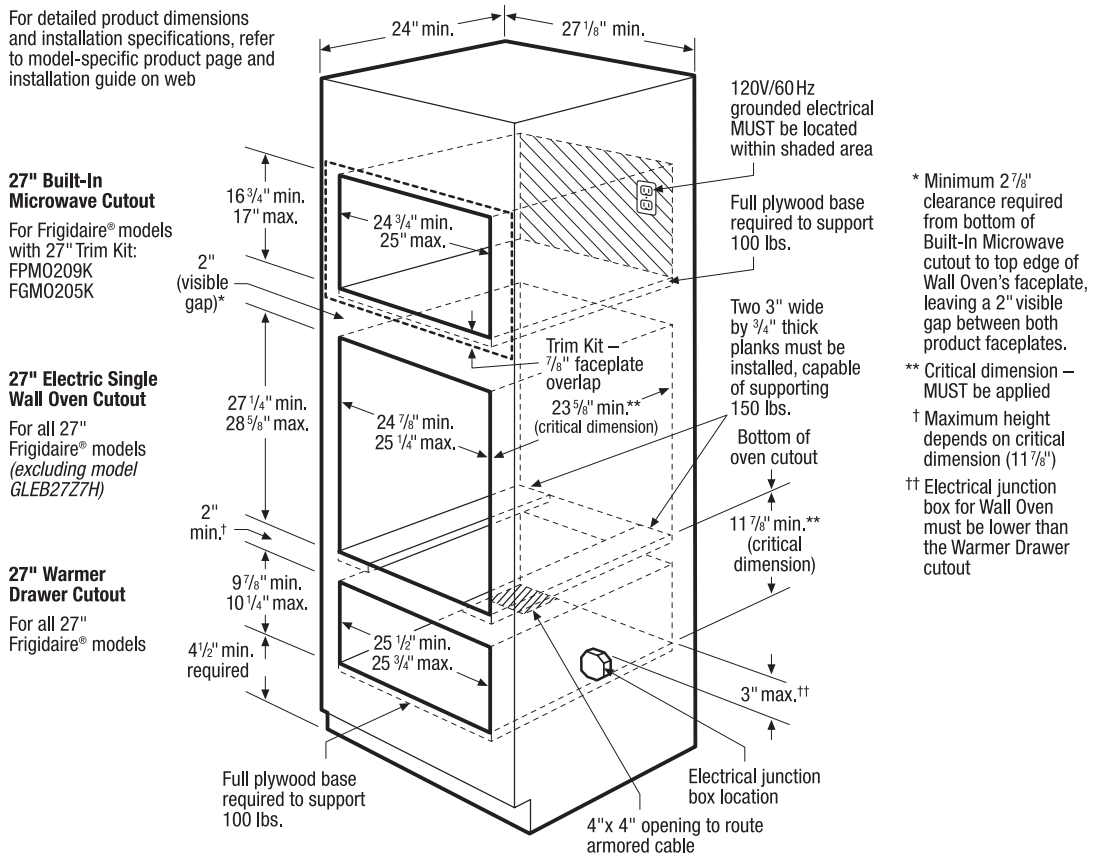
27" Built-In Microwave Specifications

- For built-in installation, microwave MUST be installed with optional 27" Trim Kit which includes Bottom Duct Assembly – shipped in separate box, ordered by individual part number.
- Voltage Rating – 120V / 60 Hz / 15 or 20 Amps
- Connected Load (kW Rating) @ 120 Volts = 1.55 kW (For use on adequately wired 120V, dedicated circuit having 2-wire service with a separate ground wire. Appliance must be grounded for safe operation.)
- Amps @ 120 Volts = 13 Amps
- Full oven base of solid plywood or similar material required, capable of supporting 100 Lbs.
- Minimum 2-7/8" clearance required from bottom of Built-In Microwave cutout to top edge of Wall Oven's faceplate, leaving a 2" visible gap between both product faceplates.

27" Electric Single Wall Oven Specifications

- Single phase 3- or 4-wire cable, 120/240 or 120/208 Volt, 60 Hertz AC only electrical supply with ground required on separate circuit fused on both sides of line.
- For detailed electrical requirements, refer to model-specific product page and installation guide on web.
- Full oven base of solid plywood or similar material required, capable of supporting 150 Lbs.
- To adapt oven to fit cutout height greater than 28-1/8", add one 2"-wide wood shim of appropriate height to each side of opening under oven side rails. Lifting oven will hide larger cutout opening at top and oven's 1"-high bottom trim will hide shims at bottom. (Standard 1"- High Bottom Trim included.)
- To adapt oven to fit cutout height greater than 28-5/8", optional 3"- High Bottom Trim available.

Note: For planning purposes only. Refer to Product Installation Guide on the web at frigidaire.com for detailed instructions.



27" Combination Installation Specifications

- Always consult local and national electric codes. (Refer to product-specific electrical specifications on this page.)
- Minimum 23-5/8" deep cutout dimension is critical for proper combination installation, to ensure that each built-in product's faceplate will fit flush against cabinet front.
- Bases must be level and cabinet front must be square.
- Minimum 4-1/2" required distance from bottom of Warmer Drawer cutout to floor.
- Respect critical dimensions as noted for proper installation of built-in products.
- Minimum 21" clearance needed for Wall Oven door depth when open.

27" Built-In Microwave Specifications

- For built-in installation, microwave MUST be installed with optional 27" Trim Kit which includes Bottom Duct Assembly - shipped in separate box, ordered by individual part number.
- Voltage Rating - 120V / 60 Hz / 15 or 20 Amps
- Connected Load (kW Rating) @ 120 Volts = 1.7 kW (For use on adequately wired 120V, dedicated circuit having 2-wire service with a separate ground wire. Appliance must be grounded for safe operation.)
- Amps @ 120 Volts = 14.3 Amps
- Full oven base of solid plywood or similar material required, capable of supporting 100 Lbs.
- Minimum 2-7/8" clearance required from bottom of Built-In Microwave cutout to top edge of Wall Oven's faceplate, leaving a 2" visible gap between both product faceplates.

27" Electric Single Wall Oven Specifications

- Single phase 3- or 4-wire cable, 120/240 or 120/208 Volt, 60 Hertz AC only electrical supply with ground required on separate circuit fused on both sides of line.
- For detailed electrical requirements, refer to model-specific product page and installation guide on web.
- To support Wall Oven when using in combination with Warmer Drawer, two 3"-wide x 3/4"-thick planks must be installed as a base, capable of supporting 150 Lbs. Do NOT use full base, since planks are necessary to allow for proper air displacement.

27" Warmer Drawer Specifications

- Voltage Rating - 120V / 450W / 60 Hz / 15 Amps
- Connected Load (kW Rating) @ 120 Volts = 0.5 kW (For use on adequately wired 120V, dedicated circuit having 2-wire service with a separate ground wire. Appliance must be grounded for safe operation.)
- Amps @ 120V = 3.8 Amps
- Full base of solid plywood or similar material required, capable of supporting 100 Lbs.

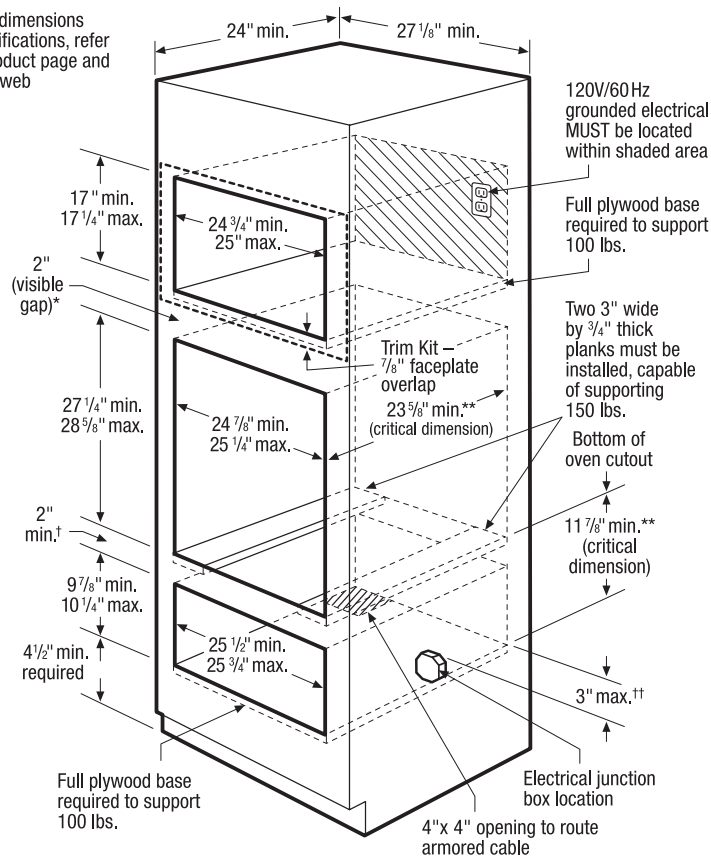
Note: For planning purposes only. Refer to Product Installation Guide on the web at frigidaire.com for detailed instructions.

For detailed product dimensions and installation specifications, refer to model-specific product page and installation guide on web

27" Built-In Microwave Cutout
For Frigidaire® model with 27" Trim Kit: FFM01611L

27" Electric Single Wall Oven Cutout
For all 27" Frigidaire® models (excluding model GLEB27Z7H)

27" Warmer Drawer Cutout
For all 27" Frigidaire® models



* Minimum 2 7/8" clearance required from bottom of Built-In Microwave cutout to top edge of Wall Oven's faceplate, leaving a 2" visible gap between both product faceplates.

** Critical dimension – MUST be applied

† Maximum height depends on critical dimension (11 7/8")

†† Electrical junction box for Wall Oven must be lower than the Warmer Drawer cutout

27" Combination Installation Specifications

- Always consult local and national electric codes. (Refer to product-specific electrical specifications on this page.)
- Minimum 23-5/8" deep cutout dimension is critical for proper combination installation, to ensure that each built-in product's faceplate will fit flush against cabinet front.
- Bases must be level and cabinet front must be square.
- Minimum 4-1/2" required distance from bottom of Warmer Drawer cutout to floor.
- Respect critical dimensions as noted for proper installation of built-in products.
- Minimum 21" clearance needed for Wall Oven door depth when open.

27" Built-In Microwave Specifications

- For built-in installation, microwave MUST be installed with optional 27" Trim Kit which includes Bottom Duct Assembly – shipped in separate box, ordered by individual part number.
- Voltage Rating - 120V / 60 Hz / 15 or 20 Amps
- Connected Load (kW Rating) @ 120 Volts = 1.55 kW (For use on adequately wired 120V, dedicated circuit having 2-wire service with a separate ground wire. Appliance must be grounded for safe operation.)
- Amps @ 120 Volts = 13 Amps
- Full oven base of solid plywood or similar material required, capable of supporting 100 Lbs.
- Minimum 2-7/8" clearance required from bottom of Built-In Microwave cutout to top edge of Wall Oven's faceplate, leaving a 2" visible gap between both product faceplates.

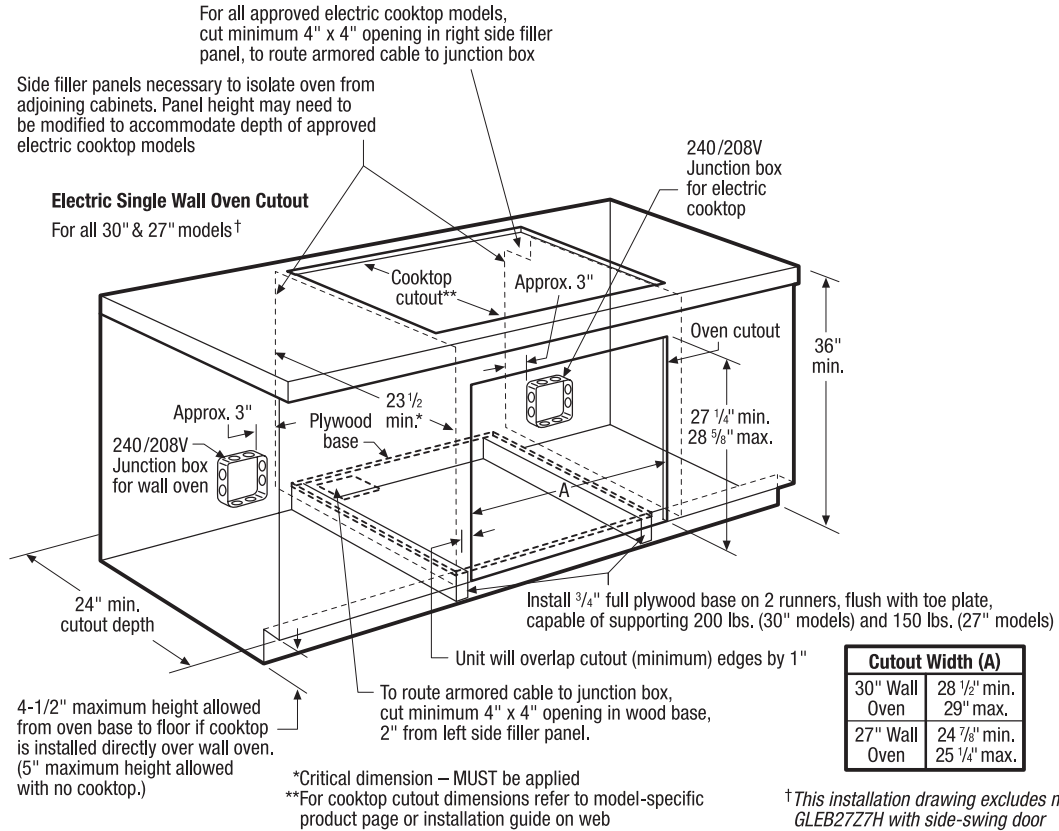
27" Electric Single Wall Oven Specifications

- Single phase 3- or 4-wire cable, 120/240 or 120/208 Volt, 60 Hertz AC only electrical supply with ground required on separate circuit fused on both sides of line.
- For detailed electrical requirements, refer to model-specific product page and installation guide on web.
- To support Wall Oven when using in combination with Warmer Drawer, two 3"-wide x 3/4"-thick planks must be installed as a base, capable of supporting 150 Lbs. Do NOT use full base, since planks are necessary to allow for proper air displacement.

27" Warmer Drawer Specifications

- Voltage Rating - 120V / 450W / 60 Hz / 15 Amps
- Connected Load (kW Rating) @ 120 Volts = 0.5 kW (For use on adequately wired 120V, dedicated circuit having 2-wire service with a separate ground wire. Appliance must be grounded for safe operation.)
- Amps @ 120V = 3.8 Amps
- Full base of solid plywood or similar material required, capable of supporting 100 Lbs.

Note: For planning purposes only. Refer to Product Installation Guide on the web at frigidaire.com for detailed instructions.



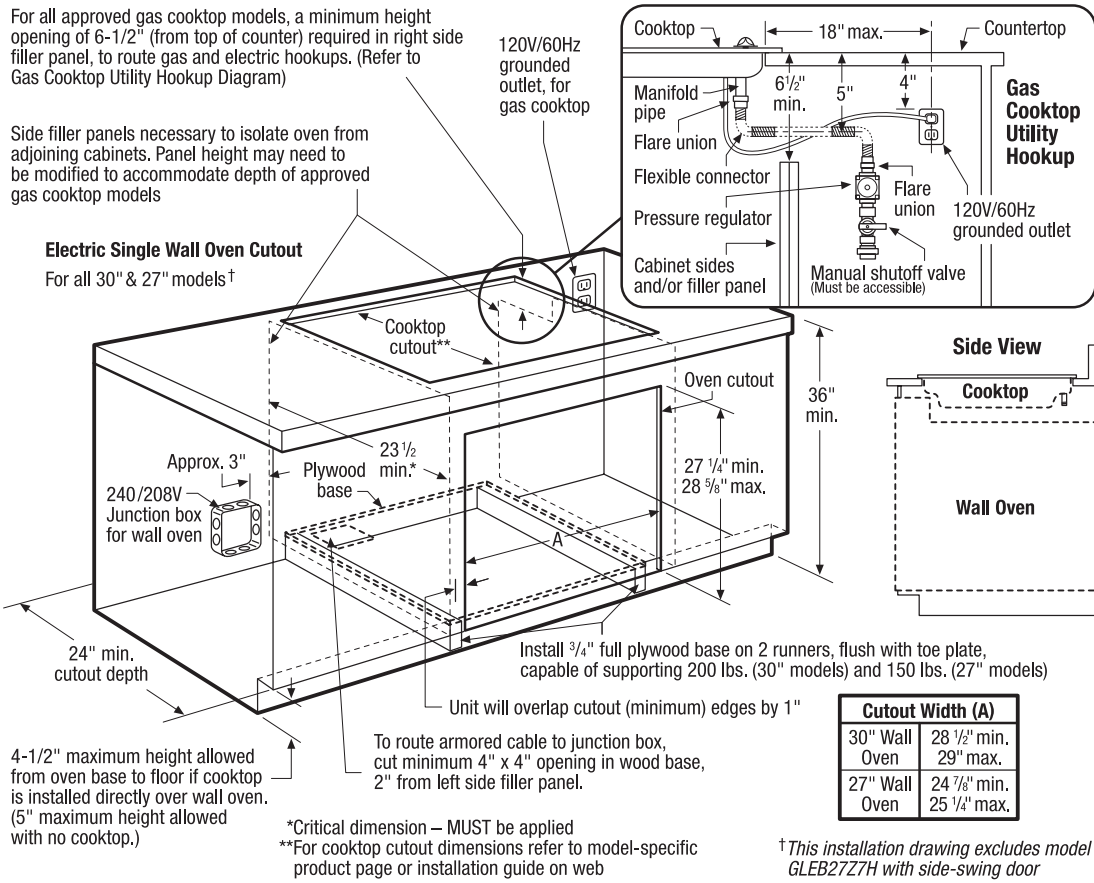
30"/27" Electric Single Wall Oven Under-Counter Installation Specifications

- Single phase 3- or 4-wire cable, 120/240 or 120/208 Volt, 60 Hertz AC only electrical supply with ground required on separate circuit fused on both sides of line.
- For detailed electrical requirements, refer to model-specific product page and installation guide on web.
- Always consult local and national electric codes.
- Minimum 21" clearance for oven door depth when open.
- Minimum 23-1/2" deep cutout dimension is critical for proper installation, to ensure that oven's faceplate will fit flush against cabinet front.
- Side filler panels necessary to isolate oven from adjoining cabinets.
- Full oven base of solid plywood or similar material required, capable of supporting 200 Lbs. (30" models) or 150 Lbs. (27" models). Install over two runners and flush with toe plate.
- Base must be level and cabinet front must be square.
- Allow 5" maximum height from oven base to floor, if NO cooktop is installed directly over wall oven.

Electric Cooktop Installation Over 30"/27" Electric Single Wall Oven Specifications

- All Frigidaire® Electric Single Wall Ovens are approved to be used beneath any approved Frigidaire® Electric Cooktop. (This installation page excludes approved wall oven model GLEB27Z7H. For model-specific installation details, refer to Electric Cooktop Installation Over 27" Electric Single Wall Oven GLEB27Z7H Specifications pages on web.)
- For detailed Electric Cooktop installation, refer to model-specific product page and installation guide on web.
- Side filler panel height may need to be modified to accommodate the depth of approved electric cooktop models.
 - To route armored cable to junction box, cut minimum 4" x 4" opening in right side filler panel.
 - Allow 4-1/2" maximum height from oven base to floor, if cooktop is installed directly over wall oven.

Note: For planning purposes only. Refer to Product Installation Guide on the web at frigidaire.com for detailed instructions.



30"/27" Electric Single Wall Oven Under-Counter Installation Specifications

- Single phase 3- or 4-wire cable, 120/240 or 120/208 Volt, 60 Hertz AC only electrical supply with ground required on separate circuit fused on both sides of line.
- For detailed electrical requirements, refer to model-specific product page and installation guide on web.
- Always consult local and national electric codes.
- Minimum 21" clearance for oven door depth when open.
- Minimum 23-1/2" deep cutout dimension is critical for proper installation, to ensure that oven's faceplate will fit flush against cabinet front.
- Side filler panels necessary to isolate oven from adjoining cabinets.
- Full oven base of solid plywood or similar material required, capable of supporting 200 Lbs. (30" models) or 150 Lbs. (27" models). Install over two runners and flush with toe plate.
- Base must be level and cabinet front must be square.
- Allow 5" maximum height from oven base to floor, if NO cooktop is installed directly over wall oven.

Gas Cooktop Installation Over 30"/27" Electric Single Wall Oven Specifications

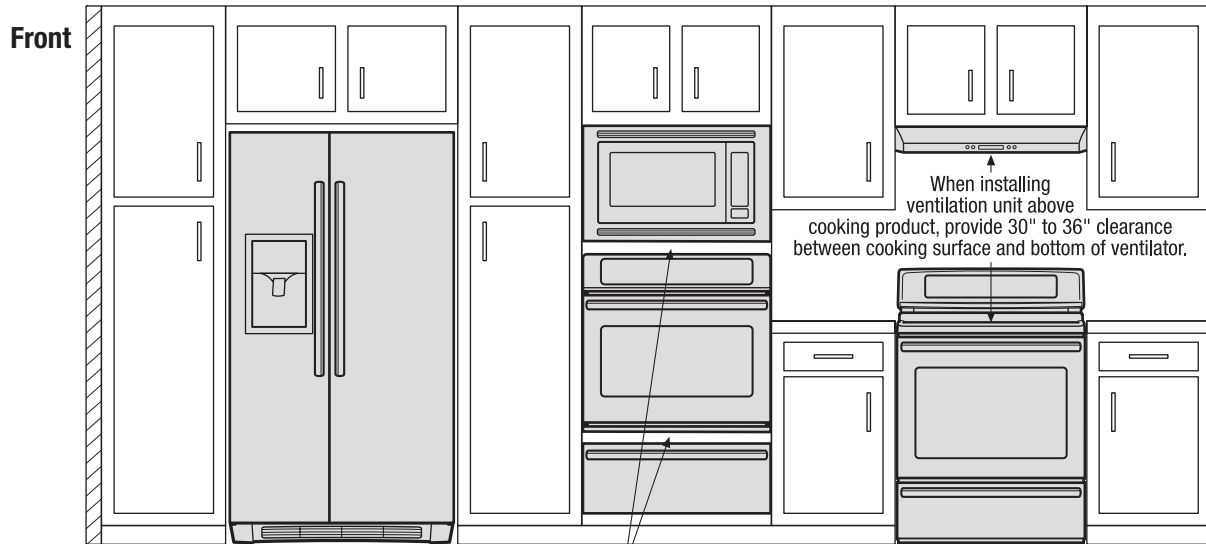
All Frigidaire® Electric Single Wall Ovens are approved to be used beneath any approved Frigidaire® Gas Cooktop. (This installation page excludes approved wall oven model GLEB27Z7H. For model-specific installation details, refer to Gas Cooktop Installation Over 27" Electric Single Wall Oven GLEB27Z7H Specifications pages on web.)

For detailed Gas Cooktop installation, refer to model-specific product page and installation guide on web.

- Side filler panel height may need to be modified to accommodate the depth of approved gas cooktop models.
- Minimum height opening of 6-1/2" (from top of counter) required in right side filler panel, to route gas and electric hookups.
- Allow 4-1/2" maximum height from oven base to floor, if cooktop is installed directly over wall oven.

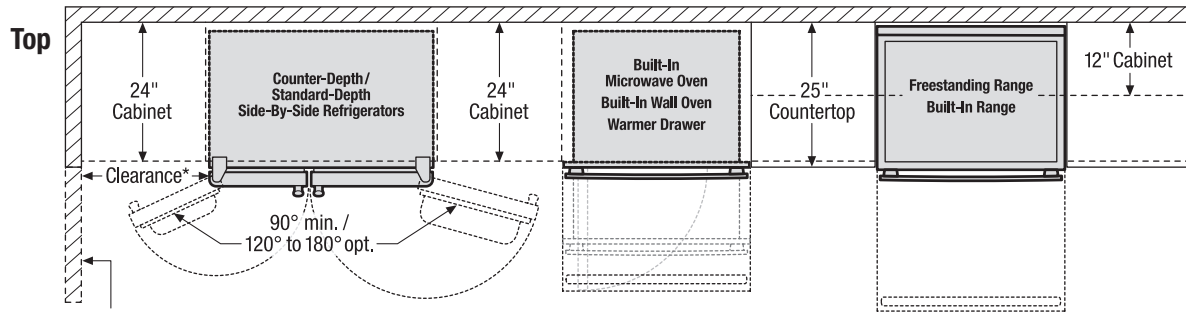
Note: For planning purposes only. Refer to Product Installation Guide on the web at frigidaire.com for detailed instructions.

Use these dimensions and clearance instructions for planning purposes only. For detailed installation instructions, refer to installation guide, packed with product, or on the web at frigidaire.com.



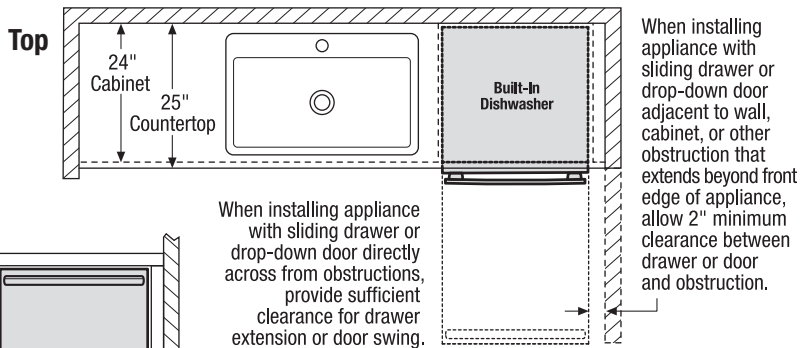
When installing built-in cooking appliances in combination, 2"-high minimum visible gap between appliance faceplates required.

Clearance information for cooking appliances, provided in specific product's installation guide.



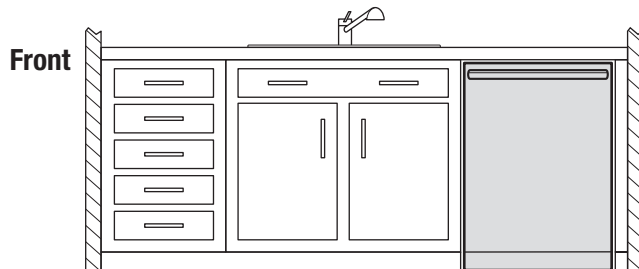
*When installing side-by-side refrigerator adjacent to wall, cabinet or another appliance that extends beyond front edge of unit, 20" minimum clearance recommended to allow for optimum 120° to 180° door swing, providing complete drawer/crisper access and removal. (Absolute 4-1/2" minimum clearance will ONLY allow for 90° door swing which will provide limited drawer/crisper access with restricted removal.)

When installing appliance with sliding drawer, swinging or drop-down door directly across from obstructions, provide sufficient clearance for drawer extension or door swings.

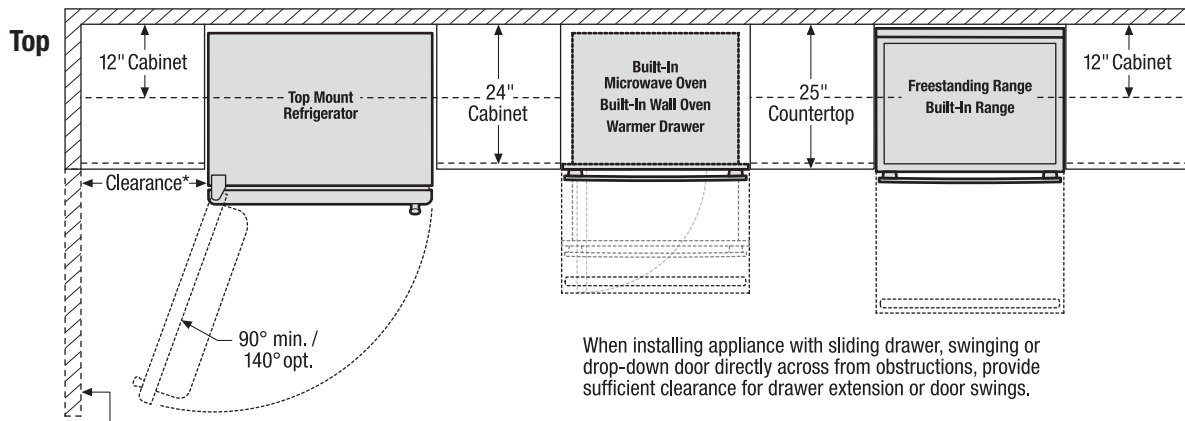
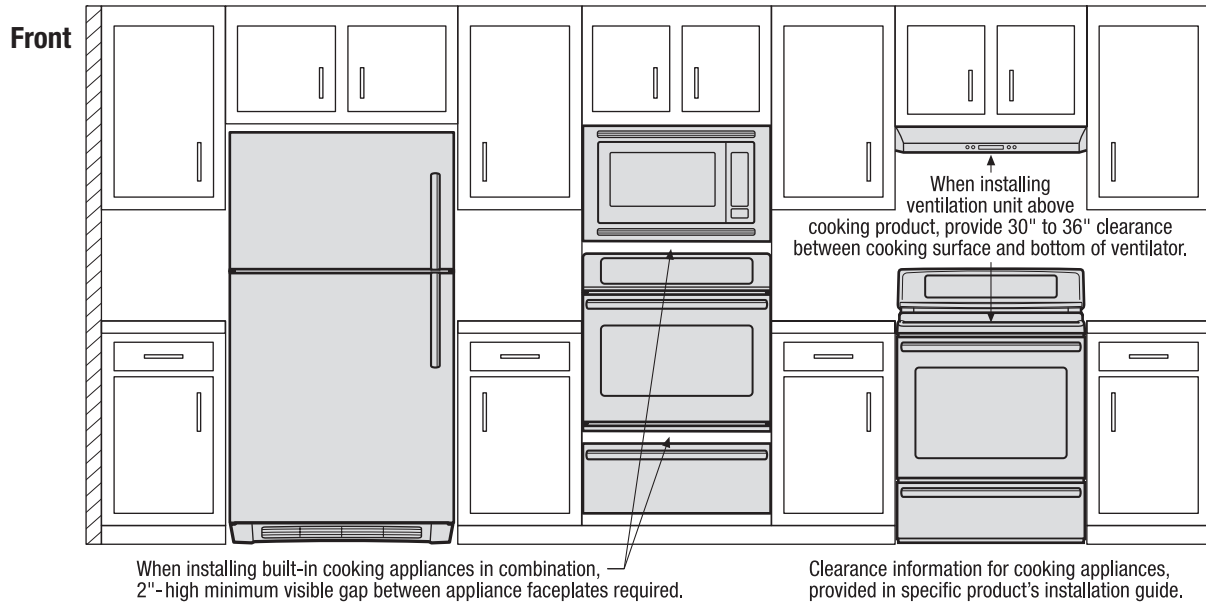


When installing appliance with sliding drawer or drop-down door directly across from obstructions, provide sufficient clearance for drawer extension or door swing.

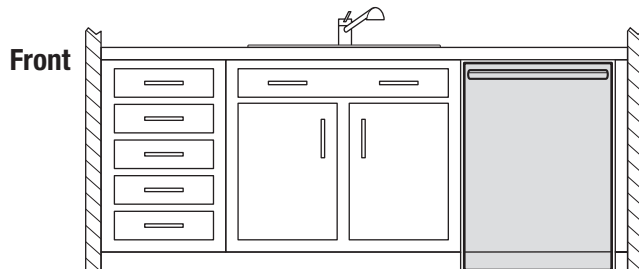
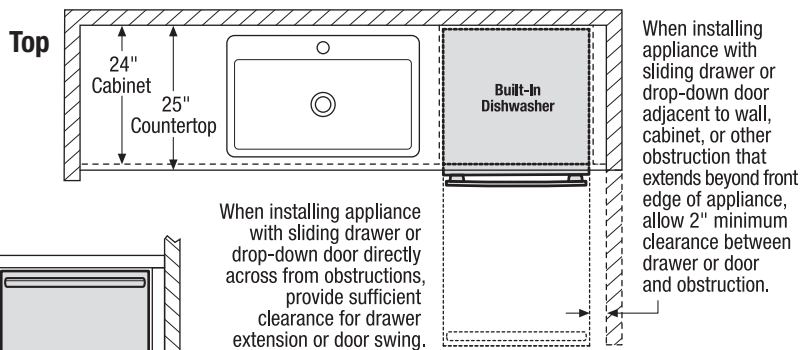
When installing appliance with sliding drawer or drop-down door adjacent to wall, cabinet, or other obstruction that extends beyond front edge of appliance, allow 2" minimum clearance between drawer or door and obstruction.



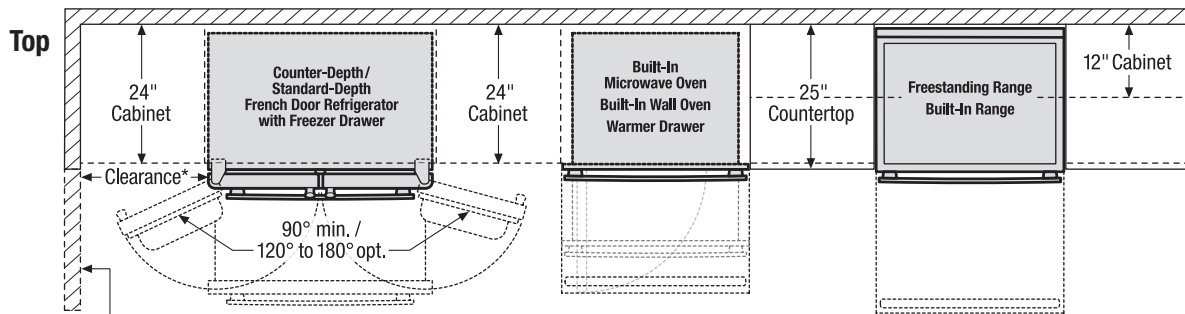
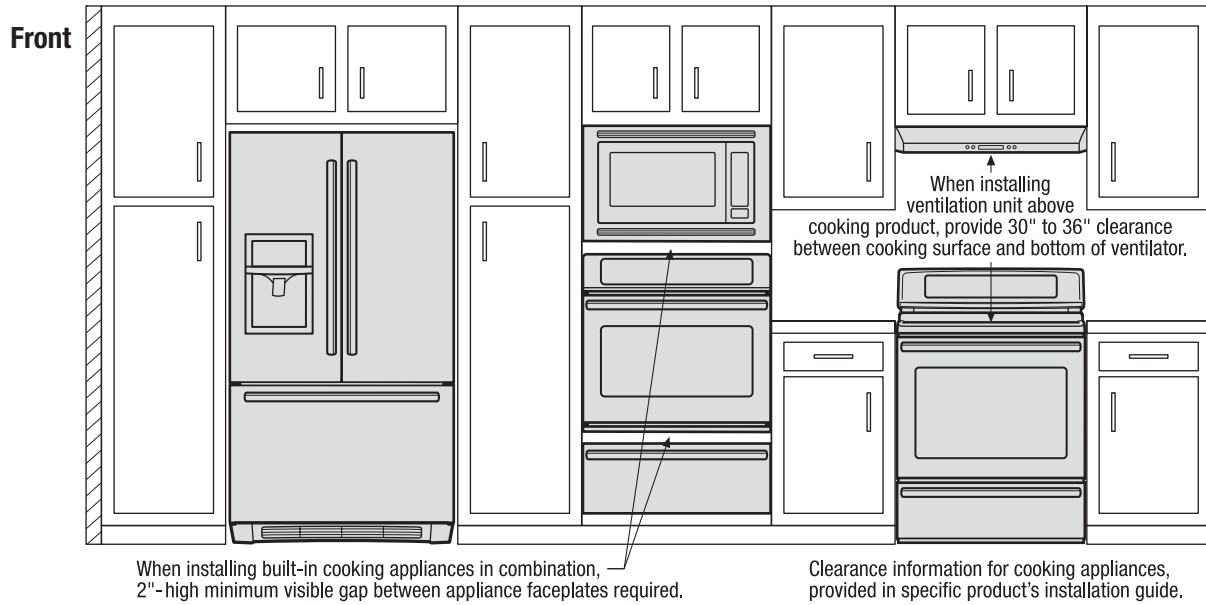
Use these dimensions and clearance instructions for planning purposes only. For detailed installation instructions, refer to installation guide, packed with product, or on the web at frigidaire.com.



*When installing top mount refrigerator adjacent to wall, cabinet or other appliance that extends beyond front edge of unit, 20" minimum clearance recommended to allow for optimum 140° door swing, providing complete crisper access and removal. (Absolute 3" minimum clearance will ONLY allow for 90° door swing which will provide limited crisper access with restricted removal.)



Use these dimensions and clearance instructions for planning purposes only. For detailed installation instructions, refer to installation guide, packed with product, or on the web at frigidaire.com.



*When installing French door refrigerator adjacent to wall, cabinet or another appliance that extends beyond front edge of unit, 20" minimum clearance recommended to allow for optimum 120° to 180° door swing, providing complete drawer/crisper access and removal. (Absolute 4-1/2" minimum clearance will ONLY allow for 90° door swing which will provide limited drawer/crisper access with restricted removal.)

When installing appliance with sliding drawer, swinging or drop-down door directly across from obstructions, provide sufficient clearance for drawer extension or door swings.

