

FRIGIDAIRE

GALLERY.



Double Wall Ovens

FGET3065K F/W/B

30" Electric



Product Dimensions

| | |
|--------|----------|
| Height | 50-7/16" |
| Width | 30" |
| Depth | 24-1/2" |

More Easy-To-Use Features

SpaceWise® Half Rack

Flexible rack system that adjusts to cook multiple dishes at once. Remove the half rack and you'll have extra height for tall dishes.

One-Touch Keep Warm Setting

Just one touch of a button keeps food warm until everything — and everyone — is ready.

Smudge-Proof Stainless Steel²

Real Stainless Steel with a protective coating reduces fingerprints and smudges so it's easy to clean.

Effortless™ Convection

Takes the guesswork out of convection cooking — our oven does the converting for you.

Even Baking Technology

Our latest technology ensures even baking every time.

Auto Oven Shut-Off

As an extra safety measure, the oven will automatically shut off after six hours.

Power Broil

Added power means you can broil food more evenly.

One-Touch Self Clean

Start the self-cleaning cycle with just the touch of a button.

Delay Start

Set your oven to begin cooking on your schedule. It can be programmed from one to 24 hours.

Sabbath Mode (Star-K® Certified)

Available in:

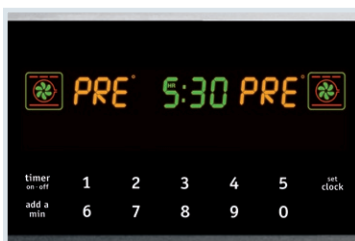


Stainless (F)

White (W)

Black (B)

Signature Features



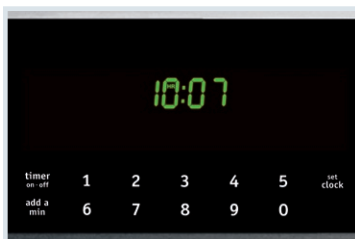
Quick Preheat

Preheat in less than six minutes.¹



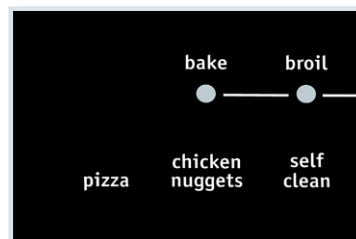
True Convection

Multi-rack baking is faster and more even with True Convection.



Express-Select® Controls

Easily set cooking temperature or choose one-touch cooking options.



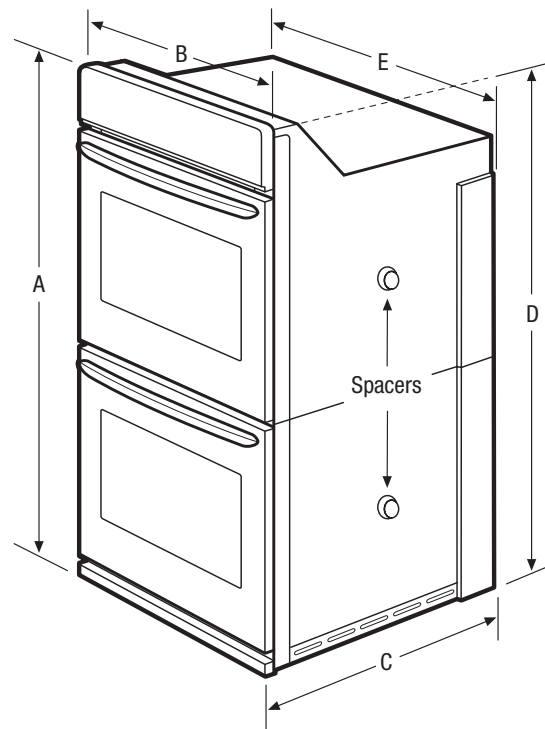
One-Touch Options

Our ovens feature easy-to-use one-touch buttons so you can cook pizza or chicken nuggets — or even add a minute to the timer — with the touch of a button.

¹Based on single rack cooking performance, not set temperature, using Quick Preheat.

²Select models only.

| Features | |
|---------------------------------------------------------------|-------------------------------------------------------------------|
| Oven Control/Timing System | Express-Select® |
| Windows | Extra-Large |
| Exterior Door Finish | Smudge-Proof Stainless Steel (F), Color-Coordinated (W/B) |
| Handle Design | Stainless Steel (F), Color-Coordinated (W/B) |
| Oven Cleaning System | Self Clean |
| Oven Controls | |
| Bake/Broil | Yes/Variable (400 - 500 °F) |
| Effortless™ Convection Conversion | Yes |
| Convection Bake/Broil/Roast | Yes/Yes/Yes |
| Oven Preheat | Quick |
| My Favorite | |
| Chicken Nugget Button | Yes |
| Pizza Button | Yes |
| Keep Warm | Yes |
| Add-a-Minute | Yes |
| Delay Start | Yes |
| Self-Clean/Clean Option | Yes/Quick |
| Delay Clean | 2, 3, 4 Hours |
| Kitchen Timer/Timed Cook Option | Yes/Yes |
| Control Lock | Yes |
| Auto Oven Shut-Off | 6 Hours |
| Oven Lock-Out | Yes |
| Upper Oven Features | |
| Capacity (Cu.Ft.) | 4.2 |
| Convection System | True Convection |
| Oven Light | 2 |
| Hidden Bake Element | Yes |
| Rack Configuration | 1 Heavy Duty, 1 SpaceWise® Half Rack, 1 Offset Rack |
| Baking System | Even Baking Technology |
| Broiling System | Power Broil |
| Bake/Broil Element (Watts) | 2,200/4,000 |
| Lower Oven Features | |
| Capacity (Cu.Ft.) | 4.2 |
| Convection System | True Convection |
| Oven Light | 2 |
| Hidden Bake Element | Yes |
| Rack Configuration | 1 Heavy Duty, 1 SpaceWise® Half Rack, 1 Offset Rack |
| Baking System | Even Baking Technology |
| Broiling System | Power Broil |
| Bake/Broil Element (Watts) | 2,200/4,000 |
| Optional Accessories | |
| 3"-High Bottom Trim - Stainless Steel (F)/White (W)/Black (B) | (F) PN# 903114-910S (W) PN# 903114-910I (B) PN# 903114-9100 |
| Certifications | |
| A.D.A. Compliant | |
| Sabbath Mode (Star-K® Certified) | Yes |
| Specifications | |
| Oven Interior (H x W x D) | 16-1/2" x 24-1/8" x 18-1/32" |
| Power Supply Connection Location | Left Bottom Rear |
| Voltage Rating | 240V/208V/60Hz |
| Connected Load (kW Rating) @ 240/208 Volts | 9.4/7.1 |
| Amps @ 240/208 Volts | 39.2/34.1 |
| Minimum Circuit Required (Amps) | 40 |
| Shipping Weight (Approx.) | 300 Lbs. |



NOTE: For planning purposes only. Always consult local and national electric codes. Refer to Product Installation Guide for detailed installation instructions on the web at frigidaire.com.



| Product Dimensions | |
|--------------------------|----------|
| A-Height | 50-7/16" |
| B-Width | 30" |
| C-Depth | 24-1/2" |
| D-Height (Wrapper) | 48-5/8" |
| E-Width (Wrapper) | 28-1/4" |
| Depth with Door Open 90° | 44-1/2" |

| Cutout Dimensions | |
|----------------------|-------------------|
| Height (Min.)/(Max.) | 48-7/8" / 49-7/8" |
| Width (Min.)/(Max.) | 28-1/2" / 29" |
| Depth (Min.) | 23-1/2" |

Accessories information available on the web at frigidaire.com

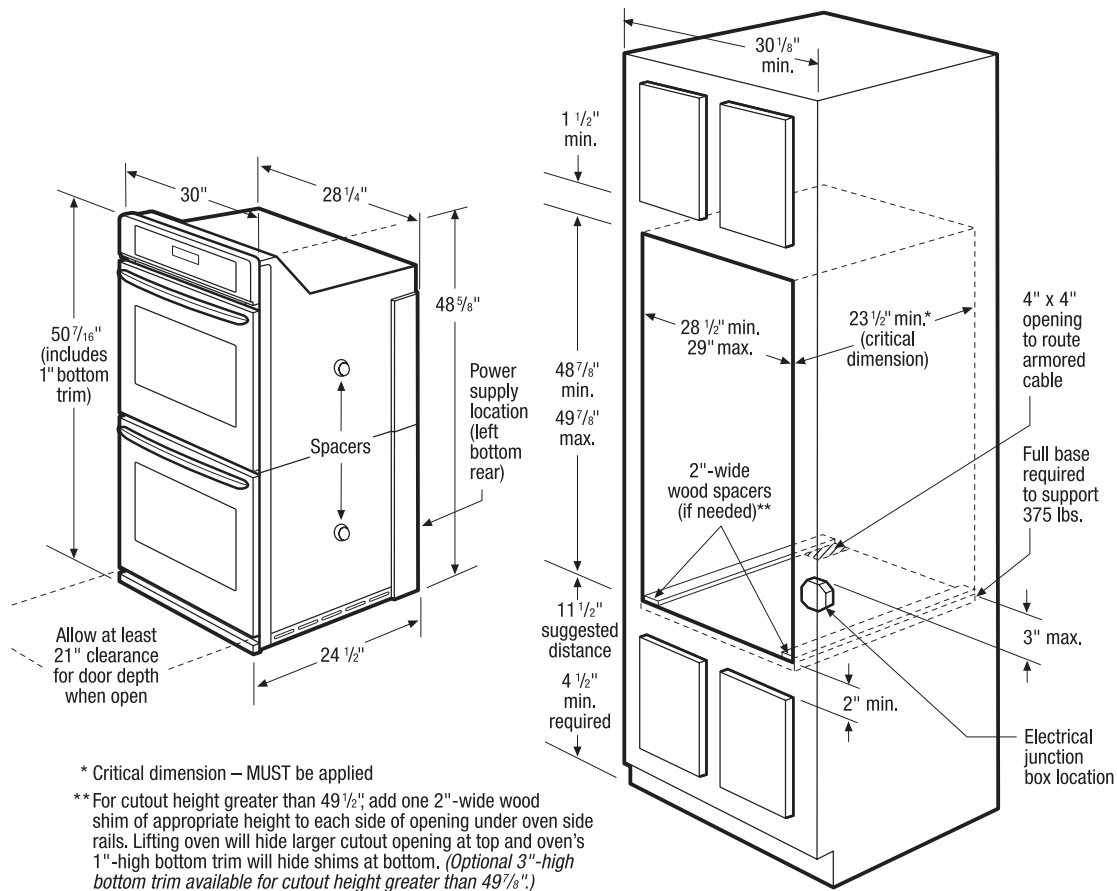
FRIGIDAIRE

USA • 10200 David Taylor Drive • Charlotte, NC 28262 • 1-800-FRIGIDAIRE • frigidaire.com
CANADA • 5855 Terry Fox Way • Mississauga, ON L5V 3E4 • 1-800-265-8352 • frigidaire.ca

FGET3065K 10/12

© 2012 Electrolux Home Products, Inc.

Specifications subject to change.



Double Wall Oven Specifications

- Product Shipping Weight (approx.) – 300 Lbs.
- Single phase 3- or 4-wire cable, 120/240 or 120/208 Volt, 60 Hertz AC only electrical supply with ground required on separate circuit fused on both sides of line.
- Connected Load (kW Rating) @ 240/208 Volts = 9.4/7.1kW
- Amps @ 240/208 Volts = 39.2/34.1 Amps
- Recommended Circuit Breaker – 40 Amps
- Always consult local and national electric codes.
- Minimum 21" clearance for oven door depth when open.
- Suggested distance from floor is 11-1/2". Minimum required distance is 4-1/2".
- Minimum 23-1/2" deep cutout dimension is critical for proper installation, to ensure that oven's faceplate will fit flush against cabinet front.
- To adapt oven to fit cutout height greater than 49-1/2", add one 2"-wide wood shim of appropriate height to each side of opening under oven side rails. Lifting oven will hide larger cutout opening at top and oven's 1"-high bottom trim will hide shims at bottom. (Standard 1"-High Bottom Trim included.)

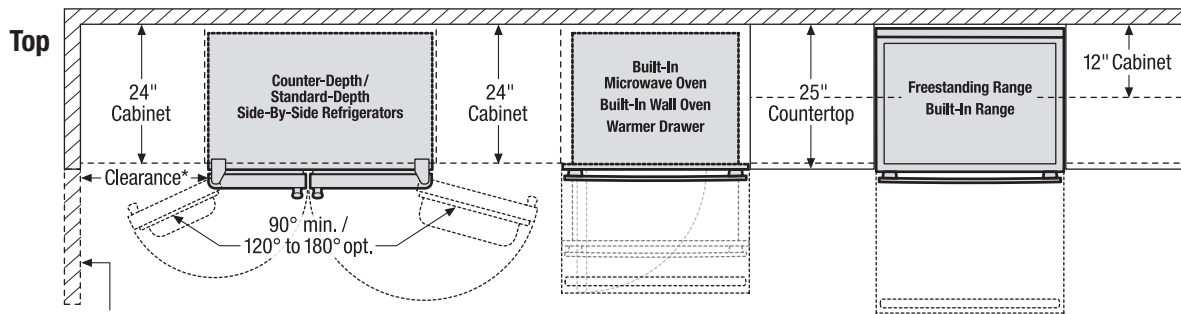
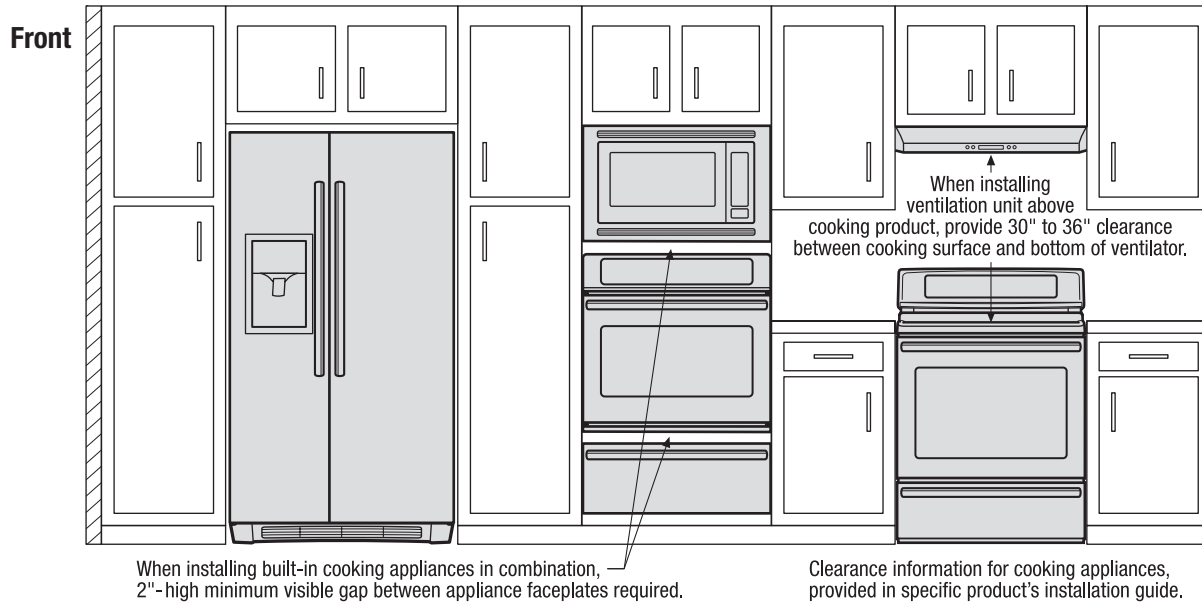
- To adapt oven to fit cutout height greater than 49-7/8", optional 3"-High Bottom Trim available.
- Full oven base of solid plywood or similar material required, capable of supporting 375 Lbs.
- Base must be level and cabinet front must be square.
- Double Wall Ovens are NOT approved to be used in stackable or side-by-side installation.

Note: For planning purposes only. Refer to Product Installation Guide on the web at frigidaire.com for detailed instructions.

Optional Accessories

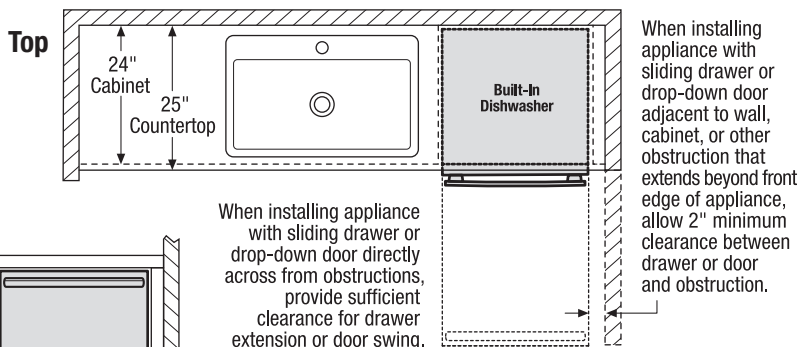
- 3"-High Stainless Steel Bottom Trim – (PN# 903114-910S).
- 3"-High White Bottom Trim – (PN# 903114-910I).
- 3"-High Black Bottom Trim – (PN# 903114-910O).

Use these dimensions and clearance instructions for planning purposes only. For detailed installation instructions, refer to installation guide, packed with product, or on the web at frigidaire.com.

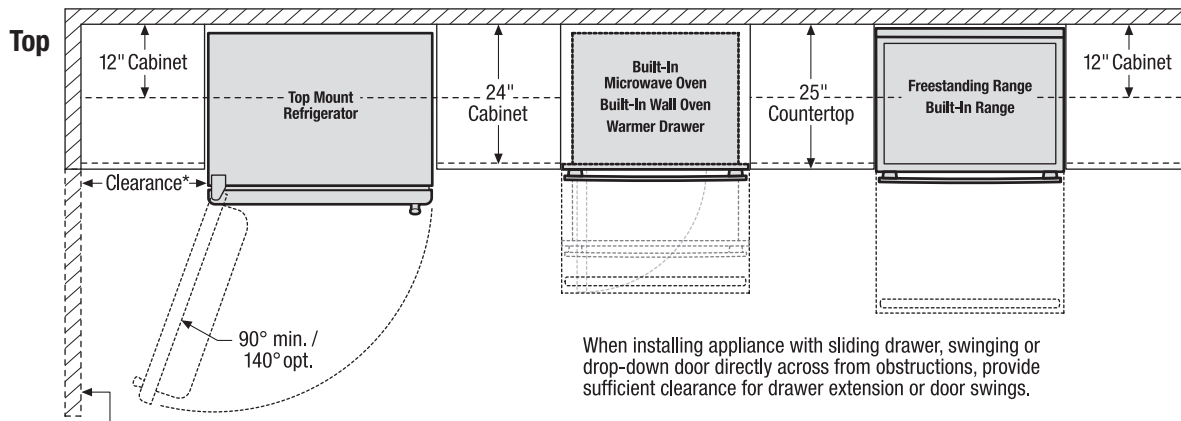
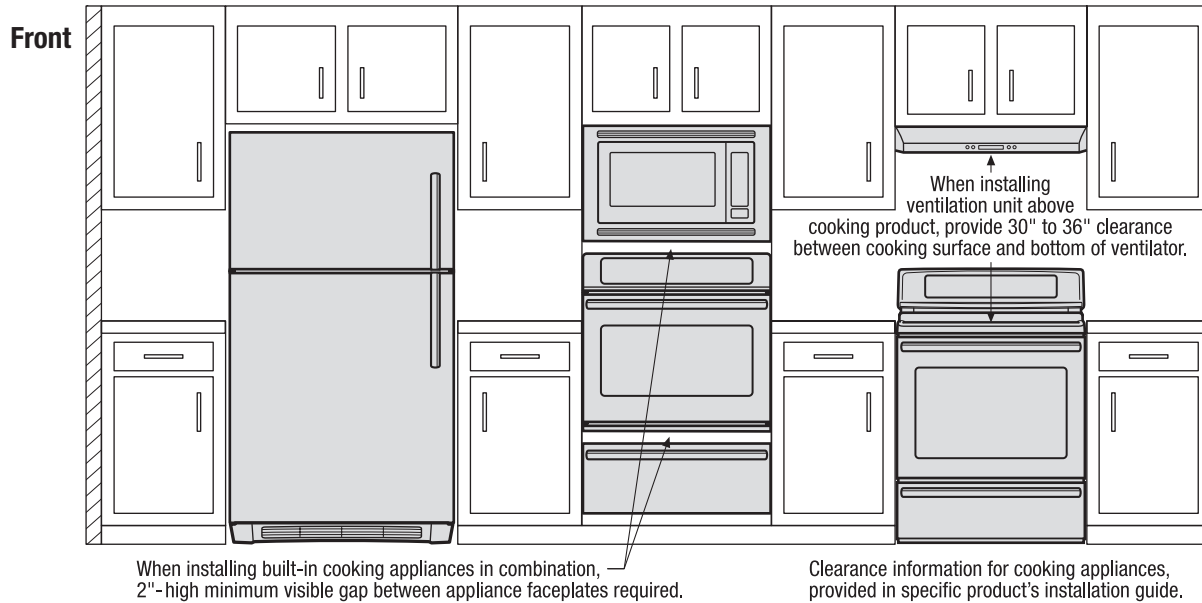


*When installing side-by-side refrigerator adjacent to wall, cabinet or another appliance that extends beyond front edge of unit, 20" minimum clearance recommended to allow for optimum 120° to 180° door swing, providing complete drawer/crisper access and removal. (Absolute 4-1/2" minimum clearance will ONLY allow for 90° door swing which will provide limited drawer/crisper access with restricted removal.)

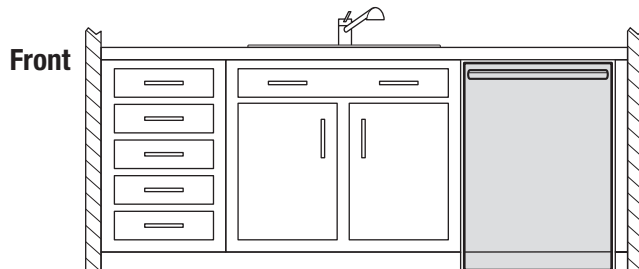
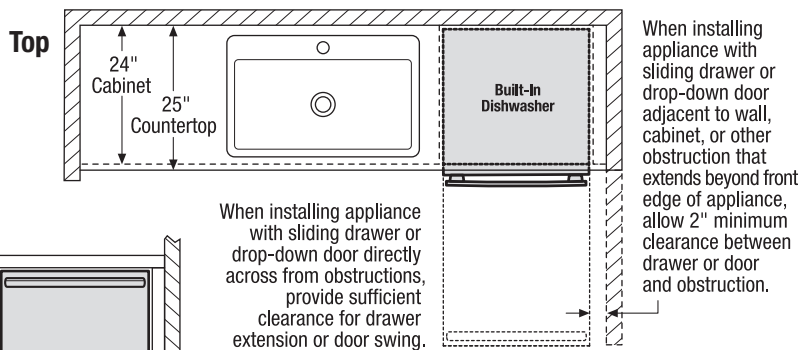
When installing appliance with sliding drawer, swinging or drop-down door directly across from obstructions, provide sufficient clearance for drawer extension or door swings.



Use these dimensions and clearance instructions for planning purposes only. For detailed installation instructions, refer to installation guide, packed with product, or on the web at frigidaire.com.

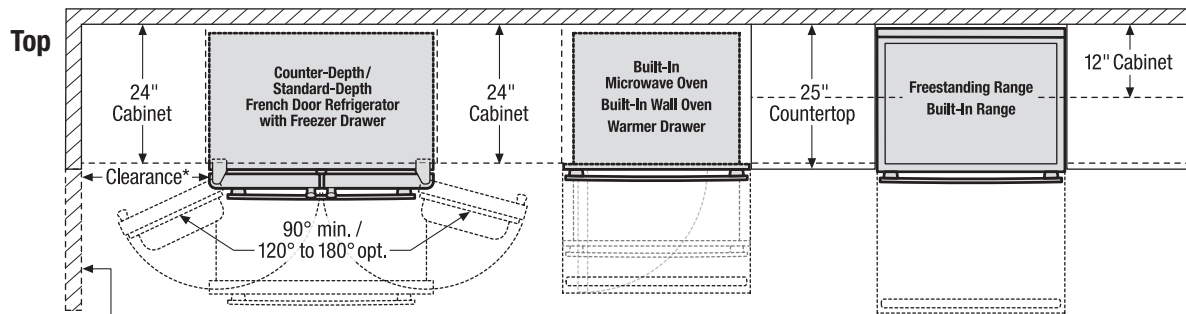
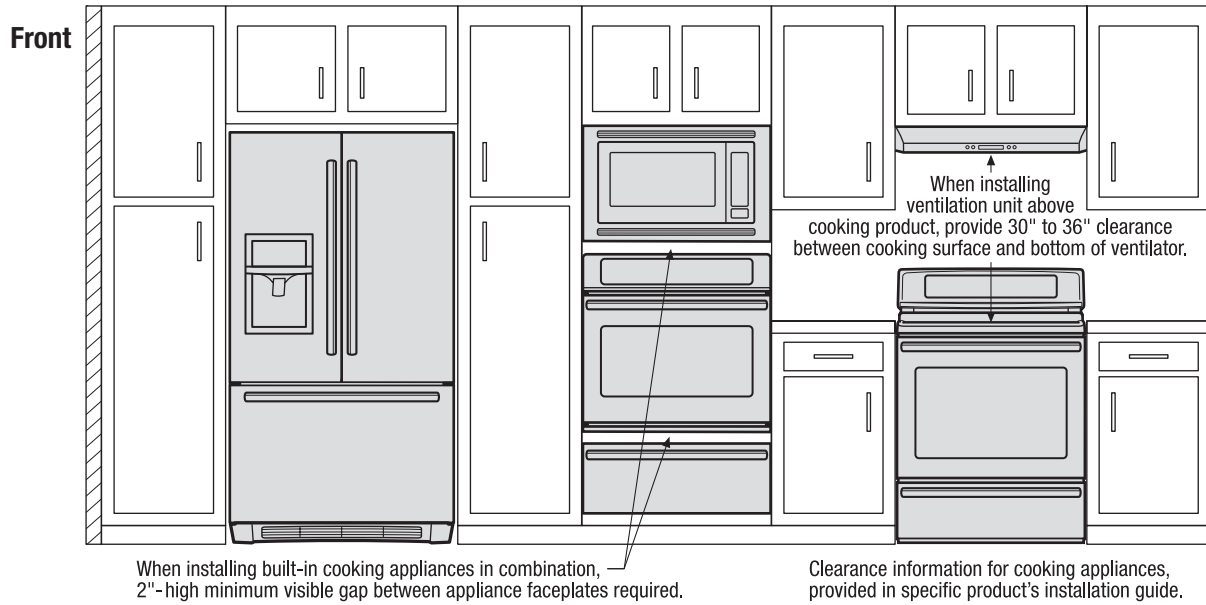


*When installing top mount refrigerator adjacent to wall, cabinet or other appliance that extends beyond front edge of unit, 20" minimum clearance recommended to allow for optimum 140° door swing, providing complete crisper access and removal. (Absolute 3" minimum clearance will ONLY allow for 90° door swing which will provide limited crisper access with restricted removal.)



When installing appliance with sliding drawer or drop-down door directly across from obstructions, provide sufficient clearance for drawer extension or door swing.

Use these dimensions and clearance instructions for planning purposes only. For detailed installation instructions, refer to installation guide, packed with product, or on the web at frigidaire.com.



*When installing French door refrigerator adjacent to wall, cabinet or another appliance that extends beyond front edge of unit, 20" minimum clearance recommended to allow for optimum 120° to 180° door swing, providing complete drawer/crisper access and removal. (Absolute 4-1/2" minimum clearance will ONLY allow for 90° door swing which will provide limited drawer/crisper access with restricted removal.)

When installing appliance with sliding drawer, swinging or drop-down door directly across from obstructions, provide sufficient clearance for drawer extension or door swings.

