



Microwaves

FFMO1611L S/W/B

22" Countertop



Shown with optional Built-In Trim Kit



Product Dimensions

Height	12-7/8"
Width	21-3/4"
Depth	18-1/2"

More Easy-To-Use Features

Extra-Large 14-1/4" Diameter Glass Turntable

10 Cooking Power Levels

Control Lock Option

Electronic Clock & Timer

Attractive Stainless Steel Exterior¹

Available in:



Stainless
(S)



White
(W)



Black
(B)

¹Select models only.

Signature Features

One-Touch Options

Our microwaves feature easy-to-use one-touch buttons so you can cook baked potatoes, popcorn, or even add 30 seconds with the touch of a button.

Multi-Stage Cooking

Our Multi-Stage Cooking option allows you to program power levels and cooking times in advance, so you can program it to defrost, cook and keep a meal warm all at once.

Ready-Select[®] Controls

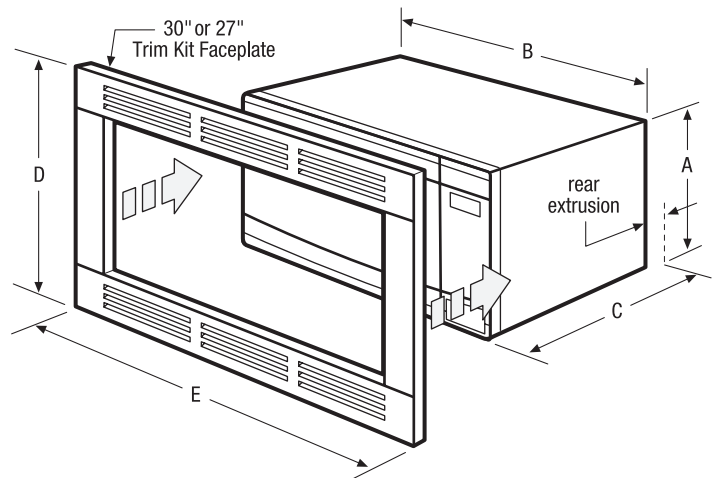
Easily select options with the touch of a button.

Sensor Cooking Options

Microwave automatically adjusts power levels and cooking times to cook a variety of items, effortlessly.

Features	
Control/ Timing System	Ready-Select®
Exterior Door Finish	Stainless Steel (S), Color-Coordinated (W/B)
Handle Design	Push Button
Microwave Features	
Microwave Capacity (Cu.Ft.)	1.6
Watts (IEC-705 Test Procedure)	1,100
Interior Light	Yes
Interior Color	White
Turntable Diameter	14-1/4"
Turntable On/Off	
Control Lock	Yes
Clock	Yes
Touch Pad Buttons	23
Power Levels	10
Accessory Metal Rack	
Microwave Control Options	
Easy-Set™ Start	Yes
Popcorn Button	Yes
Chicken Nugget Button	
Baked Potato Button	Yes
Sensor Reheat Button	Yes
Snack Button	
Beverage	
Melt & Soften Options	
Auto Reheat Options	
Snack Menu Options	
Auto Cook Options	Yes
Auto Defrost Options	Yes
Multi-Stage Cooking Option	Yes
Keep Warm	
Add-30-Seconds	Yes
Sensor Cooking Options	8
Vegetable Cook Sensor	Yes
Delay Start	
User Preferences	
Power Ratings	
Frequency (Mhz)	2,450
Watts @ 120 Volts	1,550
Amps @ 120 Volts	13.0
Optional Accessories	
30" Stainless Steel Trim Kit	PN# FFMOTK30LS
30" White Trim Kit	PN# FFMOTK30LW
30" Black Trim Kit	PN# FFMOTK30LB
27" Stainless Steel Trim Kit	PN# FFMOTK27LS
27" White Trim Kit	PN# FFMOTK27LW
27" Black Trim Kit	PN# FFMOTK27LB
Specifications	
Oven Interior (HxWxD)	10-5/16" x 17-1/4" x 15-3/8"
Power Supply Connection Location	Right Top Rear
Voltage Rating	120V/60Hz/15A
Connected Load (kW Rating) @ 120 Volts ¹	1.55
Minimum Circuit Required (Amps)	15
Shipping Weight (Approx.)	44 Lbs.

¹For use on adequately wired 120V, dedicated circuit having 2-wire service with a separate ground wire. Appliance must be grounded for safe operation.



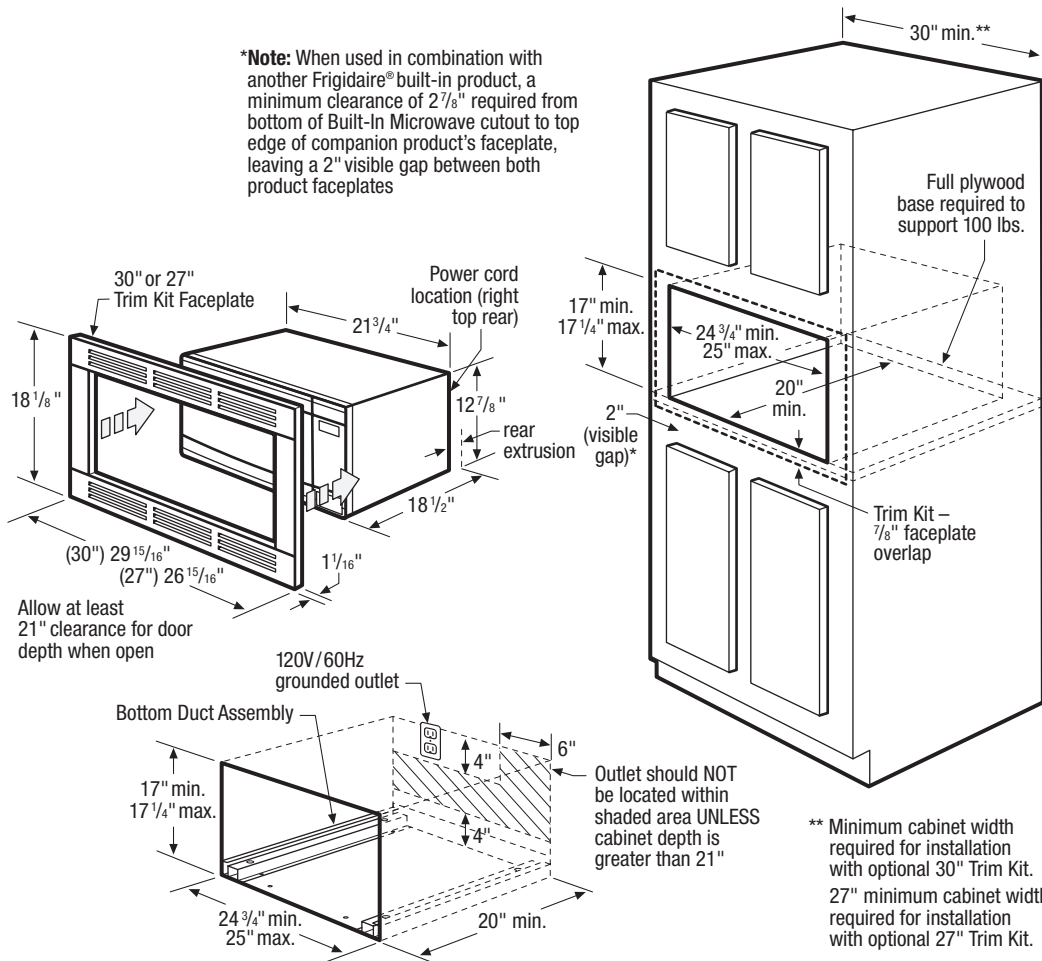
NOTE: For planning purposes only. Always consult local and national electric codes. Refer to Product Installation Guide for detailed installation instructions on the web at frigidaire.com.



Product Dimensions		Cutout Dimensions	
A - Height	12-7/8"	Height (Min.)	17"
B - Width	21-3/4"	Height (Max.)	17-1/4"
C - Depth	18-1/2"	Width (Min.)	24-3/4"
D - Height (Trim Kit Faceplate)	18-1/8"	Width (Max.)	25"
E - Width (30" Trim Kit Faceplate)	29-15/16"	Depth (Min.)	20"
E - Width (27" Trim Kit Faceplate)	26-15/16"		

Accessories information available on the web at frigidaire.com

***Note:** When used in combination with another Frigidaire® built-in product, a minimum clearance of 2⁷/₈" required from bottom of Built-In Microwave cutout to top edge of companion product's faceplate, leaving a 2" visible gap between both product faceplates



Microwave Specifications

- Product Shipping Weight (Approx.) - 44 Lbs. (not incl. Trim Kit)
- Voltage Rating - 120V/60 Hz/15 or 20 Amps
- Connected Load (kW Rating) @ 120 Volts = 1.55 kW (For use on adequately wired 120V, dedicated circuit having 2-wire service with a separate ground wire. Appliance must be grounded for safe operation.)
- Amps @ 120 Volts = 13 Amps
- Always consult local and national electric codes.
- Microwave can stand alone on countertop or be built in with optional 30" or 27" Trim Kit (ordered by individual part number) which includes Bottom Duct Assembly - shipped in separate box.
- Allow 21" minimum clearance for 90° door swing.
- Minimum 20" deep oven cutout dimension is critical for proper installation for oven and faceplate to fit flush against cabinet front.
- Consult local building code, in the event that cutout opening may be required to be enclosed with sides, ceiling and rear partition.
- Full oven base of solid plywood or similar material required, capable of supporting 100 Lbs.

- Base must be level and front of cabinet square for proper operation.
- Grounded outlet should NOT be located in shaded area, as indicated, UNLESS cabinet depth is greater than 21".
- Can NOT be installed above any gas wall oven.
- Built-In Microwave is approved to be used in combination with any Frigidaire® Electric Single Wall Oven and/or Warmer Drawer. (Refer to model-specific Combination Installation Specification pages on web.)
- When used in combination with another Frigidaire® built-in product, a minimum clearance of 2-7/8" required from bottom of Built-In Microwave cutout to top edge of companion product's faceplate, leaving a 2" visible gap between both product faceplates.

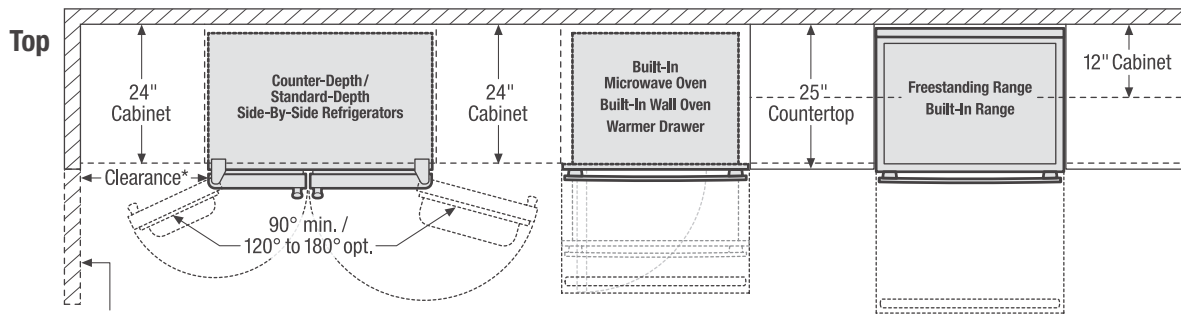
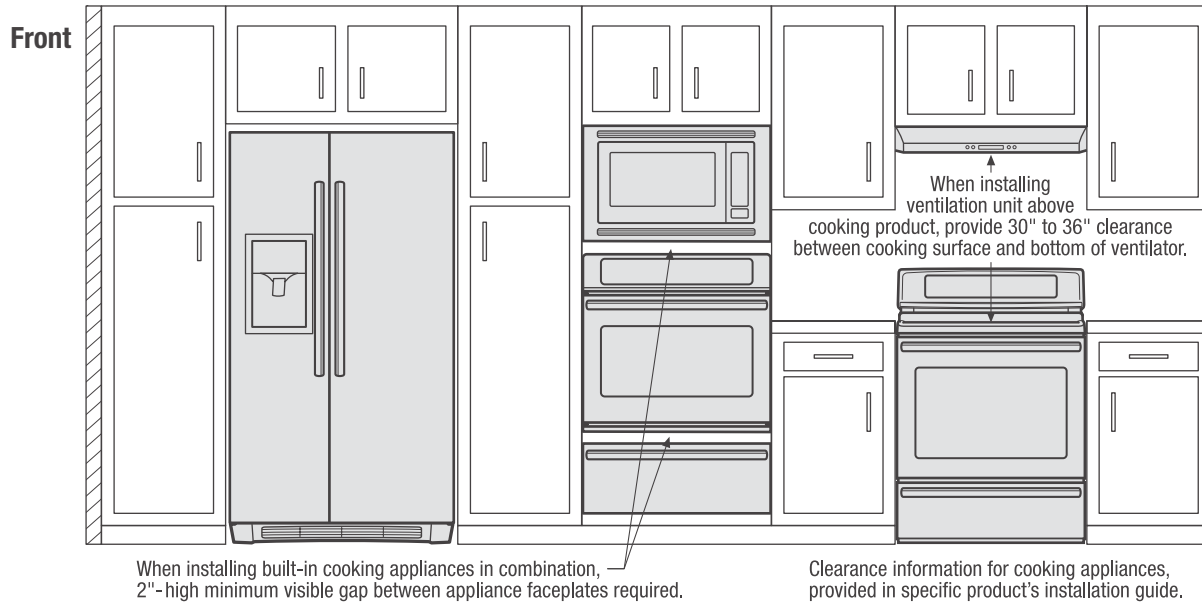
Note: For planning purposes only. Refer to Product Installation Guide on the web at frigidaire.com for detailed instructions.

Optional Accessories

- 30" Stainless Steel Trim Kit - (PN# FFMOTK30LS).
- 27" Stainless Steel Trim Kit - (PN# FFMOTK27LS).
- 30" White Trim Kit - (PN# FFMOTK30LW).
- 27" White Trim Kit - (PN# FFMOTK27LW).
- 30" Black Trim Kit - (PN# FFMOTK30LB).
- 27" Black Trim Kit - (PN# FFMOTK27LB).

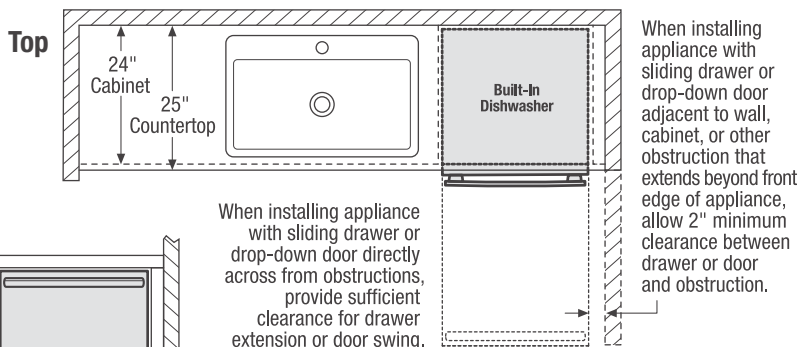


Use these dimensions and clearance instructions for planning purposes only. For detailed installation instructions, refer to installation guide, packed with product, or on the web at frigidaire.com.

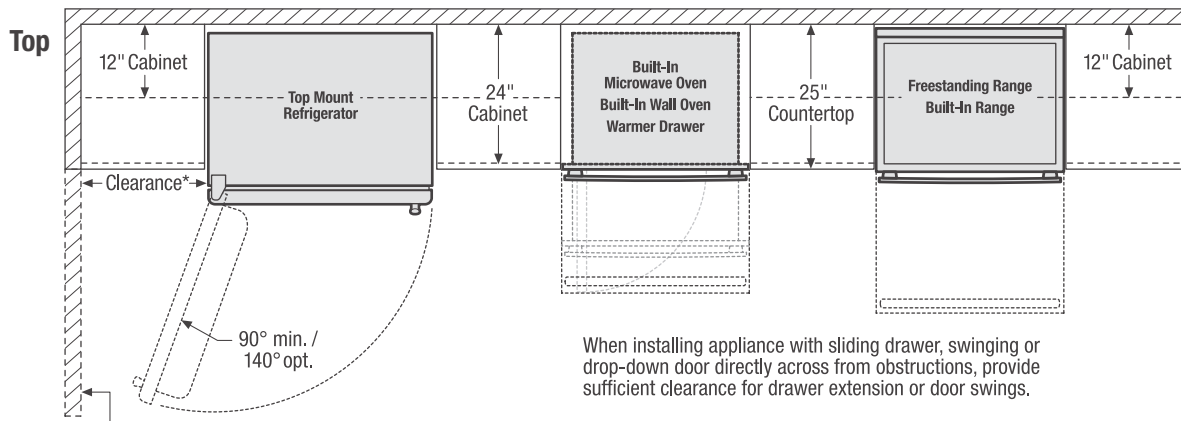
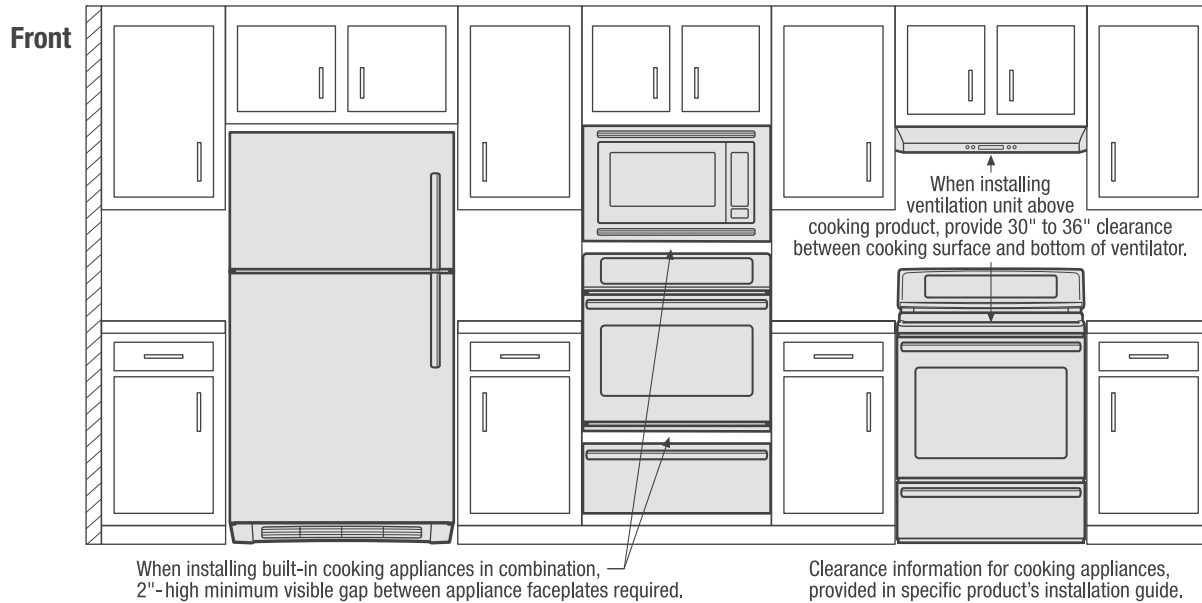


*When installing side-by-side refrigerator adjacent to wall, cabinet or another appliance that extends beyond front edge of unit, 20" minimum clearance recommended to allow for optimum 120° to 180° door swing, providing complete drawer/crisper access and removal. (Absolute 4-1/2" minimum clearance will ONLY allow for 90° door swing which will provide limited drawer/crisper access with restricted removal.)

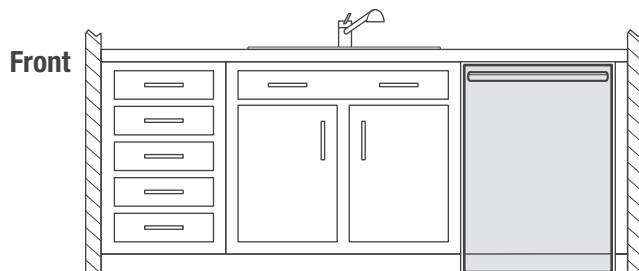
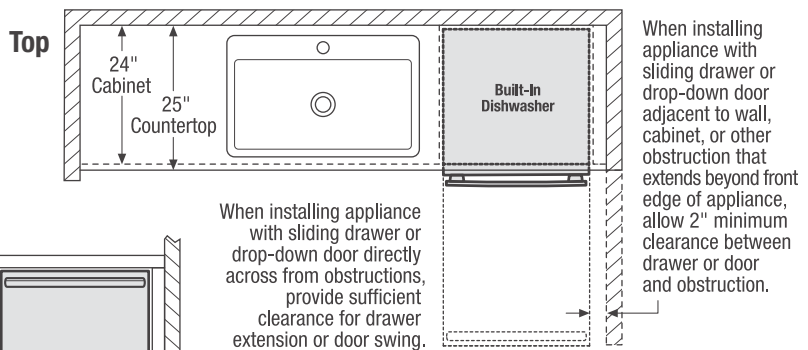
When installing appliance with sliding drawer, swinging or drop-down door directly across from obstructions, provide sufficient clearance for drawer extension or door swings.



Use these dimensions and clearance instructions for planning purposes only. For detailed installation instructions, refer to installation guide, packed with product, or on the web at frigidaire.com.

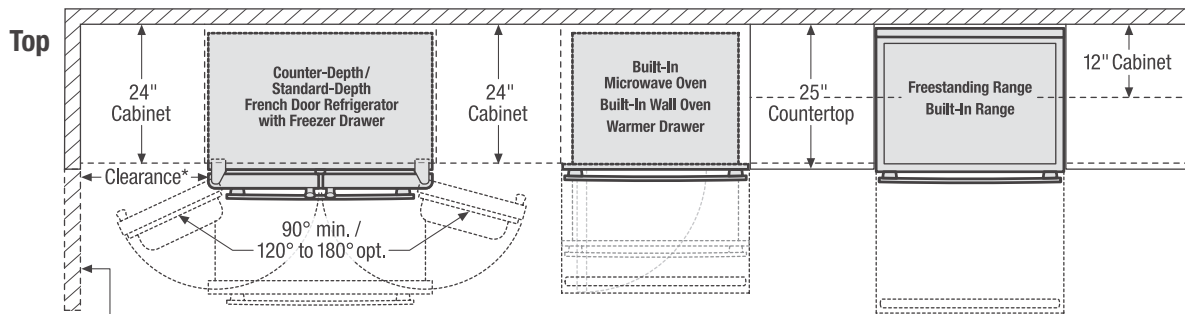
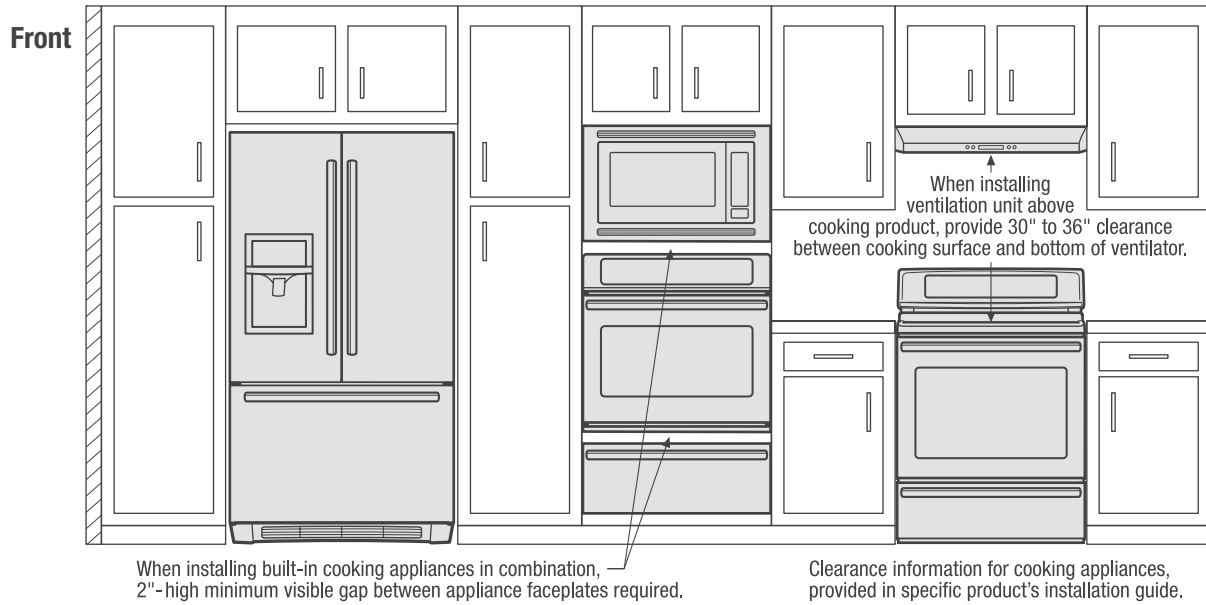


*When installing top mount refrigerator adjacent to wall, cabinet or other appliance that extends beyond front edge of unit, 20" minimum clearance recommended to allow for optimum 140° door swing, providing complete crisper access and removal. (Absolute 3" minimum clearance will ONLY allow for 90° door swing which will provide limited crisper access with restricted removal.)



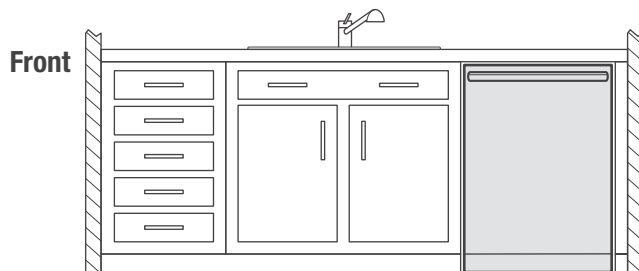
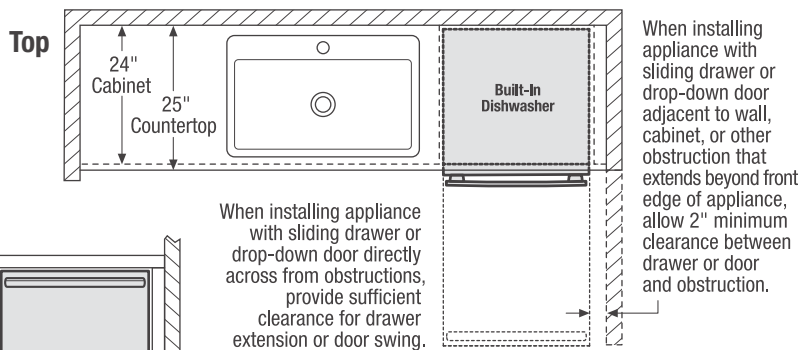
When installing appliance with sliding drawer or drop-down door directly across from obstructions, provide sufficient clearance for drawer extension or door swing.

Use these dimensions and clearance instructions for planning purposes only. For detailed installation instructions, refer to installation guide, packed with product, or on the web at frigidaire.com.



*When installing French door refrigerator adjacent to wall, cabinet or another appliance that extends beyond front edge of unit, 20" minimum clearance recommended to allow for optimum 120° to 180° door swing, providing complete drawer/crisper access and removal. (Absolute 4-1/2" minimum clearance will ONLY allow for 90° door swing which will provide limited drawer/crisper access with restricted removal.)

When installing appliance with sliding drawer, swinging or drop-down door directly across from obstructions, provide sufficient clearance for drawer extension or door swings.



Use these dimensions and clearance instructions for planning purposes only. For detailed installation instructions, refer to installation guide, packed with product, or on the web at frigidaire.com.

