



# Dishwashers

FFBD1821M S/W/B

18" Built-In



### Product Dimensions

Height (Adjustable)	32-1/2" - 34-7/8"
Width	17-5/8"
Depth (Including Door)	23"

### More Easy-To-Use Features

#### Attractive Stainless Steel Exterior<sup>1</sup>

#### Multiple Cycle Options

Features easy-to-use cleaning cycle options including China & Crystal and Heavy Wash.

#### Ready-Select<sup>®</sup> Controls

Easily select options with the touch of a button.

#### High Temperature Wash

#### Control Lock Option

#### A.D.A. Compliant

When properly installed, this model is A.D.A.-qualified based on the United States Access Board's A.D.A./A.B.A. Accessibility Guidelines and the Department of Justice's 2010 A.D.A. Standards for Accessible Design.

ENERGY STAR<sup>®</sup>  
A.D.A. Compliant



#### Available in:



Stainless  
(S)



White  
(W)



Black  
(B)

<sup>1</sup>Select model only.

## Signature Features

### Energy Saver Plus Cycle

Eco-friendly cycle uses less energy without compromising cleaning performance.

### Energy Saver Dry Option

No heat dry option.

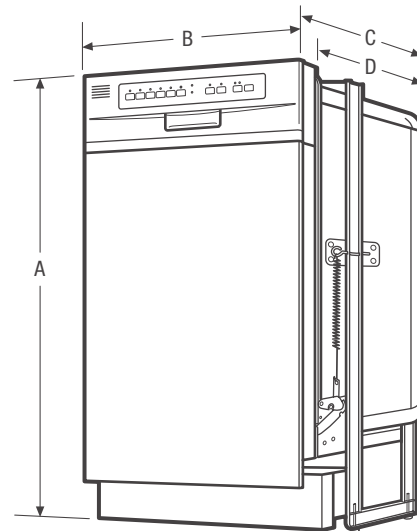
### Stainless Steel Interior

Premium stainless steel interior for maximum durability.

### Delay Start

Set your dishwasher to run on your schedule.

<b>Features</b>	
Control Design	Ready-Select*
Digital Display	
Door Latch	Pull Latch
Stay-Put Door Hinge Design	
Low Rinse-Aid Indicator Light	
Interior Design	Standard
Interior Color	Stainless Steel
Wash System	Direct Feed
Wash Levels/Wash Speeds	4/1
Sound Package	UltraQuiet™ III
Filter	Manual Clean
Filter Trap	Removable
Soft Food Disposer	
dB Level	55
Drying System	Static Vent
<b>Cycles</b>	
Number of Cycles	6
Heavy	Yes
Normal	Yes
Light	Yes
Delicate	
Favorite	
China/Crystal	Yes
Rinse Only	Yes
Energy Saver	Yes
Upper Rack Wash Only	
Cycle Indicator Light	Yes
Control Lock	Yes
<b>Options</b>	
Heat/No Heat Dry	Yes
Hi-Temp Wash	Yes
NSF® Certified Sanitize Rinse	
Delay Start	2 or 4 Hour
<b>Rack System</b>	
Rack Design/Rack Coating	Deluxe/Nylon
Upper Rack -	
Stemware/Champagne Glass Holders	
Fold-Down Tines	
Cup Shelves	
Lower Rack -	
Silverware Basket	Standard
Fold-Down Tines	
Small Items Cover	
<b>Certifications</b>	
ENERGY STAR®	Yes
A.D.A. Compliant¹	Yes
<b>Specifications</b>	
Water Inlet Location	Left Bottom Front
Water Usage (Gallons)	3.96
Water Pressure (PSI)	20 - 120
Integral Air Gap on Supply	Yes
Leveling Legs	4
Power Supply Connection Location	Right Bottom Front
Voltage Rating	120V / 60 Hz / 15A
Connected Load (kW Rating) @ 120 Volts²	1.44
Amps @ 120 Volts	8.5
Shipping Weight (Approx.)	71 Lbs.



NOTE: For planning purposes only. Always consult local and national electric and plumbing codes. Refer to Product Installation Guide for detailed installation instructions on the web at [frigidaire.com](http://frigidaire.com).



Meets requirements of ASSE 1006

Product Dimensions	
A - Height (Adjustable)	32-1/2" - 34-7/8"
B - Width	17-5/8"
C - Depth (Including Door)	23"
D - Depth (To Tub Flange)	22-1/2"
Depth with Door Open 90°	46"

Cutout Dimensions	
Height (Min.)	32-1/2" (A.D.A.¹)
Height (Max.)	35-1/4"
Width (Min.-Max.)	17-5/8"-18"
Depth (Min.)	24"

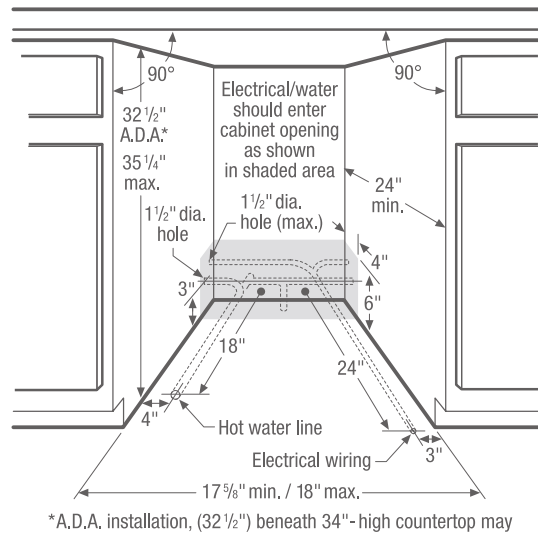
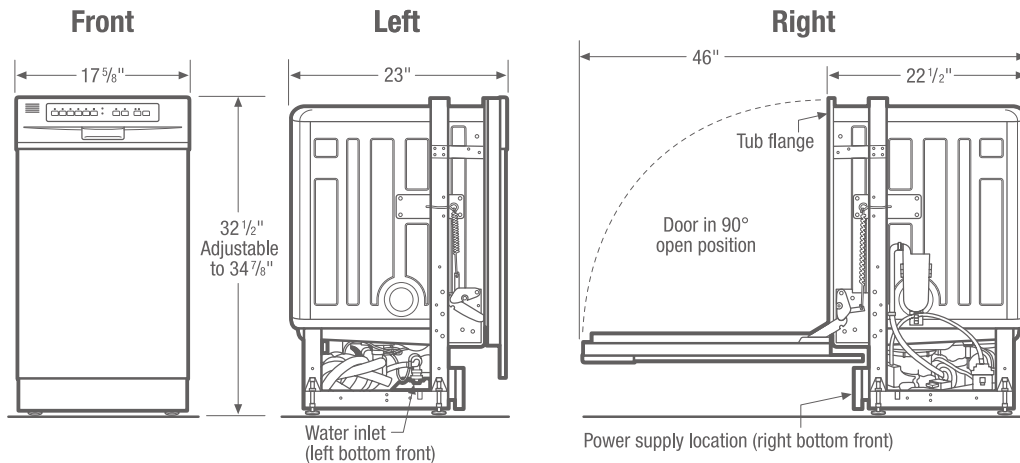
¹When properly installed, this model is A.D.A.-qualified based on the United States Access Board's A.D.A./A.B.A. Accessibility Guidelines and the Department of Justice's 2010 A.D.A. Standards for Accessible Design.

²For use on adequately wired 120V, dedicated circuit having 2-wire service with a separate ground wire. Appliance must be grounded for safe operation.

Accessories information available on the web at [frigidaire.com](http://frigidaire.com)

FRIGIDAIRE

USA • 10200 David Taylor Drive • Charlotte, NC 28262 • 1-800-FRIGIDAIRE • [frigidaire.com](http://frigidaire.com)  
 CANADA • 5855 Terry Fox Way • Mississauga, ON L5V 3E4 • 1-800-265-8352 • [frigidaire.ca](http://frigidaire.ca)



**Dishwasher Specifications**

- Product Shipping Weight (approx.) - 71 Lbs.
- Voltage Rating - 120V / 60 Hz / 15 Amps (*maximum 20 Amps if connected with disposer*)
- Connected Load (kW Rating) @ 120 Volts = 1.44 kW (For use on adequately wired 120V, dedicated circuit having 2-wire service with a separate ground wire. Appliance must be grounded for safe operation.)
- Amps @ 120V = 8.5 Amps
- Always consult local and national electric & plumbing codes. Meets requirements of ASSE 1006 – integral air gap on supply.
- Water Pressure - Hot water line to dishwasher must provide between 20 and 120 pounds per square inch (psi).
- Make sure location has right drain, water and electrical outlets to make connections.

- Keep back free of drain, water & electrical supply.
- Electrical and water supplies should enter cabinet opening on floor, or through back or side walls, as shown in shaded areas.
- Connections preferably located toward left side of dishwasher. Do not cross drain, water or electrical lines in front of motor, blower or frame.
- When installing adjacent to wall, cabinet or other obstruction that extends beyond front edge of unit, allow 2" minimum clearance between opened door and obstruction.
- When installing at end of cabinet line, sides must be fully enclosed.
- Do not install unit under a cooktop, damage will occur.

**Note:** For planning purposes only. Refer to Product Installation Guide on the web at [frigidaire.com](http://frigidaire.com) for detailed instructions.